



US00D653682S

(12) **United States Design Patent**
Herning et al.

(10) **Patent No.:** **US D653,682 S**

(45) **Date of Patent:** **** Feb. 7, 2012**

(54) **ICE MACHINE**

(75) Inventors: **Steven D. Herning**, Marinette, WI (US);
Marty J. Lafond, Algoma, WI (US);
William E. Olson, Jr., Bellevue, WI
(US); **John T. Sara, III**, Cedarburg, WI
(US)

(73) Assignee: **Manitowoc Foodservice Companies,**
LLC, Manitowoc, WI (US)

(**) Term: **14 Years**

(21) Appl. No.: **29/385,247**

(22) Filed: **Feb. 10, 2011**

(51) **LOC (9) Cl.** **15-07**

(52) **U.S. Cl.** **D15/81; D15/80**

(58) **Field of Classification Search** D15/79,
D15/81, 88, 91; 62/3.6-3.64, 293, 467, 246-254,
62/340, 344, 457.1-457.9; 312/400-408,
312/116, 119, 138.1, 139.1, 236

See application file for complete search history.

(56) **References Cited**

U.S. PATENT DOCUMENTS

| | | | | | |
|-----------|-----|---------|---------------------|-------|-----------|
| 3,862,880 | A * | 1/1975 | Feldman | | 428/319.9 |
| 3,971,231 | A | 7/1976 | Derry | | 62/388 |
| D253,536 | S * | 11/1979 | Shibata et al. | | D15/88 |
| D292,098 | S | 9/1987 | Pandolfi | | D15/82 |
| D314,579 | S | 2/1991 | Maxwell et al. | | D15/80 |
| D317,454 | S | 6/1991 | Matsumura et al. | | D15/83 |
| D394,270 | S * | 5/1998 | Strandell et al. | | D15/80 |
| D422,286 | S * | 4/2000 | Choi et al. | | D15/81 |
| D431,576 | S | 10/2000 | Okuda | | D15/80 |
| D452,869 | S * | 1/2002 | Ma et al. | | D15/81 |
| D468,755 | S * | 1/2003 | Muniz-Rivera et al. | | D15/81 |
| D477,000 | S * | 7/2003 | Aldous et al. | | D15/81 |
| D526,338 | S | 8/2006 | McDougal et al. | | D15/80 |
| D534,999 | S * | 1/2007 | Hussaini et al. | | D15/81 |

| | | | | | |
|----------|-----|---------|-----------------|-------|--------|
| D539,312 | S * | 3/2007 | Kim | | D15/81 |
| D540,831 | S * | 4/2007 | Kim et al. | | D15/81 |
| D548,249 | S | 8/2007 | Okamoto et al. | | D15/84 |
| D556,792 | S * | 12/2007 | Moran | | D15/81 |
| D557,716 | S | 12/2007 | Okuda | | D15/80 |
| D568,909 | S * | 5/2008 | Santiago | | D15/81 |
| D594,483 | S * | 6/2009 | Cefalu | | D15/81 |
| D597,107 | S | 7/2009 | Ohtake | | D15/80 |
| D618,257 | S * | 6/2010 | Hanamure et al. | | D15/79 |
| D627,374 | S * | 11/2010 | Yang | | D15/81 |
| D630,231 | S * | 1/2011 | Yang et al. | | D15/81 |

OTHER PUBLICATIONS

Design Examination Report dated Jun. 20, 2011 for corresponding Australian Design Registration No. 335222.

* cited by examiner

Primary Examiner — Mitchell Siegel

(74) *Attorney, Agent, or Firm* — Ohlandt, Greeley, Ruggiero & Perle, L.L.P.

(57) **CLAIM**

It is claimed the ornamental design for the ice machine, as shown and described.

DESCRIPTION

FIG. 1 is a front view of an ice machine according to the present invention;

FIG. 2 is a rear view of the ice machine of FIG. 1;

FIG. 3 is a side view of the ice machine of FIG. 1;

FIG. 4 is a side view of the ice machine of FIG. 1 that is opposite the side view of FIG. 3;

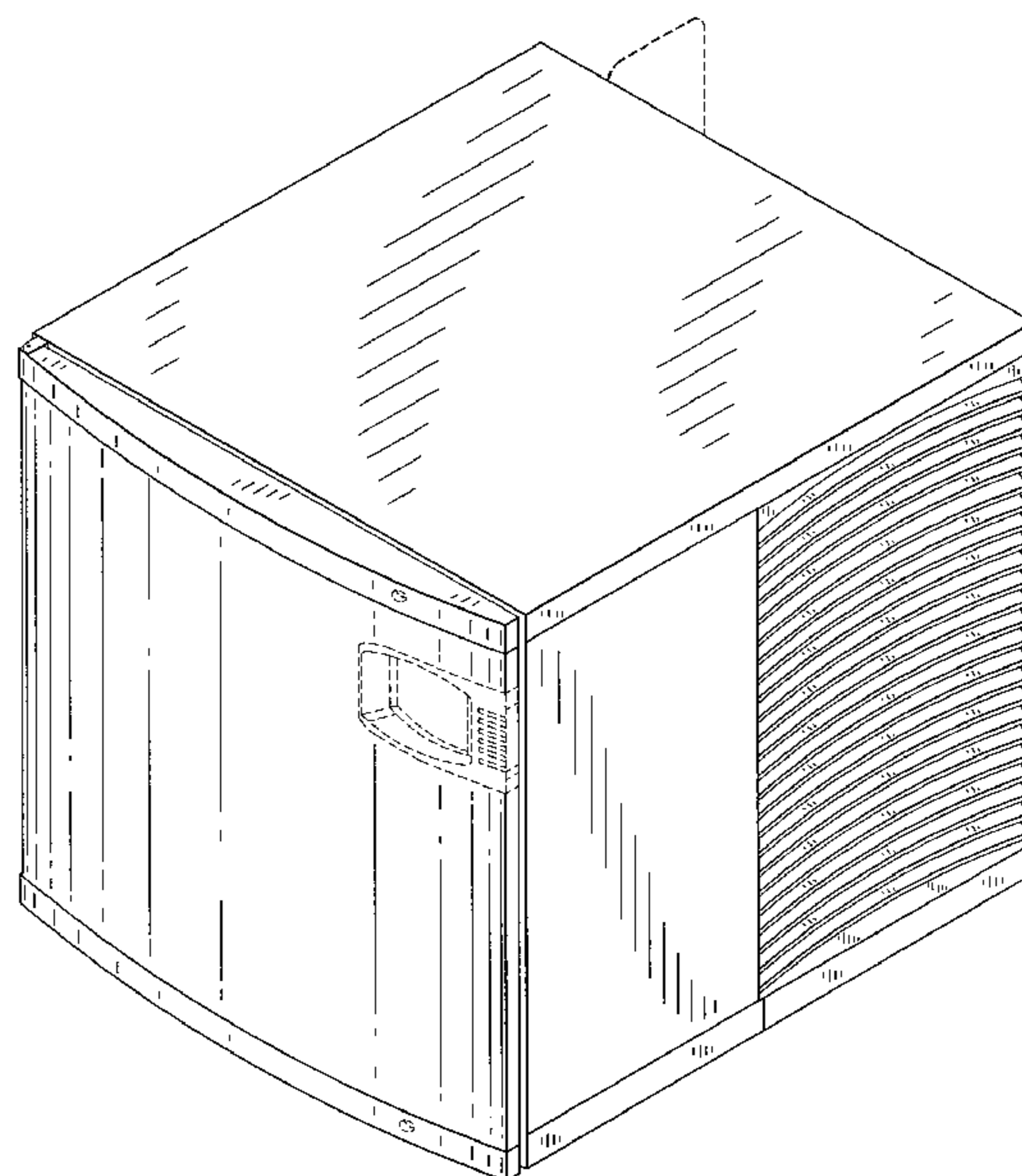
FIG. 5 is a top view of the ice machine of FIG. 1;

FIG. 6 is a bottom view of the ice machine of FIG. 1; and,

FIG. 7 is a top side perspective view of the ice machine of FIG. 1.

The broken lines in the drawings illustrating environmental structure form no part of the claimed design.

1 Claim, 7 Drawing Sheets



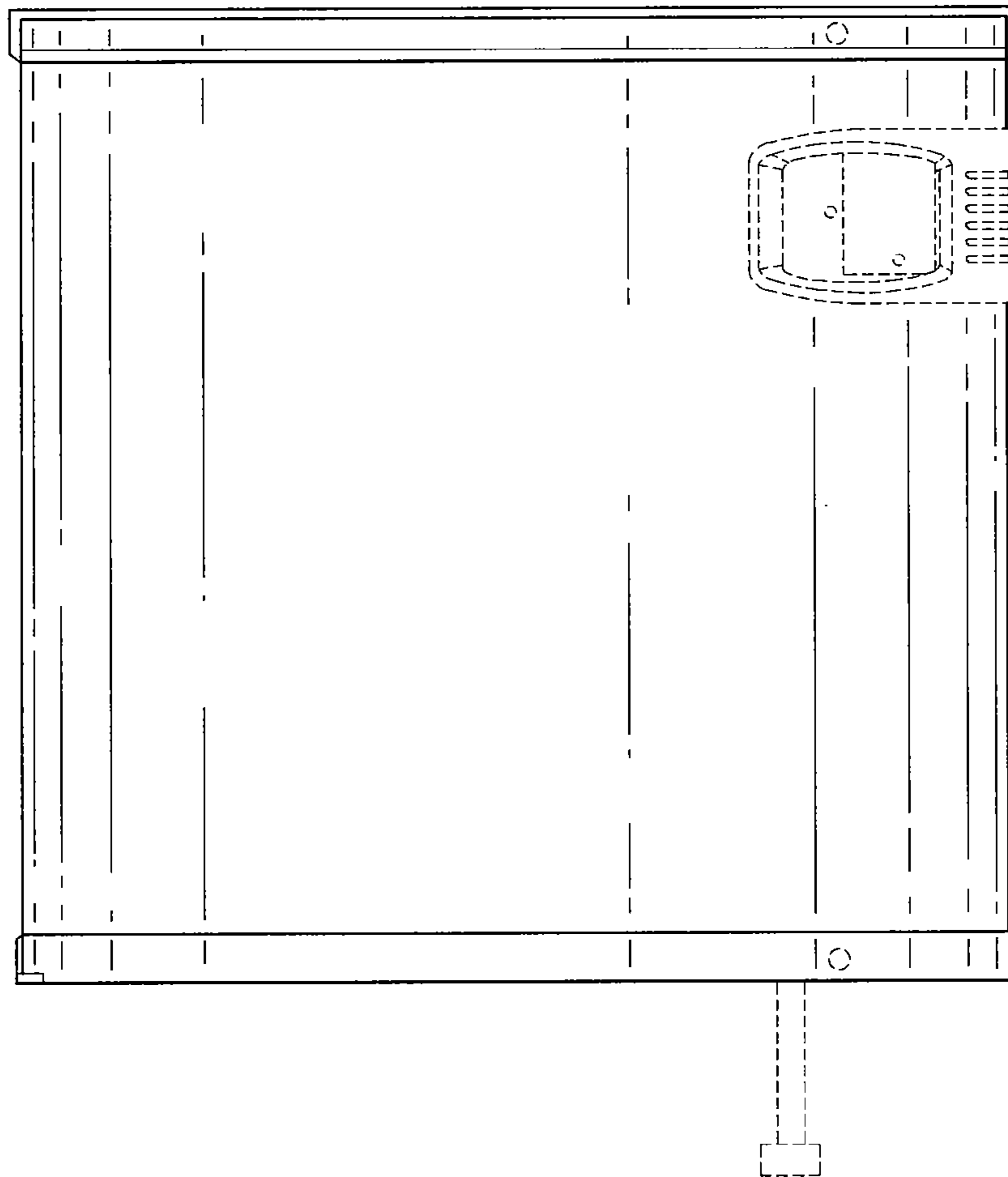


FIG. 1

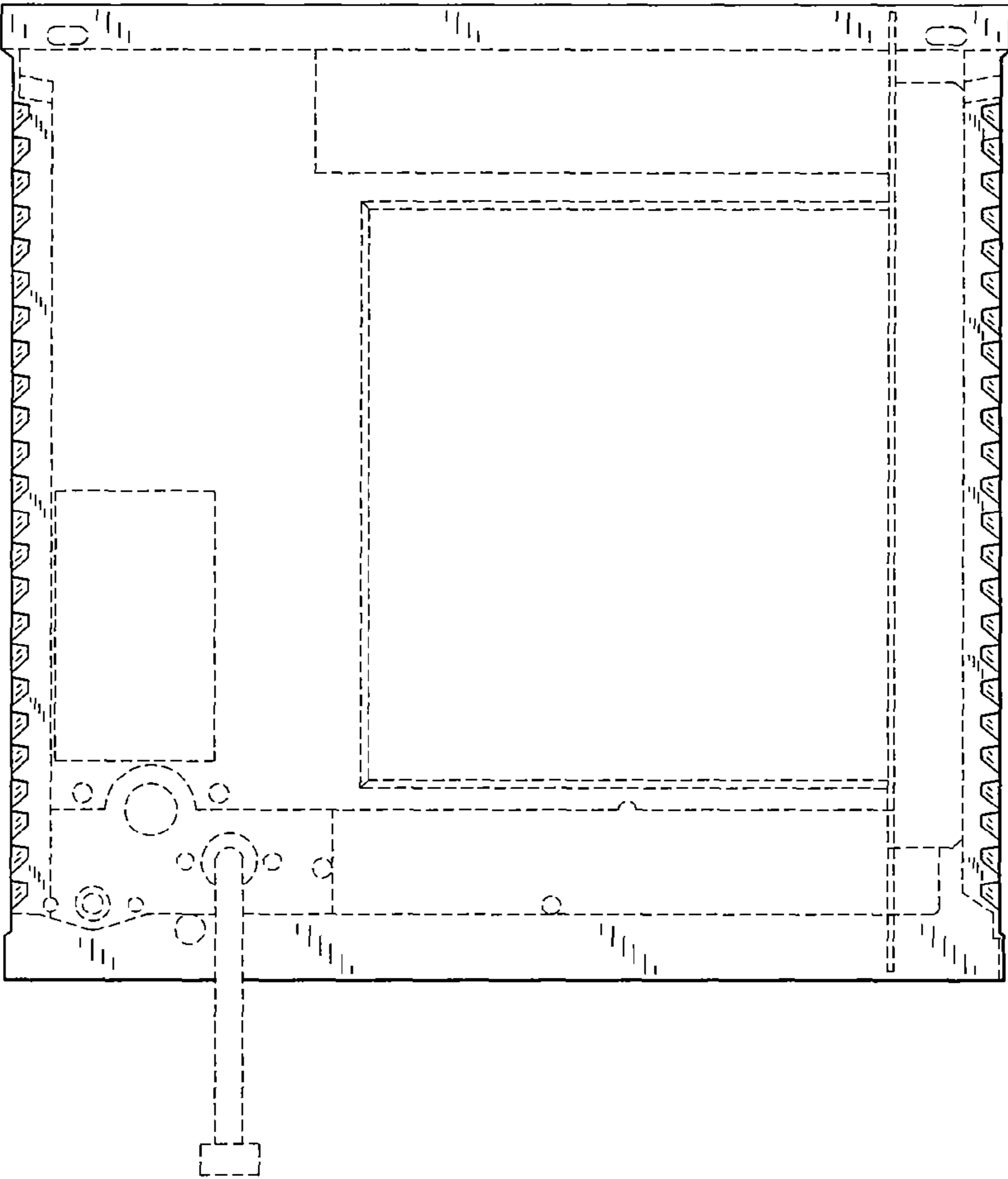


FIG. 2

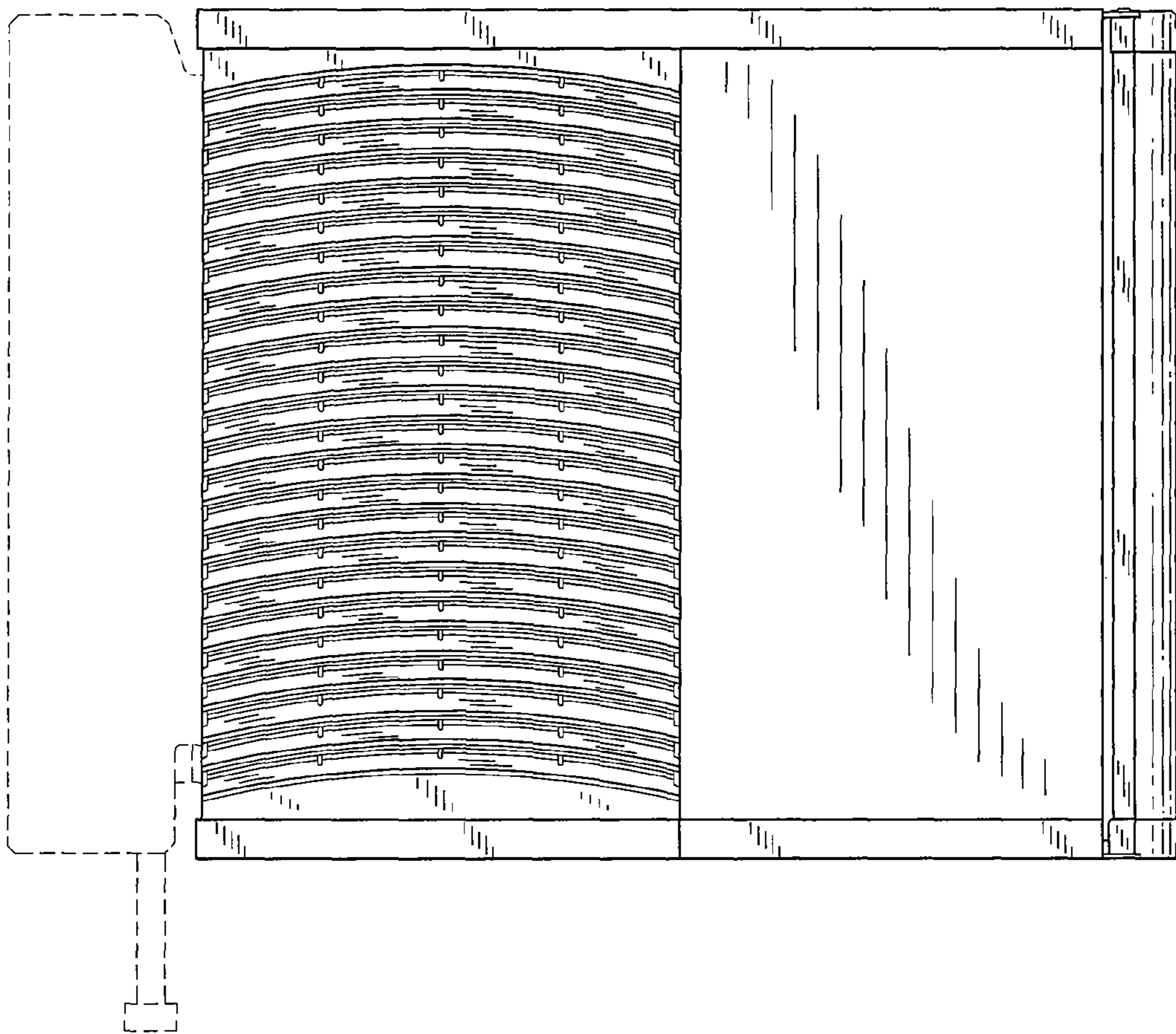


FIG. 3

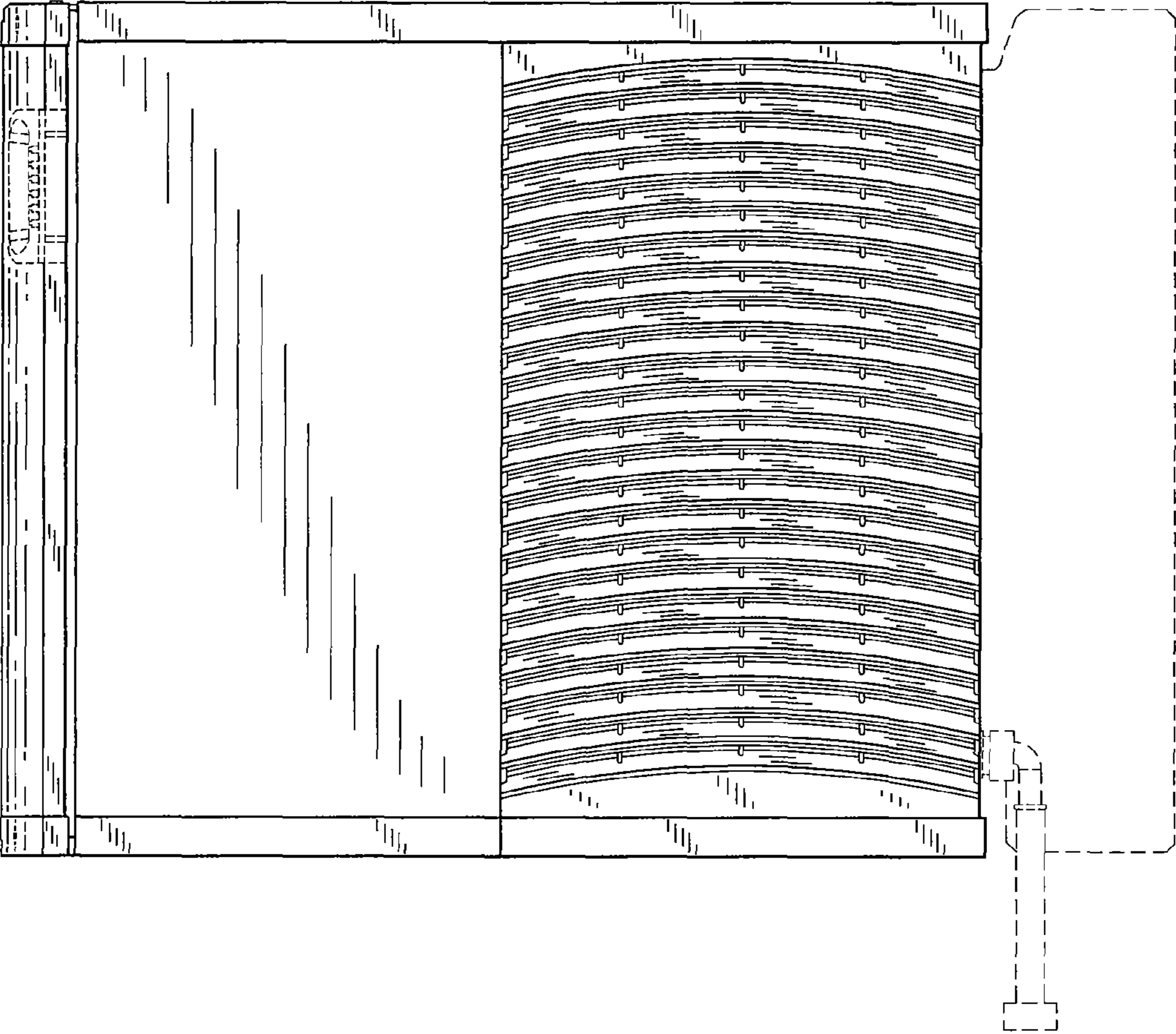


FIG. 4

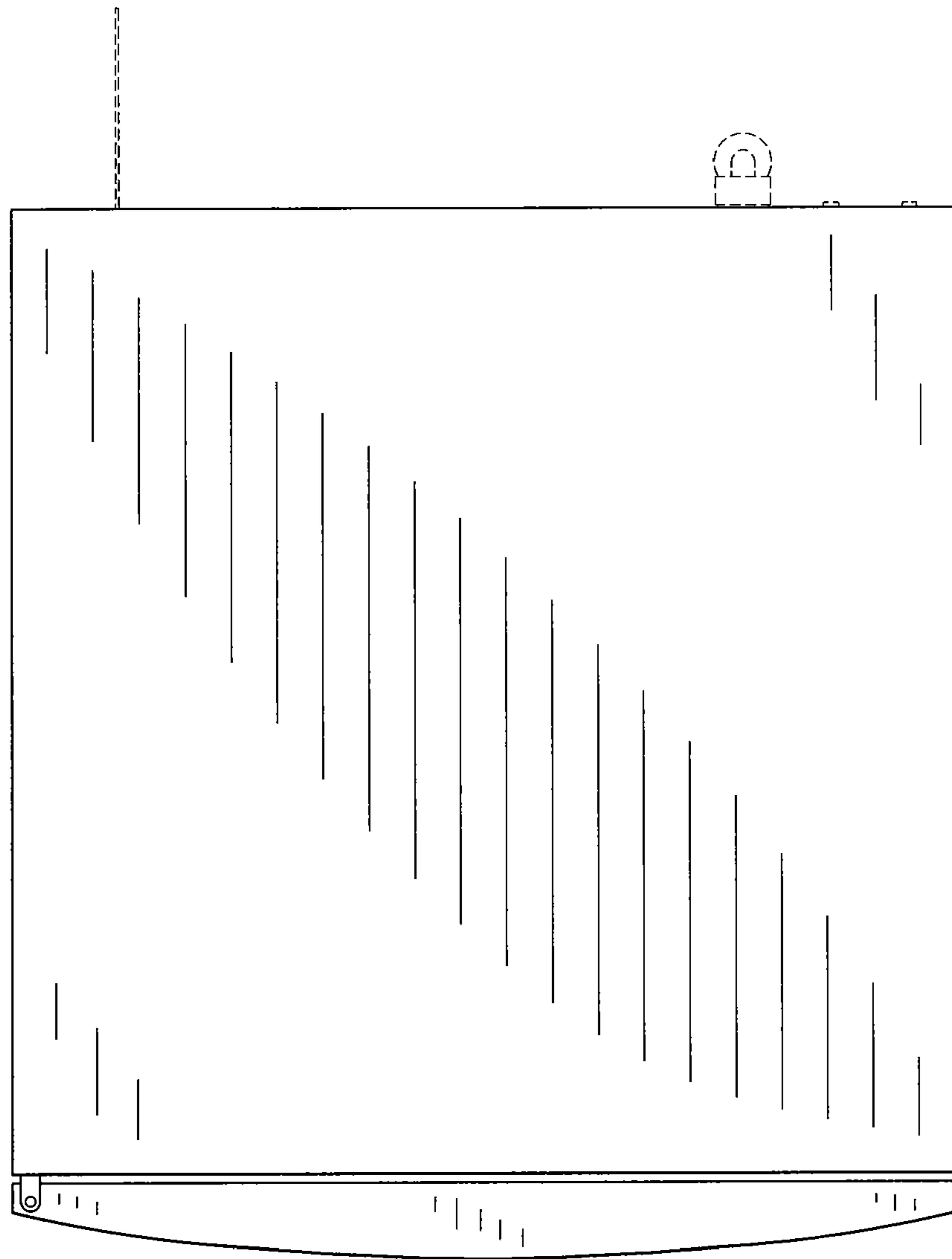


FIG. 5

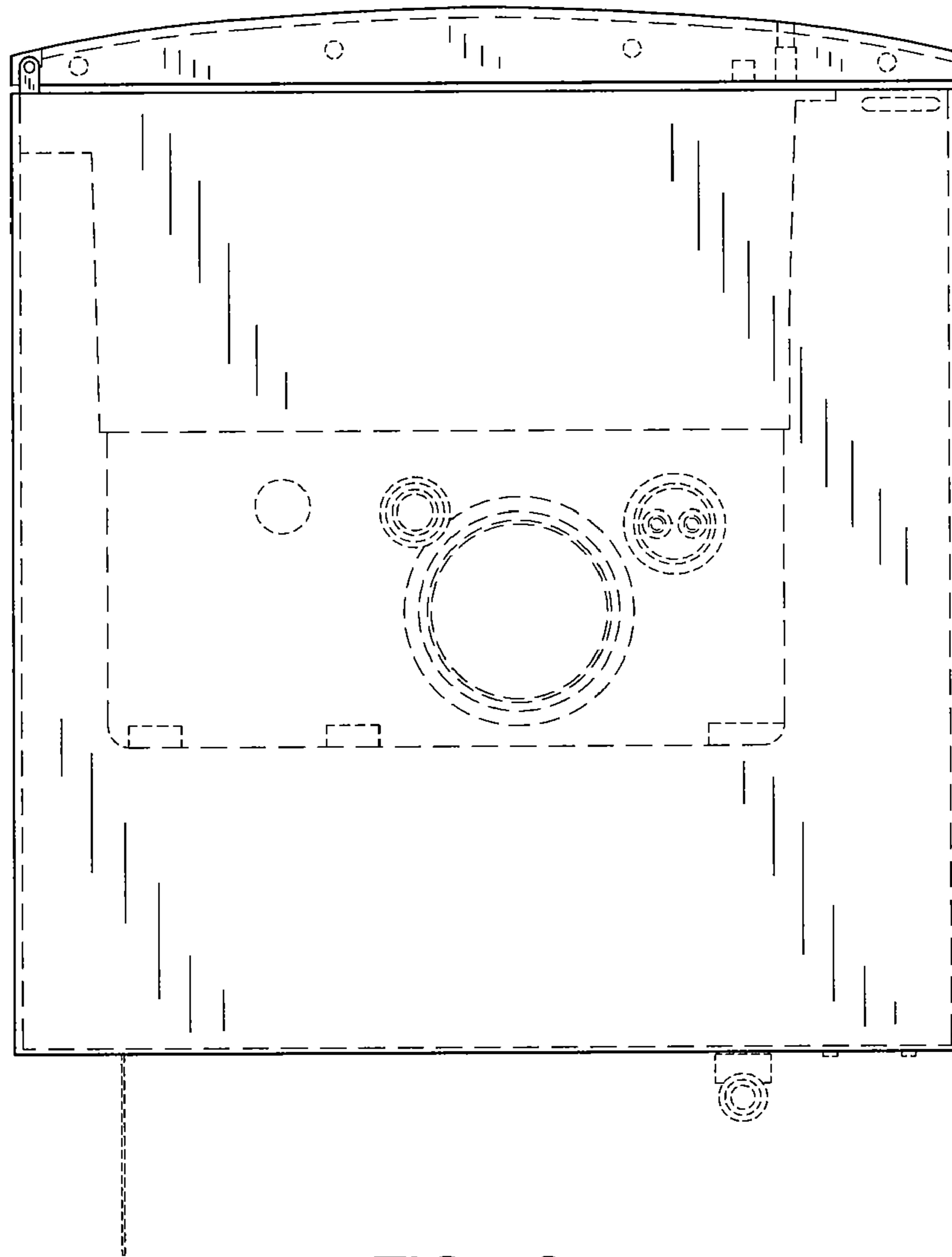


FIG. 6

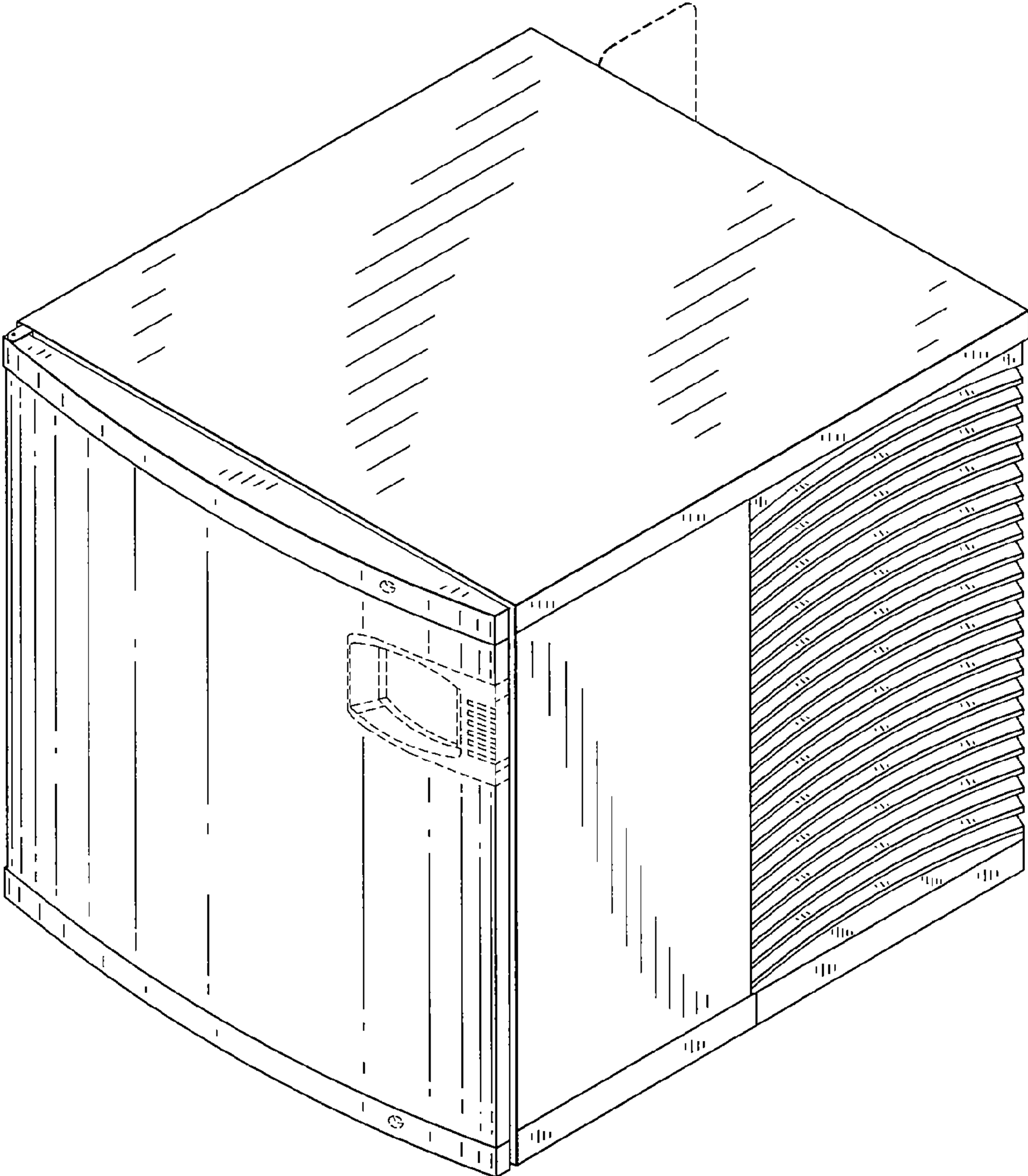


FIG. 7