



US00D653680S

(12) **United States Design Patent**
Sheeler et al.

(10) **Patent No.:** **US D653,680 S**

(45) **Date of Patent:** **** Feb. 7, 2012**

(54) **CABLE PUSHER**

(75) Inventors: **John M. Sheeler**, Byesville, OH (US);
Ed Rollandini, Saint Clairsville, OH (US)

(73) Assignee: **DSI Underground Systems, Inc.**,
Martinsburg, WV (US)

(**) Term: **14 Years**

(21) Appl. No.: **29/364,332**

(22) Filed: **Jun. 22, 2010**

(51) **LOC (9) Cl.** **15-03**

(52) **U.S. Cl.** **D15/28**

(58) **Field of Classification Search** D15/10,
D15/28; 29/407.01, 714, 779, 819; 254/134.3 FT,
254/134.5, 134.3 R, 134.4; 242/398; 403/345
See application file for complete search history.

(56) **References Cited**

U.S. PATENT DOCUMENTS

| | | | | | |
|-----------|-----|---------|----------|-------|--------------|
| 4,669,705 | A * | 6/1987 | Langston | | 254/134.3 FT |
| 5,152,506 | A * | 10/1992 | Pickrell | | 254/134.3 FT |
| 5,294,066 | A * | 3/1994 | Lacour | | 242/390.9 |
| 5,324,006 | A * | 6/1994 | Pickrell | | 254/134.3 FT |
| 5,664,765 | A * | 9/1997 | Pickrell | | 254/271 |
| 5,683,073 | A * | 11/1997 | Pickrell | | 254/134.3 FT |

| | | | | | |
|--------------|------|---------|---------------|-------|--------------|
| 6,370,753 | B1 * | 4/2002 | Washburn | | 29/407.01 |
| 6,431,524 | B1 * | 8/2002 | Weber | | 254/134.3 FT |
| 6,513,307 | B1 * | 2/2003 | Lucas | | 53/459 |
| 2005/0051759 | A1 * | 3/2005 | Plummer | | 254/134.3 FT |
| 2007/0034845 | A1 * | 2/2007 | Plummer | | 254/134.3 FT |
| 2007/0221896 | A1 * | 9/2007 | Jordan et al. | | 254/134.3 FT |
| 2007/0284559 | A1 * | 12/2007 | Plummer | | 254/134.3 FT |
| 2009/0078921 | A1 * | 3/2009 | Plummer | | 254/134.3 FT |
| 2010/0090183 | A1 * | 4/2010 | Leto et al. | | 254/134.3 FT |
| 2011/0227012 | A1 * | 9/2011 | Wang et al. | | 254/134.5 |

* cited by examiner

Primary Examiner — Mark Goodwin

(74) *Attorney, Agent, or Firm* — Ohlandt, Greeley, Ruggiero & Perle, LLP

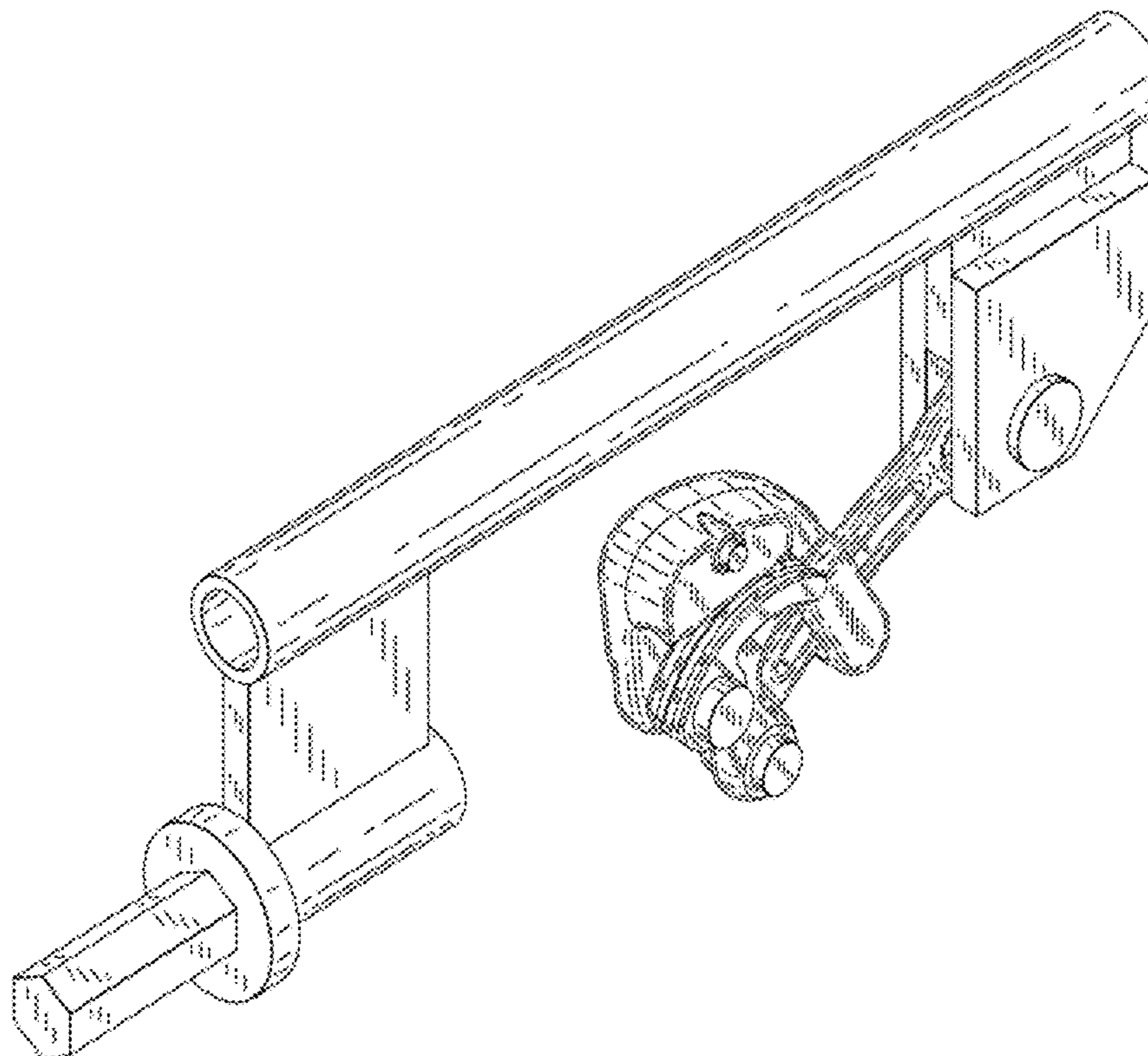
(57) **CLAIM**

The ornamental design for a cable pusher, as shown and described.

DESCRIPTION

FIG. 1 is a front perspective view of a cable pusher of the present disclosure;
FIG. 2 is a rear perspective view of the cable pusher of FIG. 1;
FIG. 3 is a first side view of the cable pusher of FIG. 1;
FIG. 4 is a second side view of the cable pusher of FIG. 1;
FIG. 5 is a top view of the cable pusher of FIG. 1;
FIG. 6 is a bottom view of the cable pusher of FIG. 1;
FIG. 7 is a front view of the cable pusher of FIG. 1; and,
FIG. 8 is a rear view of the cable pusher of FIG. 1.

1 Claim, 7 Drawing Sheets



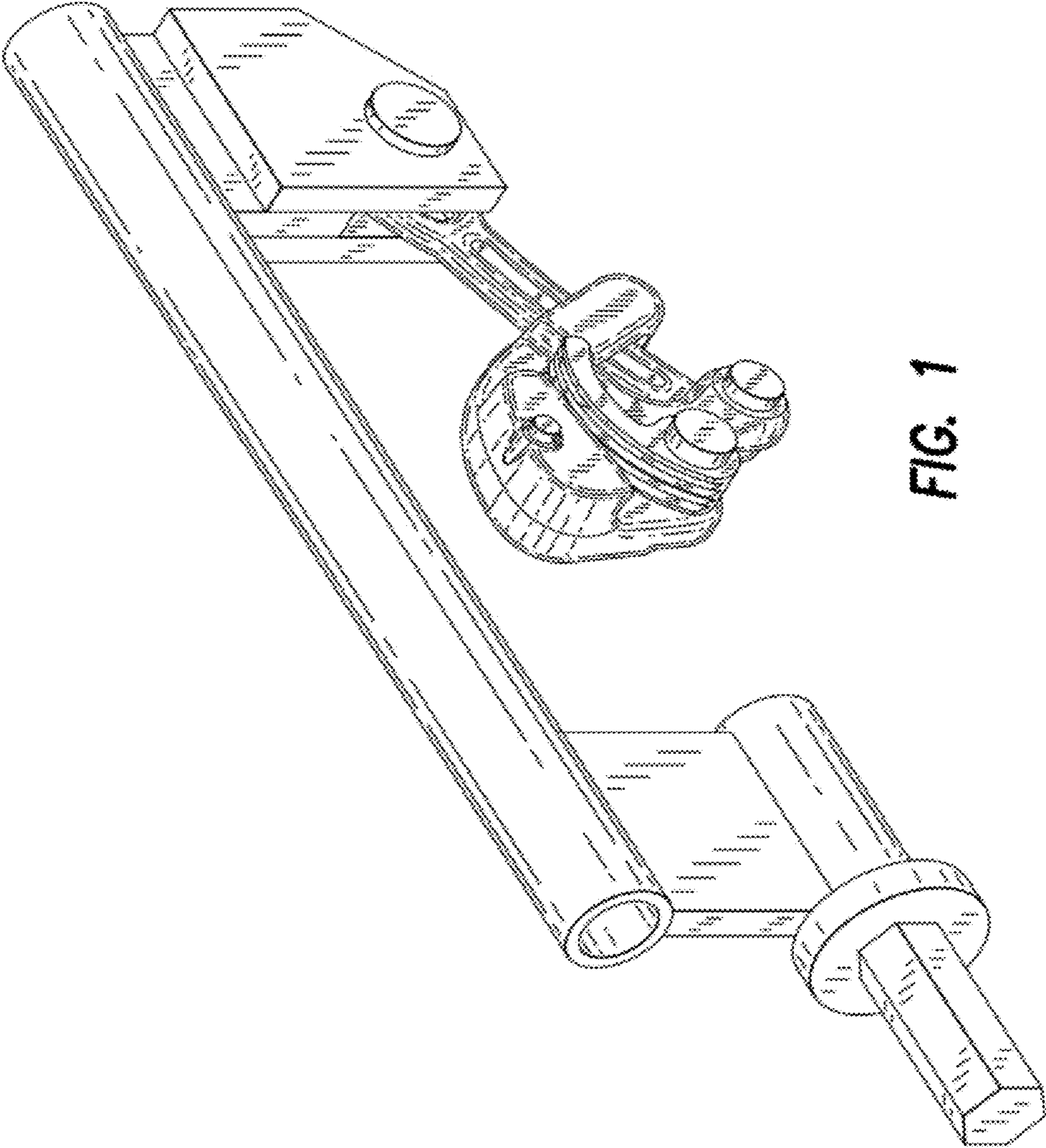


FIG. 1

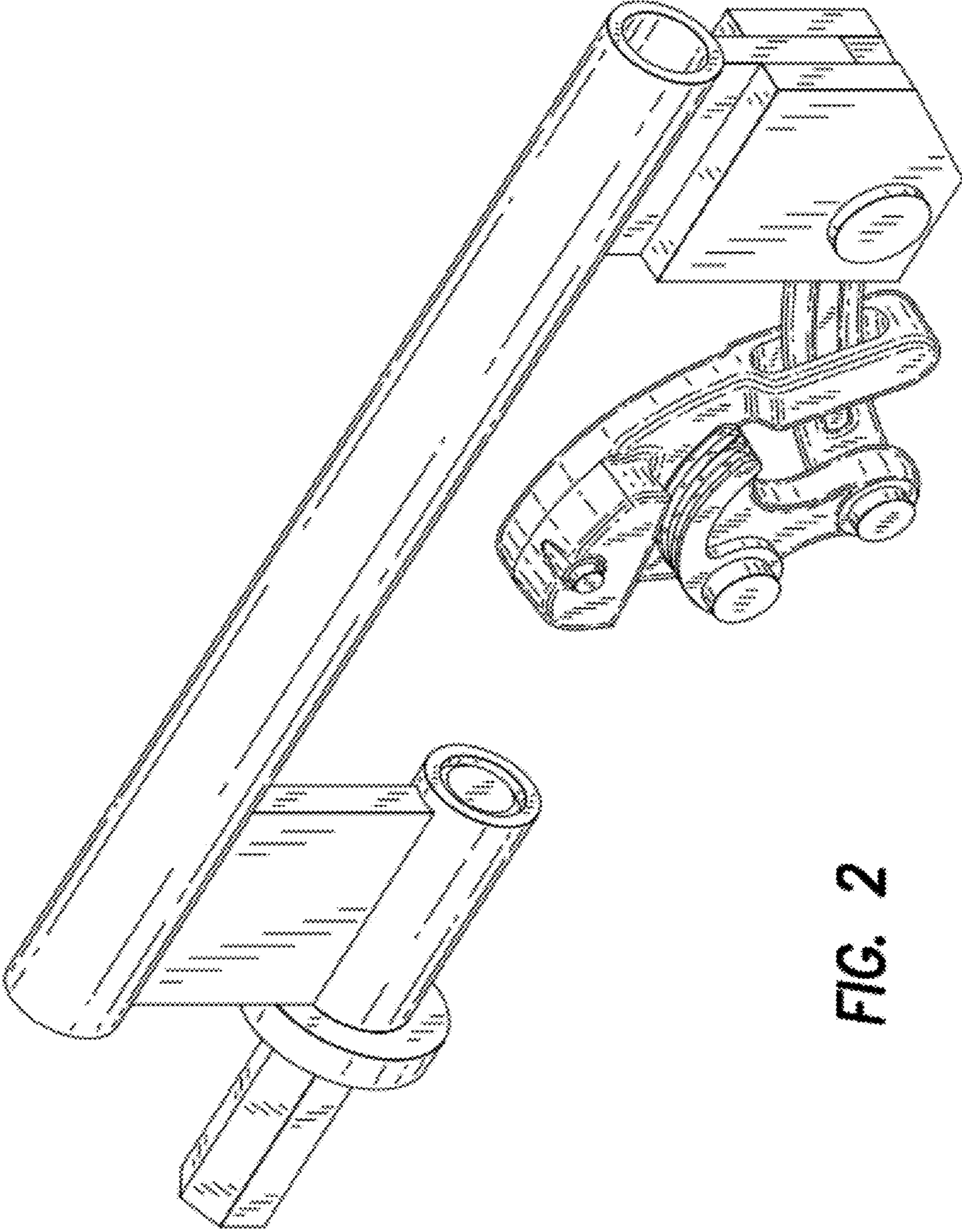


FIG. 2

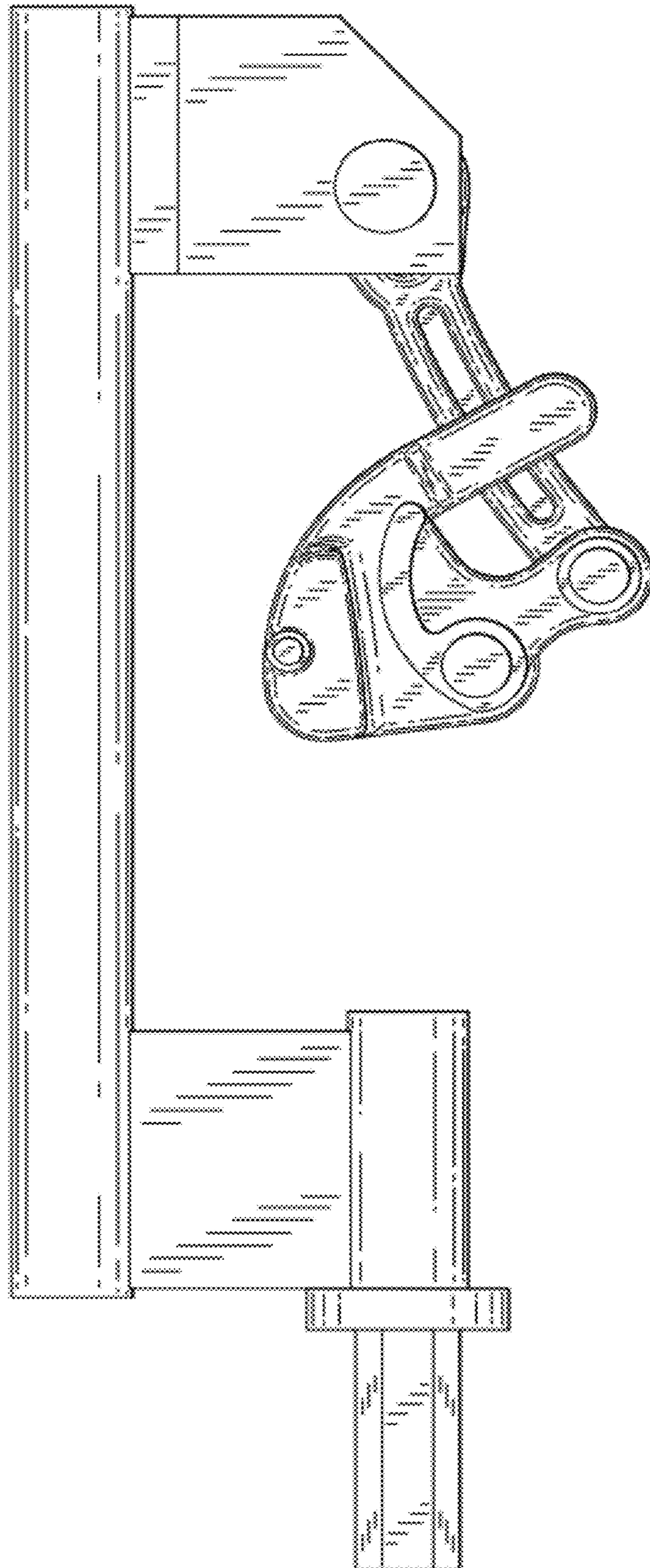


FIG. 3

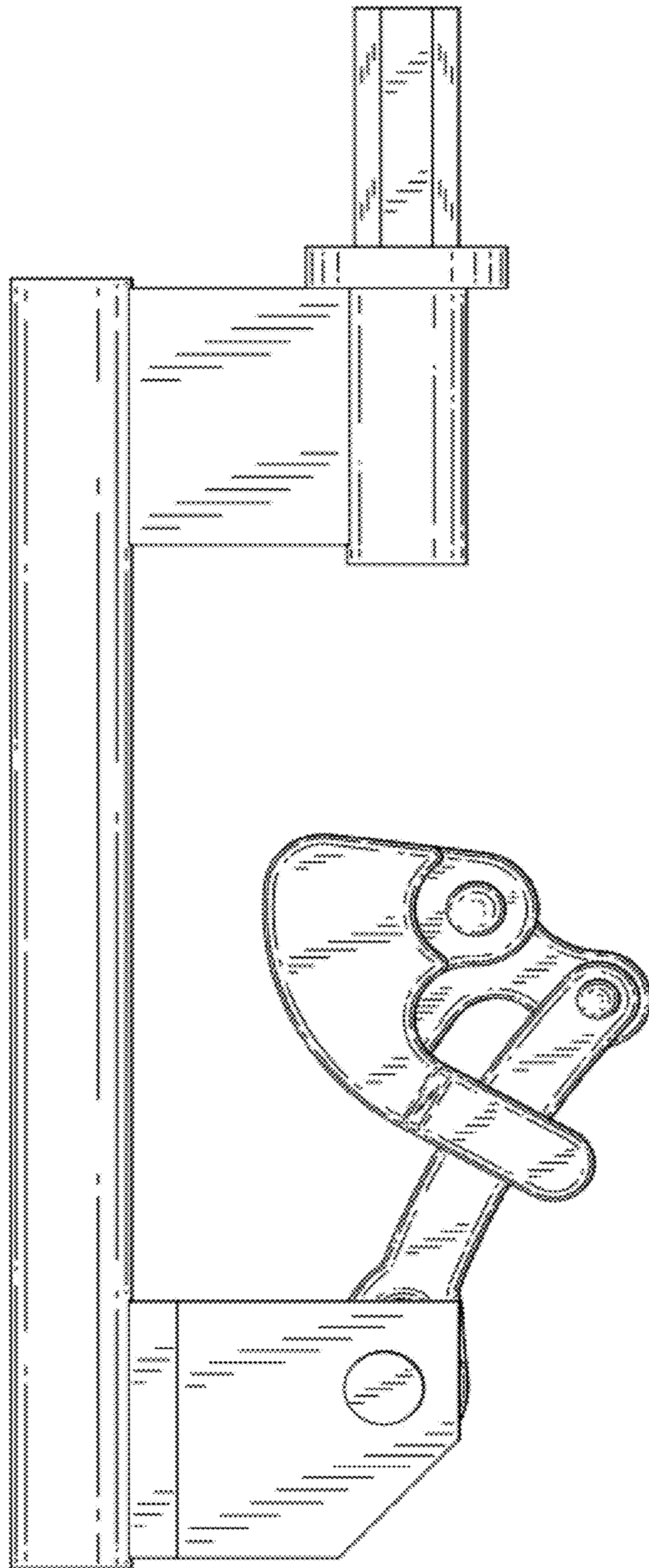


FIG. 4

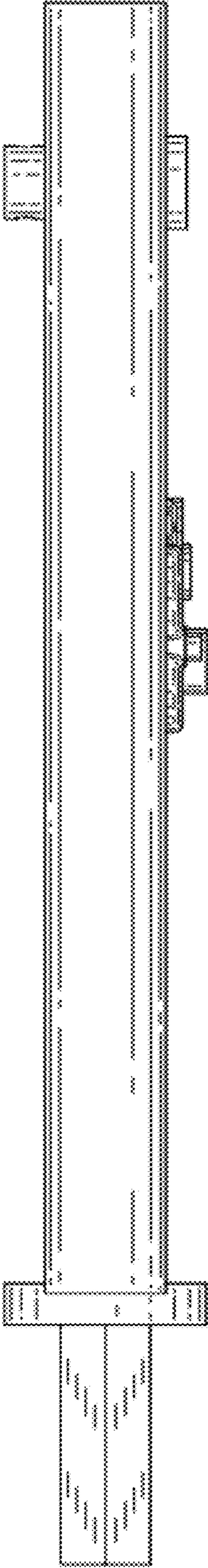


FIG. 5

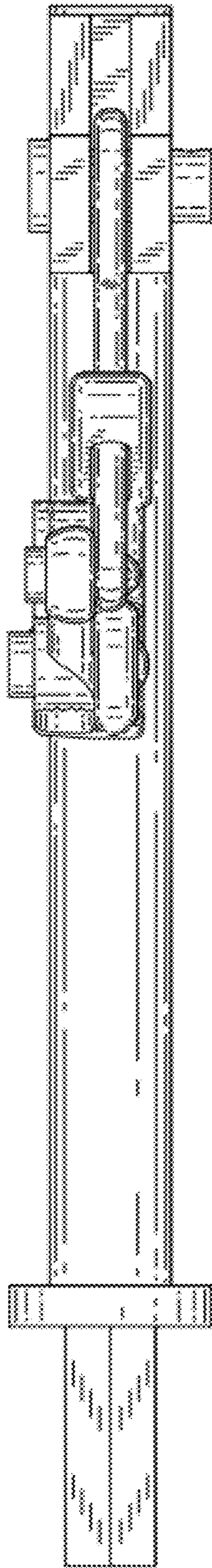


FIG. 6

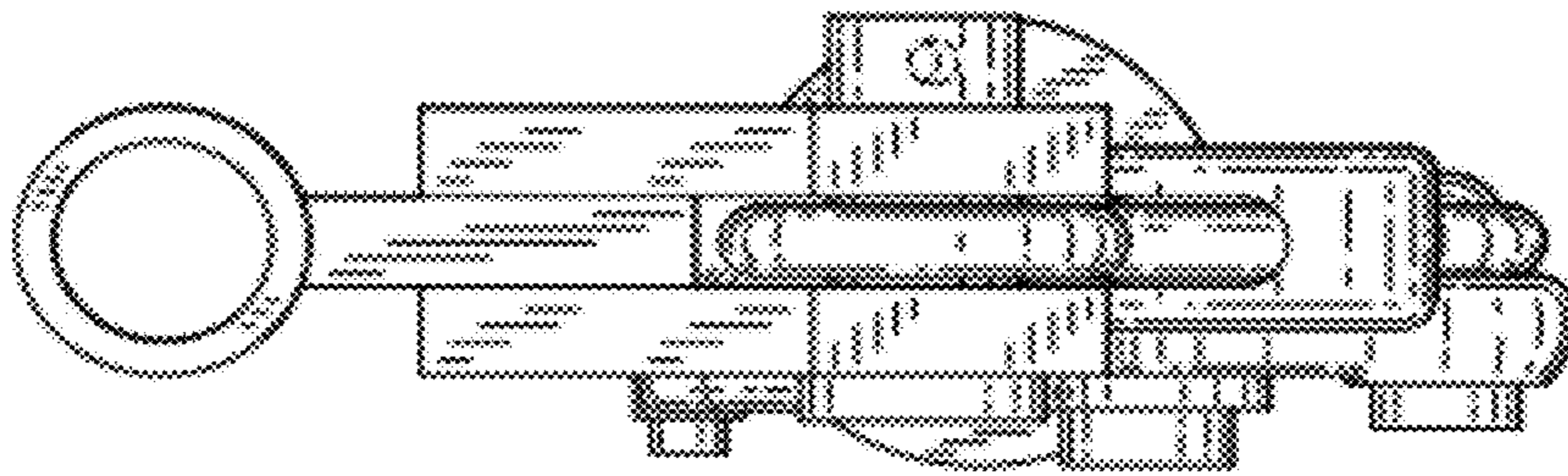


FIG. 8

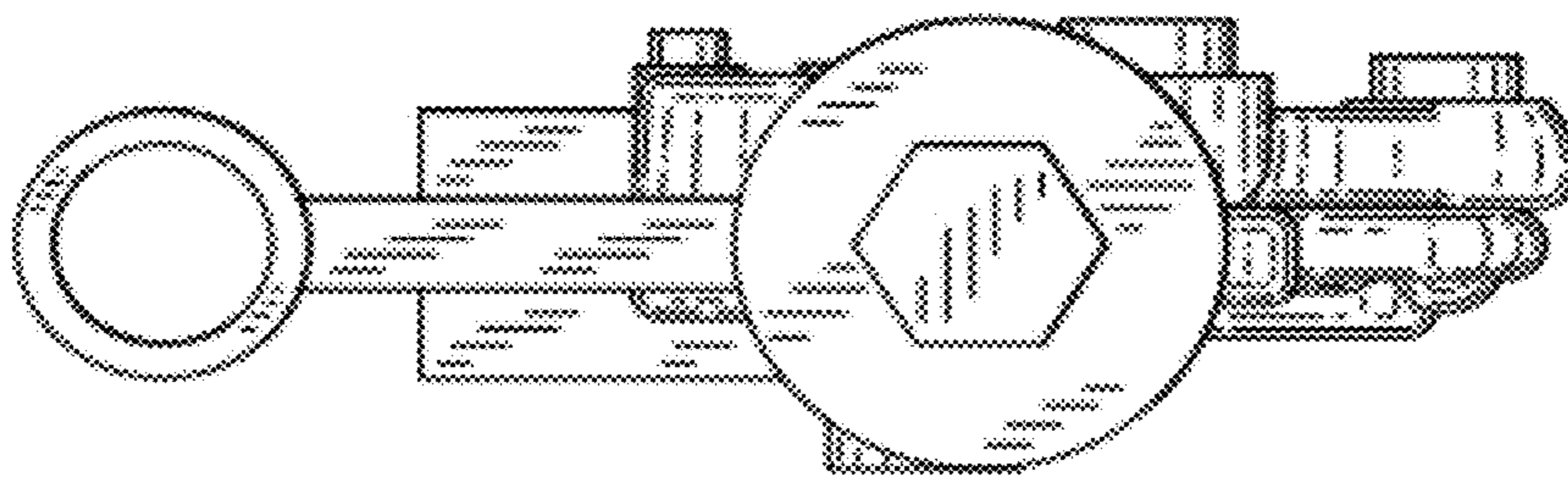


FIG. 7