



US00D653677S

(12) **United States Design Patent**
Nam

(10) **Patent No.:** **US D653,677 S**

(45) **Date of Patent:** **** Feb. 7, 2012**

(54) **CYLINDER HOUSING FOR AIR COMPRESSOR**

| | | | | | |
|------------|---|---------|-----|-------|-------|
| D533,881 S | * | 12/2006 | Chu | | D15/9 |
| D554,666 S | * | 11/2007 | Chu | | D15/9 |
| D554,667 S | * | 11/2007 | Chu | | D15/9 |
| D589,534 S | * | 3/2009 | Chu | | D15/9 |
| D603,875 S | * | 11/2009 | Chu | | D15/9 |

(75) Inventor: **Taek kyun Nam**, Pusan (KR)

* cited by examiner

(73) Assignee: **GCS. Inc., Ltd.**, Kyoung-Nam (KR)

(**) Term: **14 Years**

Primary Examiner — Ralf Seifert

(21) Appl. No.: **29/386,622**

(74) *Attorney, Agent, or Firm* — Ladas & Parry LLP

(22) Filed: **Mar. 3, 2011**

(57) **CLAIM**

I claim the ornamental design for a cylinder housing for air compressor, as shown and described.

(30) **Foreign Application Priority Data**

DESCRIPTION

Jan. 21, 2011 (KR) 30-2011-0002677

(51) **LOC (9) Cl.** **15-02**

(52) **U.S. Cl.** **D15/9**

(58) **Field of Classification Search** D15/7-9;
D23/231, 232; 417/410.1, 359, 415-416,
417/234, 321, 265, 405

See application file for complete search history.

FIG. 1 is a front/left-side/top perspective view of a cylinder housing for air compressor showing our new design; FIG. 2 is a front-side elevational view thereof; FIG. 3 is a rear-side elevational view thereof; FIG. 4 is a left-side elevational view thereof; FIG. 5 is a right-side elevational view thereof; FIG. 6 is a top-side elevational view thereof; and, FIG. 7 is a bottom-side elevational view thereof.

The broken lines in FIGS. 3 and 5 are included for the purpose of illustrating portions of the cylinder housing for air compressor that form no part of the claimed design.

(56) **References Cited**

U.S. PATENT DOCUMENTS

| | | | | | |
|------------|---|---------|-----|-------|-------|
| D529,050 S | * | 9/2006 | Chu | | D15/9 |
| D529,927 S | * | 10/2006 | Chu | | D15/9 |
| D529,930 S | * | 10/2006 | Chu | | D15/9 |

1 Claim, 6 Drawing Sheets

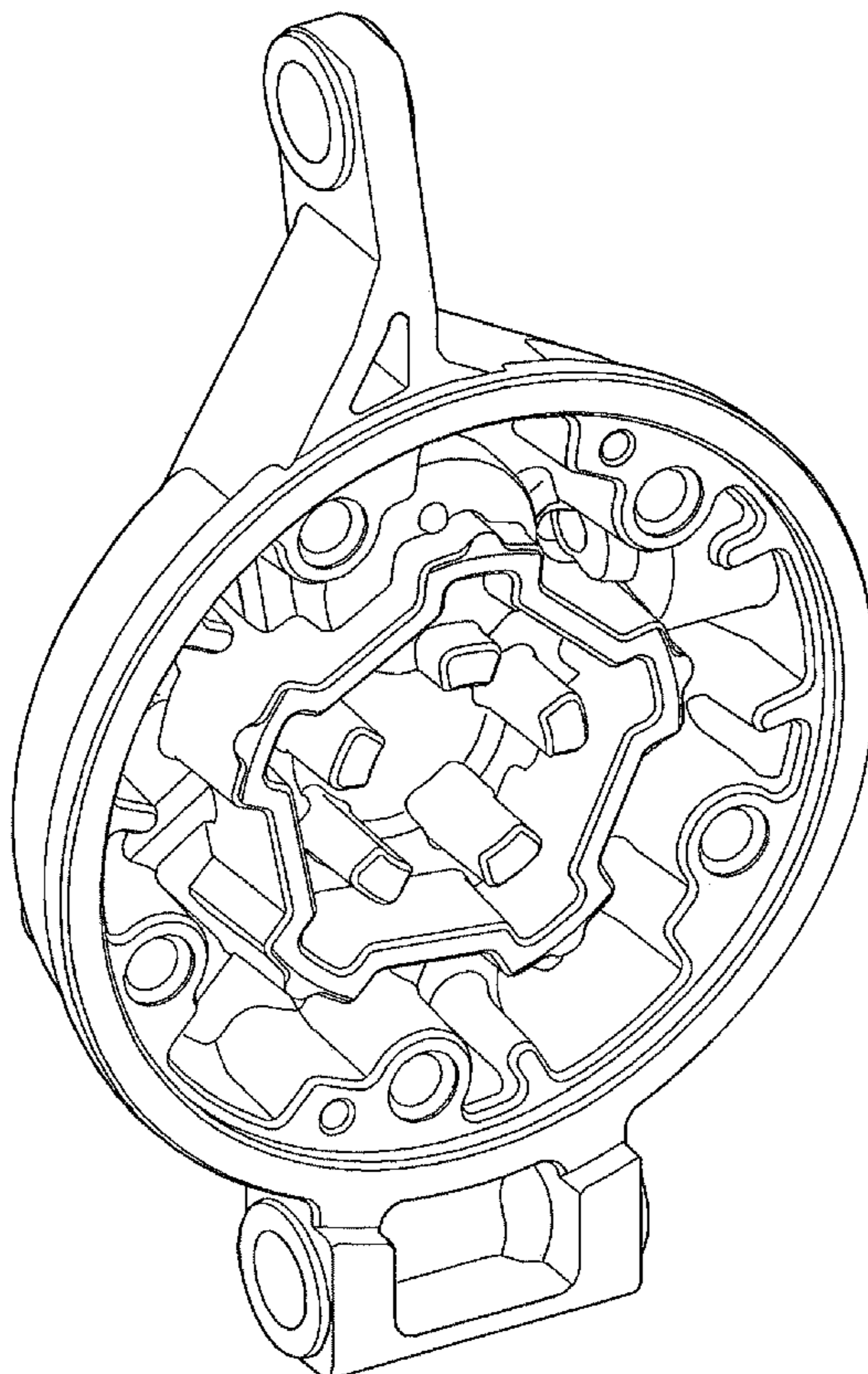


FIG. 1

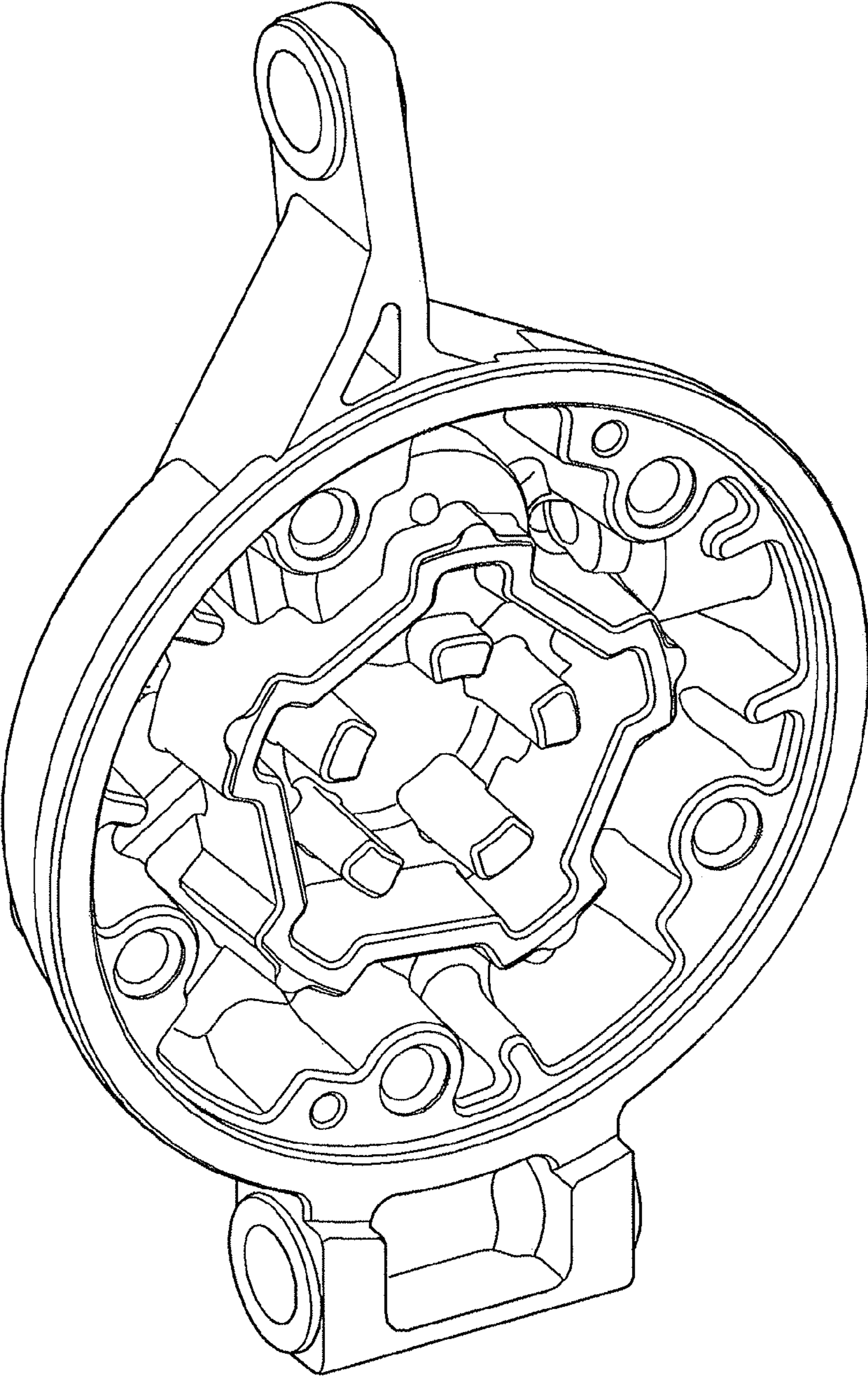


FIG. 2

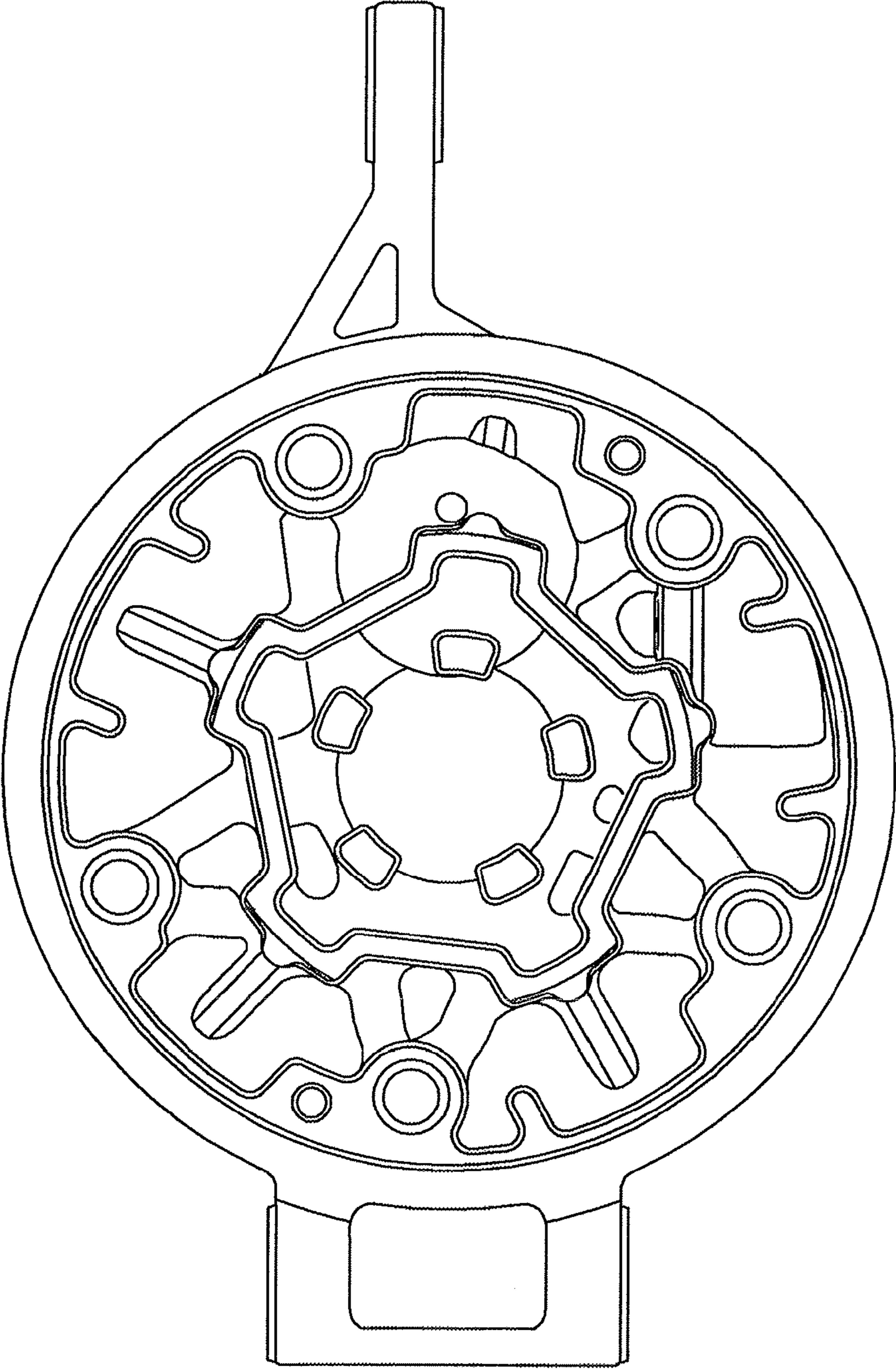


FIG. 3

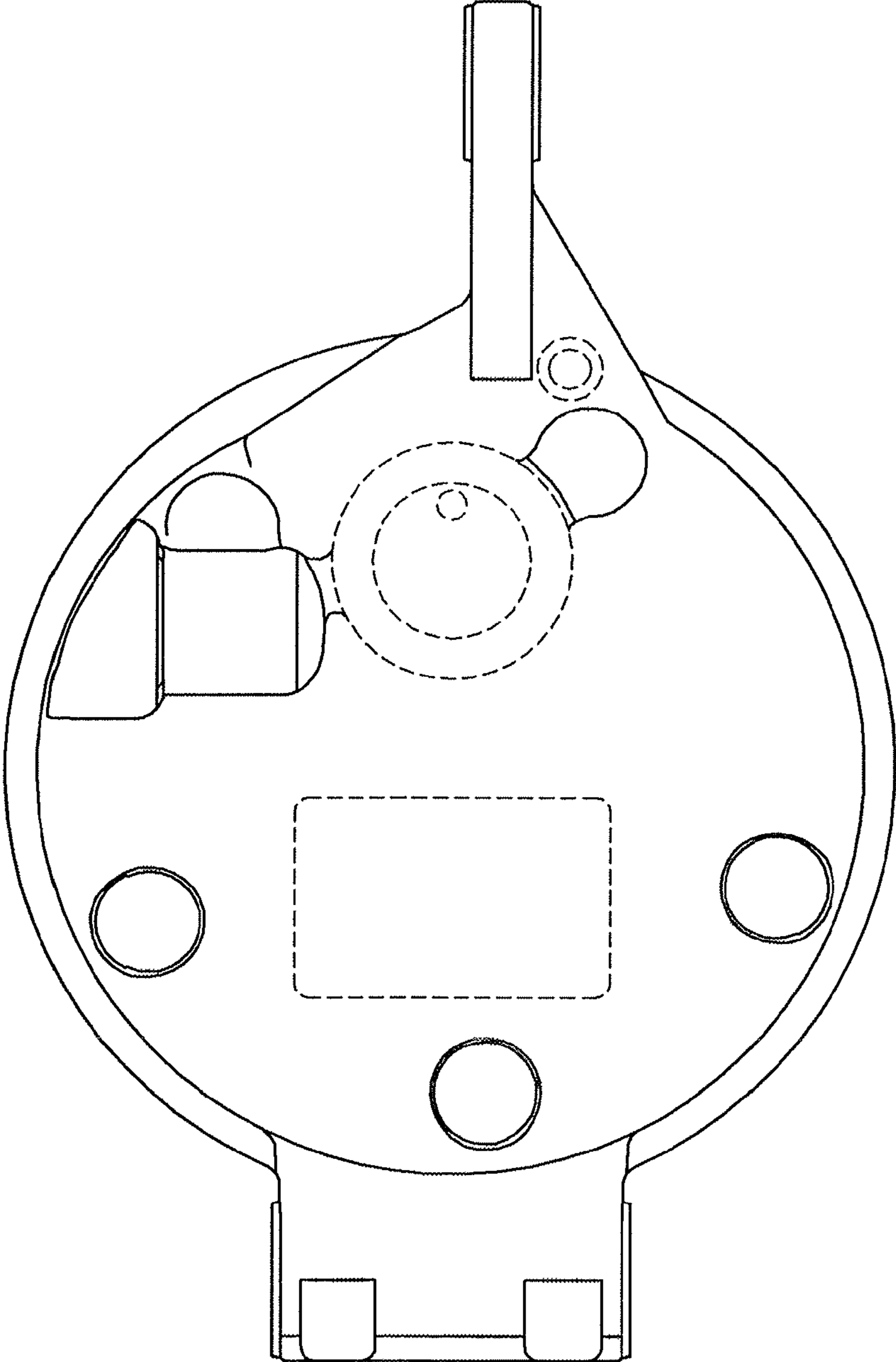


FIG. 4

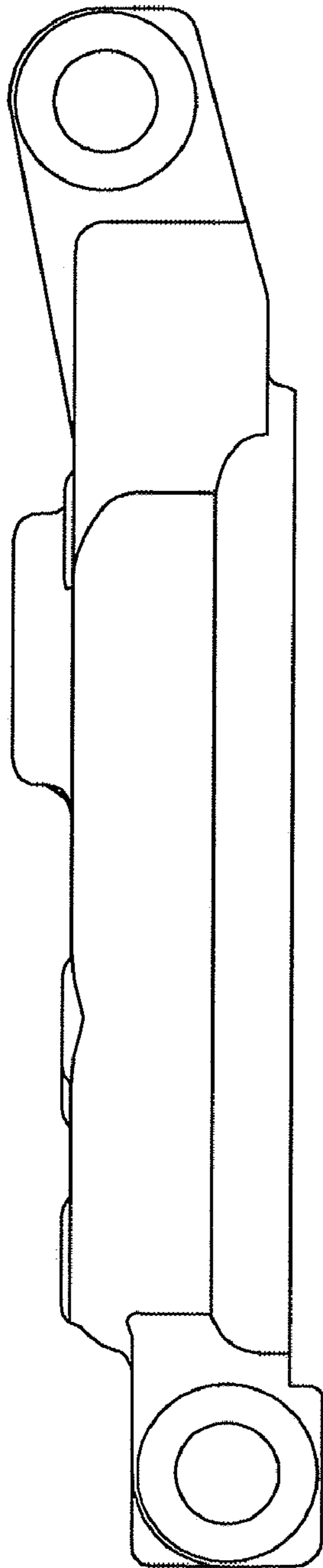


FIG. 5

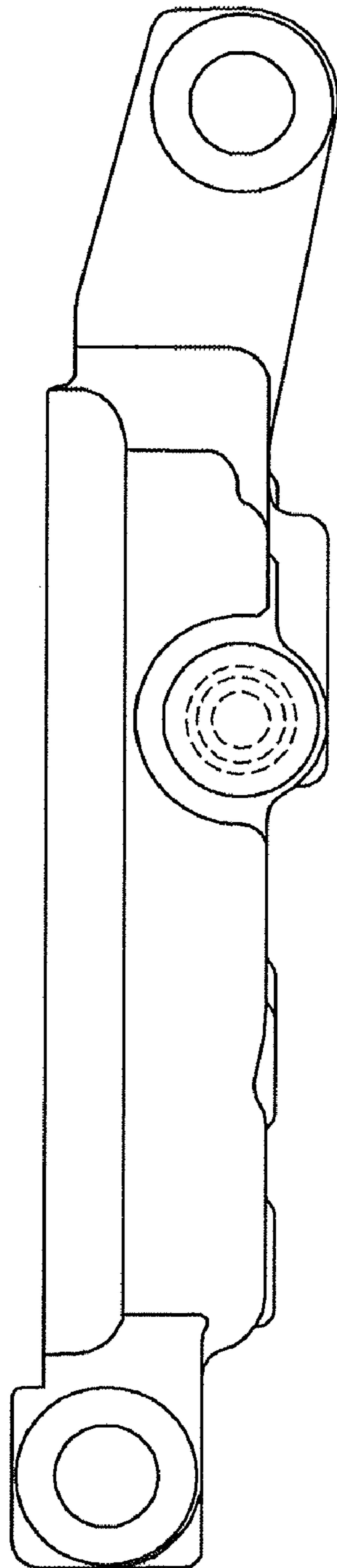


FIG. 6

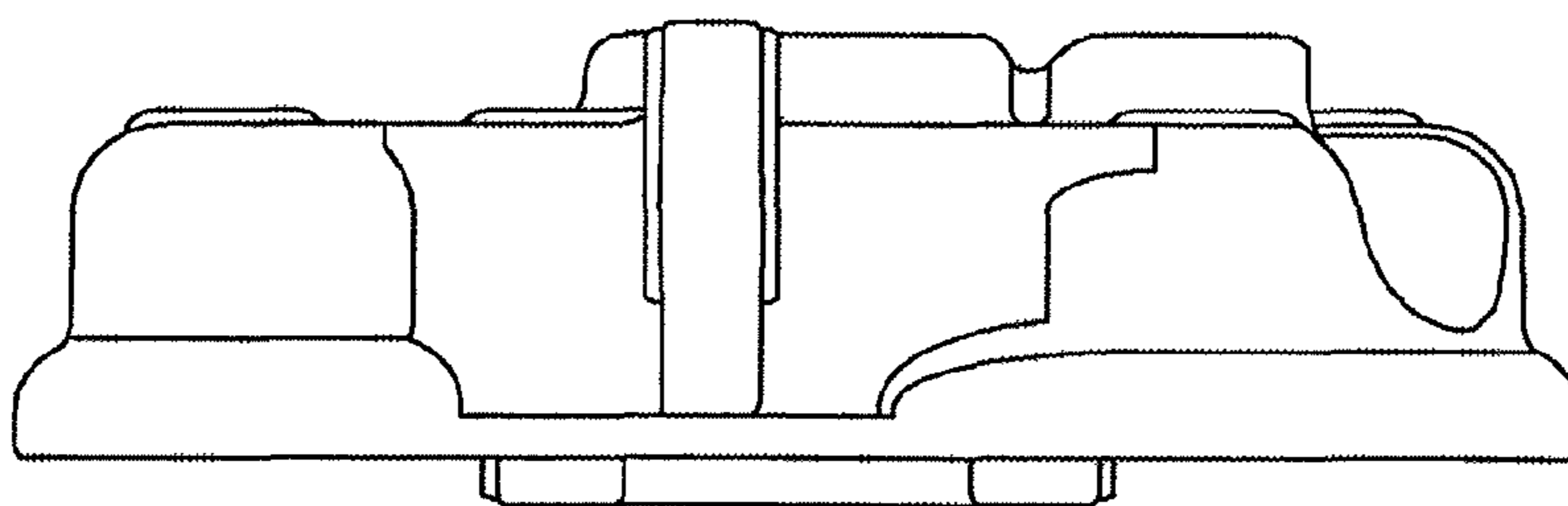


FIG. 7

