



US00D653675S

(12) **United States Design Patent**
Akana et al.

(10) **Patent No.:** **US D653,675 S**
(45) **Date of Patent:** **** Feb. 7, 2012**

(54) **HOUSING FOR AN ELECTRONIC DEVICE**

(75) Inventors: **Jody Akana**, San Francisco, CA (US); **Bartley K. Andre**, Menlo Park, CA (US); **Jeremy Bataillou**, San Francisco, CA (US); **Daniel J. Coster**, San Francisco, CA (US); **Daniele De Iuliis**, San Francisco, CA (US); **Evans Hankey**, San Francisco, CA (US); **Richard P. Howarth**, San Francisco, CA (US); **Jonathan P. Ive**, San Francisco, CA (US); **Duncan Robert Kerr**, San Francisco, CA (US); **Stephen Brian Lynch**, Portola Valley, CA (US); **Shin Nishibori**, Portola Valley, CA (US); **Matthew Dean Rohrbach**, San Francisco, CA (US); **Peter Russell-Clarke**, San Francisco, CA (US); **Emery Artemus Sanford**, San Francisco, CA (US); **Christopher J. Stringer**, Woodside, CA (US); **Eugene Antony Whang**, San Francisco, CA (US); **Rico Zorkendorfer**, San Francisco, CA (US)

(73) Assignee: **Apple Inc.**, Cupertino, CA (US)

(**) Term: **14 Years**

(21) Appl. No.: **29/368,830**

(22) Filed: **Aug. 30, 2010**

Related U.S. Application Data

(62) Division of application No. 29/367,996, filed on Aug. 16, 2010, now Pat. No. Des. 638,030.

(51) **LOC (9) Cl.** **14-03**

(52) **U.S. Cl.** **D14/496; D14/203.3**

(58) **Field of Classification Search** D14/496, D14/401, 435, 474, 483, 217, 137, 138, 160, D14/168, 356, 203.1-203.8, 507; 345/156, 345/169, 173-179, 905; 715/727-729, 864; 710/1, 5, 8; 713/1, 600; 455/1.1, 1.7, 73, 455/344-347, 93, 95, 3.01-3.06, 550.1, 573.1; 370/342-344; 369/1, 2, 6-12; 463/43-47; 273/148 B

See application file for complete search history.

(56) **References Cited**

U.S. PATENT DOCUMENTS

4,359,220 A	11/1982	Morrison et al.	
D303,137 S	8/1989	Brown	
D306,519 S	3/1990	Nakata	
5,128,829 A *	7/1992	Loew	361/679.3
D344,511 S	2/1994	Ansai et al.	
D345,304 S	3/1994	Leader	
6,122,526 A	9/2000	Parulski et al.	
D432,523 S	10/2000	Grinkus et al.	
D441,735 S	5/2001	Katayama	

(Continued)

OTHER PUBLICATIONS

U.S. Appl. No. 29/379,225, Andre et al., "Media Device", filed Nov. 16, 2010.

(Continued)

Primary Examiner — Prabhakar Deshmukh
(74) *Attorney, Agent, or Firm* — Sterne, Kessler, Goldstein & Fox PLLC

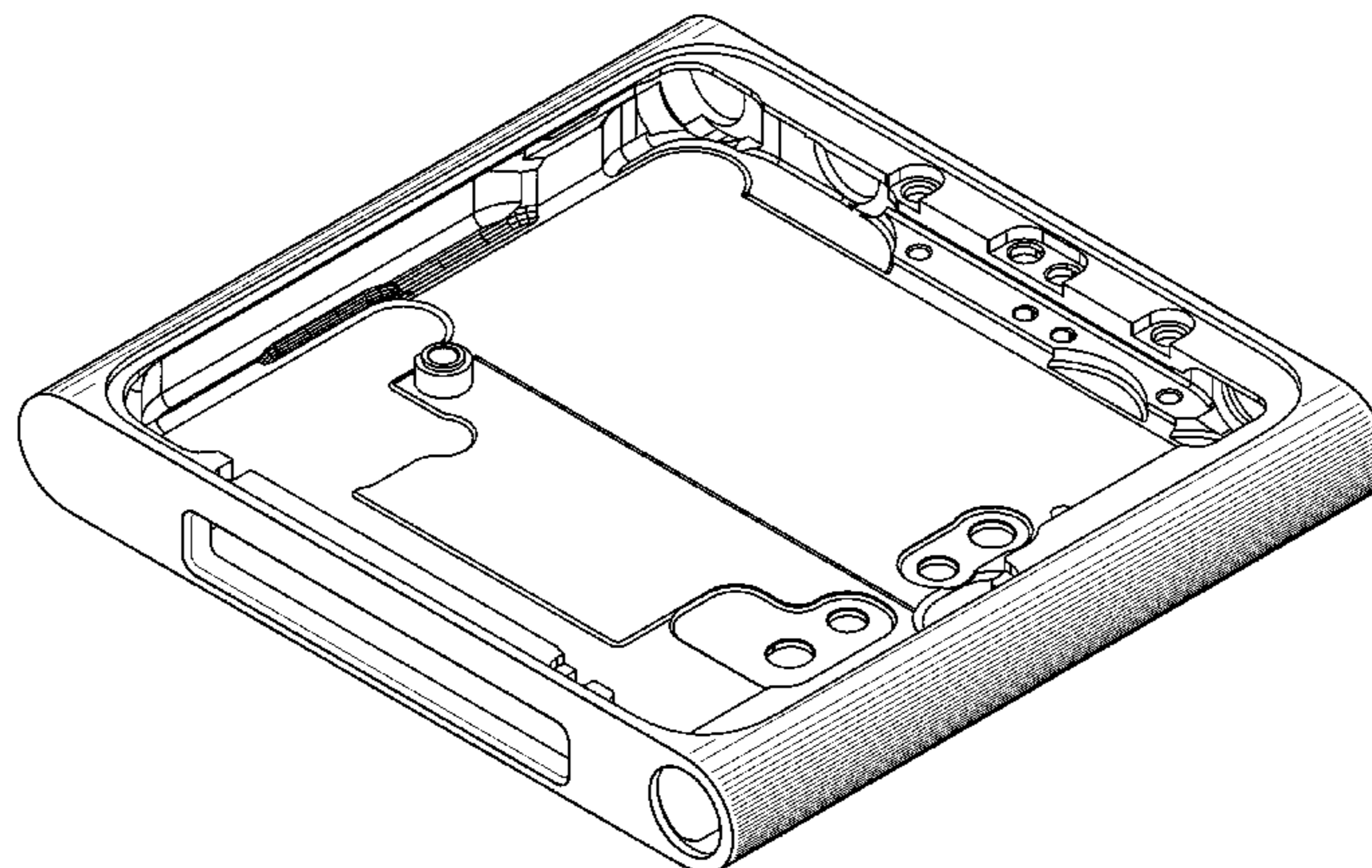
(57) **CLAIM**

The ornamental design for a housing for an electronic device, as shown and described.

DESCRIPTION

FIG. 1 is a front bottom perspective view of a housing for an electronic device showing our new design; FIG. 2 is a front view thereof; FIG. 3 is a rear view thereof; FIG. 4 is a bottom view thereof; FIG. 5 is a top view thereof; FIG. 6 is a side view thereof; and, FIG. 7 is another side view thereof. The shade lines in the Figures show contour and not surface ornamentation.

1 Claim, 5 Drawing Sheets



US D653,675 S

Page 2

U.S. PATENT DOCUMENTS

D446,499 S 8/2001 Andre et al.
6,354,477 B1 * 3/2002 Trummer 224/575
D473,207 S 4/2003 Tanio
6,567,011 B1 * 5/2003 Young et al. 340/12.28
6,595,860 B1 * 7/2003 Yamamoto et al. 463/43
D478,076 S * 8/2003 Hong D14/345
D503,409 S 3/2005 Wong et al.
D506,476 S 6/2005 Andre et al.
D515,545 S 2/2006 Griffin
D516,579 S 3/2006 Nakamura
7,013,164 B2 3/2006 Lin
D520,502 S 5/2006 Xu et al.
D534,184 S 12/2006 Leija et al.
D534,545 S 1/2007 Leija et al.
D539,814 S 4/2007 Andre et al.
D551,680 S 9/2007 Andre et al.
D555,171 S * 11/2007 Dai D14/496
D559,860 S 1/2008 Andre et al.
D559,861 S 1/2008 Andre et al.
D560,228 S 1/2008 Andre et al.
D563,434 S * 3/2008 Dai D14/496
D568,338 S 5/2008 Andre et al.
D569,389 S 5/2008 Andre et al.
D570,876 S 6/2008 Lee
D574,014 S 7/2008 Dai
D575,304 S 8/2008 Andre et al.
D577,990 S 10/2008 Andre et al.
D579,952 S 11/2008 Yamada

D580,953 S 11/2008 Andre et al.
D585,077 S 1/2009 Sheba et al.
D586,740 S 2/2009 Song
D586,741 S 2/2009 Song
D588,545 S 3/2009 Andre et al.
D589,530 S 3/2009 Andre et al.
D590,826 S * 4/2009 Andre et al. D14/341
D591,766 S 5/2009 Andre et al.
D592,677 S 5/2009 Sheba et al.
D593,994 S 6/2009 Andre et al.
D597,090 S 7/2009 Bemelmans
D597,558 S 8/2009 Andre et al.
D601,172 S 9/2009 Andre et al.
D606,040 S 12/2009 Andre et al.
D608,342 S 1/2010 Andre et al.
D616,899 S 6/2010 Andre et al.
D618,206 S 6/2010 Andre et al.
D618,207 S 6/2010 Andre et al.
D627,367 S 11/2010 Andre et al.
D629,789 S 12/2010 Andre et al.
2005/0049015 A1 3/2005 Wang

OTHER PUBLICATIONS

U.S. Appl. No. 29/380,889, Andre et al., "Media Device", filed Dec. 13, 2010.
U.S. Appl. No. 29/384,096, Andre et al., "Media Device", filed Jan. 26, 2011.

* cited by examiner

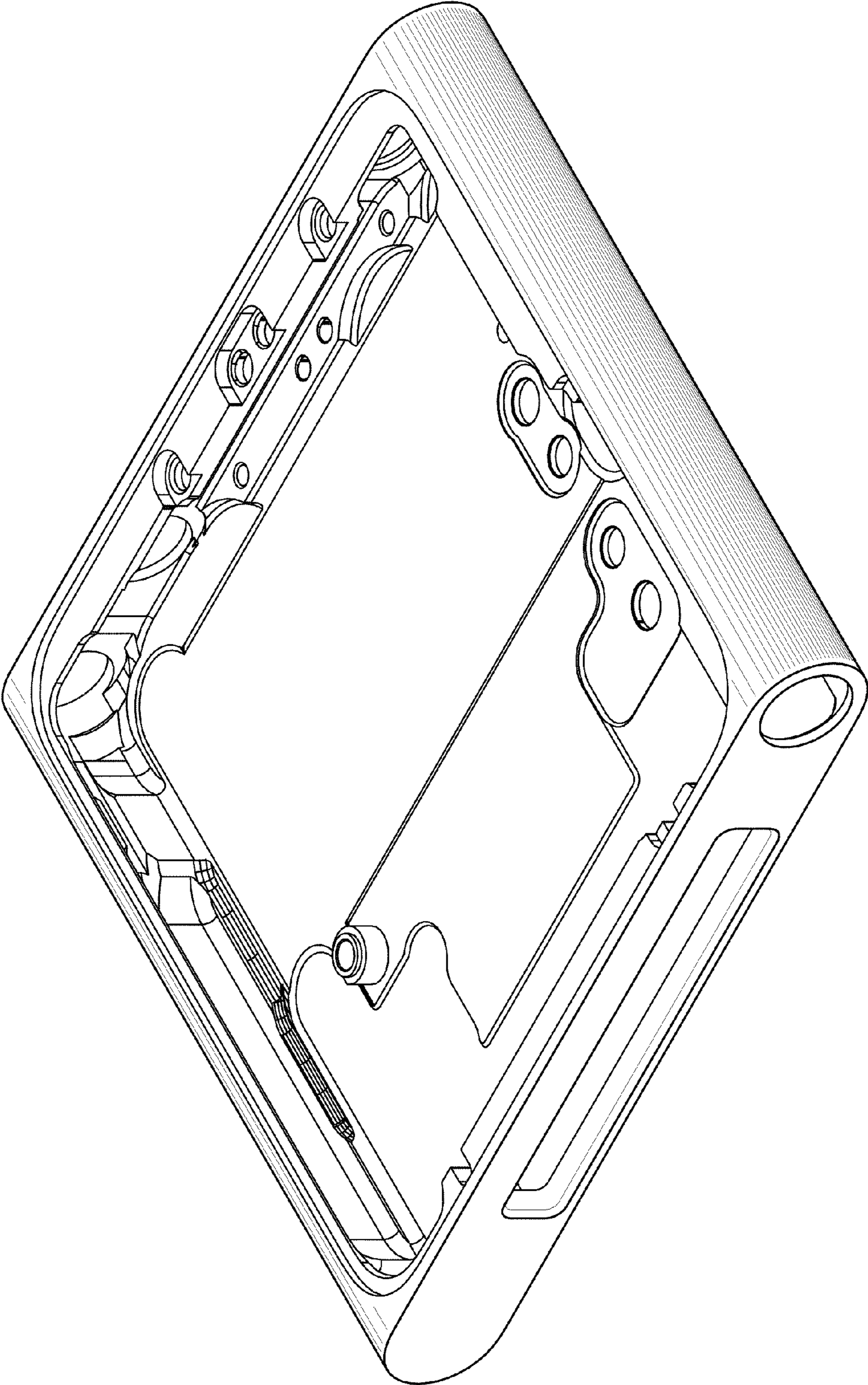


FIG. 1

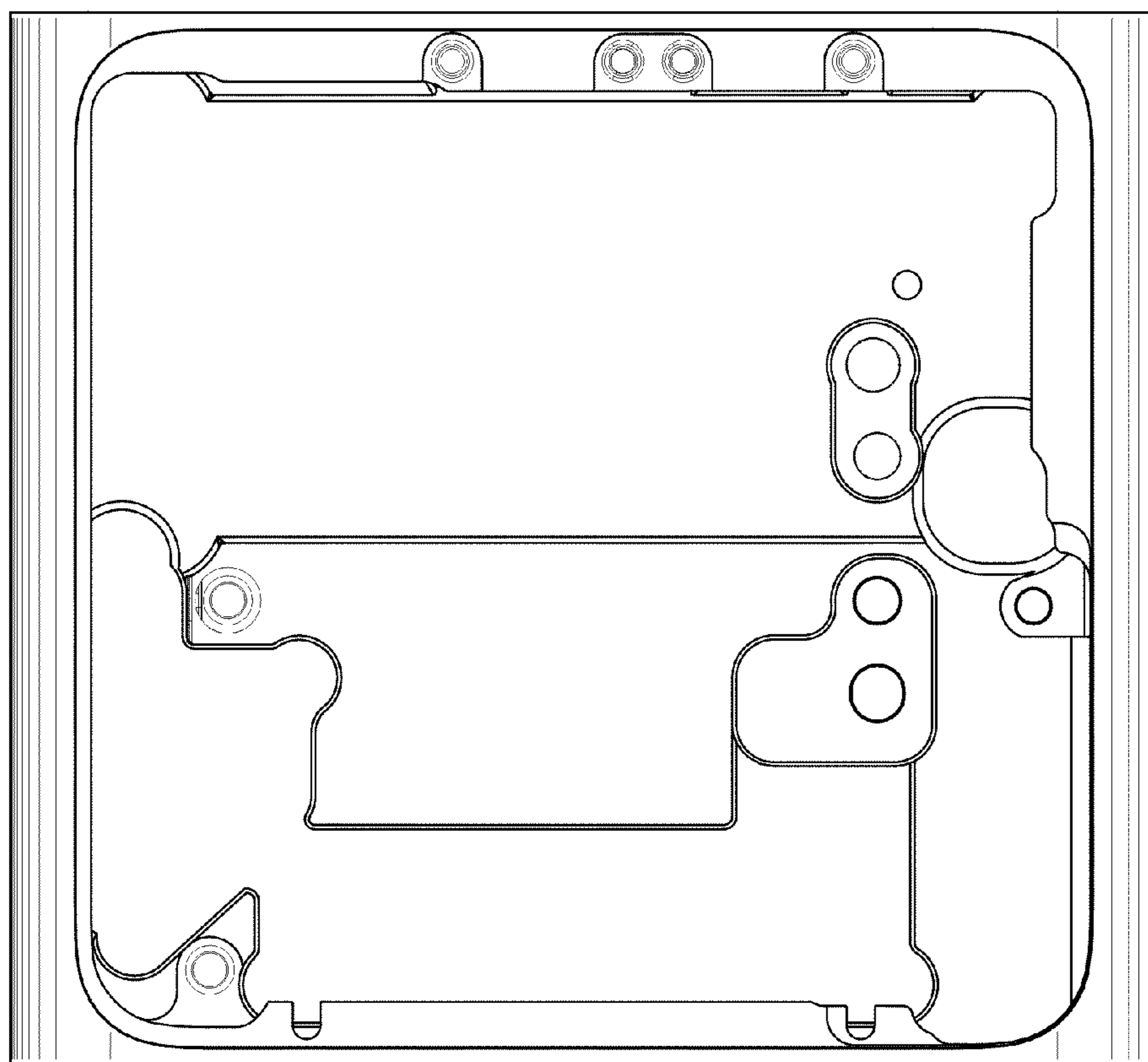


FIG.2

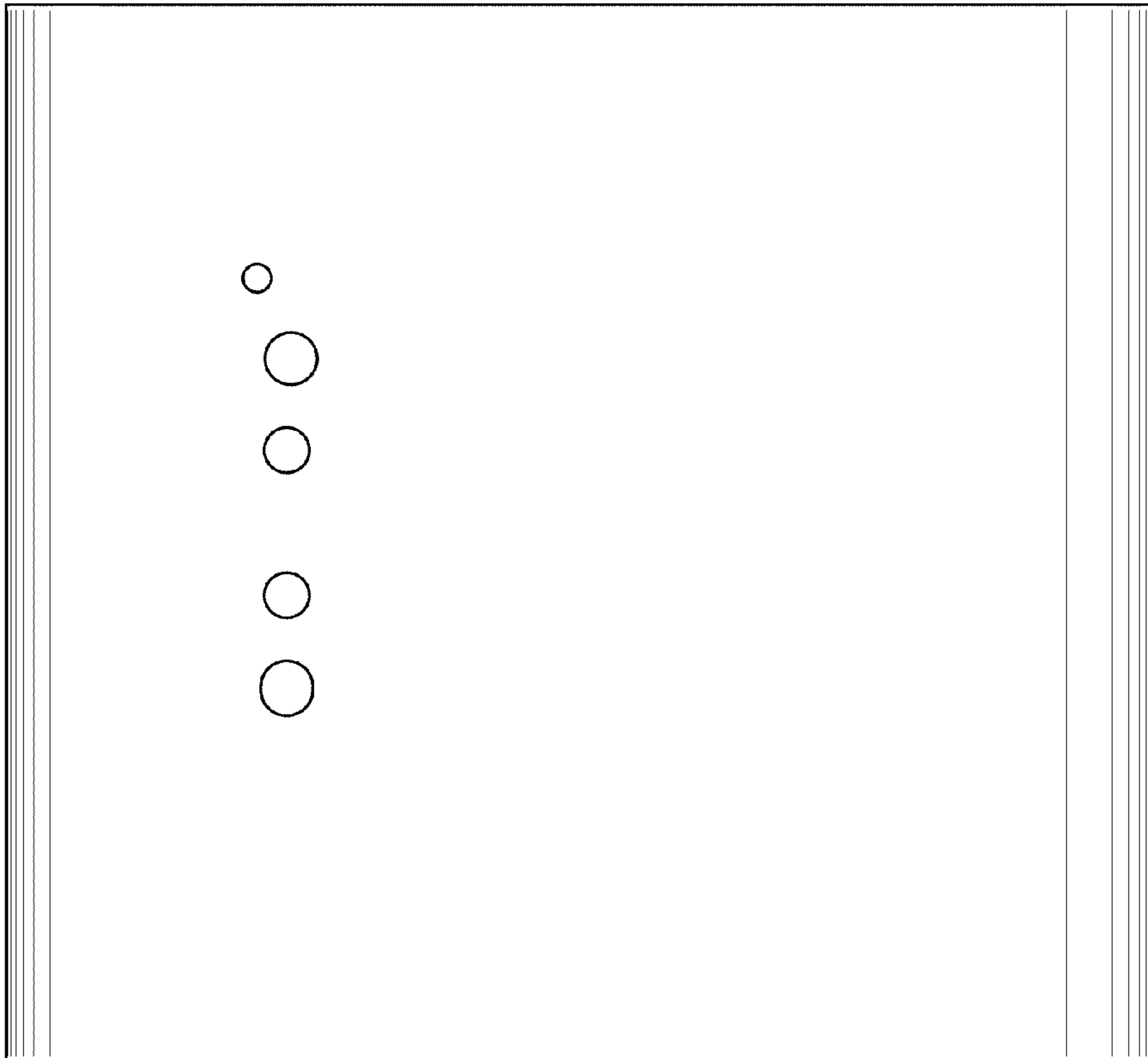


FIG.3

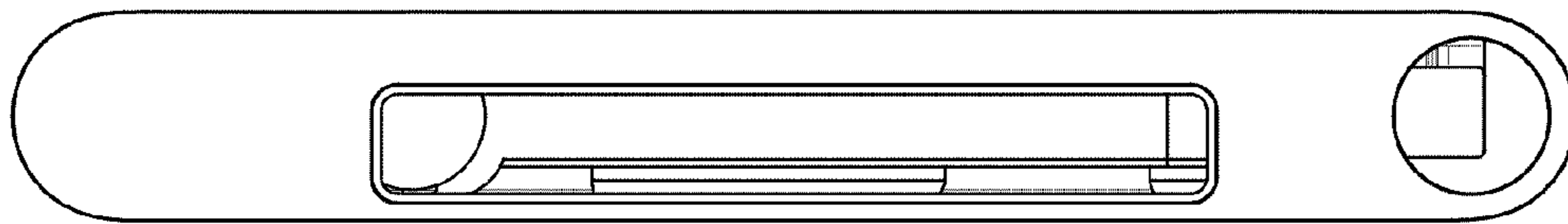


FIG.4

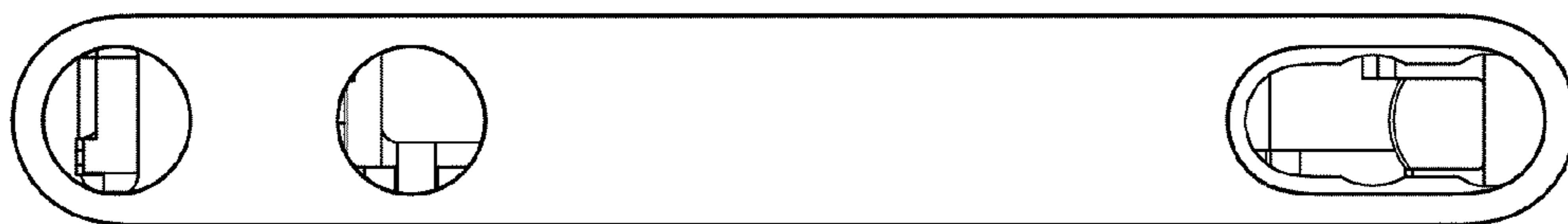


FIG.5

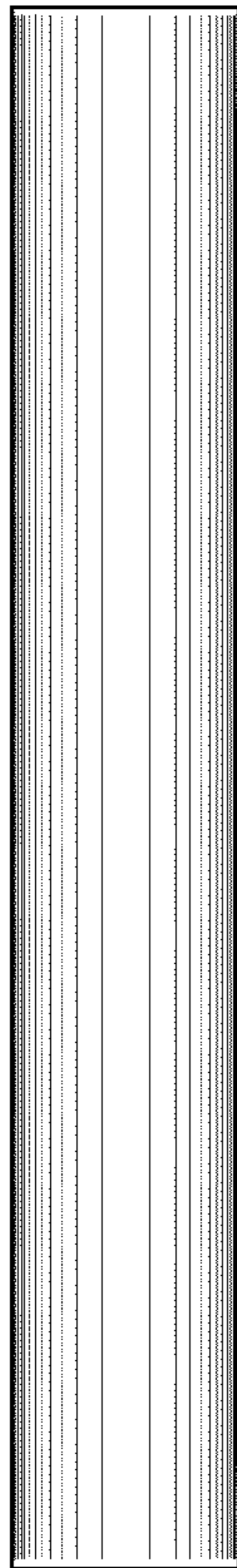


FIG. 6

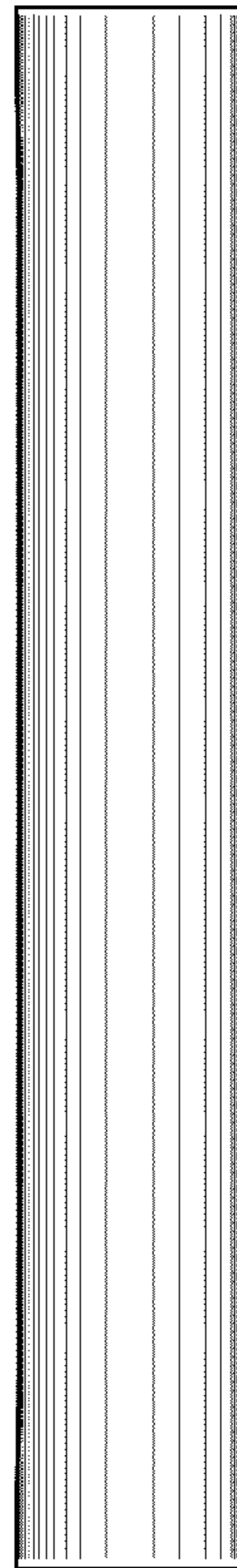


FIG. 7