



US00D653670S

(12) **United States Design Patent**
Lee et al.

(10) **Patent No.:** **US D653,670 S**
(45) **Date of Patent:** **** Feb. 7, 2012**

(54) **HOUSING FOR A PORTABLE MEMORY DEVICE**

(75) Inventors: **Chung En Lee**, Kaohsiung (TW); **Hsi Ming Tsai**, Zhudong Township (TW); **Feng Sheng Lin**, Daxi Township (TW); **Ming Ching Wang**, Hsinchu (TW)

(73) Assignee: **Kingston Technology Corporation**, Fountain Valley, CA (US)

(**) Term: **14 Years**

(21) Appl. No.: **29/373,189**

(22) Filed: **Mar. 15, 2011**

(51) **LOC (9) Cl.** **14-02**

(52) **U.S. Cl.** **D14/480.6**

(58) **Field of Classification Search** D14/411,
D14/433, 435.1, 436, 480.1–480.7, 484.1,
D14/137, 155, 203.1–203.8, 240; D13/133,
D13/154; 710/300, 301; 439/131, 135–147;
361/679.31, 679.33, 679.4, 752; 711/100,
711/115

See application file for complete search history.

(56) **References Cited**

U.S. PATENT DOCUMENTS

D500,301 S * 12/2004 Deguchi D14/480.4
6,926,544 B2 * 8/2005 Lee 439/147
6,932,629 B2 * 8/2005 Ikenoue 439/138
D556,197 S * 11/2007 Blankenship et al. D14/480.6
D581,926 S * 12/2008 Kim D14/480.6
7,473,112 B2 * 1/2009 Zhu et al. 439/142
D618,694 S * 6/2010 Andre D14/480.6
D620,016 S * 7/2010 Lo D14/480.6

D623,192 S * 9/2010 Peng D14/480.6
7,813,116 B2 * 10/2010 Hsu 361/679.33
2010/0075517 A1 * 3/2010 Ni et al. 439/131

* cited by examiner

Primary Examiner — Karen E Kearney

(74) *Attorney, Agent, or Firm* — Duncan Palmatier

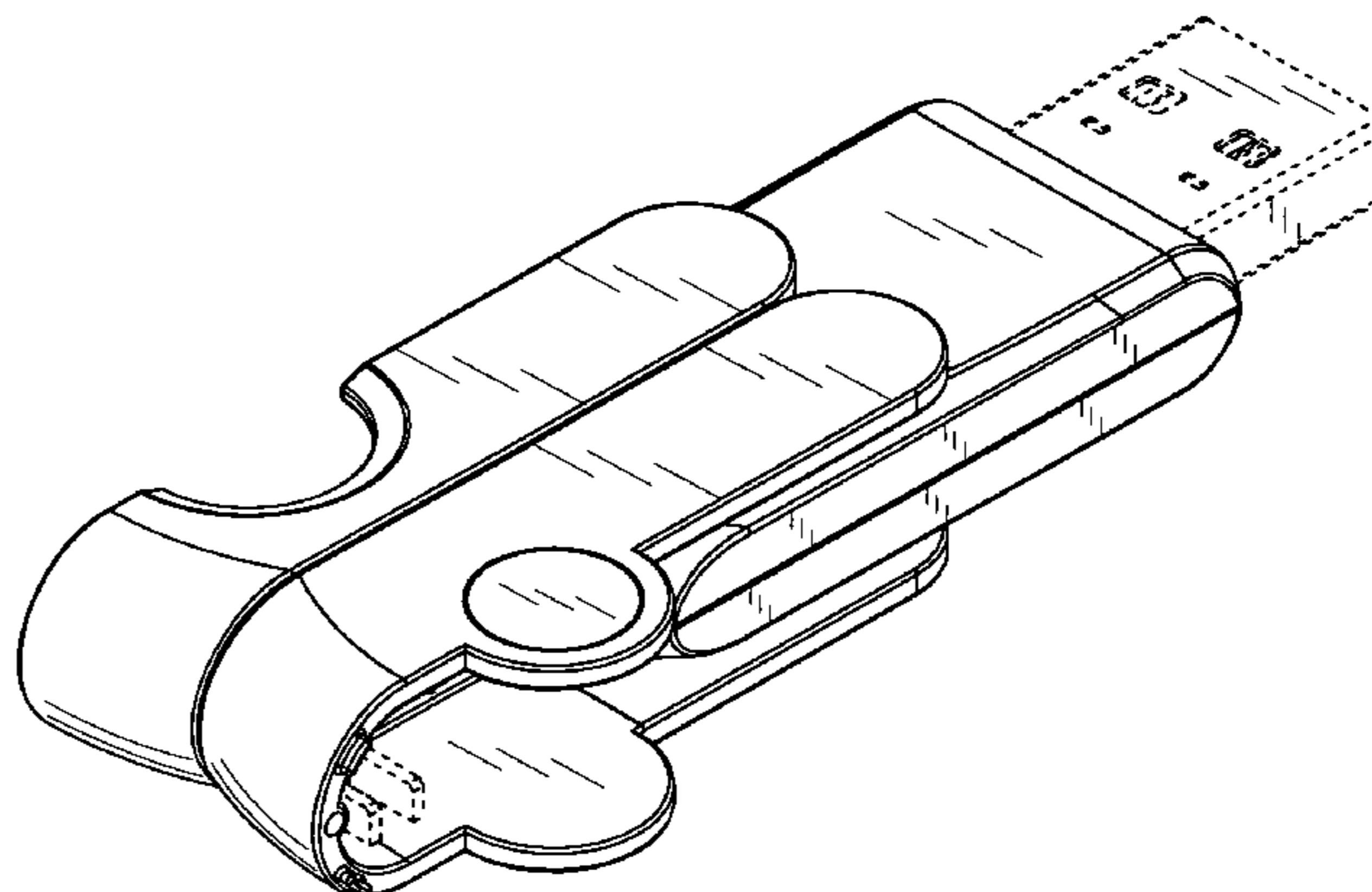
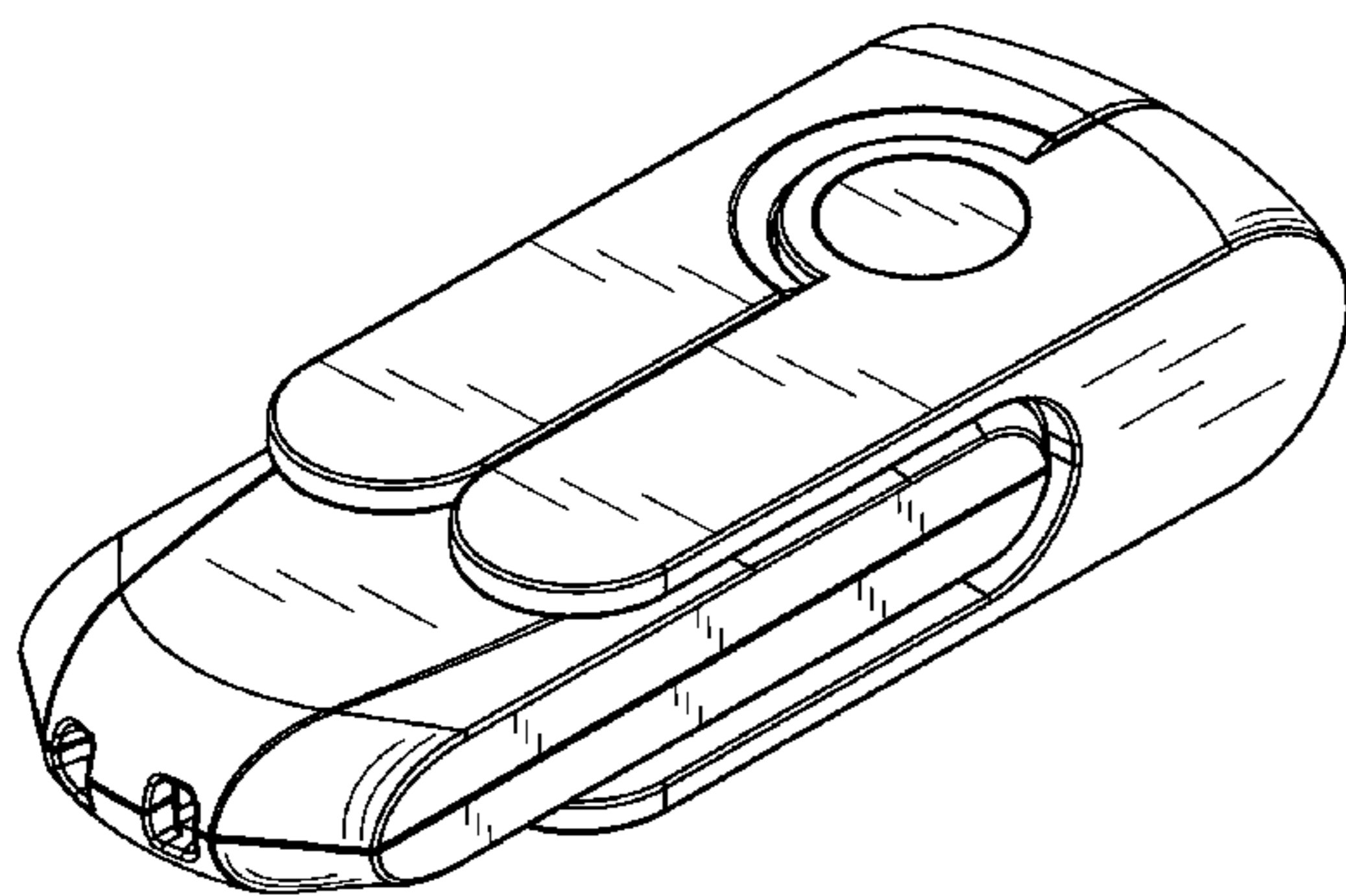
(57) **CLAIM**

The ornamental design for the housing for a portable memory device, as shown and described.

DESCRIPTION

FIG. 1 is a front perspective view of a housing for a portable memory device showing my new design;
FIG. 2 is a top view thereof;
FIG. 3 is a left side view thereof;
FIG. 4 is a bottom view thereof;
FIG. 5 is a right side view thereof;
FIG. 6 is a rear view thereof;
FIG. 7 is a front view thereof;
FIG. 8 is a front perspective view of a housing for a portable memory device, showing the design with the cover in the open position;
FIG. 9 is a top view thereof;
FIG. 10 is a right side view thereof;
FIG. 11 is a rear view thereof; and,
FIG. 12 is a front view thereof.
The broken line showings of the USB connector in FIGS. 8-11 and the connecting points of the cover in FIGS. 8 and 10 are for the purpose of illustrating unclaimed portions of the housing for a portable memory device and form no part of the claimed design.

1 Claim, 12 Drawing Sheets



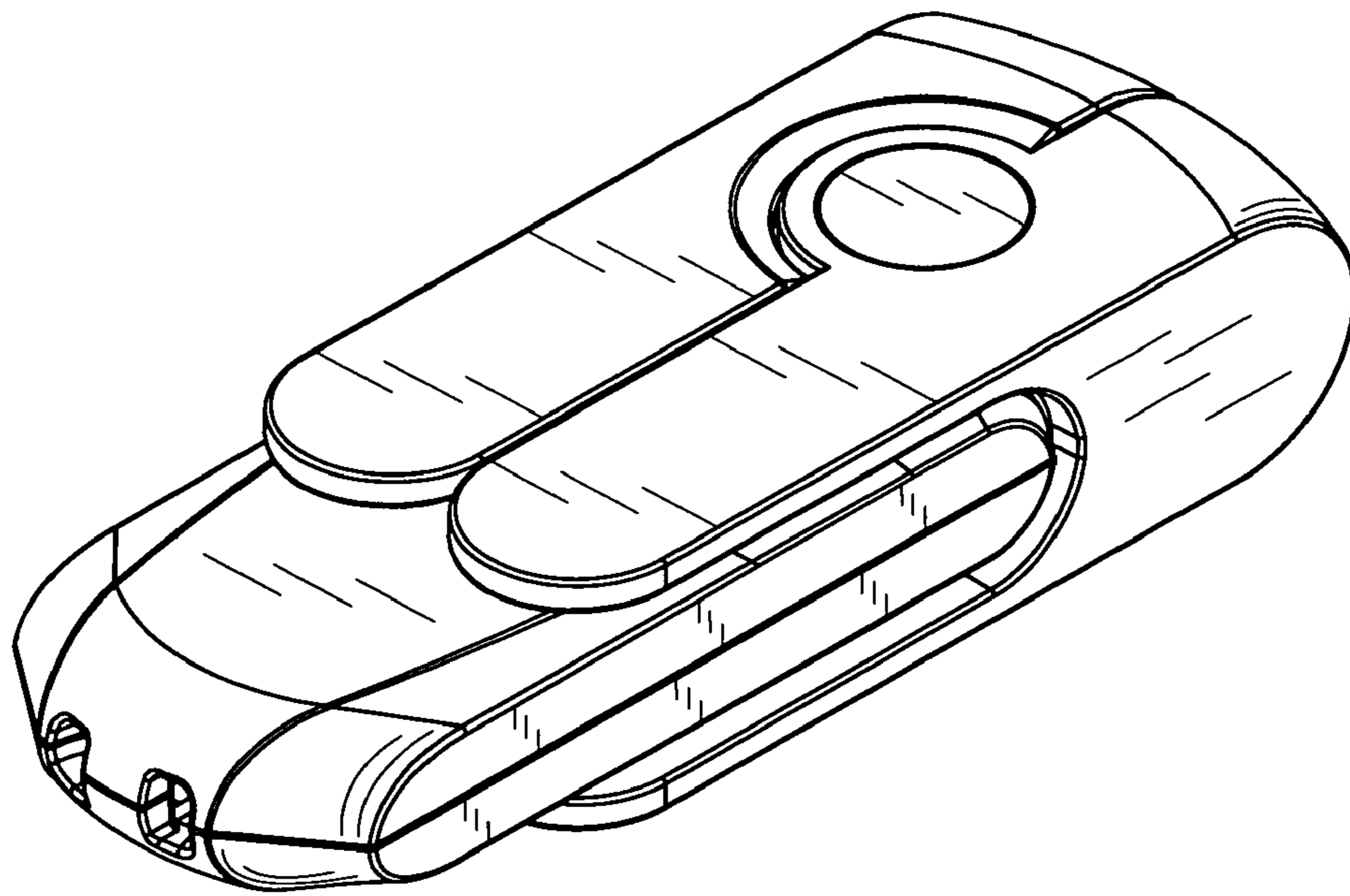


FIG. 1

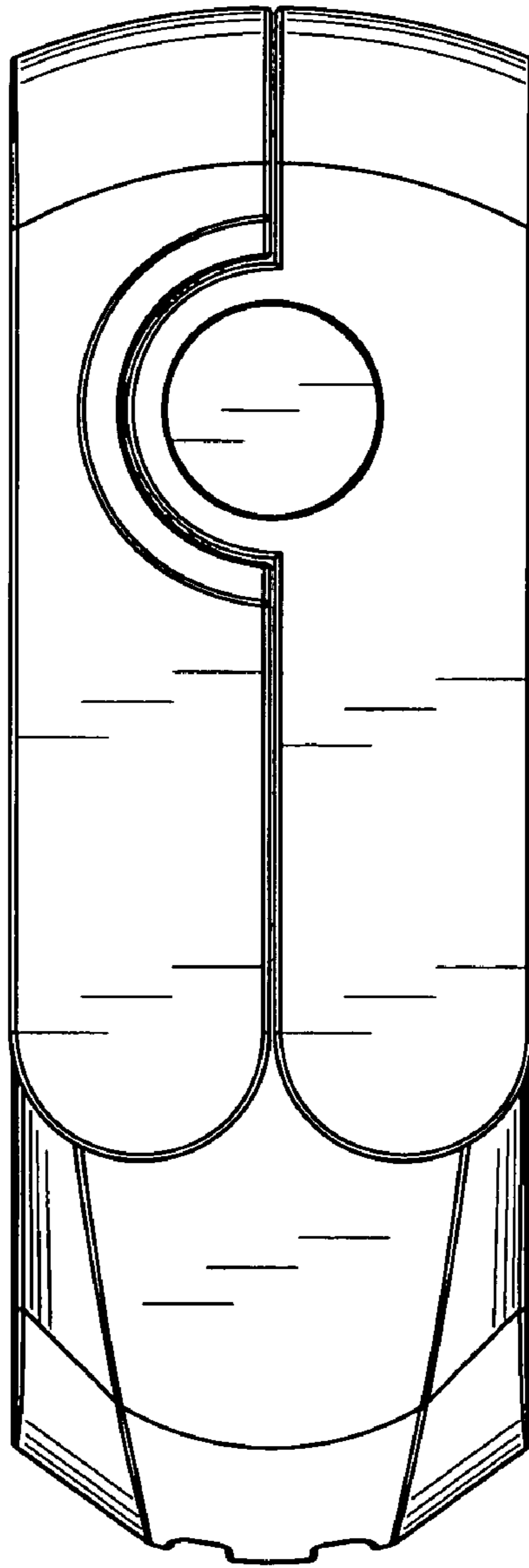


FIG. 2

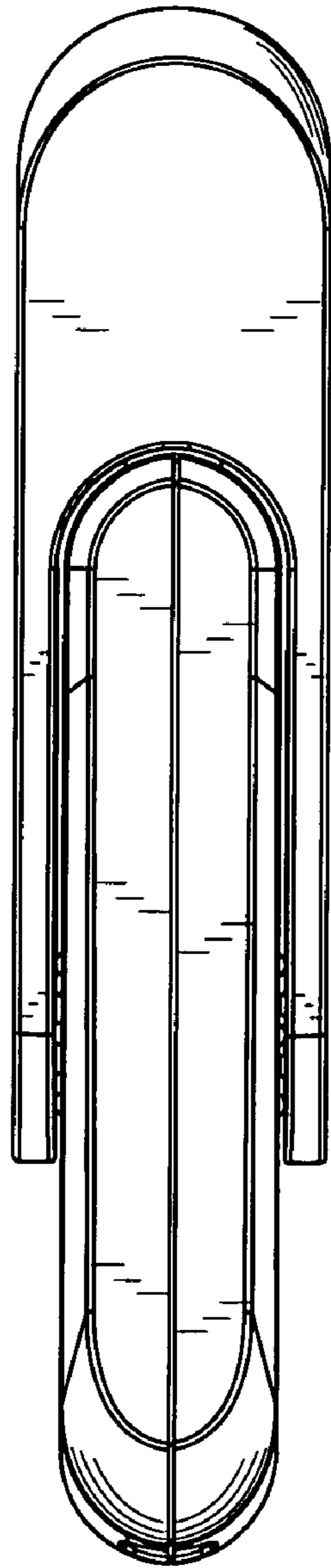


FIG. 3

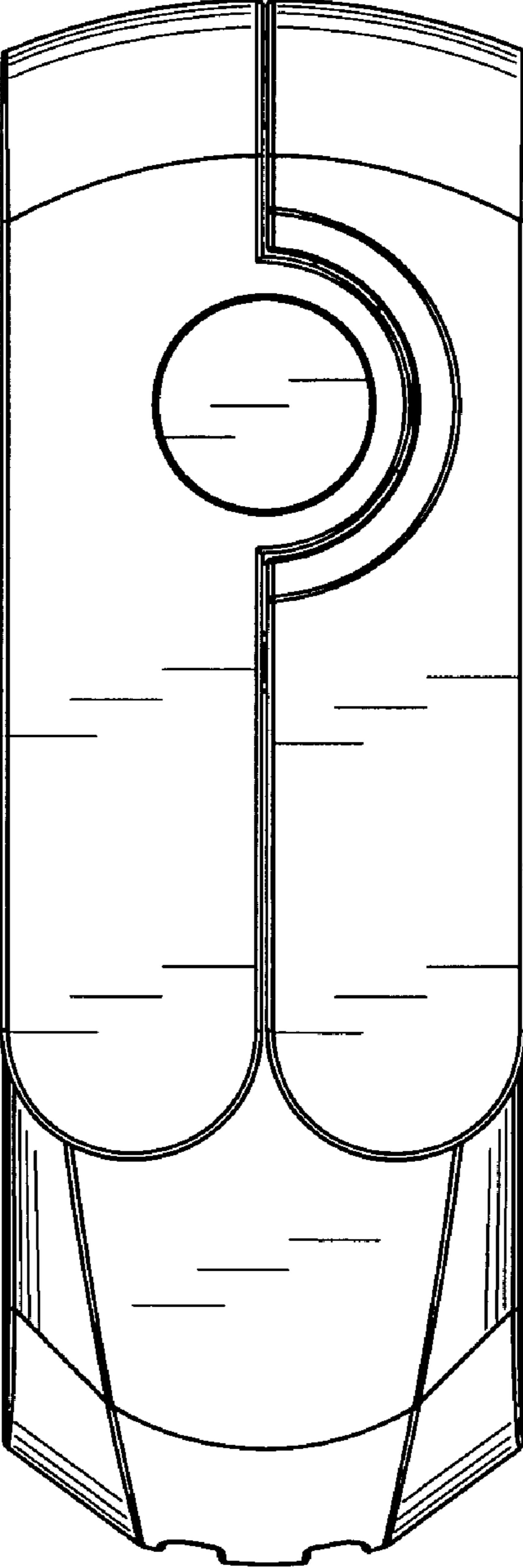


FIG. 4

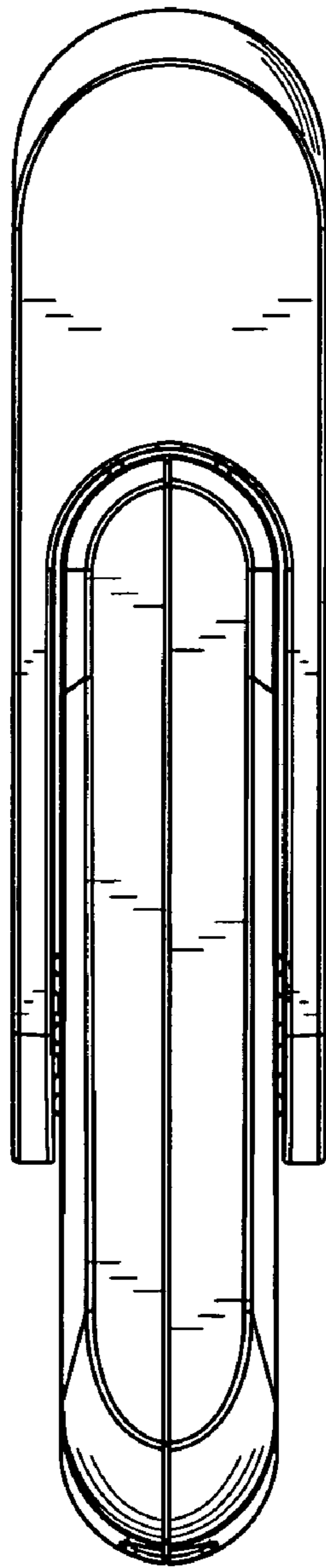


FIG. 5

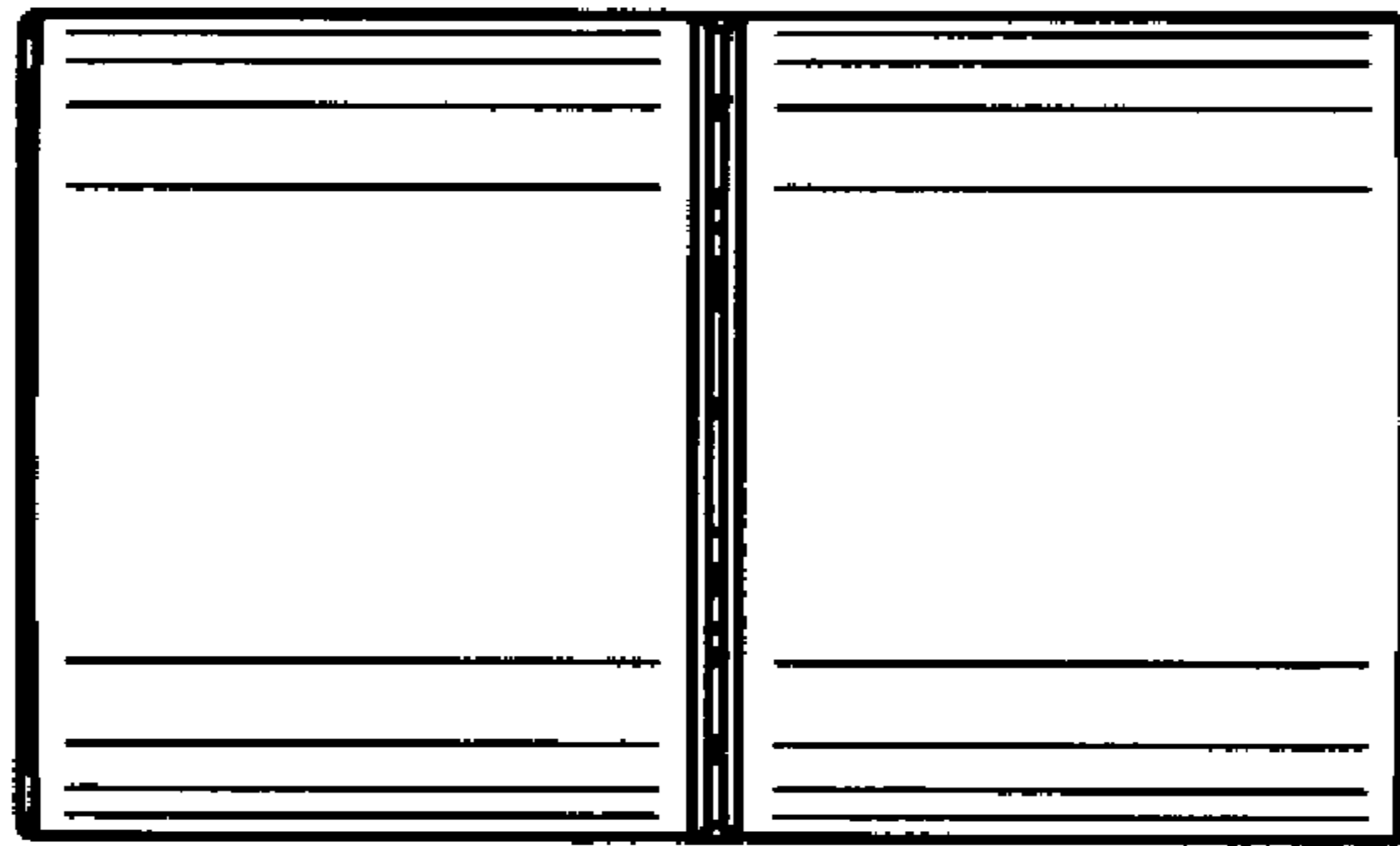


FIG. 6

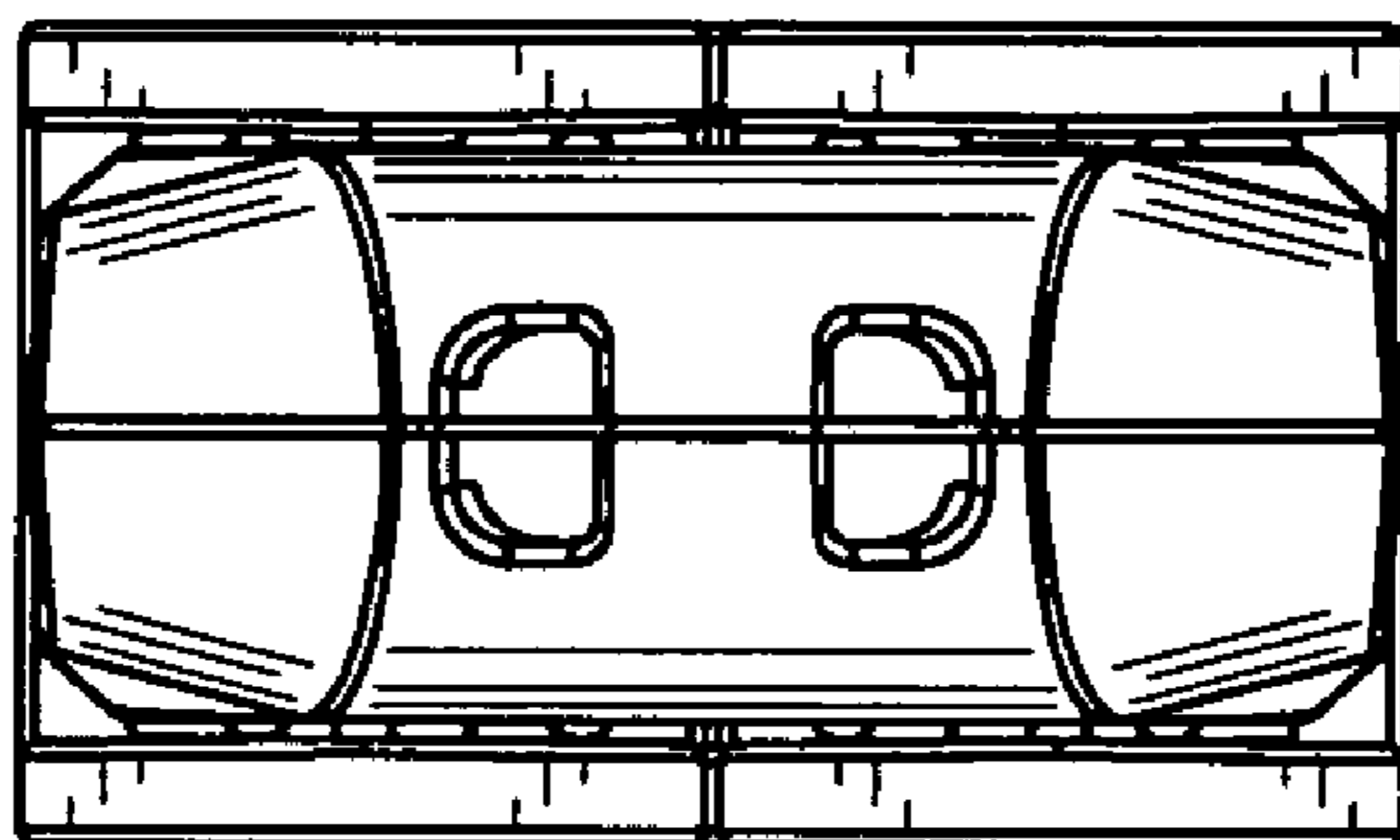


FIG. 7

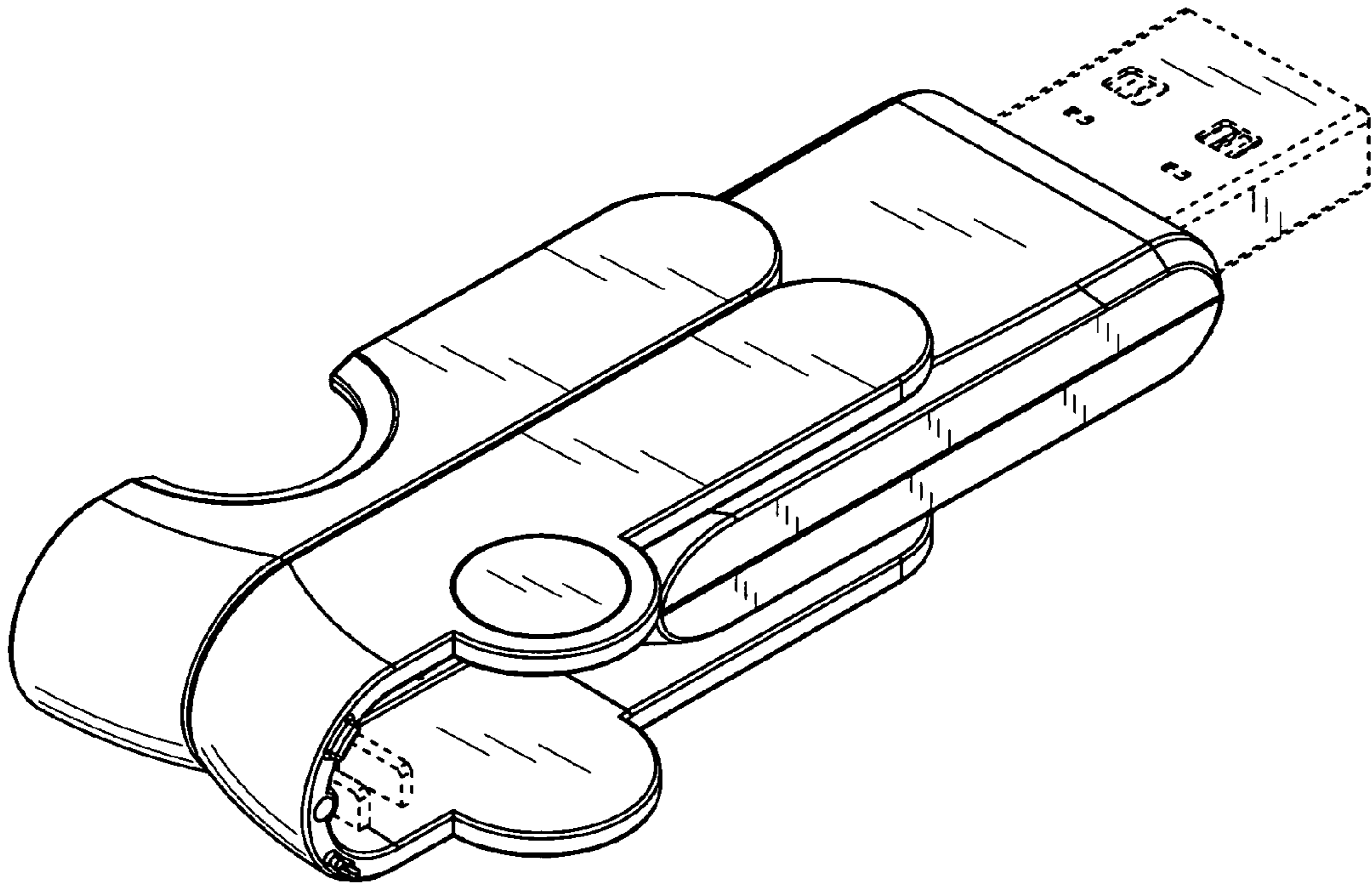


FIG. 8

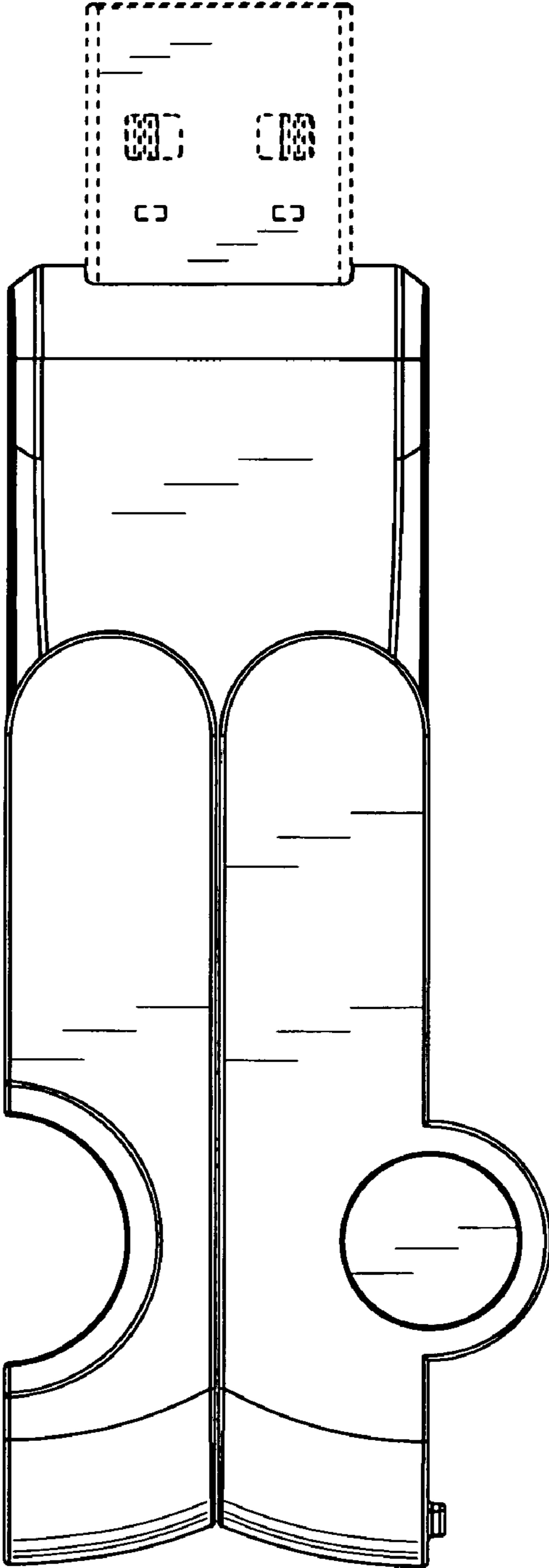


FIG. 9

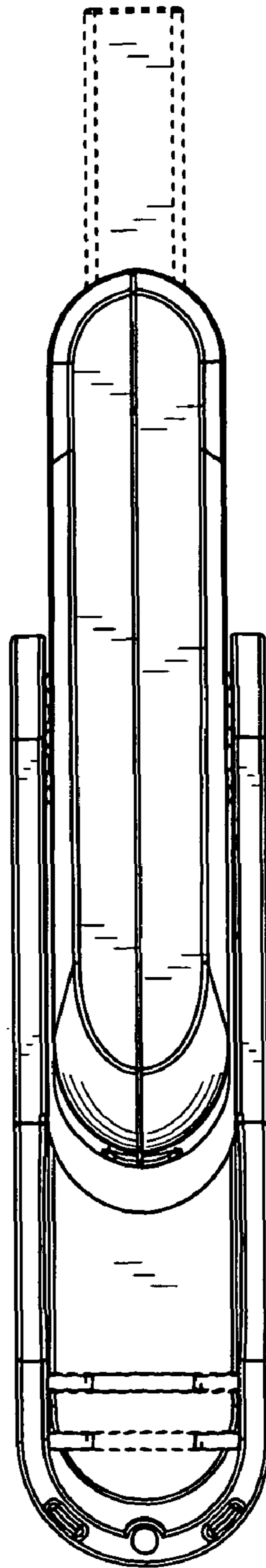


FIG. 10

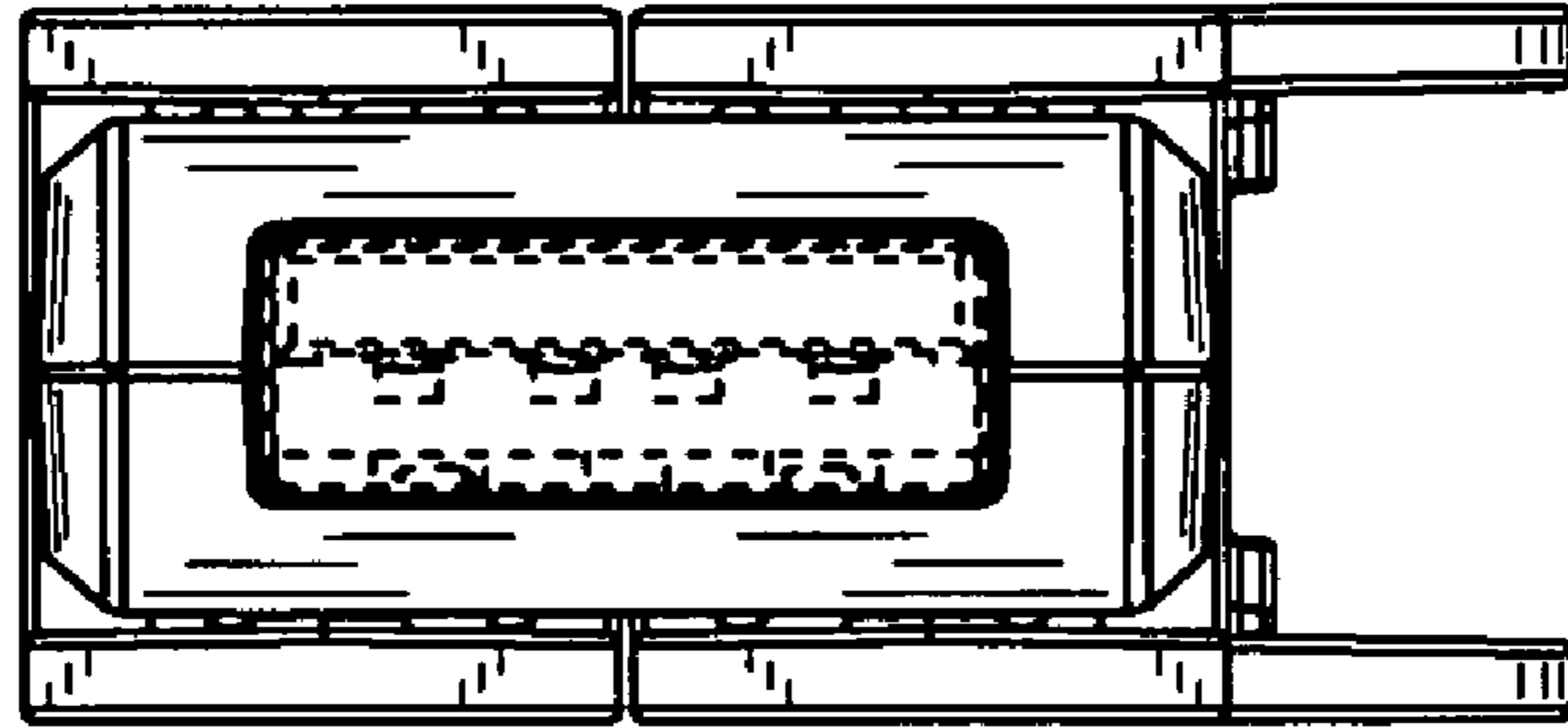


FIG. 11

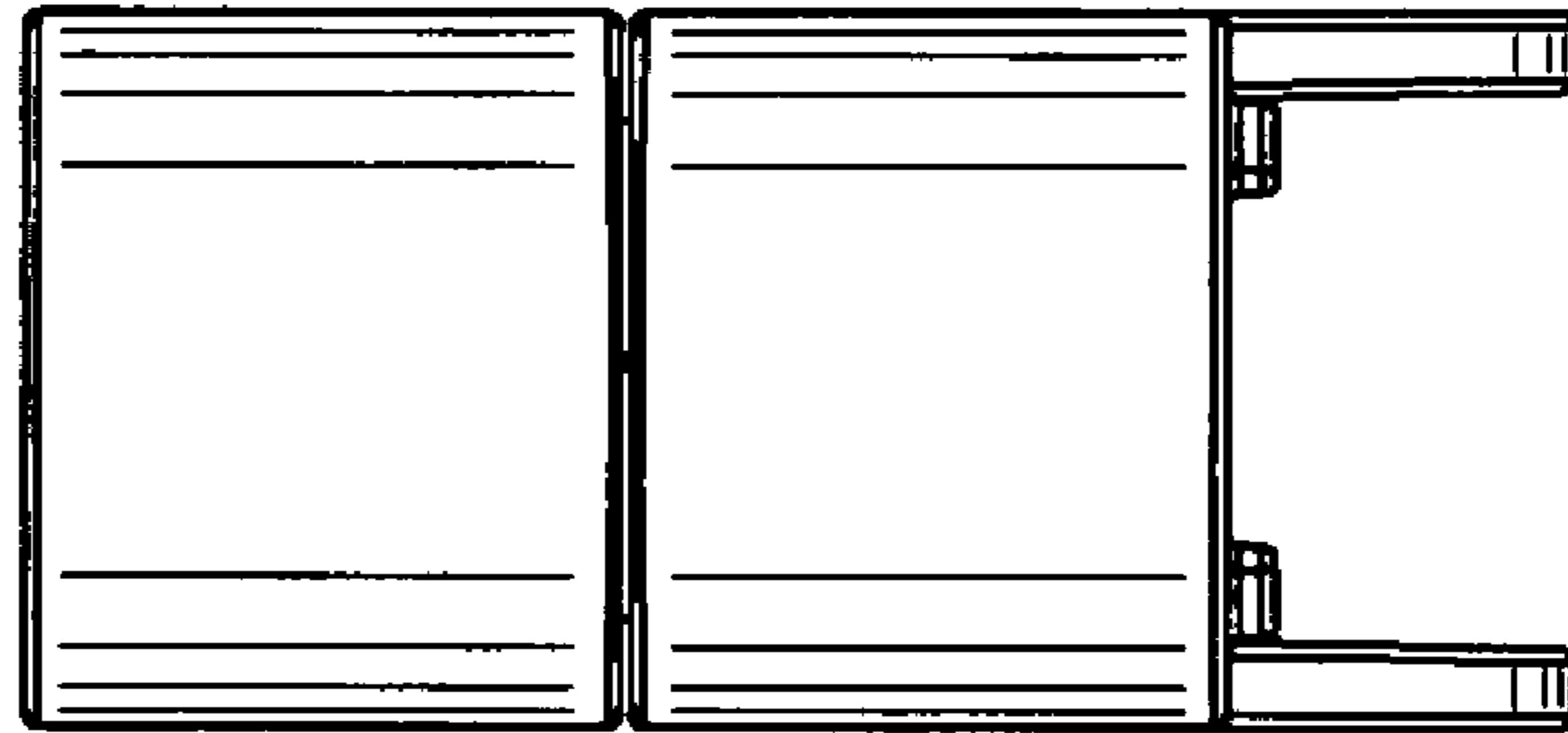


FIG. 12