



US00D653669S

(12) **United States Design Patent**
Kim et al.

(10) **Patent No.:** **US D653,669 S**
(45) **Date of Patent:** **** Feb. 7, 2012**

(54) **CRADLE FOR NOTEBOOK COMPUTER**

(75) Inventors: **Dae-Joung Kim**, Seoul (KR); **Woo-Seok Lee**, Seoul (KR); **Sang-II Park**, Kyunggi-do (KR); **Soo-Jung Ham**, Seoul (KR)

(73) Assignee: **Samsung Electronics Co., Ltd.**, Suwon (KR)

(**) Term: **14 Years**

(21) Appl. No.: **29/390,418**

(22) Filed: **Apr. 25, 2011**

(30) **Foreign Application Priority Data**

Dec. 23, 2010 (KR) 30-2010-0055468

(51) **LOC (9) Cl.** **14-02**

(52) **U.S. Cl.** **D14/447**

(58) **Field of Classification Search** D14/447, D14/448, 451, 452, 432, 434, 439, 440, 457, D14/460, 461, 239, 250, 251, 253, 217, 238.1; D3/218; D6/310, 312, 311, 406.3, 406.4, D6/406.5, 406.6, 419; 248/917-924, 688, 248/441.1, 451, 454, 460, 463, 136, 149, 248/150, 164, 166, 176.2, 176.3, 176.1, 346.03, 248/346.3; 361/679.02, 679.09, 679.21, 361/679.22, 379.26, 679.27, 679.28, 679.29, 361/679.3, 679.46, 679.47, 679.48, 679.55, 361/679.56, 679.57, 679.58, 679.59, 679.6; 150/165; 224/929, 930; D13/108

See application file for complete search history.

(56) **References Cited**

U.S. PATENT DOCUMENTS

D331,573 S * 12/1992 Iino D14/434
D351,133 S 10/1994 Jungels-Butler et al.
D413,872 S * 9/1999 Jessen D14/447
D437,709 S * 2/2001 Edstrom D6/406.4
D445,975 S 7/2001 Stratford

D477,604 S 7/2003 Lin
D499,574 S * 12/2004 Spicer D6/406.3
D506,204 S * 6/2005 Bain D14/451
D515,029 S 2/2006 Hattori
D519,121 S * 4/2006 Zamanian D14/447
D520,944 S 5/2006 Morita
D555,655 S * 11/2007 Iu D14/447
D556,129 S 11/2007 Choi et al.
D557,698 S * 12/2007 Lye D14/447
D579,004 S 10/2008 Bang et al.
D580,855 S 11/2008 Haspil et al.
D580,856 S 11/2008 Haspil et al.
D580,920 S * 11/2008 Wikel et al. D14/240
D603,840 S 11/2009 Lee et al.
D610,128 S 2/2010 Andre et al.
D610,985 S 3/2010 Fahrendorff
D619,567 S 7/2010 Kwon et al.
D620,481 S 7/2010 Lee et al.
D621,396 S 8/2010 Lee et al.
D623,132 S 9/2010 Yano
D626,541 S 11/2010 Kim et al.
D630,579 S 1/2011 Fahrendorff et al.

(Continued)

FOREIGN PATENT DOCUMENTS

KR 3005720160000 9/2010

Primary Examiner — Angela J Lee

(74) *Attorney, Agent, or Firm* — Wood, Herron & Evans, LLP

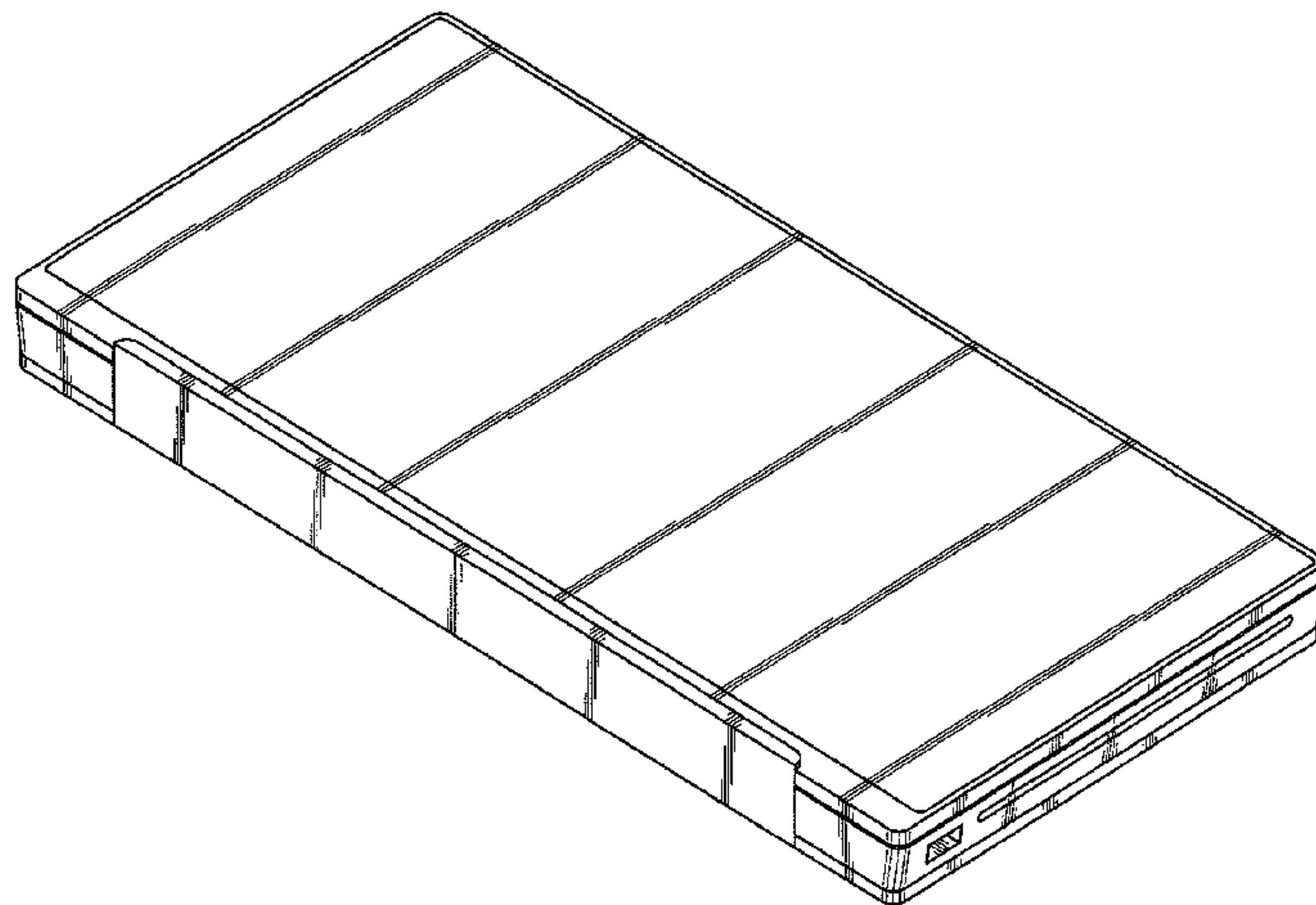
(57) **CLAIM**

The ornamental design for a cradle for notebook computer, as shown and described.

DESCRIPTION

FIG. 1 is a top front perspective view of a cradle for notebook computer showing our new design;
FIG. 2 is a front elevational view thereof;
FIG. 3 is a rear elevational view thereof;
FIG. 4 is a left side elevational view thereof;
FIG. 5 is a right side elevational view thereof;
FIG. 6 is a top plan view thereof; and,
FIG. 7 is a bottom plan view thereof.

1 Claim, 4 Drawing Sheets



US D653,669 S

Page 2

U.S. PATENT DOCUMENTS

D631,007 S	1/2011	Smith et al.		
D631,008 S	1/2011	Kuroda et al.		
D637,599 S *	5/2011	Liao	D14/447	
D641,024 S *	7/2011	Zenri et al.	D14/447	
D642,121 S	7/2011	Lee et al.		
D642,519 S	8/2011	Woo et al.		
D642,979 S	8/2011	Chun et al.		
D644,230 S *	8/2011	Lin	D14/447	
8,056,871 B2 *	11/2011	Matias	248/176.1	

* cited by examiner

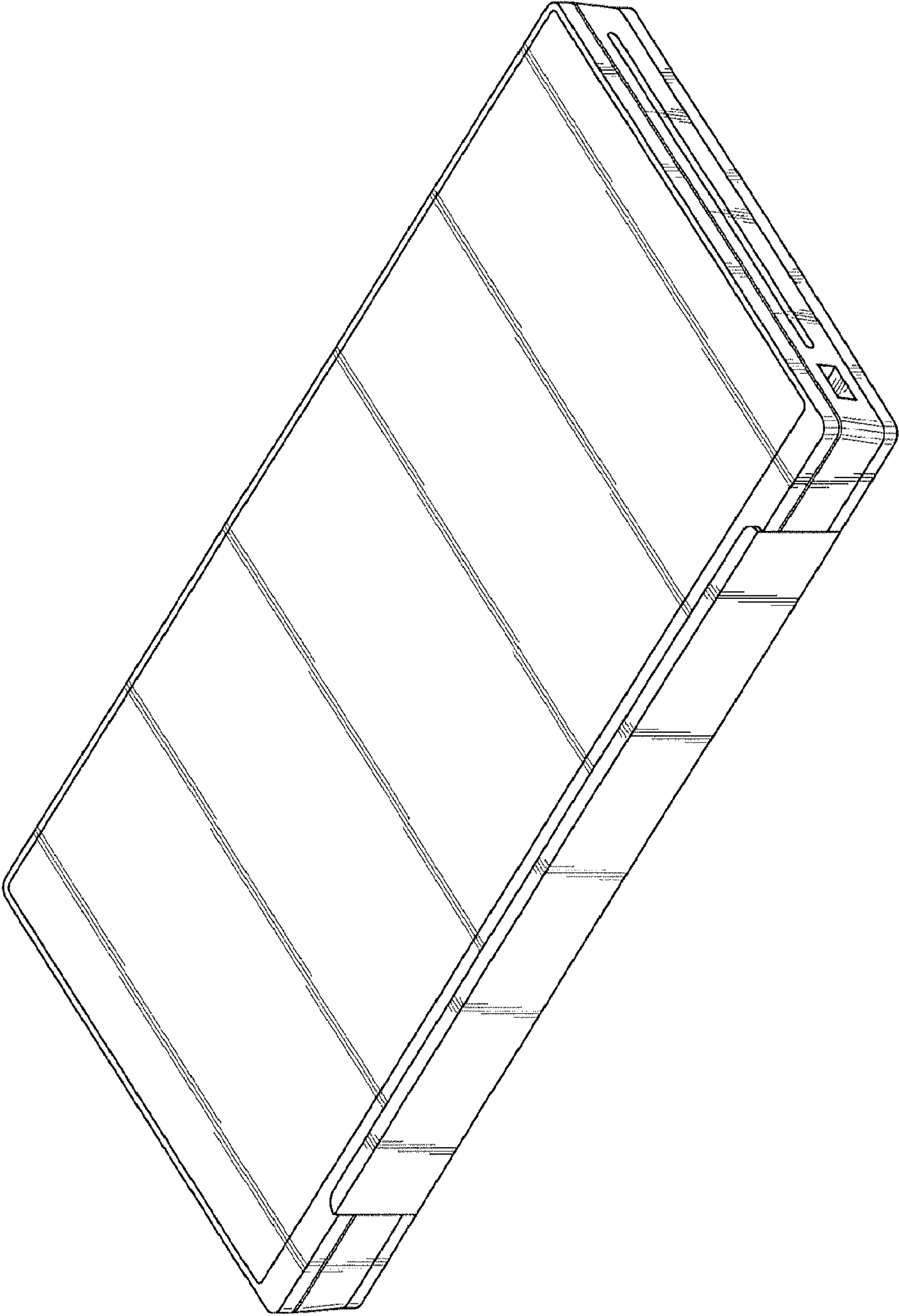


FIG.1

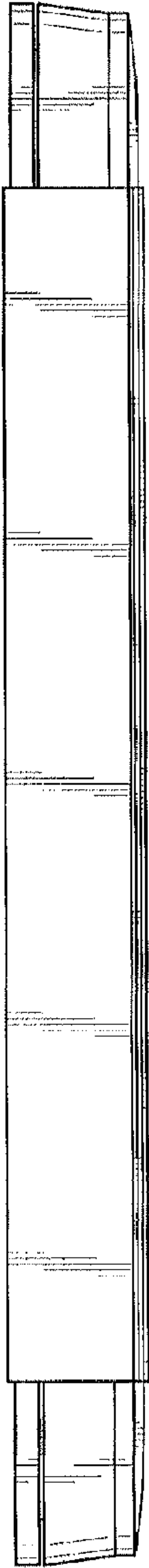


FIG. 2



FIG. 3

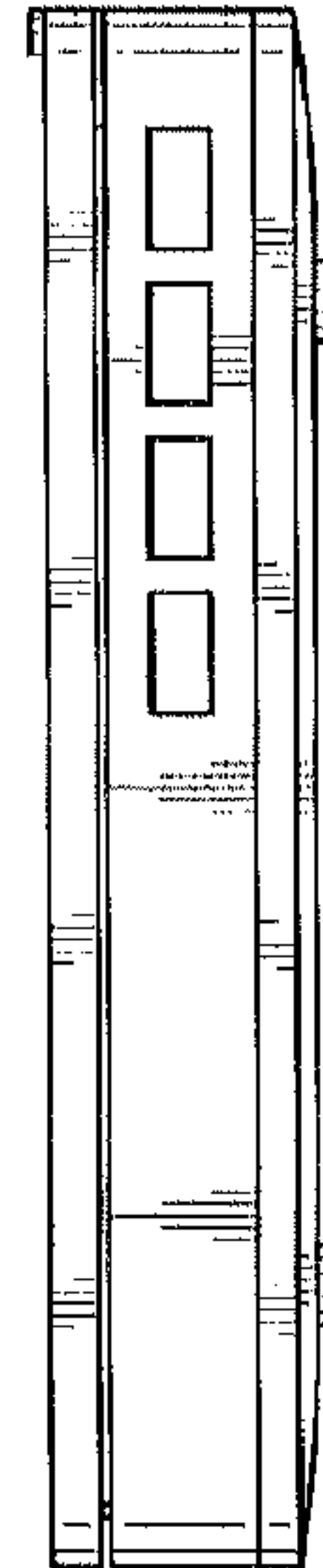


FIG. 4

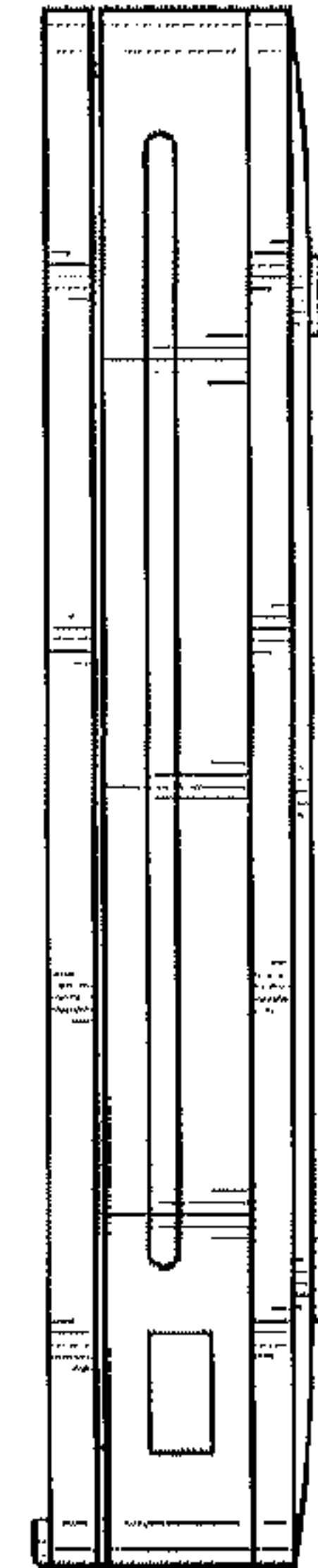


FIG. 5

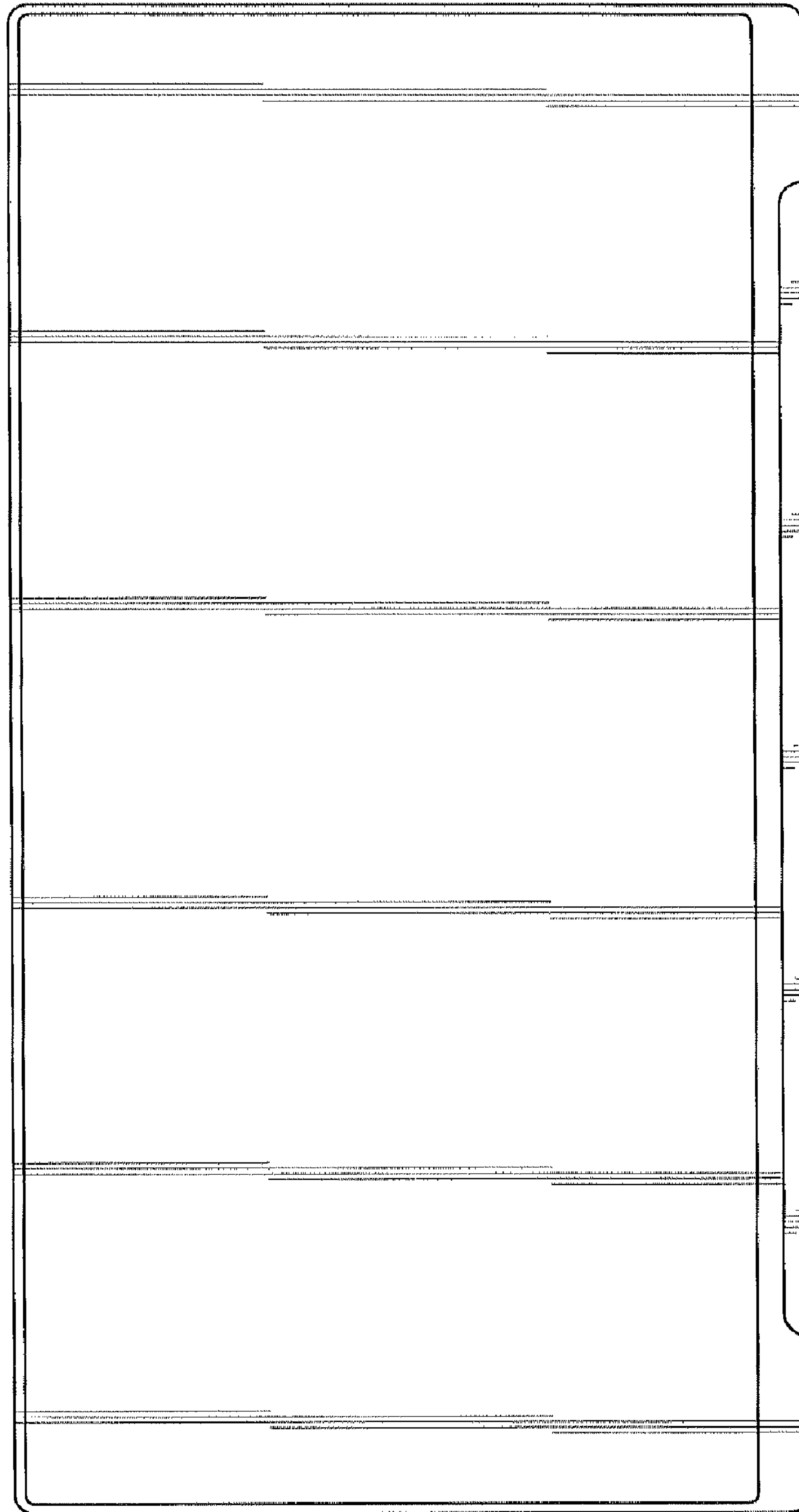


FIG.6

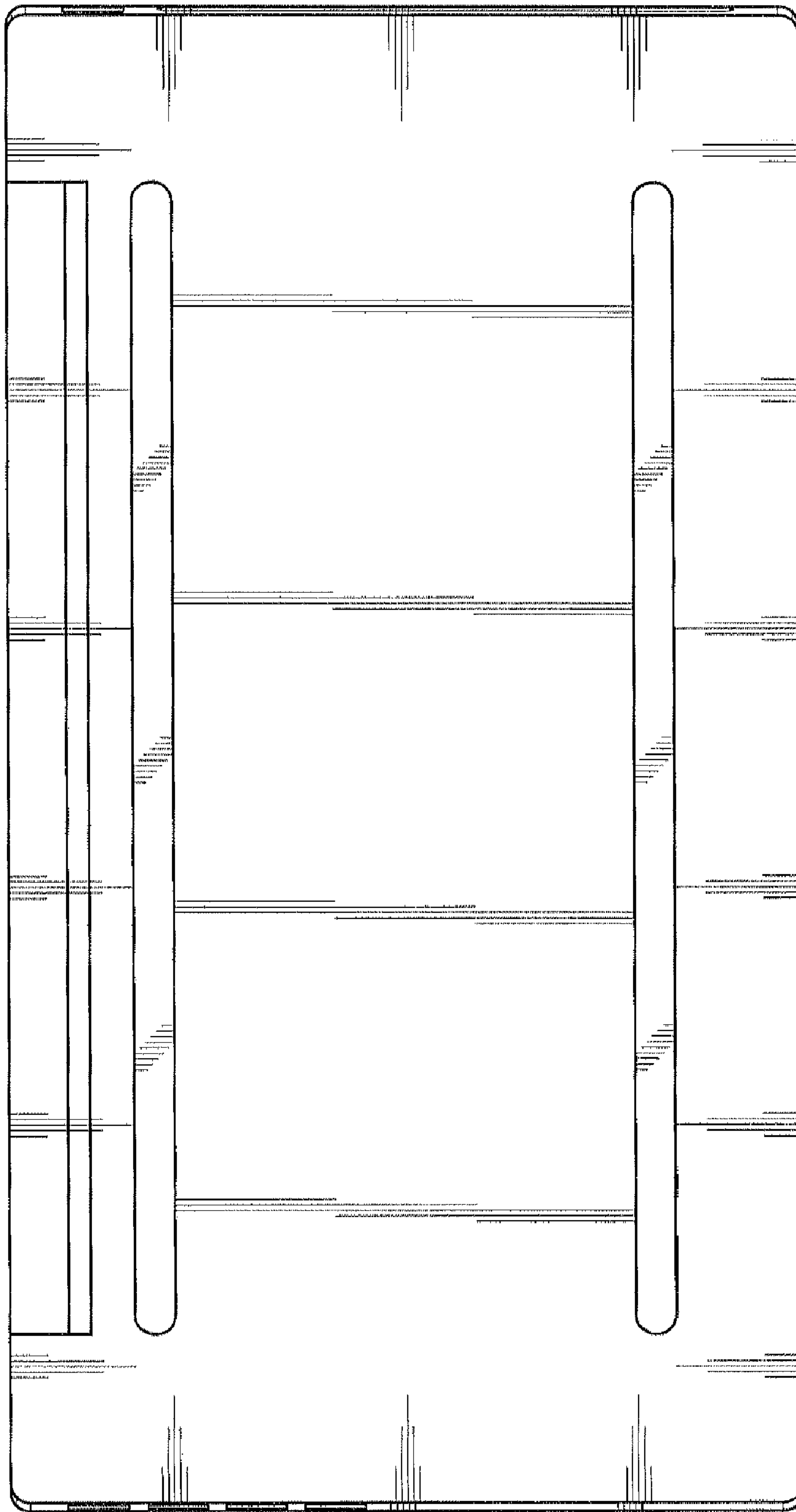


FIG.7