



US00D653668S

(12) **United States Design Patent**
Song et al.

(10) **Patent No.:** **US D653,668 S**

(45) **Date of Patent:** **** Feb. 7, 2012**

(54) **ELECTRONIC DEVICE HOLDER**

(76) Inventors: **Chulho P. Song**, Las Vegas, NV (US);
Bryan Falk, Las Vegas, NV (US)

(**) Term: **14 Years**

(21) Appl. No.: **29/382,522**

(22) Filed: **Jan. 5, 2011**

(51) **LOC (9) Cl.** **14-02**

(52) **U.S. Cl.** **D14/447**

(58) **Field of Classification Search** D14/447,
D14/448, 451, 452, 432, 434, 439, 440, 457,
D14/460, 461, 239, 250, 251, 253, 217, 238.1;
D3/218; D6/310, 312, 311, 406.3, 406.4,
D6/406.5, 406.6, 419; 248/917-924, 688,
248/441.1, 451, 454, 460, 463, 136, 149,
248/150, 164, 166, 176.2, 176.3, 176.1, 346.03,
248/346.3; 361/679.02, 679.09, 679.21,
361/679.22, 379.26, 679.27, 679.28, 679.29,
361/679.3, 679.46, 679.47, 679.48, 679.55,
361/679.56, 679.57, 679.58, 679.59, 679.6;
150/165; 224/929, 930

See application file for complete search history.

(56) **References Cited**

U.S. PATENT DOCUMENTS

6,616,111	B1 *	9/2003	White	248/309.1
D558,771	S *	1/2008	Derry et al.	D14/447
D560,068	S *	1/2008	Dixon et al.	D3/218
D564,220	S *	3/2008	Dixon	D3/218
D592,188	S *	5/2009	Huang	D14/217
D626,964	S *	11/2010	Richardson et al.	D14/447
D634,315	S *	3/2011	Nousiainen	D14/253
D637,583	S *	5/2011	Beal et al.	D14/217
D637,593	S *	5/2011	Zanetti	D14/253

D640,707	S *	6/2011	Yeh	D14/447
D641,610	S *	7/2011	Sedalo	D8/354
2010/0294908	A1 *	11/2010	Mish et al.	248/451
2011/0031287	A1 *	2/2011	Le Gette et al.	224/101

* cited by examiner

Primary Examiner — Angela J Lee

(74) *Attorney, Agent, or Firm* — QuickPatents, Inc.; Kevin Prince

(57) **CLAIM**

We claim the ornamental design for an electronic device holder, as shown and described.

DESCRIPTION

FIG. 1 is a front perspective view of an electronic device holder, showing the new design in a landscape-extended configuration;

FIG. 2 is a rear perspective view thereof in a portrait-extended configuration;

FIG. 3 is a rear perspective view thereof in a collapsed configuration;

FIG. 4 is a front elevational view of FIG. 3;

FIG. 5 is a rear elevational view of FIG. 3;

FIG. 6 is a left-side elevational view of FIG. 3, the right-side elevational view being a mirror image thereof;

FIG. 7 is a top plan view of FIG. 3;

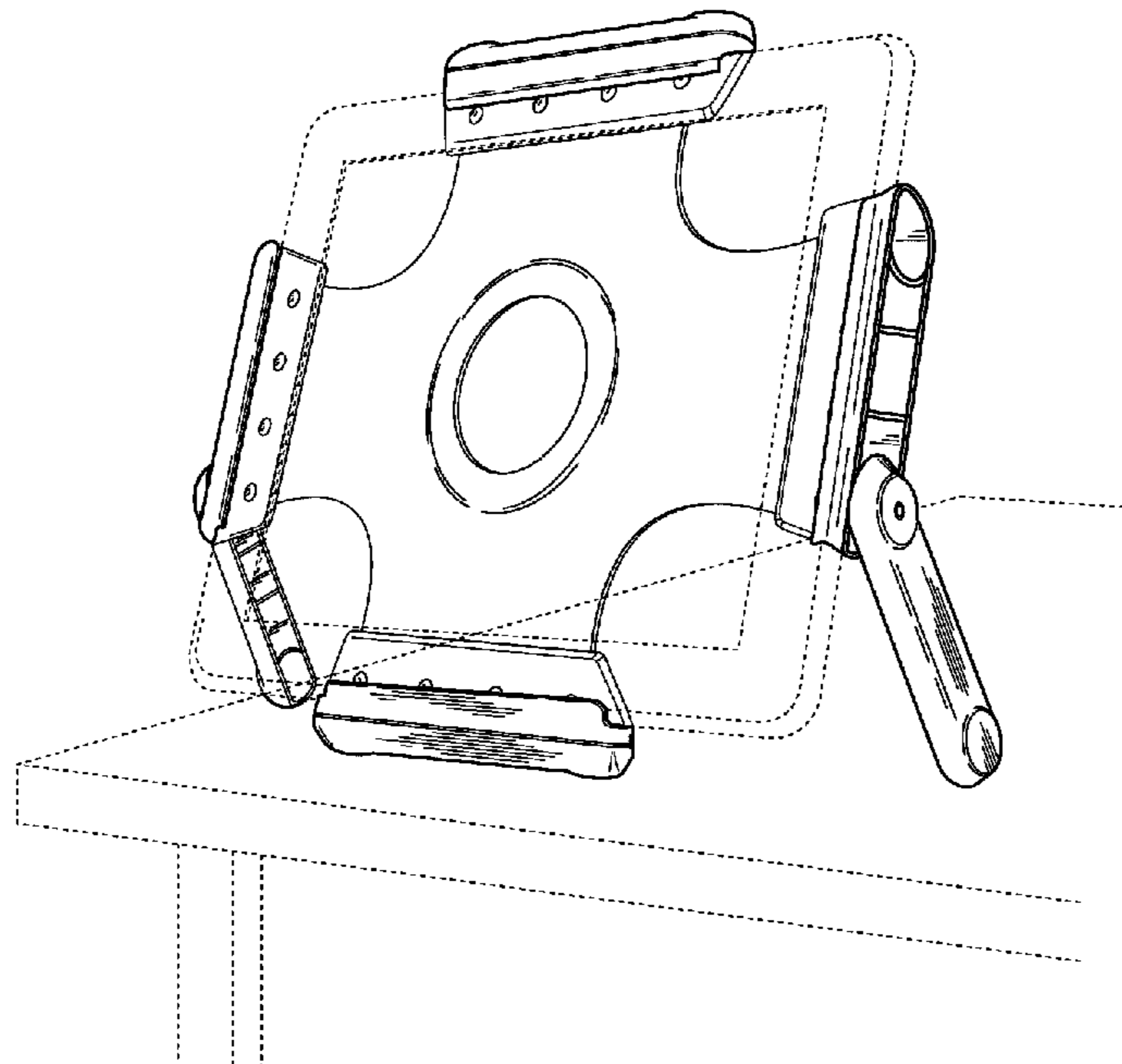
FIG. 8 is a bottom plan view of FIG. 3;

FIG. 9 is a left-side elevational view of FIG. 2, the right-side elevational view being a mirror image thereof; and,

FIG. 10 is a top plan view of FIG. 2.

The broken lines showing an electronic device and a table in FIGS. 1 and 2 are included for the purpose of illustrating the invention in use, and form no part of the claimed design.

1 Claim, 7 Drawing Sheets



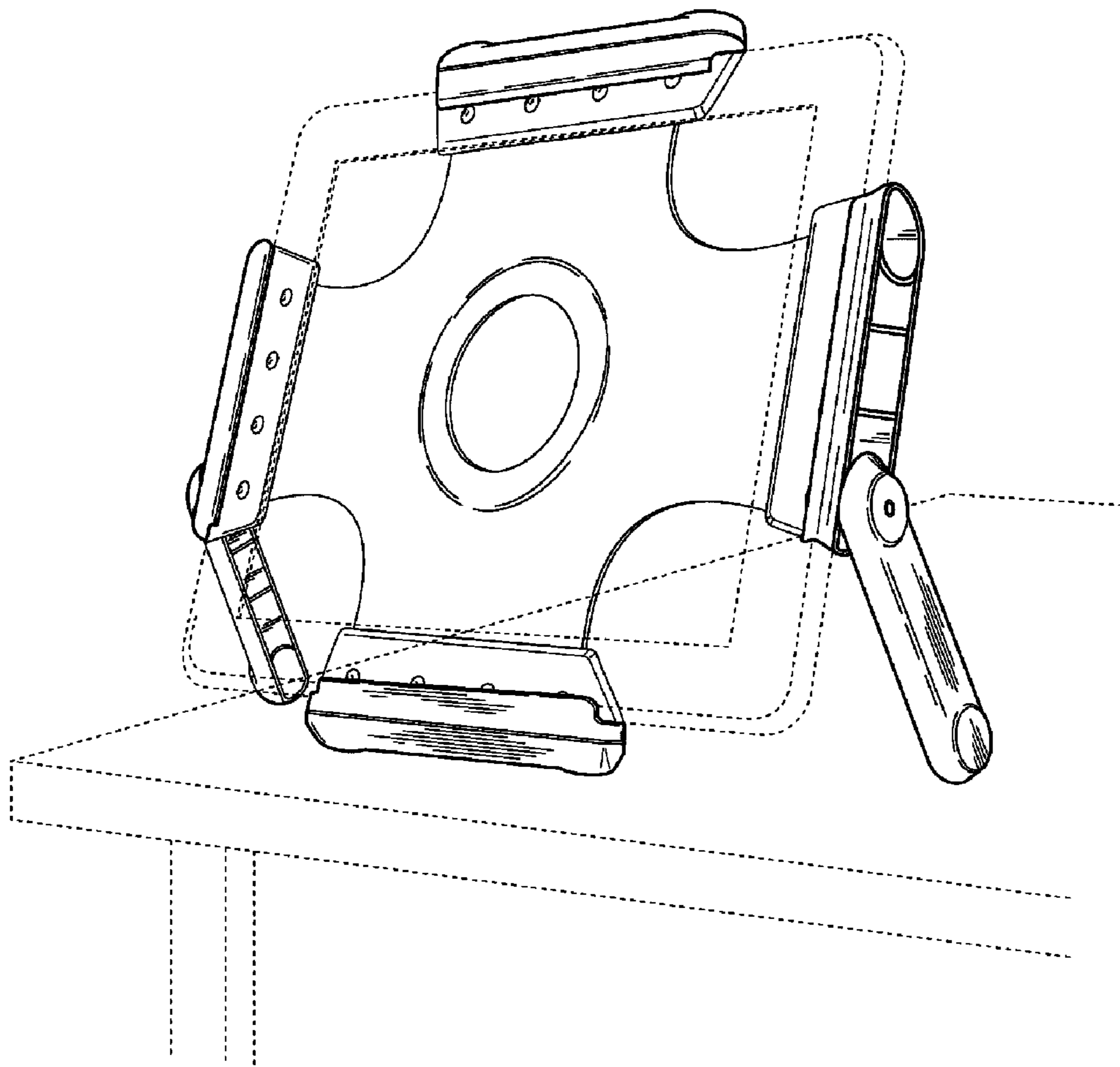


FIG. 1

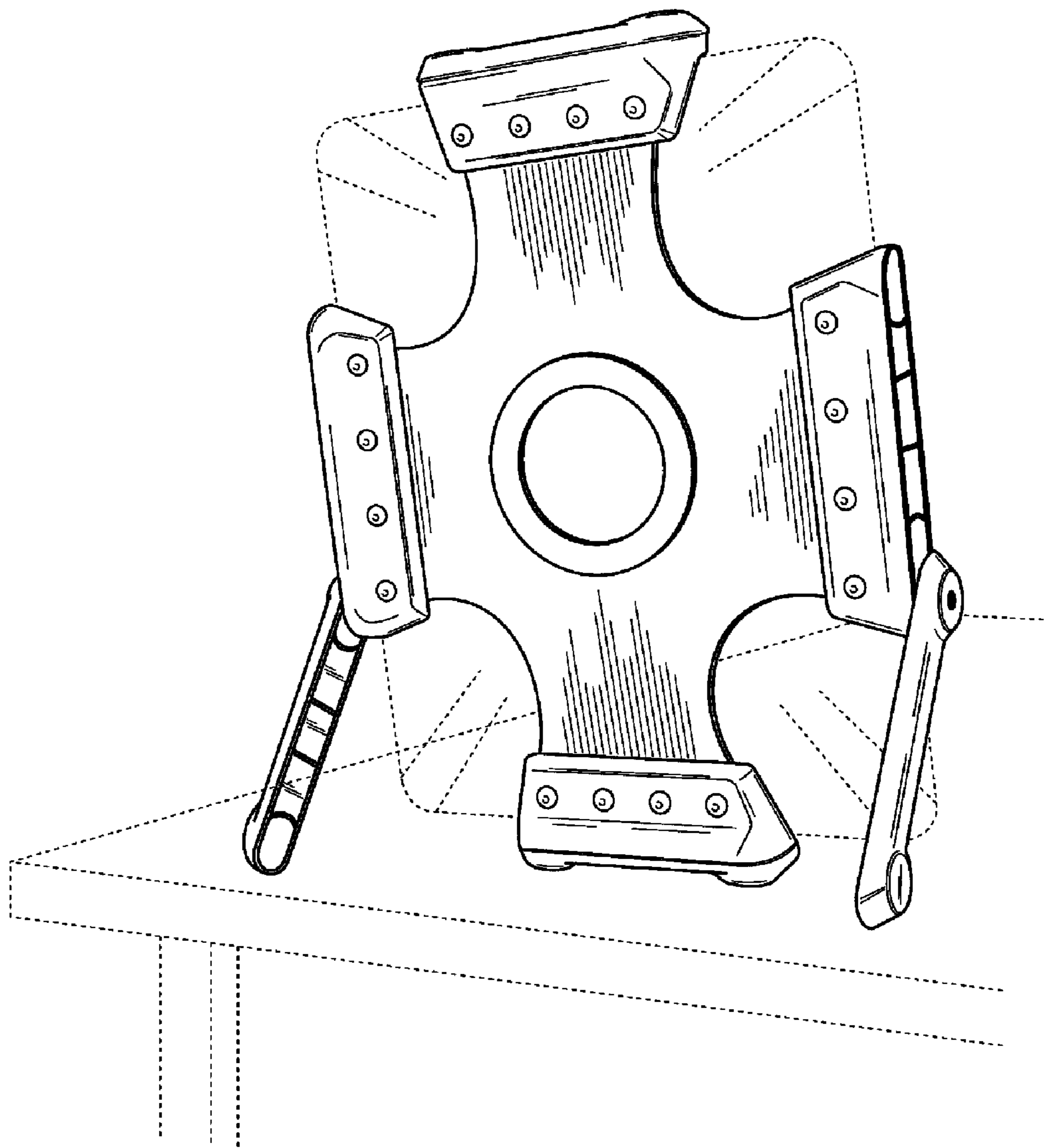


FIG. 2

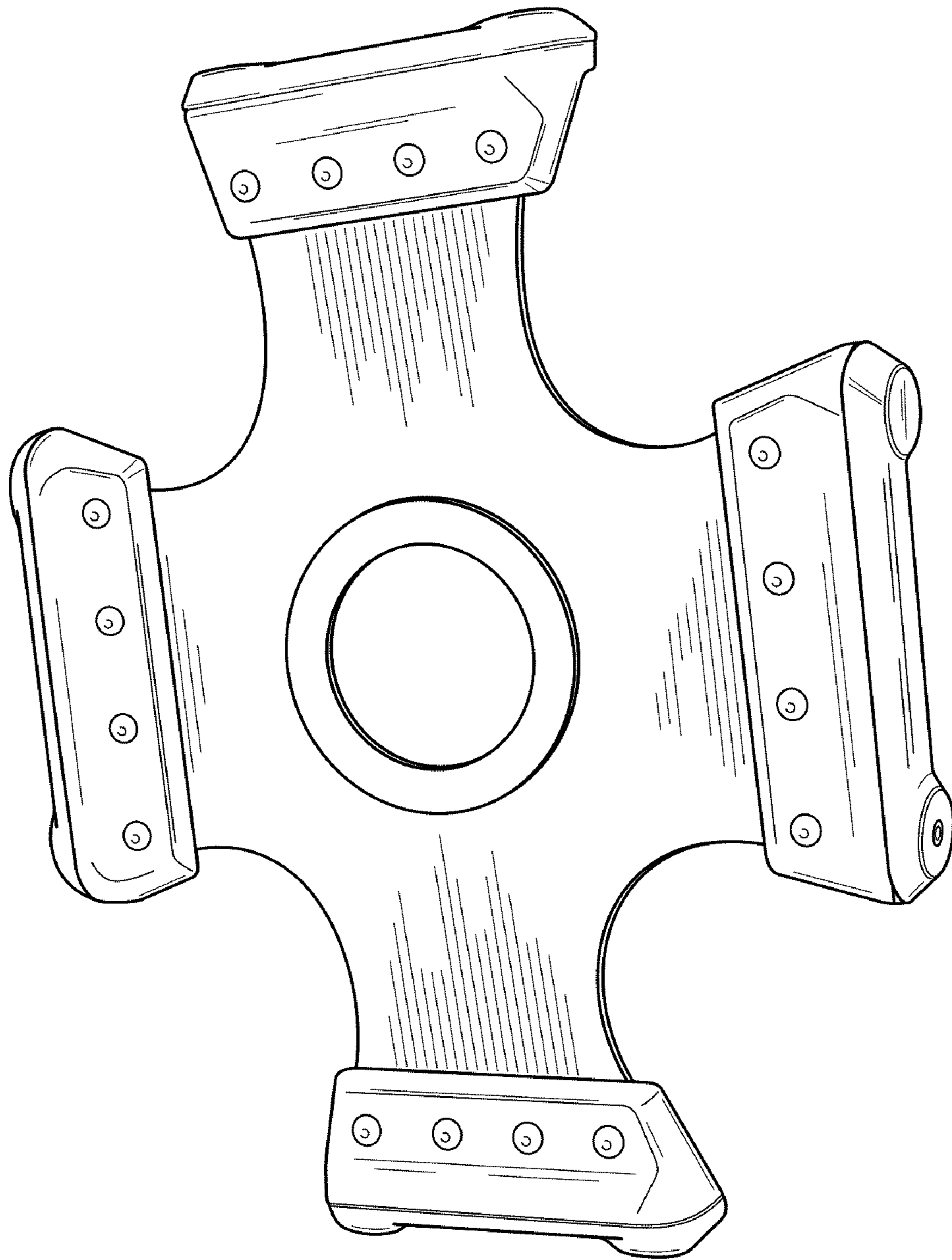


FIG. 3

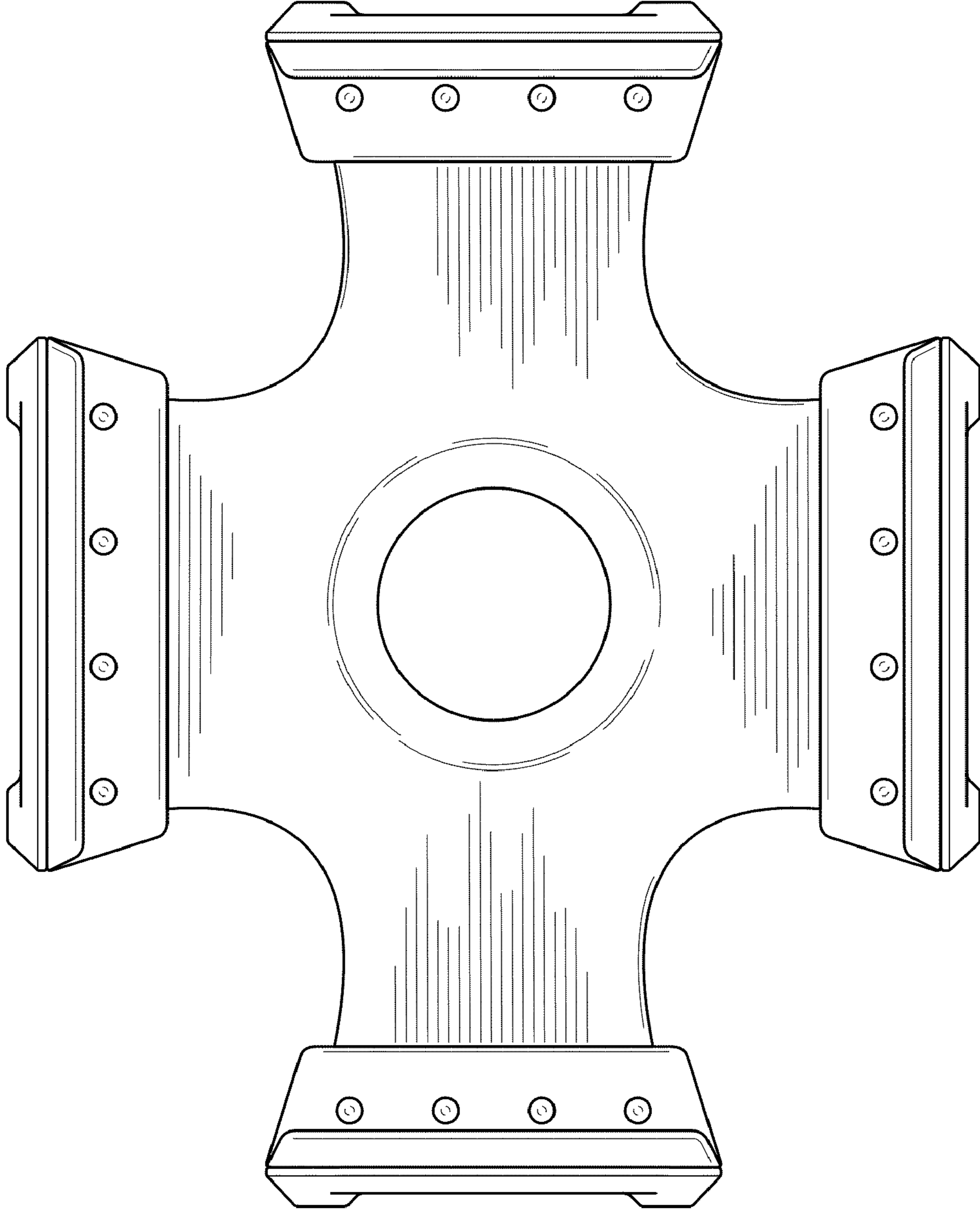


FIG. 4

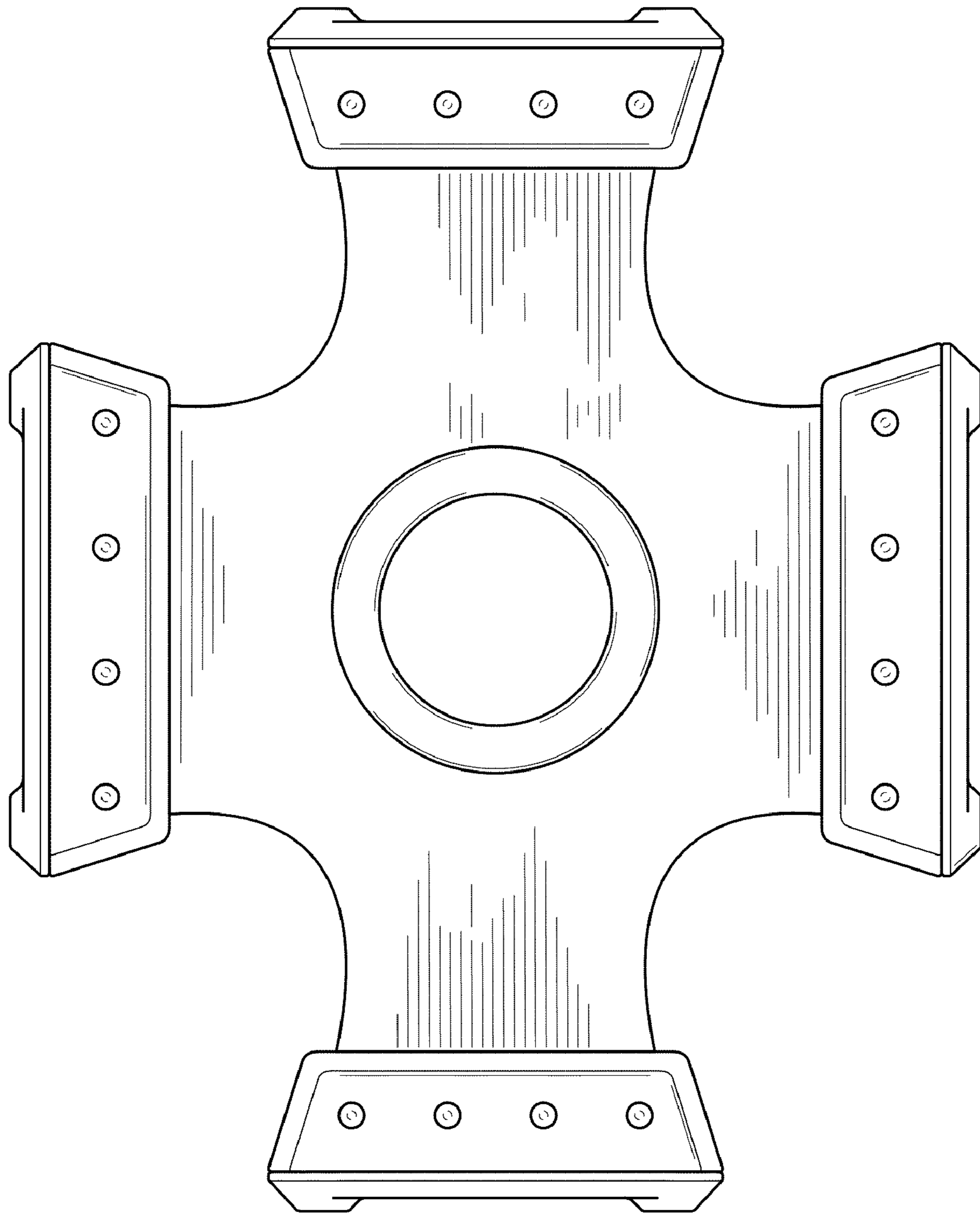


FIG. 5

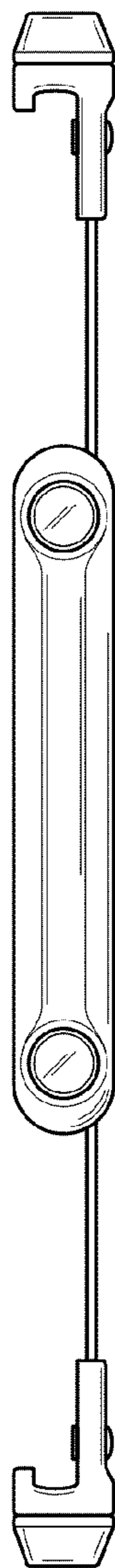


FIG. 6

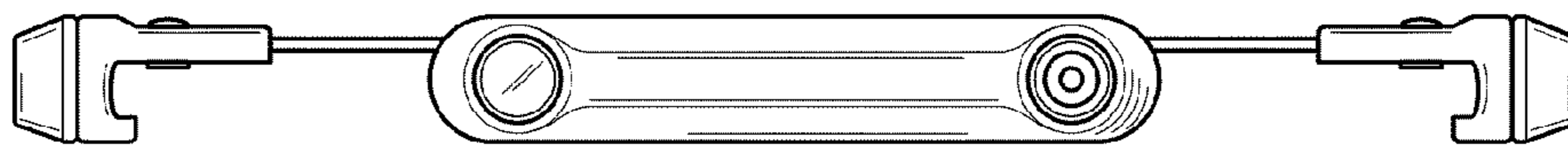


FIG. 7

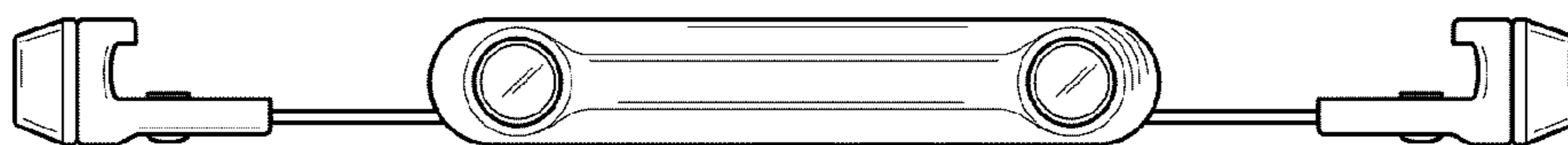


FIG. 8

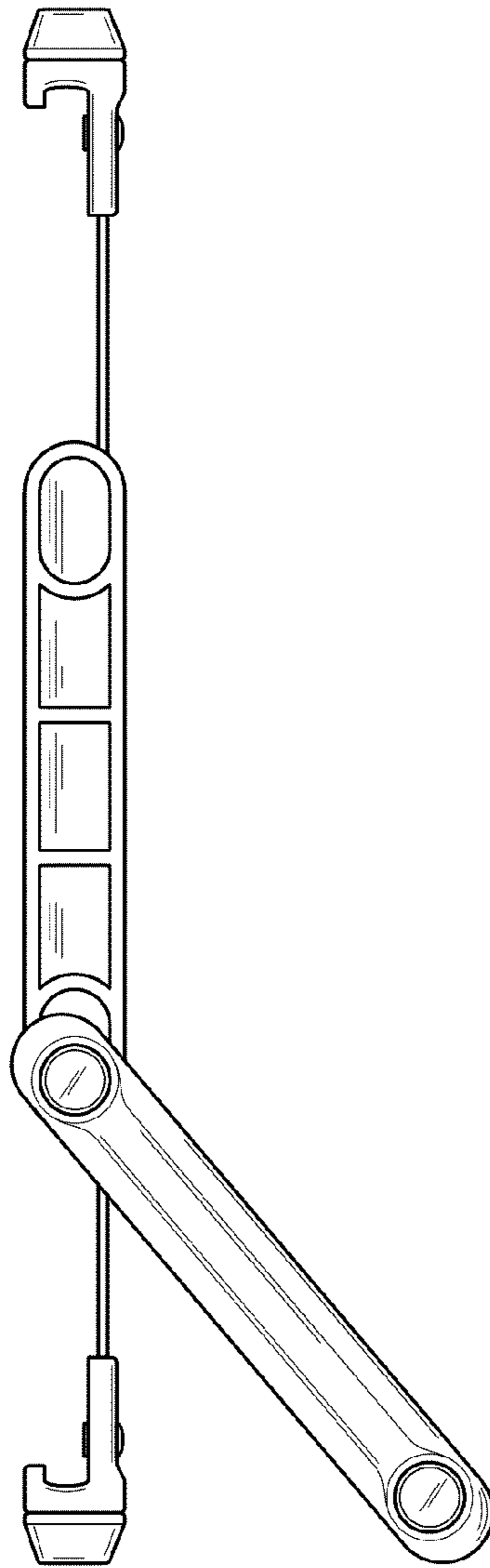


FIG. 9

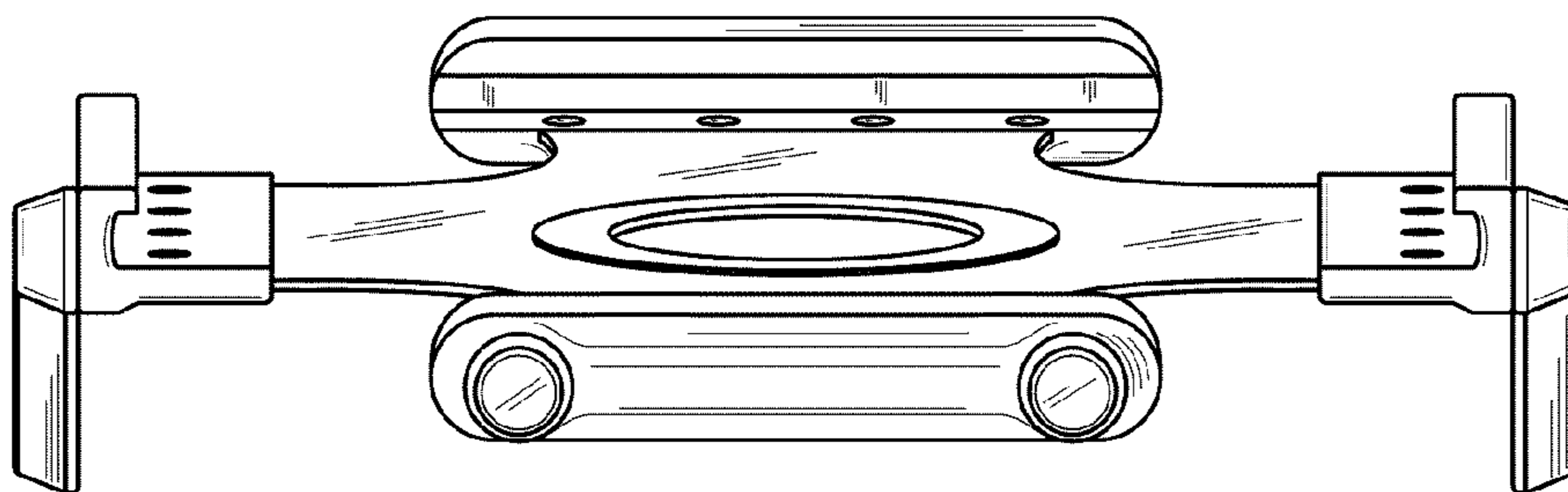


FIG. 10