



US00D653666S

(12) **United States Design Patent**
Zhou

(10) **Patent No.:** **US D653,666 S**
(45) **Date of Patent:** **** Feb. 7, 2012**

(54) **DOCKING STATION FOR ELECTRONIC DEVICE**

(75) Inventor: **Cong-Bing Zhou**, Shenzhen (CN)

(73) Assignee: **Hon Hai Precision Industry Co., Ltd.**,
Tu-Cheng, New Taipei (TW)

(**) Term: **14 Years**

(21) Appl. No.: **29/394,605**

(22) Filed: **Jun. 19, 2011**

(30) **Foreign Application Priority Data**

Dec. 21, 2010 (CN) 2010 3 0690532

(51) **LOC (9) Cl.** **14-02**

(52) **U.S. Cl.** **D14/434**

(58) **Field of Classification Search** D14/432-434,
D14/314, 204, 420, 421, 447, 217, 358, 138 R,
D14/140, 142; D13/107, 108, 146; D8/373;
248/346.03, 176.1; 361/679.41, 679.31,
361/679.32, 679.4, 679.43, 679.55, 679.58,
361/679.33; 320/109, 112-115; 710/15,
710/303; 455/557; 439/347, 534
See application file for complete search history.

(56) **References Cited**

U.S. PATENT DOCUMENTS

5,619,397 A * 4/1997 Honda et al. 361/679.43
D442,141 S * 5/2001 Ikenaga D13/107
D469,774 S * 2/2003 Bradley D14/434

D520,013 S * 5/2006 Yang D14/434
D554,115 S * 10/2007 Liu et al. D13/108
D588,141 S * 3/2009 Heggland et al. D14/451
D607,879 S * 1/2010 Ferber et al. D14/217
D627,785 S * 11/2010 Bouthillier D14/434
D635,918 S * 4/2011 Le et al. D13/108
2007/0217145 A1 * 9/2007 Sung 361/686

* cited by examiner

Primary Examiner — Freda S Nunn

(74) *Attorney, Agent, or Firm* — Altis Law Group, Inc.

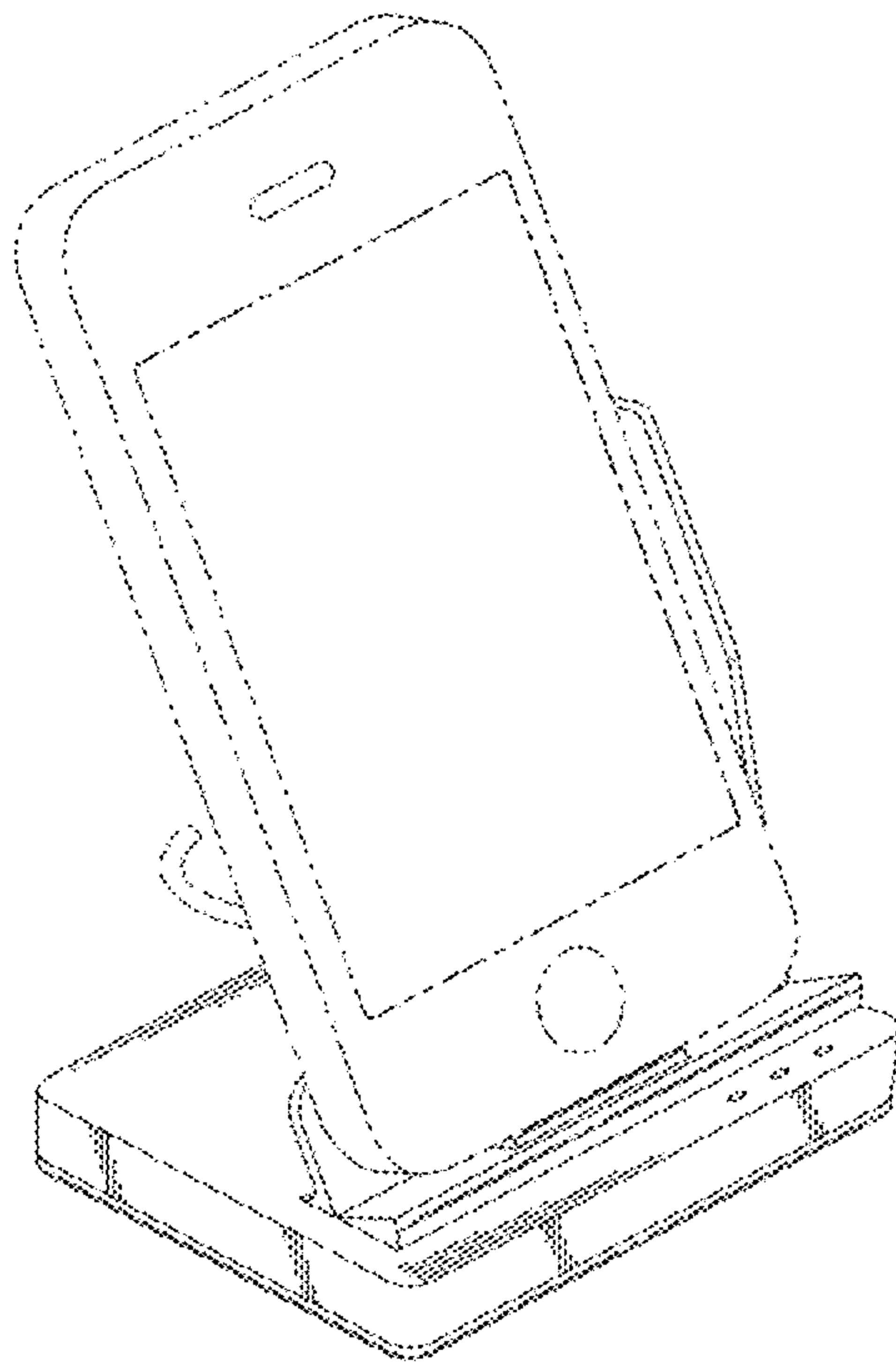
(57) **CLAIM**

The ornamental design for docking station for electronic device, as shown and described.

DESCRIPTION

FIG. 1 is a front perspective view of a docking station for electronic device showing our new design; FIG. 2 is a front elevational view thereof; FIG. 3 is a rear elevational view thereof; FIG. 4 is a left side, elevational view thereof; FIG. 5 is a right side, elevational view thereof; FIG. 6 is a top plan view thereof; FIG. 7 is a bottom plan view thereof; FIG. 8 is a perspective view showing the docking station supporting the electronic device in a first state; and, FIG. 9 is a perspective view showing the docking station supporting the electronic device in a second state. The broken lines in the figures are for the purpose of illustrating environmental structure and forms no part of the claimed design.

1 Claim, 9 Drawing Sheets



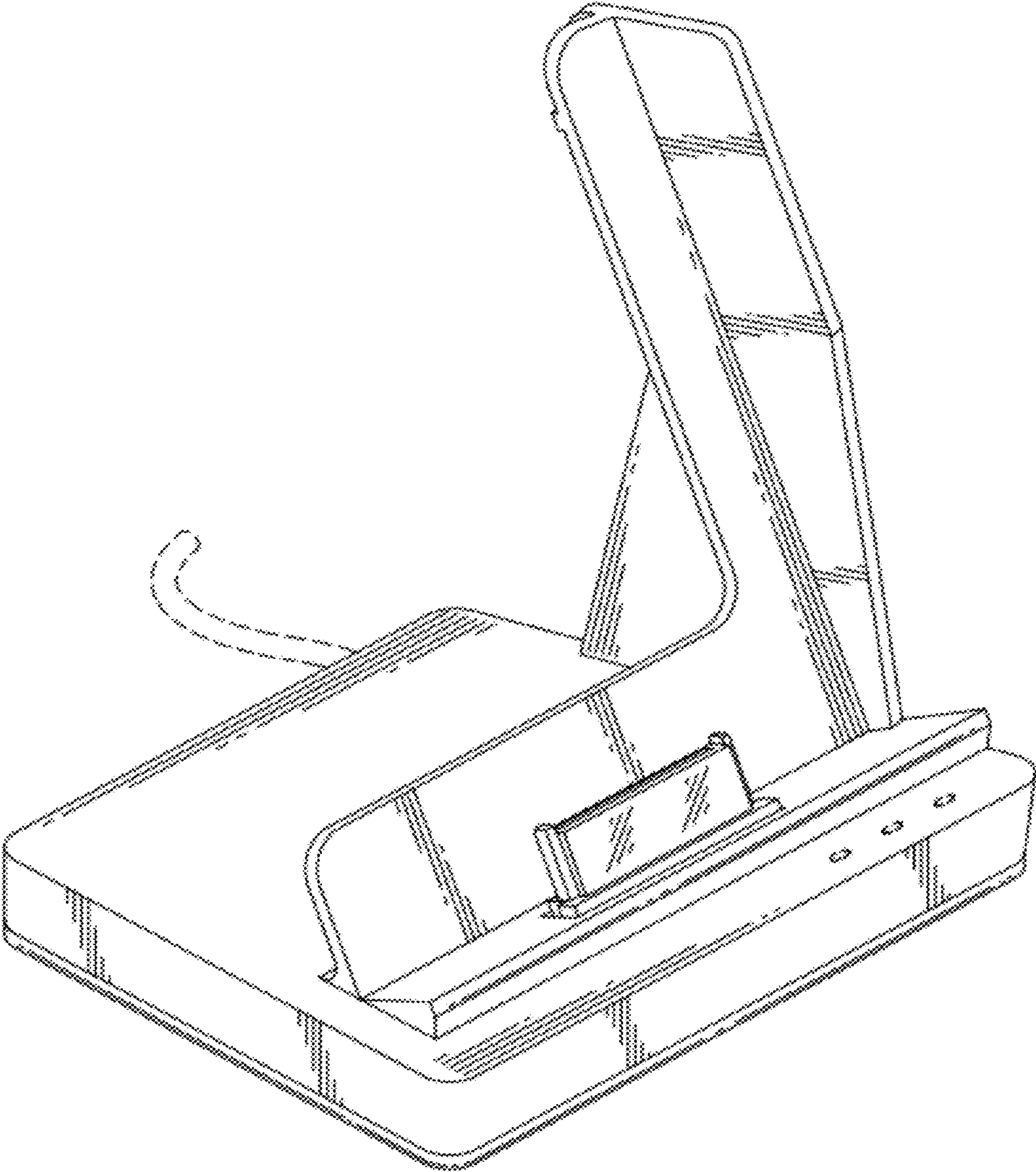


FIG. 1

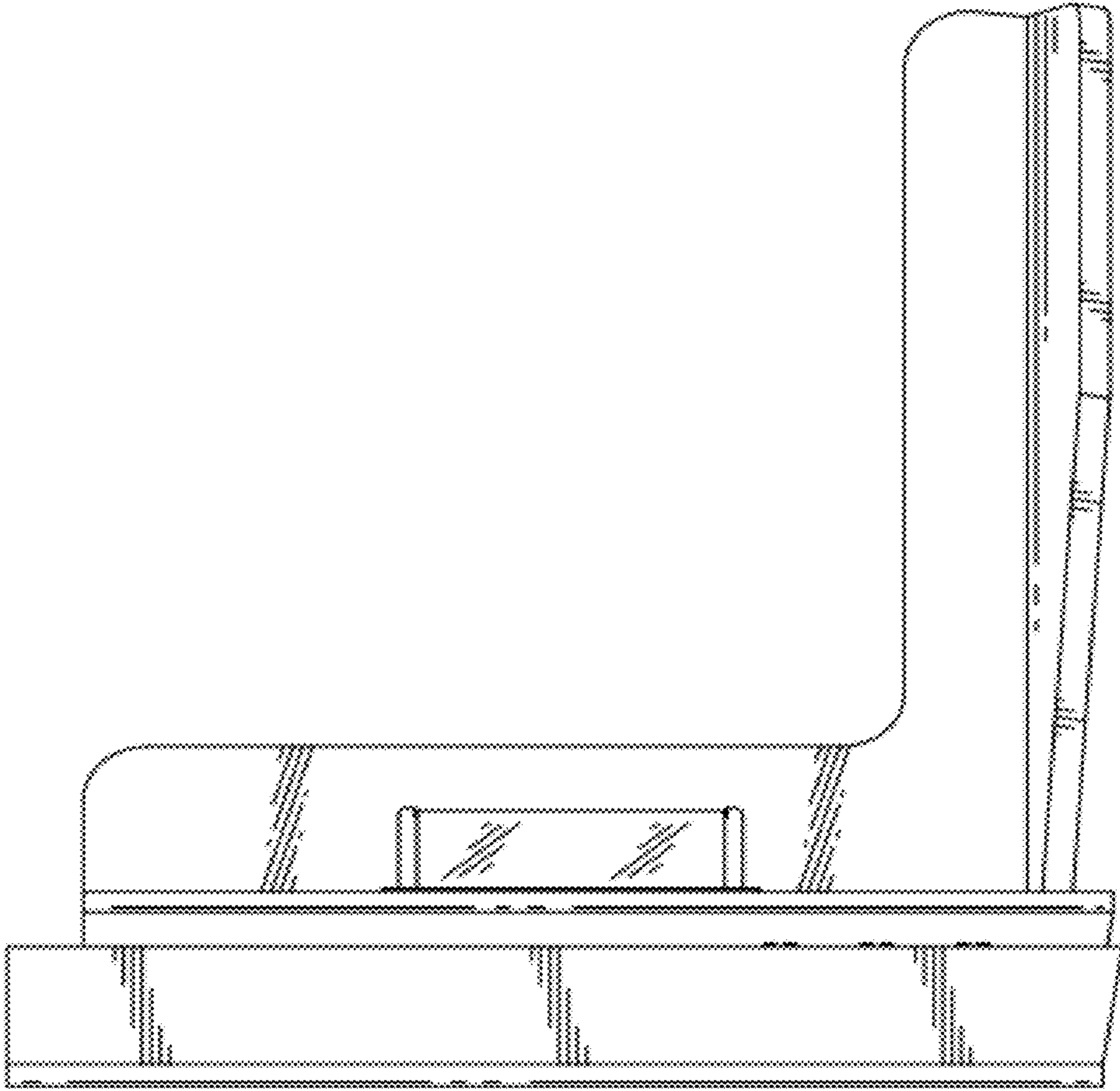


FIG. 2

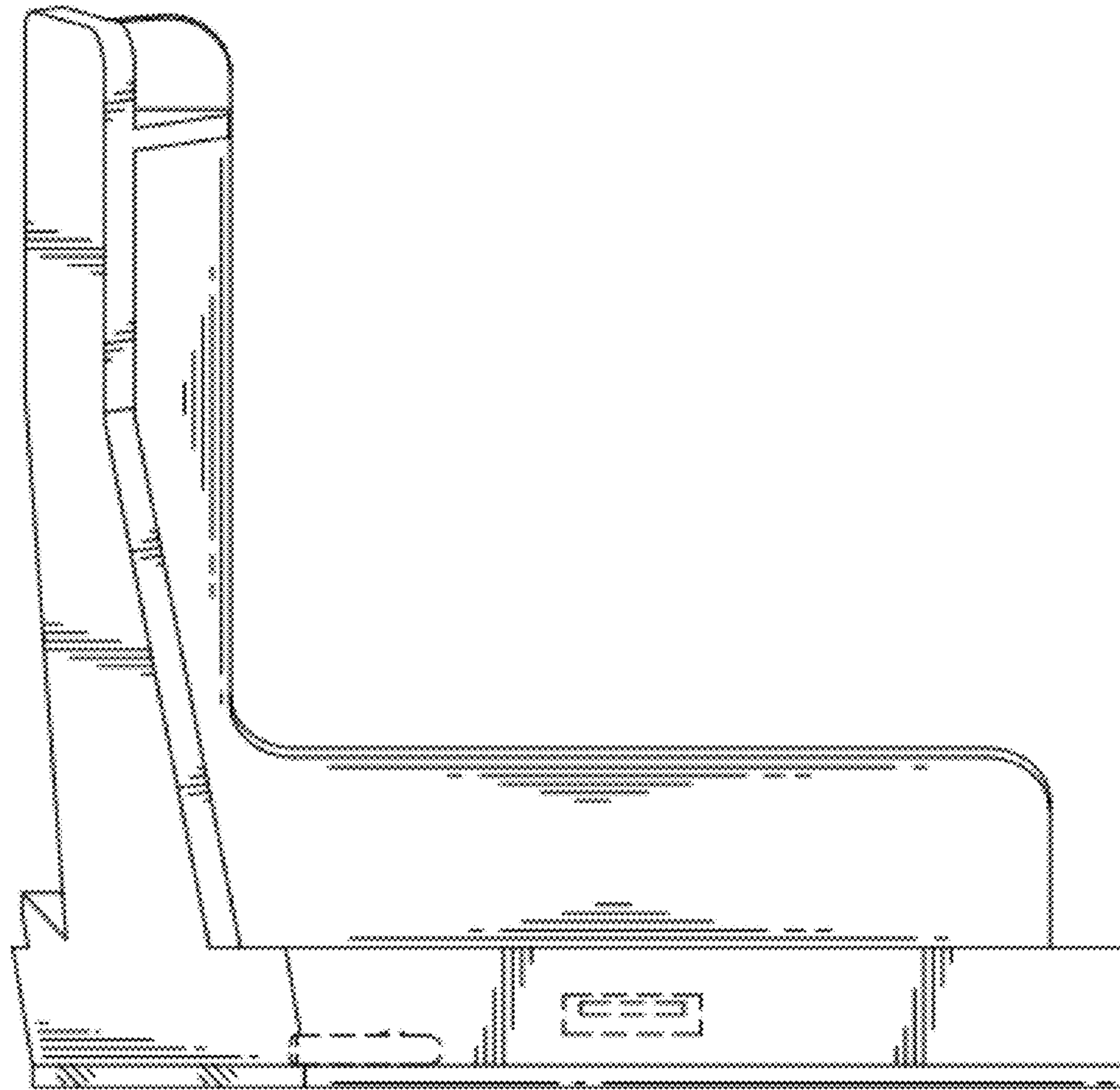


FIG. 3

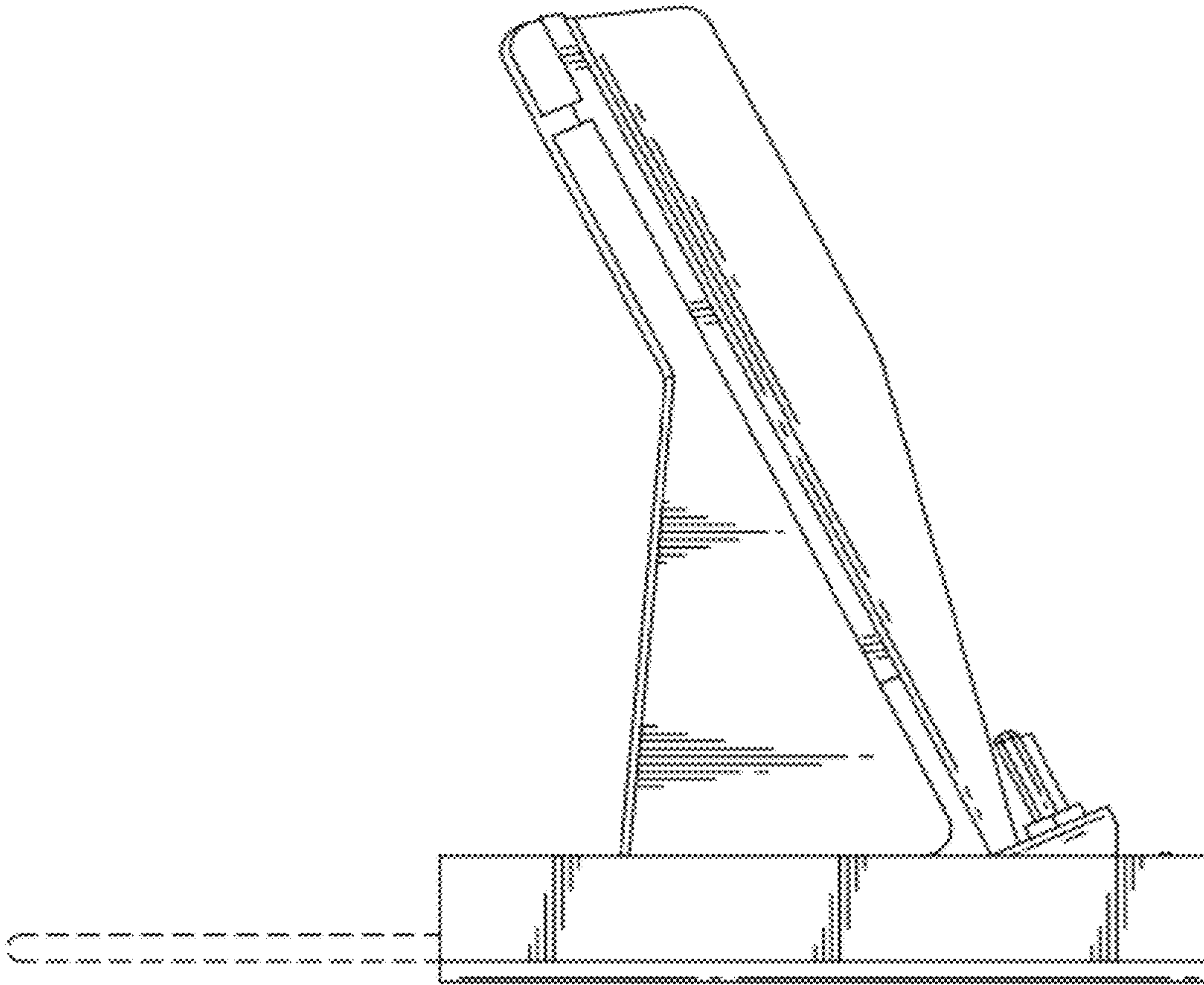


FIG. 4

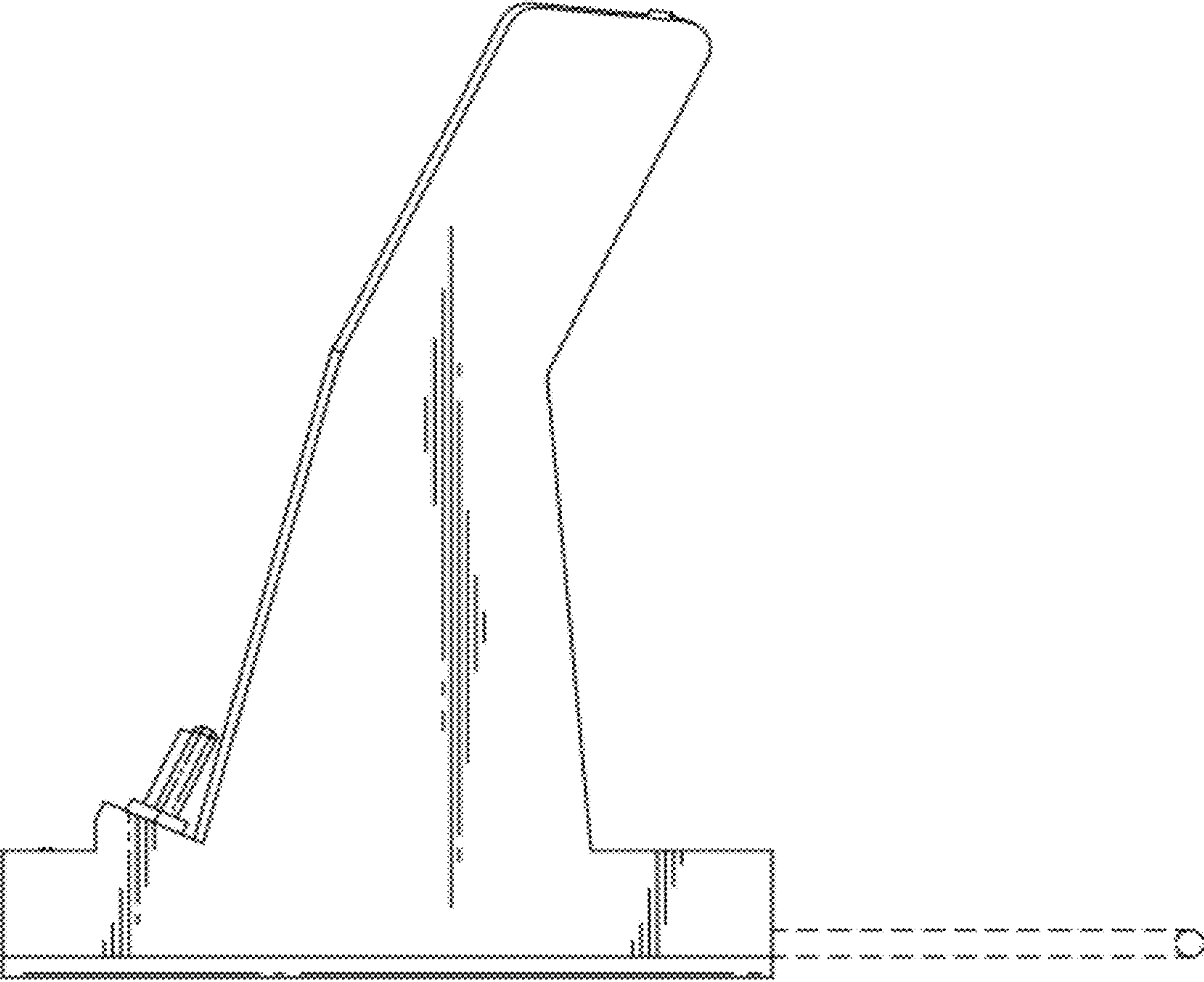


FIG. 5

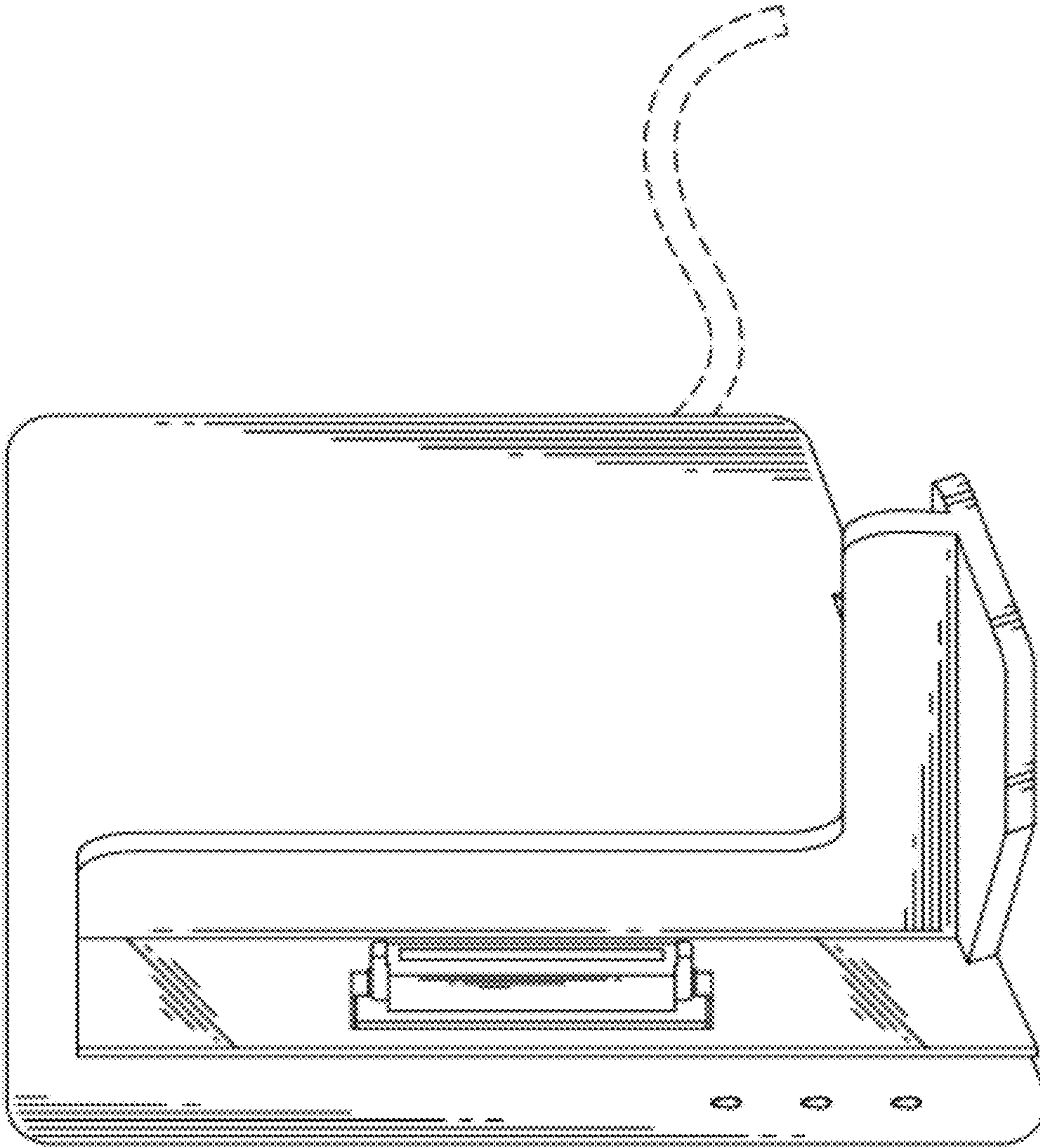


FIG. 6

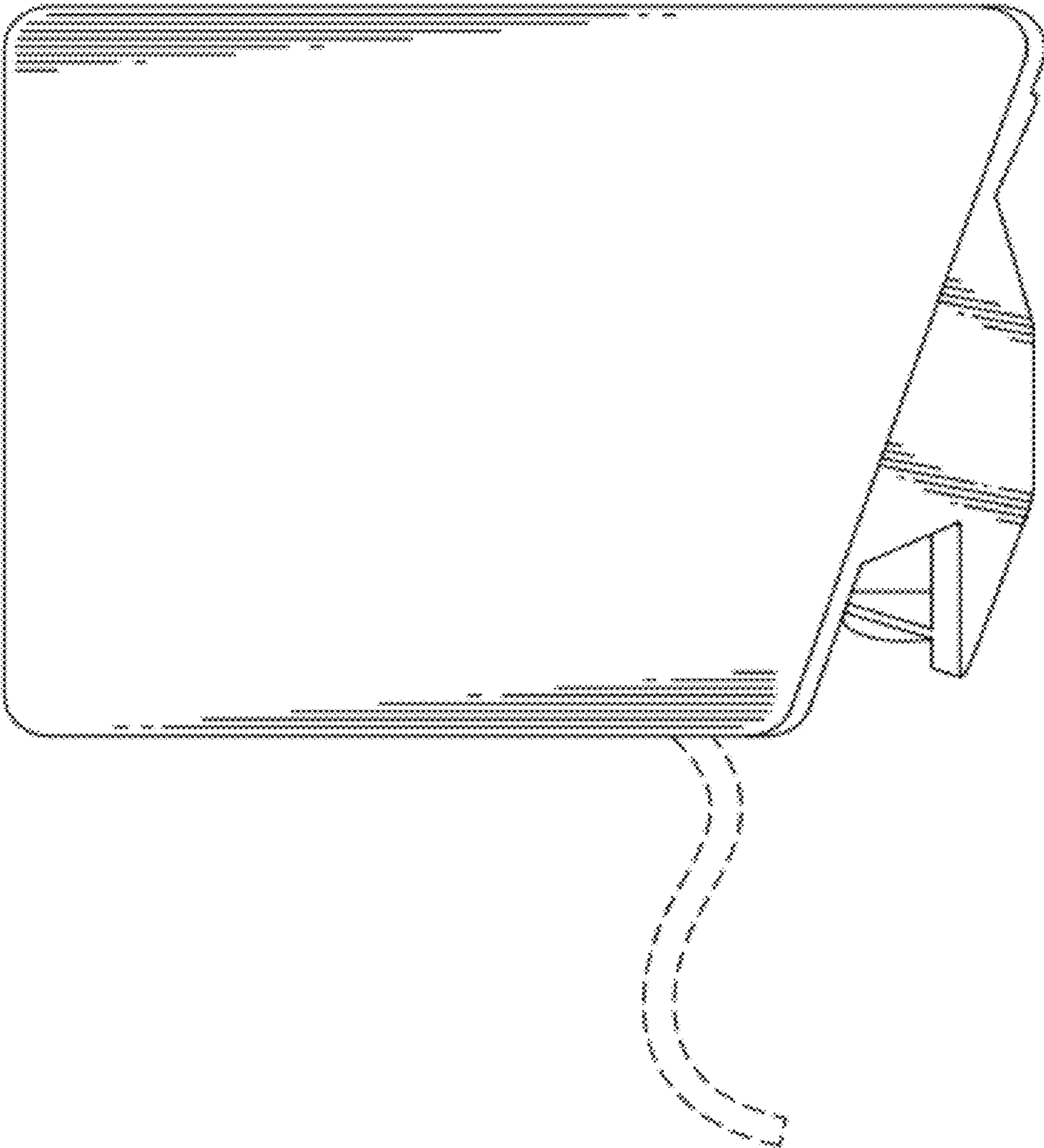


FIG. 7

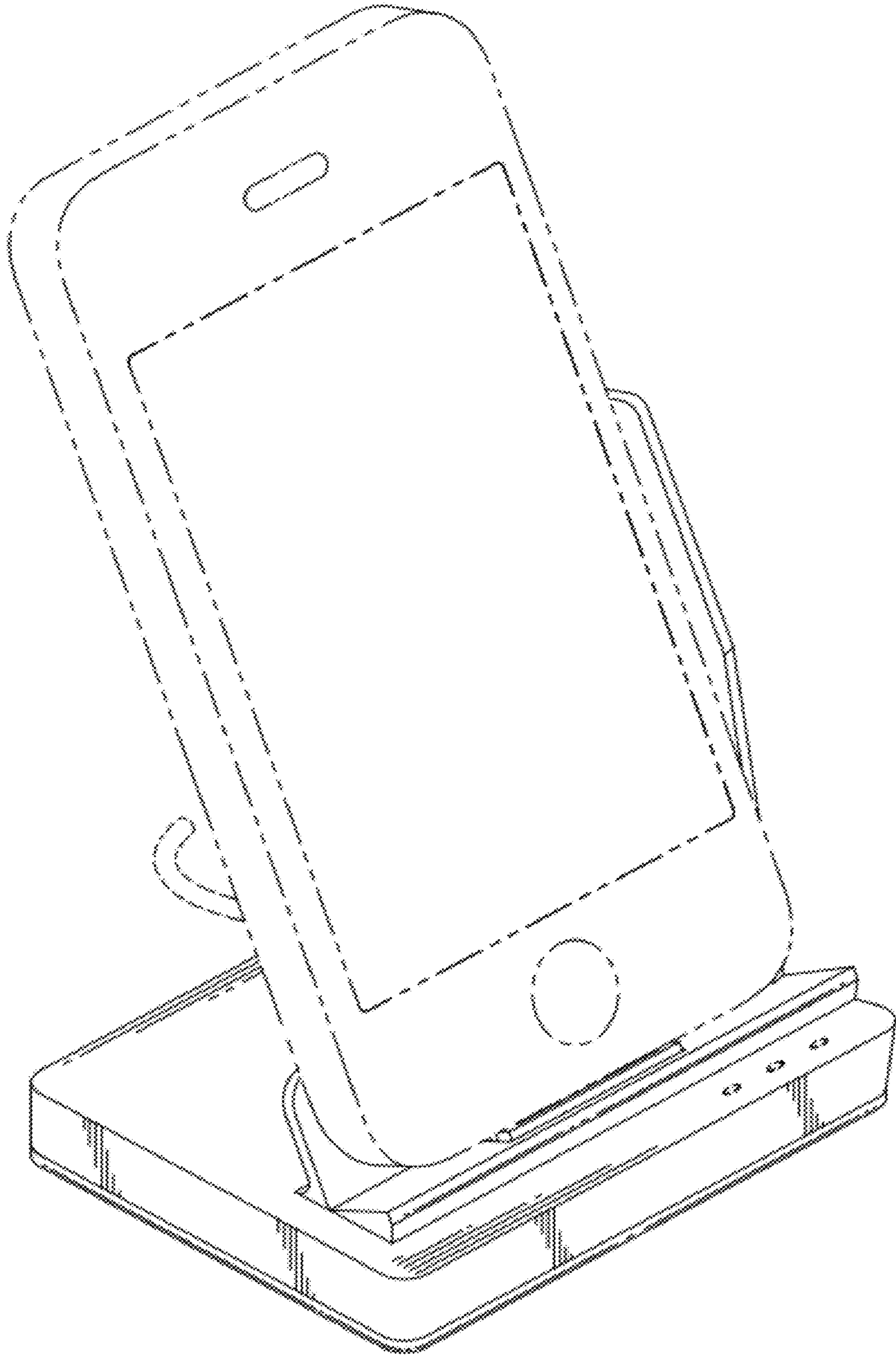


FIG. 8

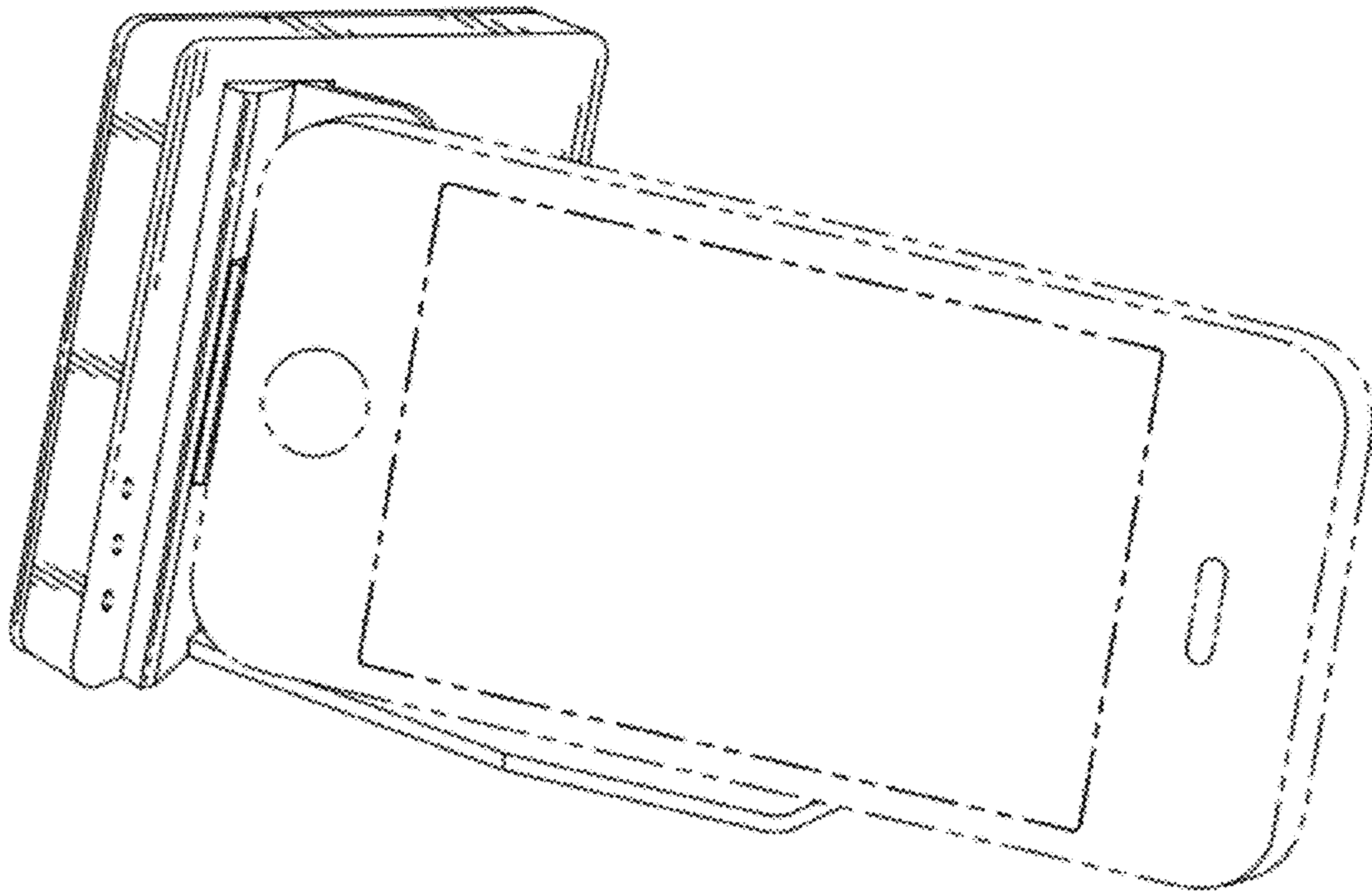


FIG. 9