



US00D653665S

(12) **United States Design Patent**  
**Maruyama**

(10) **Patent No.:** **US D653,665 S**

(45) **Date of Patent:** **\*\* Feb. 7, 2012**

(54) **KEYBOARD**

(75) Inventor: **Kazuhiro Maruyama**, Kyoto (JP)

(73) Assignee: **Nintendo, Co., Ltd.**, Kyoto (JP)

(\*\*) Term: **14 Years**

(21) Appl. No.: **29/388,031**

(22) Filed: **Mar. 23, 2011**

(30) **Foreign Application Priority Data**

Sep. 24, 2010 (JP) ..... 2010-022890

(51) **LOC (9) Cl.** ..... **14-02**

(52) **U.S. Cl.** ..... **D14/392**

(58) **Field of Classification Search** ..... D14/240,  
D14/391-399, 443, 455, 456; D18/1, 2,  
D18/7, 11; 178/17 A, 17 C; 200/5 A, 5 R,  
200/6 A, 6 R; 235/145 A, 145 R; 341/20-23;  
345/156, 160, 168, 169, 173, 700; 361/679.08,  
361/679.09; 400/484-489, 492, 472  
See application file for complete search history.

(56) **References Cited**

**U.S. PATENT DOCUMENTS**

D332,948 S 2/1993 Barr  
D442,177 S \* 5/2001 Chang et al. .... D14/392

D485,271 S \* 1/2004 Kamegi ..... D14/392  
D491,562 S \* 6/2004 Chou ..... D14/396  
D503,711 S \* 4/2005 Fukami et al. .... D14/396  
D521,513 S \* 5/2006 Neal et al. .... D14/392  
D546,332 S \* 7/2007 Depay et al. .... D14/396  
D550,669 S \* 9/2007 D'Hoore ..... D14/391  
D598,451 S \* 8/2009 Andre et al. .... D14/392

\* cited by examiner

*Primary Examiner* — Freda S Nunn

(74) *Attorney, Agent, or Firm* — Nixon & Vanderhye, P.C.

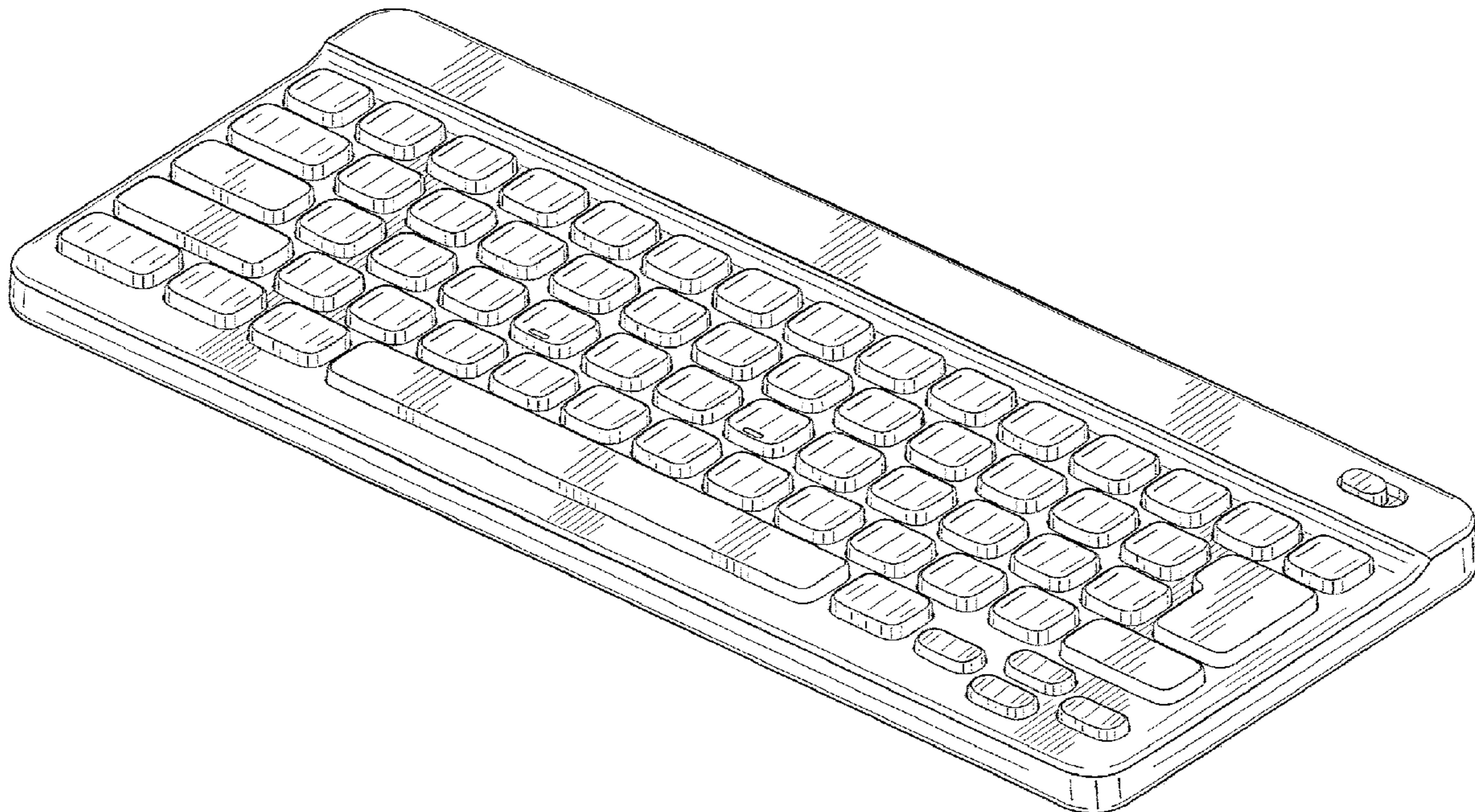
(57) **CLAIM**

The ornamental design for a keyboard, as shown and described.

**DESCRIPTION**

FIG. 1 is a front, right and bottom perspective view of a keyboard of my new design;  
FIG. 2 is a rear, left and top perspective view thereof;  
FIG. 3 is a front view thereof;  
FIG. 4 is a rear view thereof;  
FIG. 5 is a top plan view thereof;  
FIG. 6 is a bottom plan thereof;  
FIG. 7 is a left side view thereof; and,  
FIG. 8 is a right side view thereof.

**1 Claim, 5 Drawing Sheets**



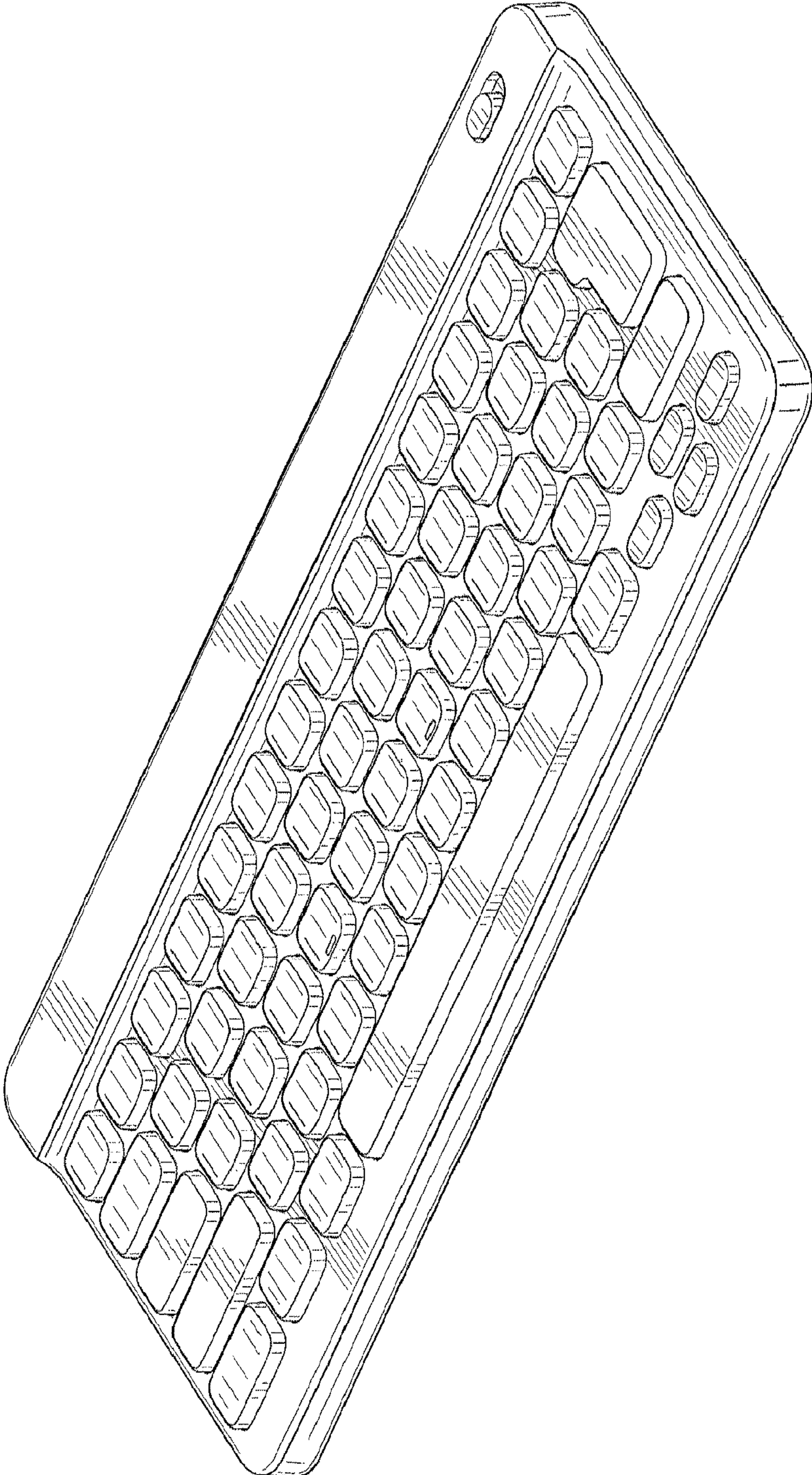


FIG. 1

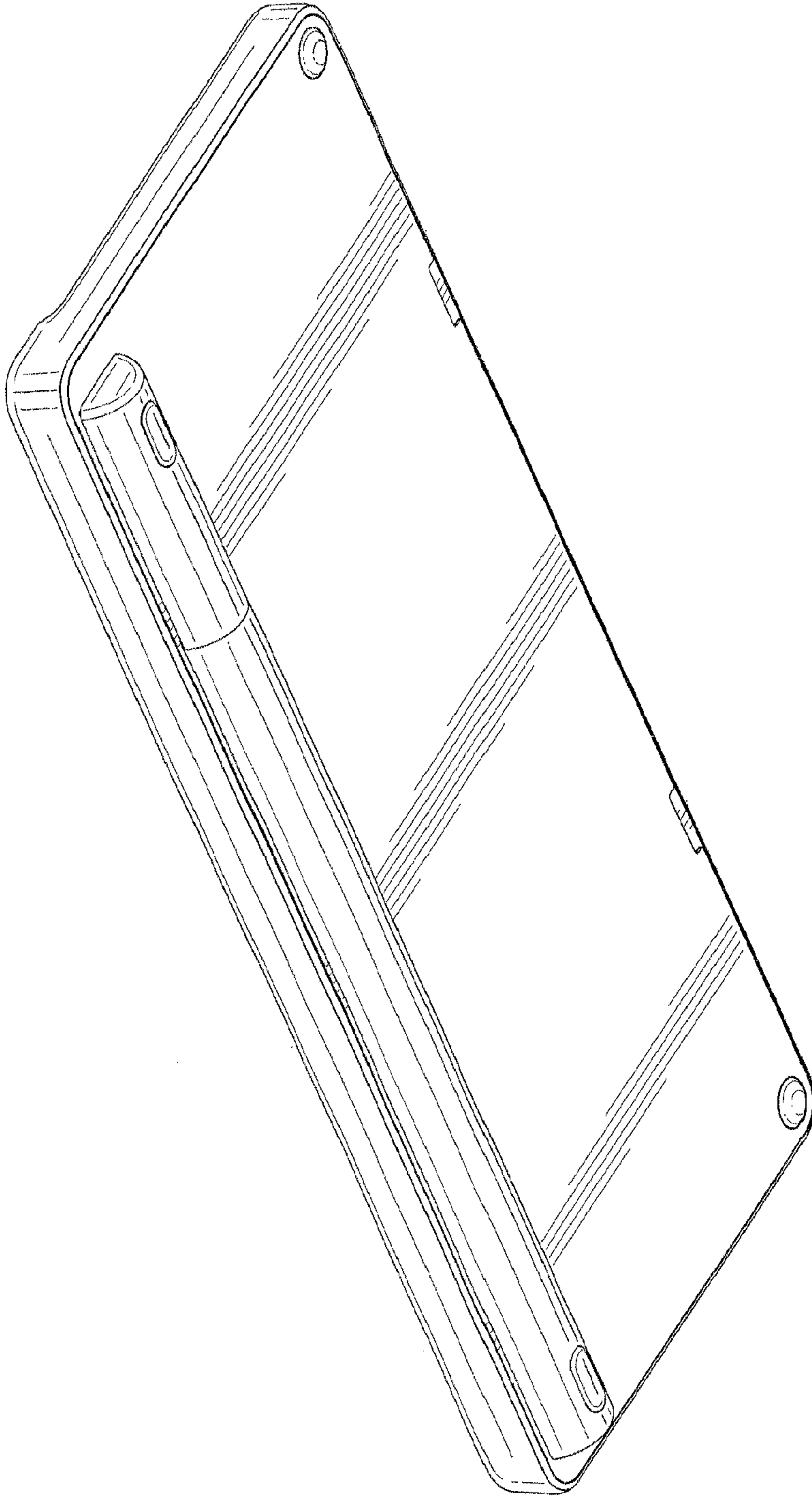
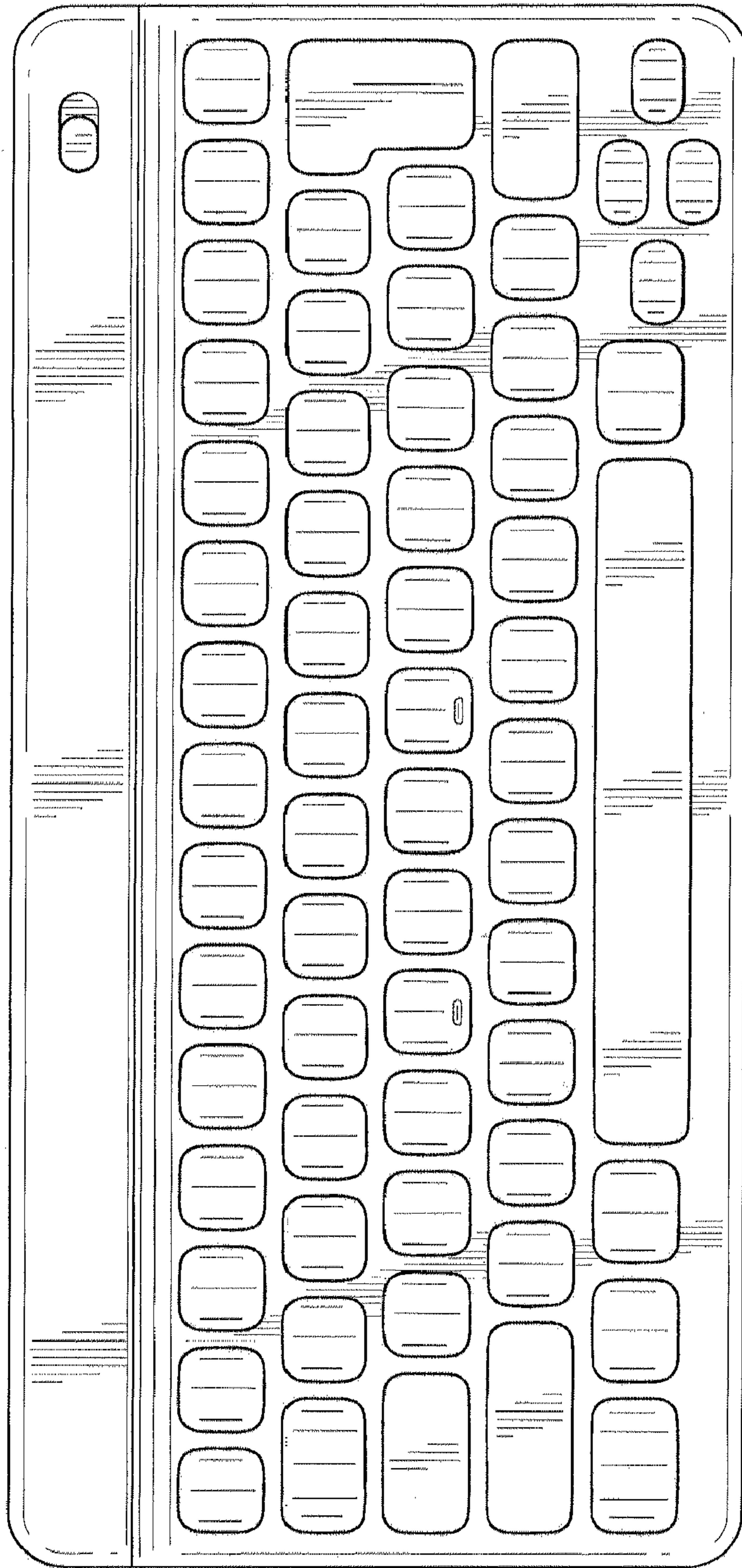


FIG. 2

FIG. 3



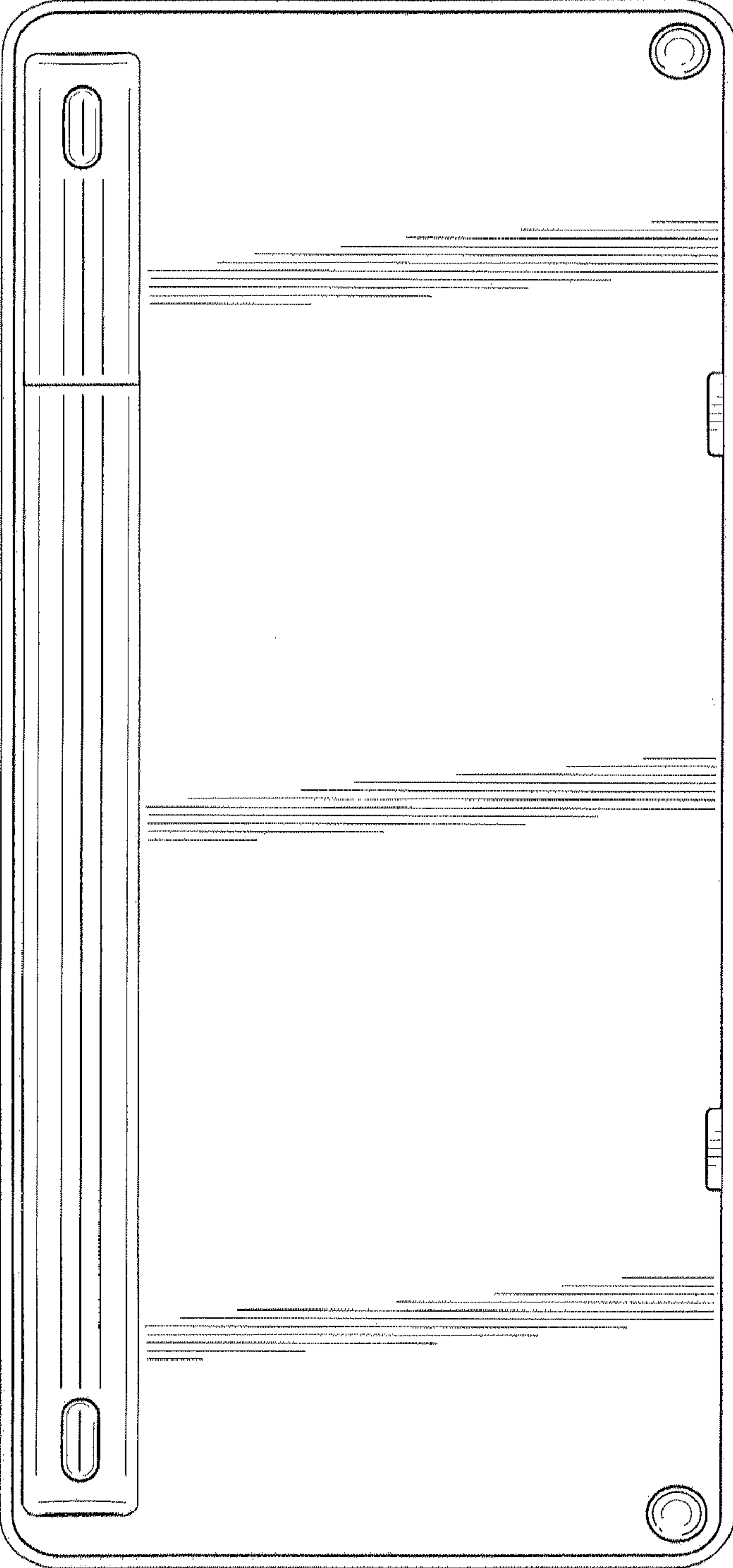


FIG. 4

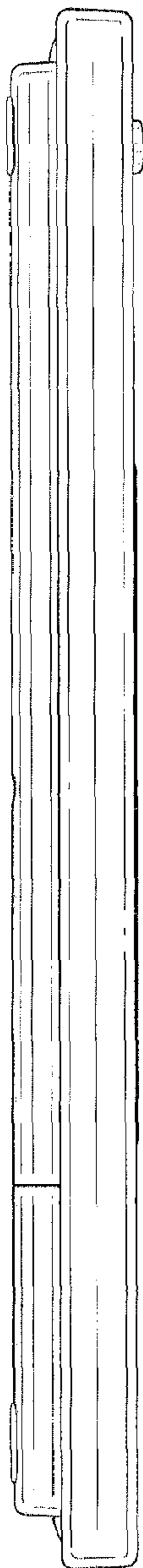


FIG. 5

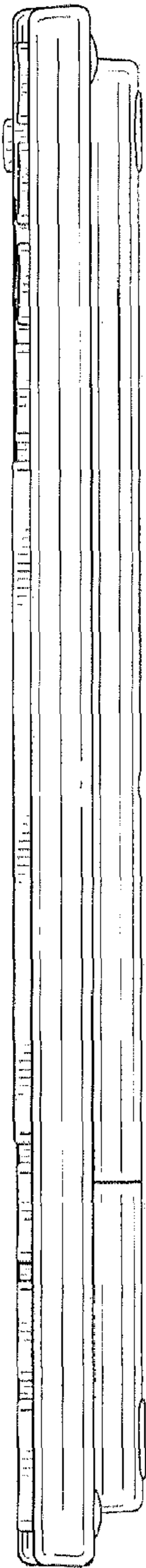


FIG. 6

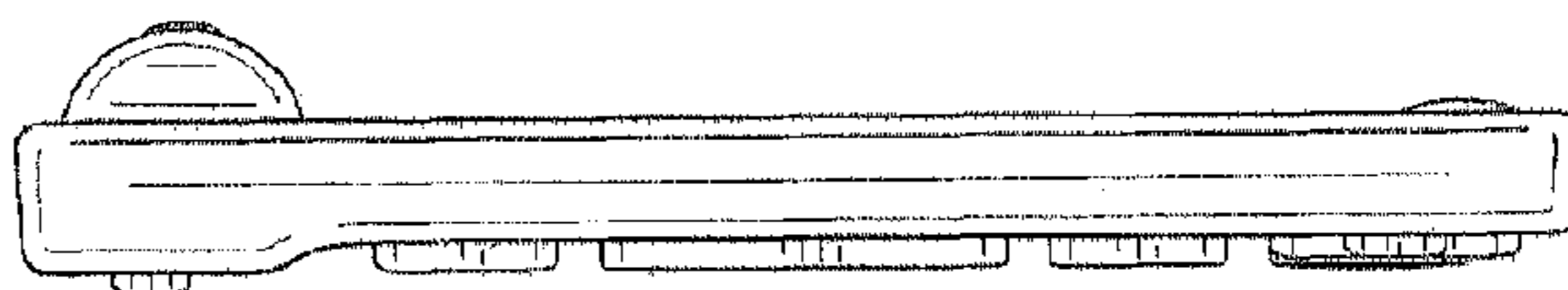


FIG. 8

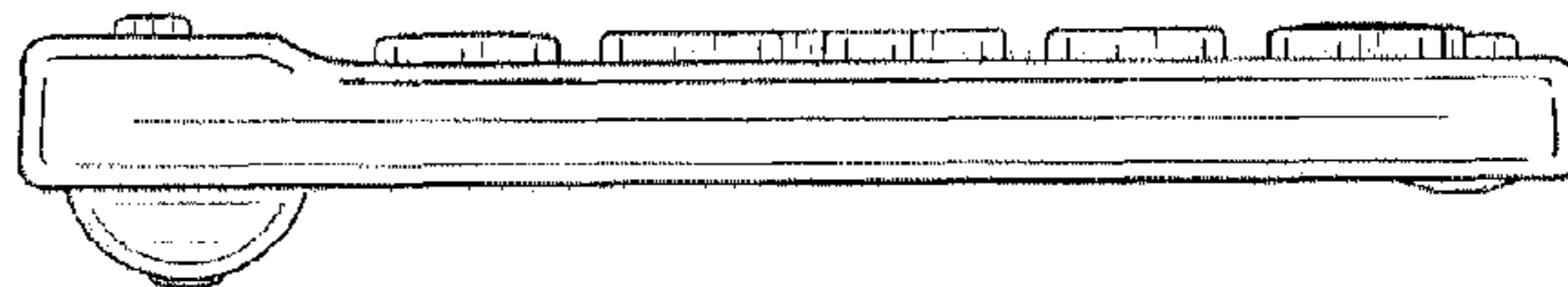


FIG. 7