



US00D653664S

(12) **United States Design Patent**
Turnbull et al.

(10) **Patent No.:** **US D653,664 S**
(45) **Date of Patent:** **** Feb. 7, 2012**

(54) **CARD READER FOR MOBILE PHONE**

(75) Inventors: **David Turnbull**, Thousand Oaks, CA (US); **Stanley Kuo**, Taipei (TW); **Dan Loomis**, Sacramento, CA (US)

(73) Assignee: **Verifone, Inc.**, San Jose, CA (US)

(**) Term: **14 Years**

(21) Appl. No.: **29/358,848**

(22) Filed: **Apr. 1, 2010**

(51) **LOC (9) Cl.** **14-02**

(52) **U.S. Cl.** **D14/385**

(58) **Field of Classification Search** D14/356–358, D14/383–385, 420, 426, 427, 432–439, 447, D14/453, 454, 217, 253, 299; D13/107, D13/108, 133, 146, 147, 152, 154, 156, 158, D13/162, 162.1, 168, 173, 177; 235/449, 235/493, 375–386; D18/4.6, 12; D99/28, D99/43

See application file for complete search history.

(56) **References Cited**

U.S. PATENT DOCUMENTS

- D325,471 S * 4/1992 McCain et al. D3/226
- D327,868 S * 7/1992 Oka D13/110
- D329,749 S * 9/1992 Scheid D3/218
- D337,435 S * 7/1993 Kaneko et al. D3/218
- D361,763 S * 8/1995 Nagele et al. D14/144
- D385,283 S * 10/1997 Snyder et al. D14/253
- D408,418 S 4/1999 Pescetto et al.
- D419,955 S * 2/2000 Silzer, Jr. D13/108
- D426,549 S * 6/2000 Carlson D14/433
- D433,996 S 11/2000 Ma
- D457,526 S * 5/2002 Hawkins et al. D14/434
- D460,761 S * 7/2002 Croley D14/434
- D462,677 S 9/2002 Eroma
- D472,896 S * 4/2003 Peiker D14/253
- D476,376 S * 6/2003 Wintersteiger D21/329
- D496,048 S * 9/2004 Chen D14/432
- D523,008 S 6/2006 Lodato et al.
- D523,009 S * 6/2006 Lodato et al. D14/253

- D526,272 S * 8/2006 Sade et al. D13/108
- D526,958 S 8/2006 Shimizu
- D530,714 S * 10/2006 Lu D14/299
- D545,812 S * 7/2007 Grady et al. D14/217
- D571,722 S * 6/2008 Kang et al. D13/107
- D577,358 S 9/2008 Kettula et al.
- D577,721 S 9/2008 O'Neill
- D586,795 S * 2/2009 Richter D14/253
- D587,695 S * 3/2009 Leng et al. D14/240
- D605,645 S * 12/2009 Kettula D14/253
- D624,114 S * 9/2010 Ausems et al. D18/4.6
- D624,115 S * 9/2010 Ausems et al. D18/4.6
- 7,844,255 B2 * 11/2010 Petrov et al. 455/411
- D638,012 S * 5/2011 Tian et al. D14/341
- 2008/0142651 A1 * 6/2008 Tomasini et al. 248/176.1

OTHER PUBLICATIONS

An office Action dated Jun. 9, 2011, which issued during the prosecution of Applicant's U.S. Appl. No. 29/381,855.

* cited by examiner

Primary Examiner — Cathron Brooks

Assistant Examiner — Deanna Fluegeman

(74) *Attorney, Agent, or Firm* — Sughrue Mion, PLLC

(57) **CLAIM**

The ornamental design for a card reader for mobile phone, as shown and described.

DESCRIPTION

FIG. 1 is a perspective view of a card reader for a mobile phone showing my new design; FIG. 2 is another perspective view thereof; FIG. 3 is a right side elevation view thereof; FIG. 4 is a left side elevation view thereof; FIG. 5 is a front elevation view thereof; FIG. 6 is a rear elevation view thereof; FIG. 7 is a bottom plan view thereof; and, FIG. 8 is a top plan view thereof. The broken lines in the drawing figures show environmental structure only, and form no part of the claimed design.

1 Claim, 6 Drawing Sheets

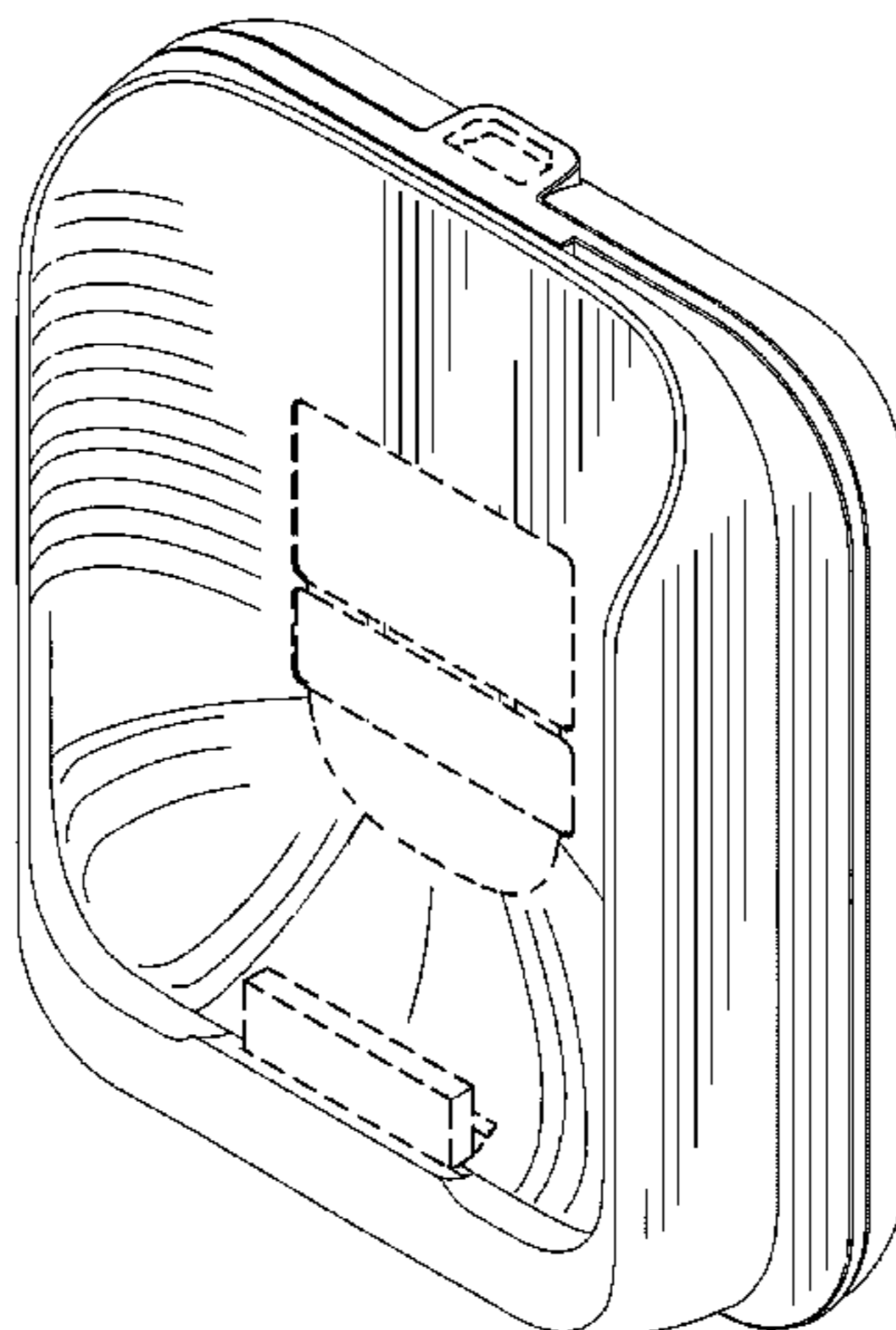


FIG. 1

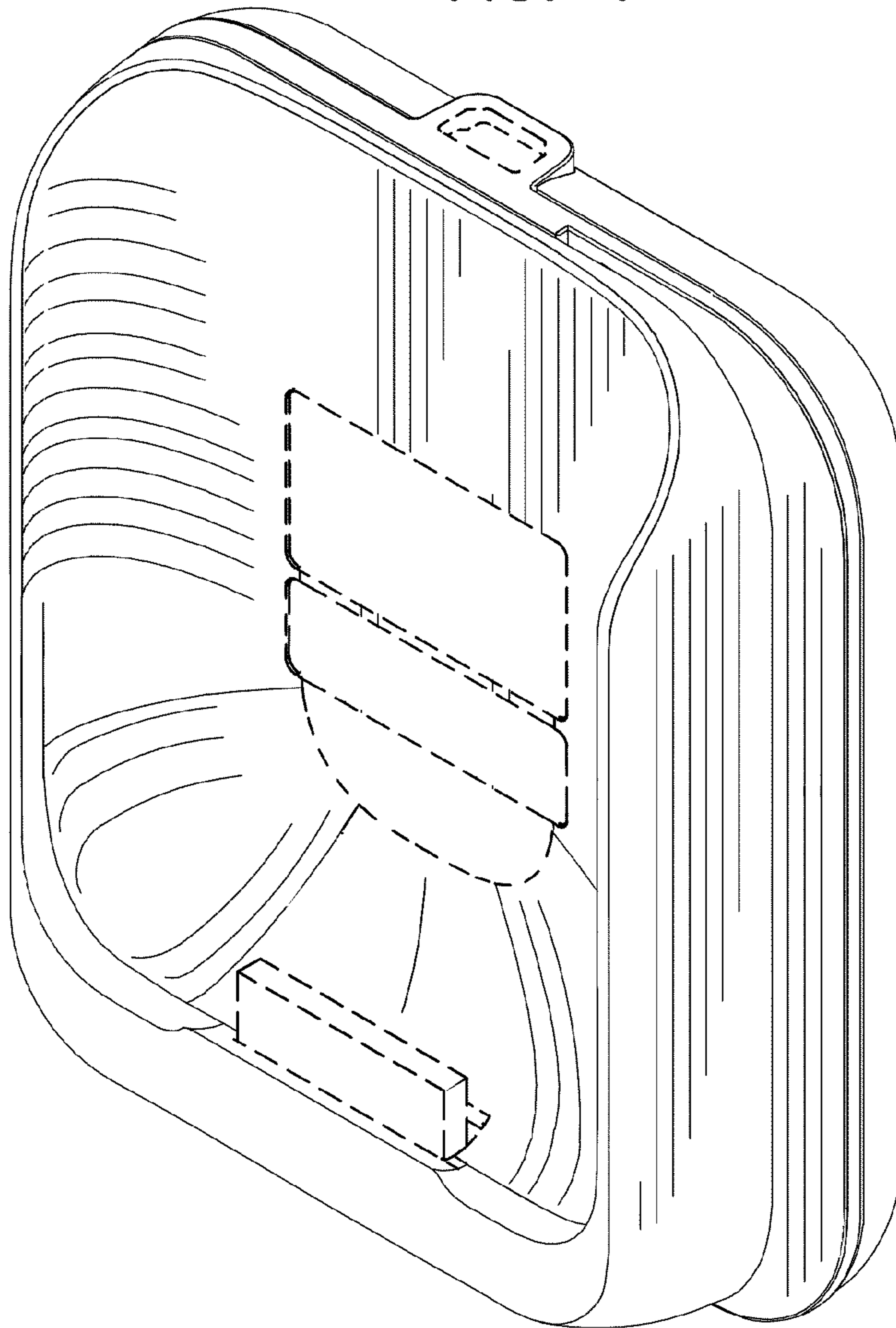


FIG. 2

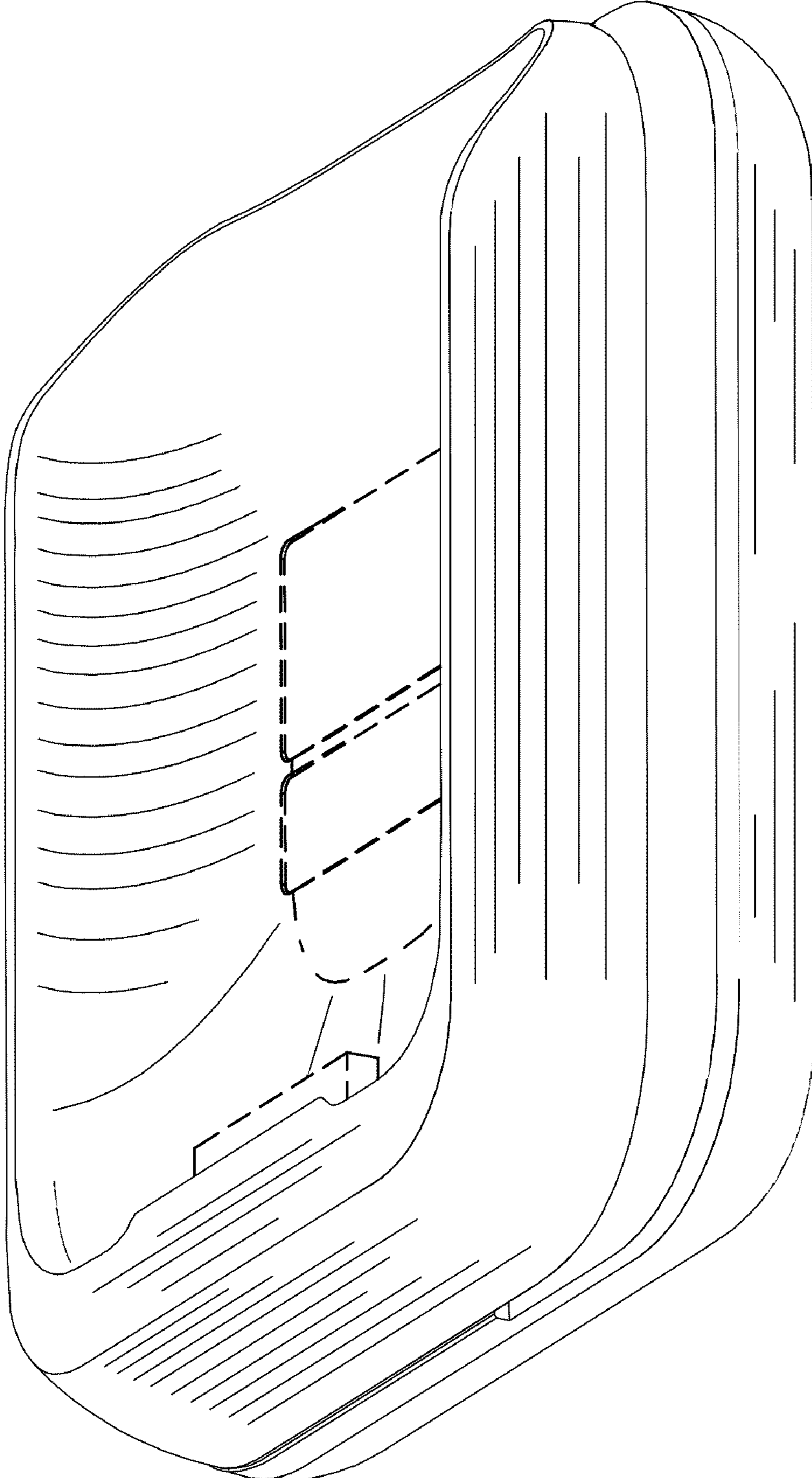


FIG. 3

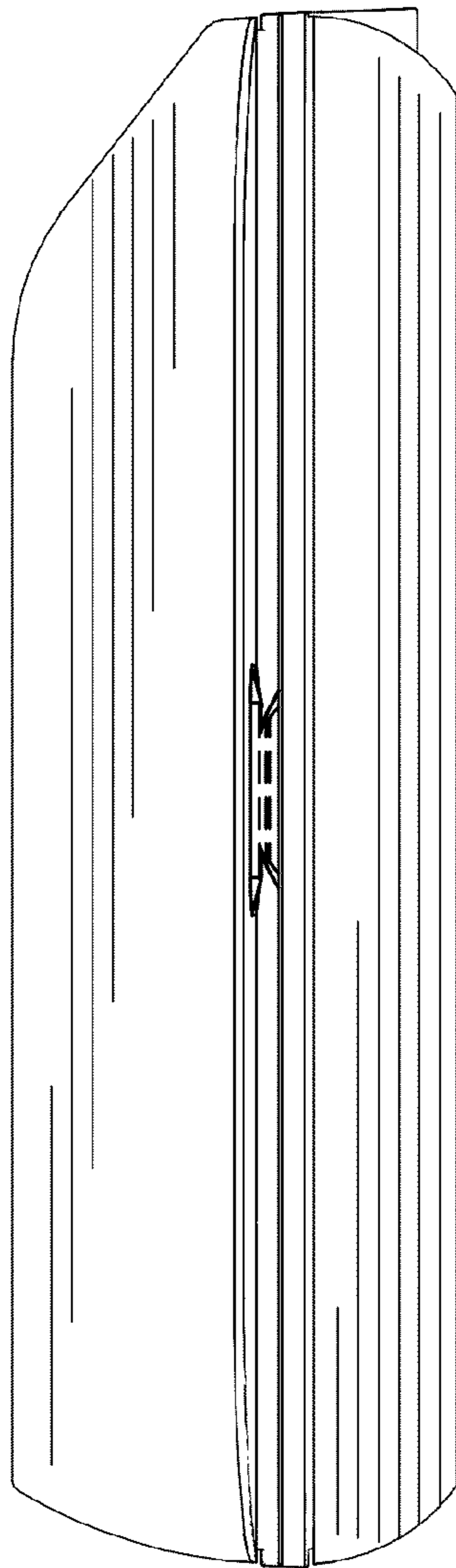


FIG. 4

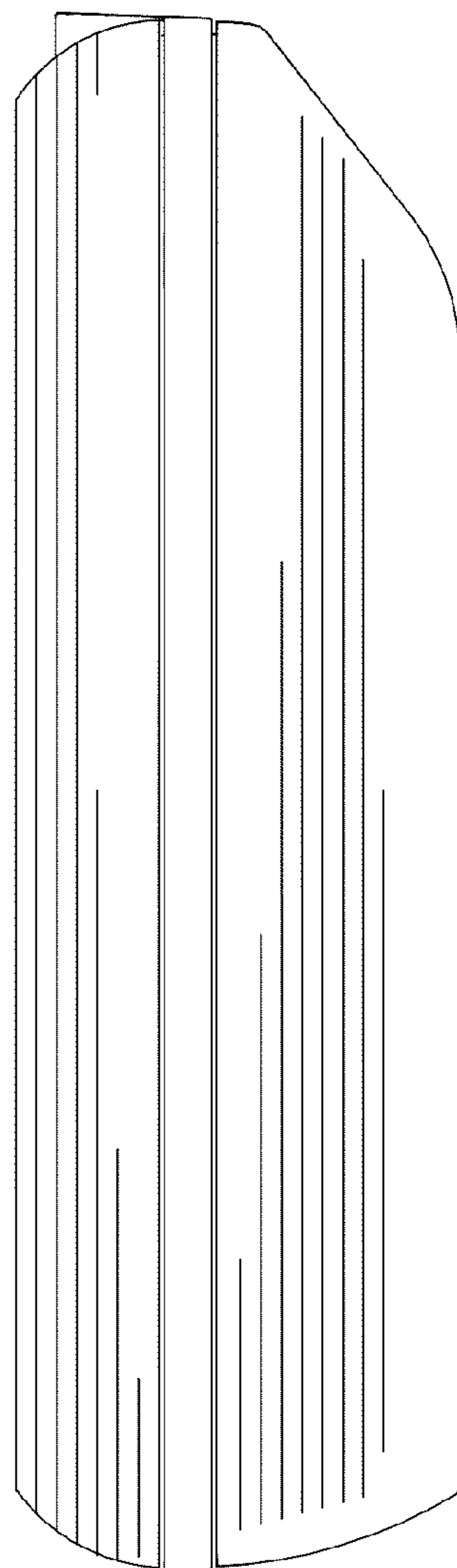


FIG. 5

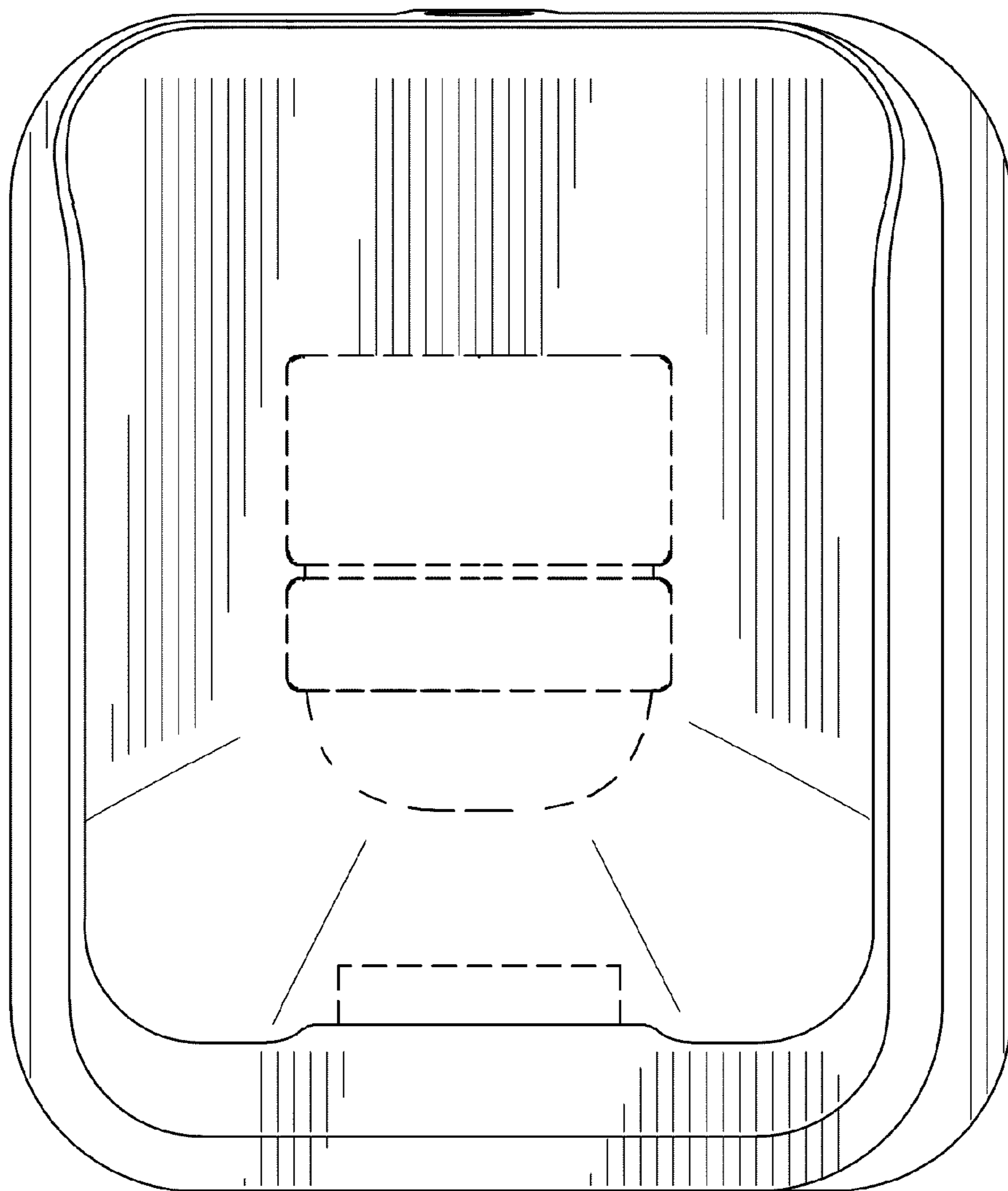


FIG. 6

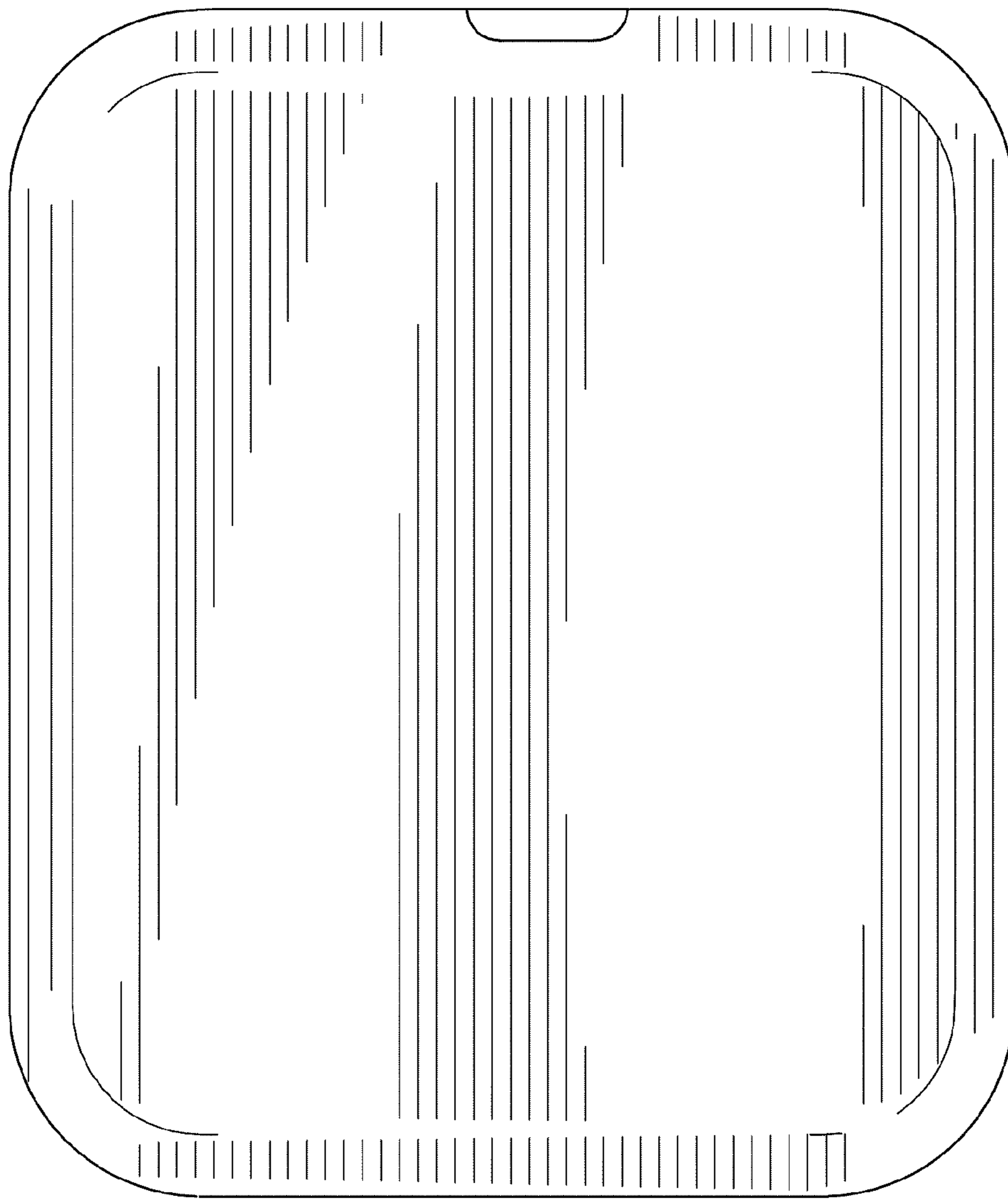


FIG. 7

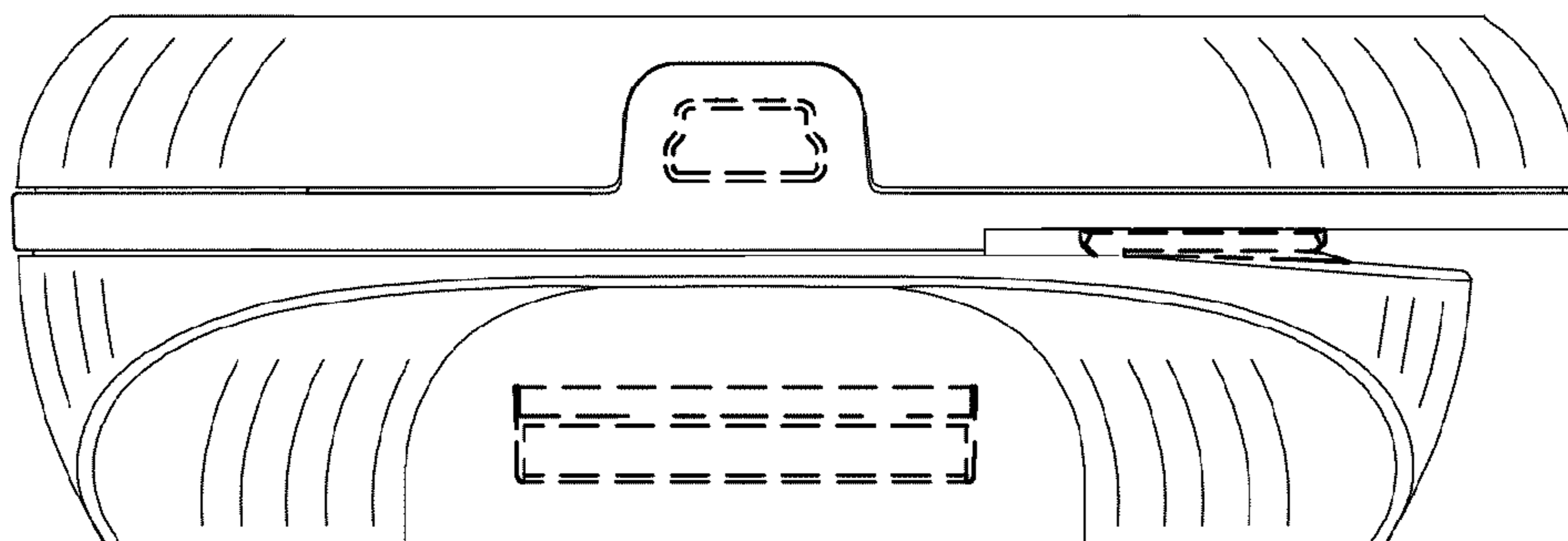


FIG. 8

