



US00D653663S

(12) **United States Design Patent**  
**Matsui et al.**

(10) **Patent No.:** **US D653,663 S**

(45) **Date of Patent:** **\*\* Feb. 7, 2012**

(54) **DISPLAY**

(75) Inventors: **Seiji Matsui**, Minato-ku (JP); **Naoto Fukasawa**, Shibuya-ku (JP)

(73) Assignee: **NEC Display Solutions, Ltd.**, Tokyo (JP)

(\*\*) Term: **14 Years**

(21) Appl. No.: **29/356,024**

(22) Filed: **Feb. 18, 2010**

(30) **Foreign Application Priority Data**

Aug. 21, 2009 (JP) ..... 2009-019196

(51) **LOC (9) Cl.** ..... **14-02**

(52) **U.S. Cl.** ..... **D14/375**

(58) **Field of Classification Search** ..... D14/371-376,  
D14/125-129, 336, 337; 248/917-924; 341/12;  
345/104, 156, 173, 174, 901-905; 348/180,  
348/184, 325, 739; 361/679.01, 679.02,  
361/679.21-679.25; 349/1, 2, 11, 58  
See application file for complete search history.

(56) **References Cited**

**U.S. PATENT DOCUMENTS**

6,381,125 B1 \* 4/2002 Mizoguchi et al. .... 361/679.08  
D473,869 S \* 4/2003 Tai ..... D14/375

7,014,154 B2 \* 3/2006 Jeong et al. .... 248/157  
7,280,665 B2 \* 10/2007 Tamura et al. .... 381/333  
2005/0041379 A1 \* 2/2005 Jang ..... 361/681  
2006/0076463 A1 \* 4/2006 Drew ..... 248/121

\* cited by examiner

*Primary Examiner* — Freda S Nunn

(74) *Attorney, Agent, or Firm* — Sughrue Mion, PLLC

(57) **CLAIM**

The ornamental design for a display, as shown and described.

**DESCRIPTION**

FIG. 1 is a front, left side, top perspective view of a display showing our new design;

FIG. 2 is a front elevational view thereof;

FIG. 3 is a rear elevational view thereof;

FIG. 4 is a left side view thereof;

FIG. 5 is a right side view thereof;

FIG. 6 is a top plan view thereof;

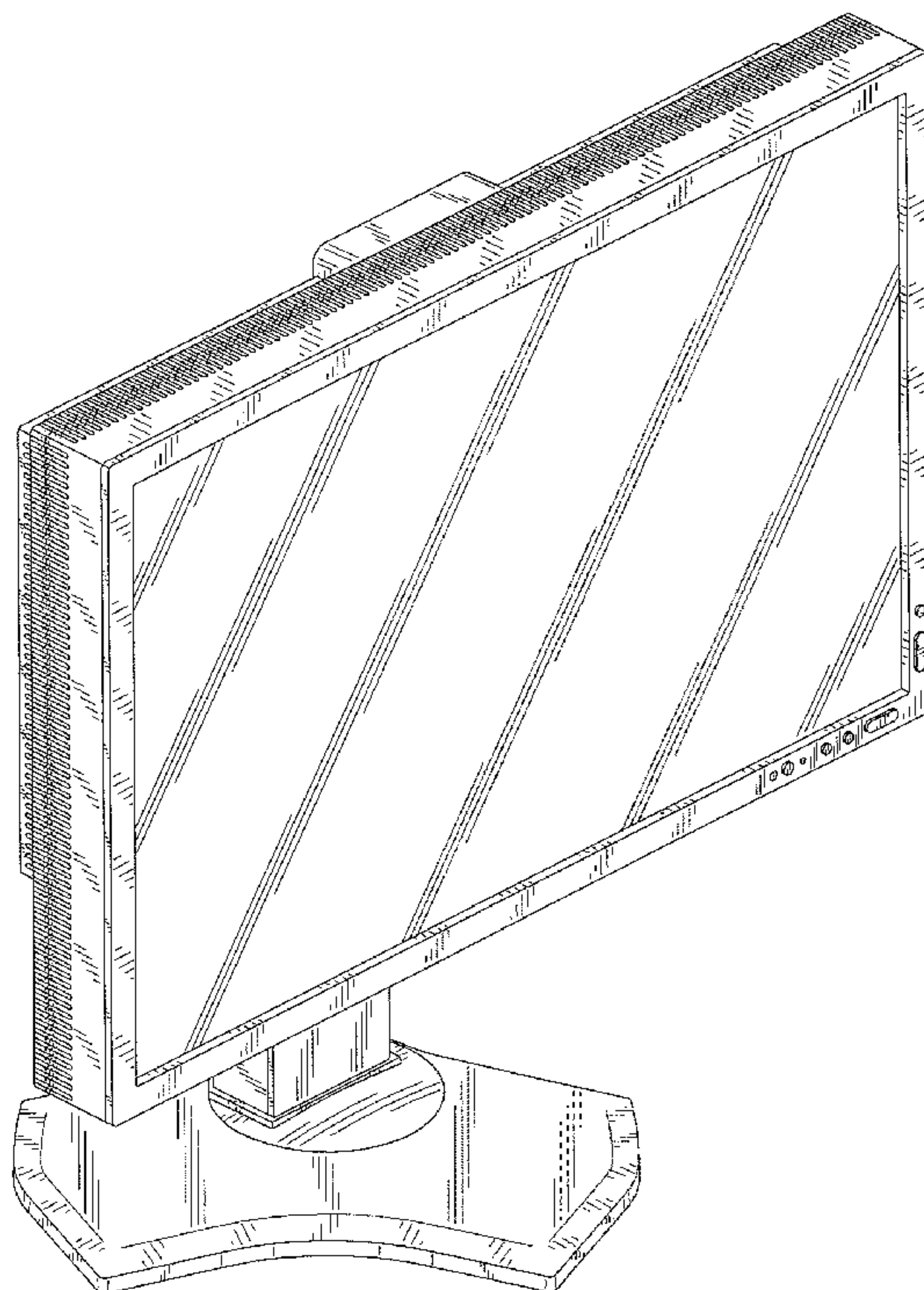
FIG. 7 is a bottom plan view thereof;

FIG. 8 is a reduced scale perspective view thereof showing a state in which the leg part is extended;

FIG. 9 is a reduced scale perspective view thereof showing a state in which the leg part is extended and the display portion is turned to the right; and,

FIG. 10 is a top plan view thereof showing a state in which the leg part is extended and the display portion is turned to the left.

**1 Claim, 9 Drawing Sheets**



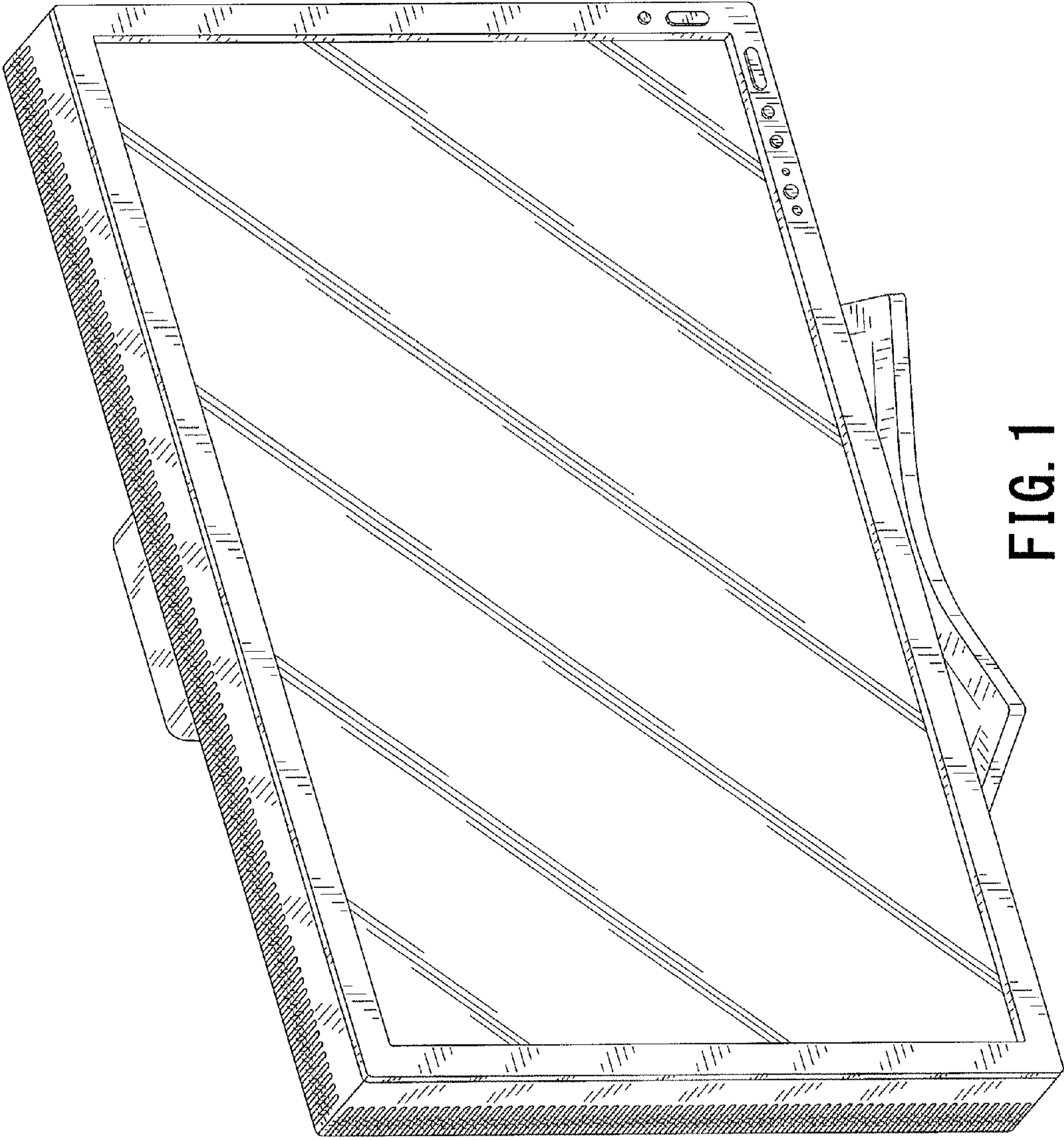


FIG. 1

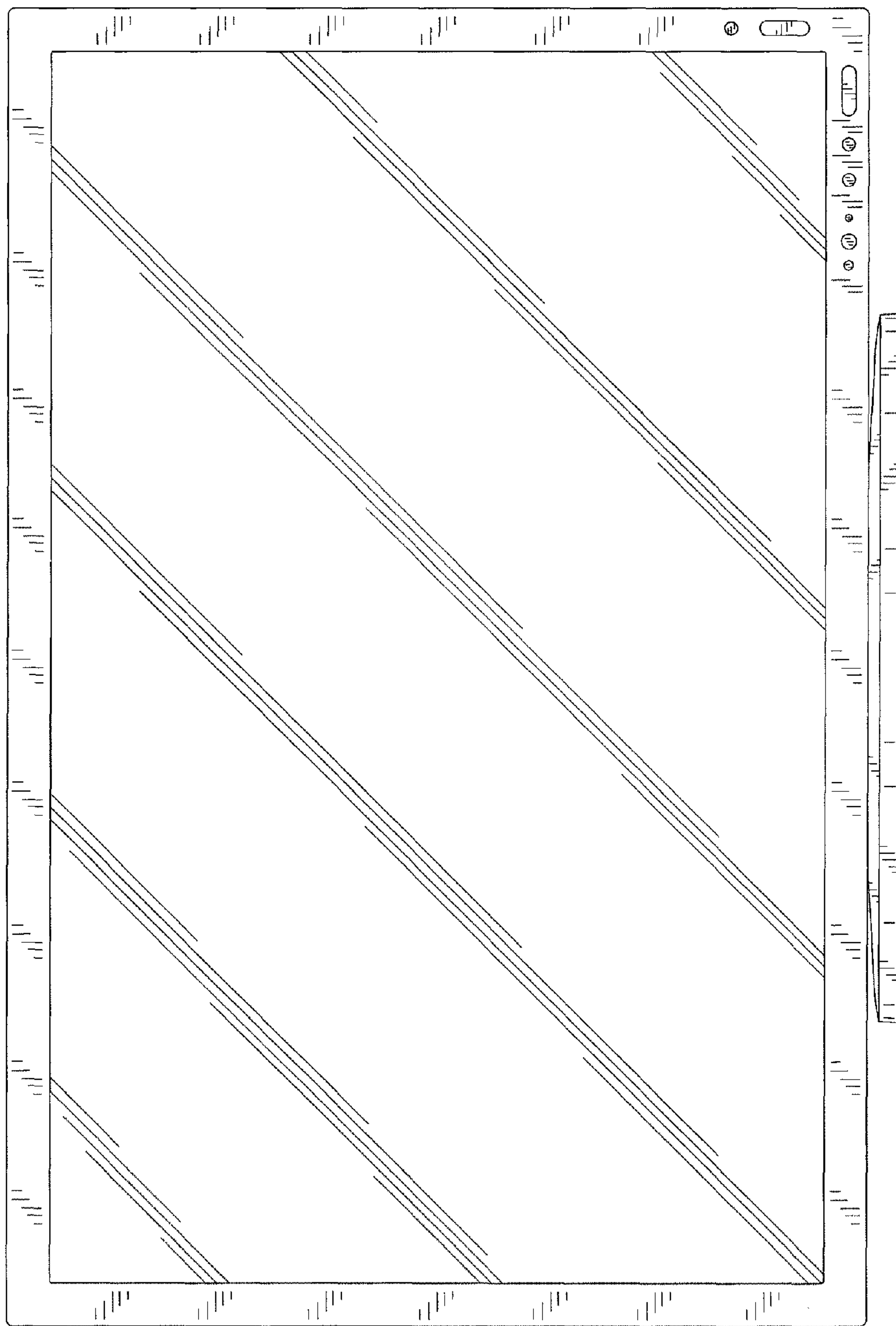


FIG. 2



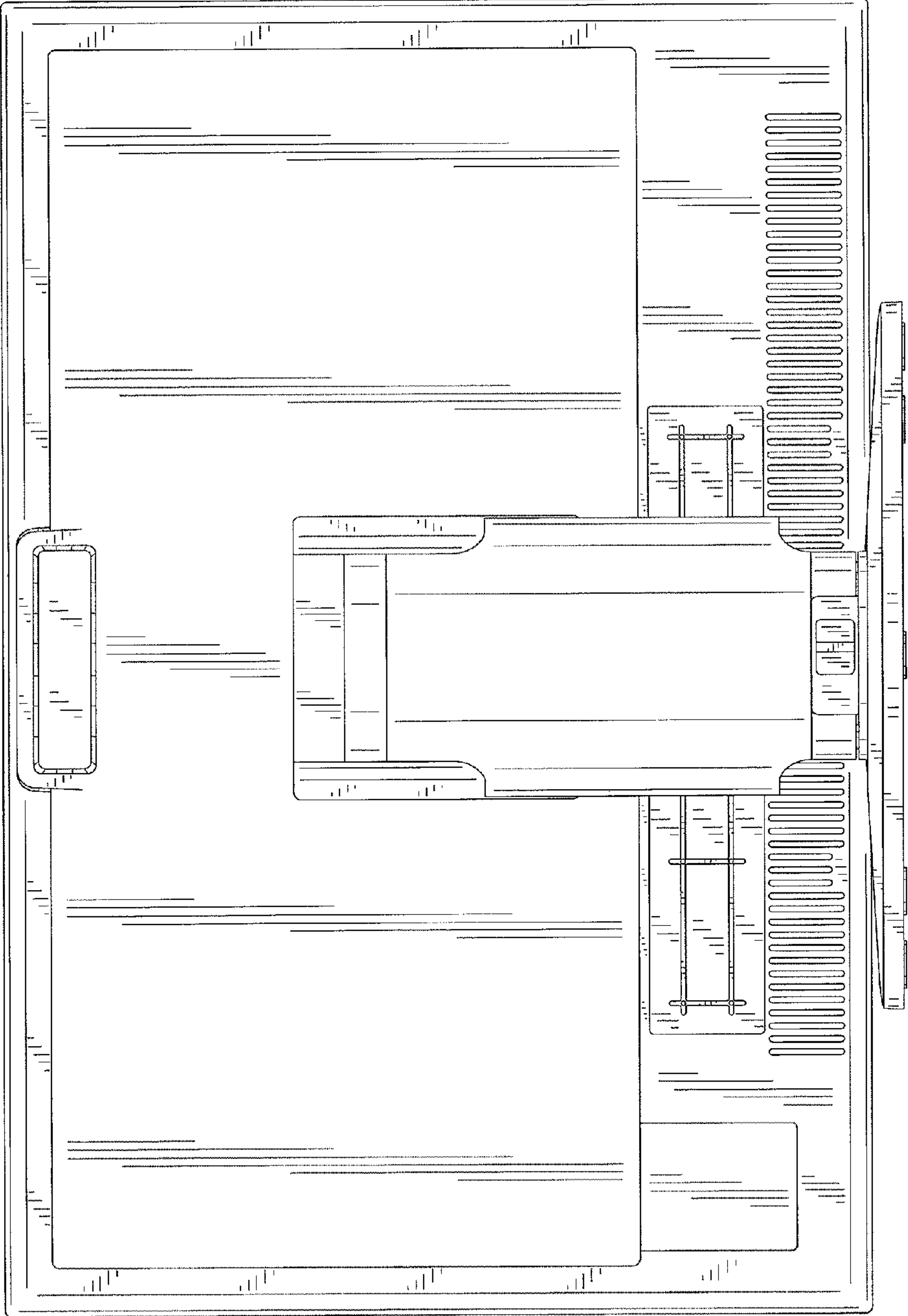


FIG. 3

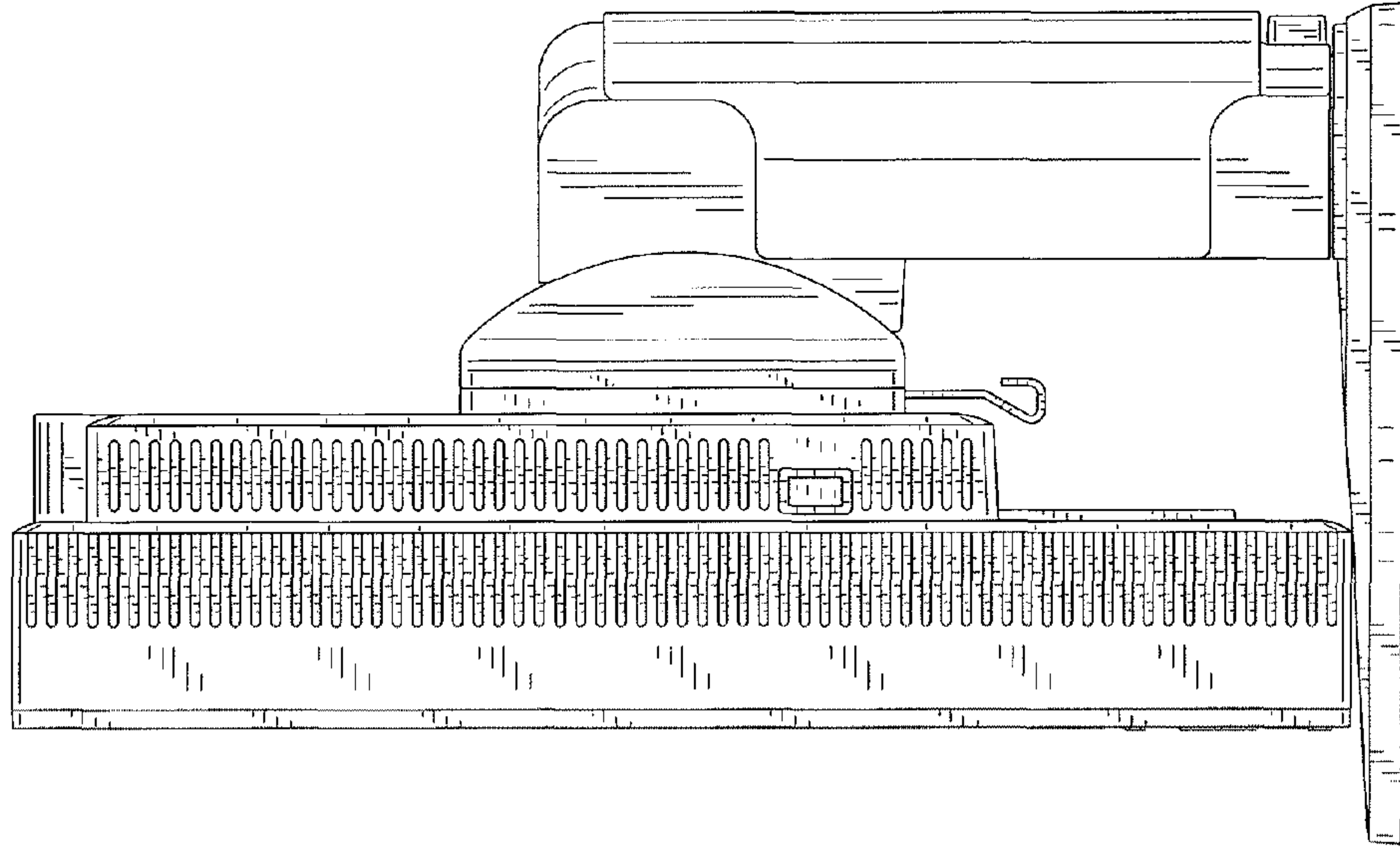


FIG. 5

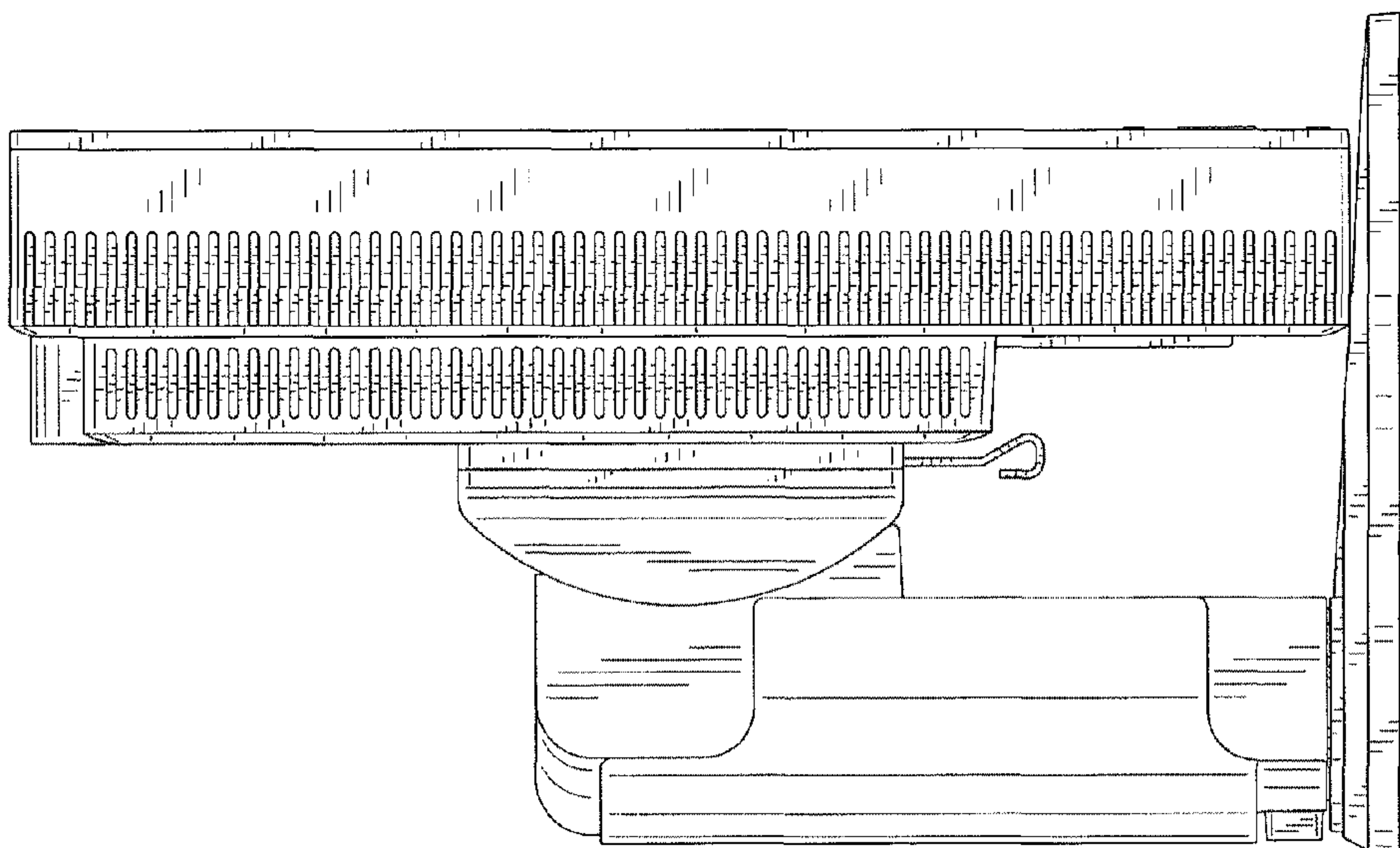


FIG. 4

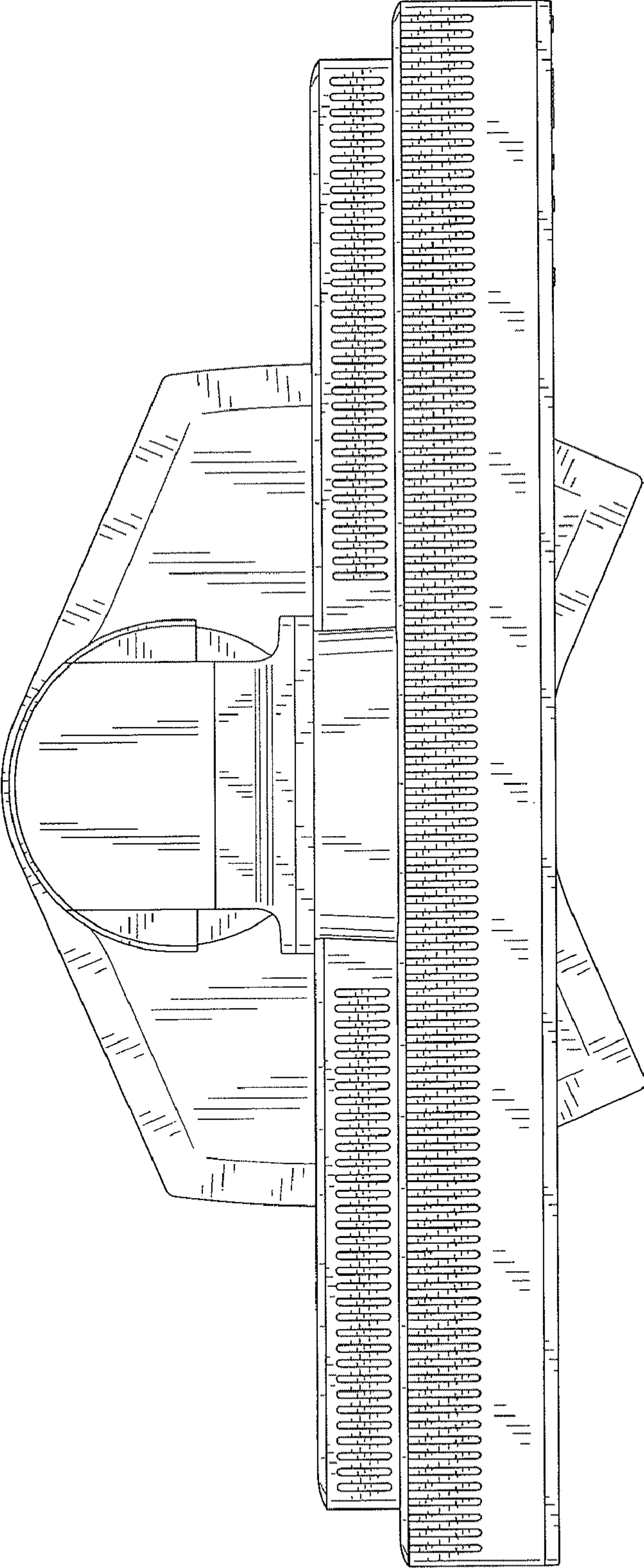


FIG. 6

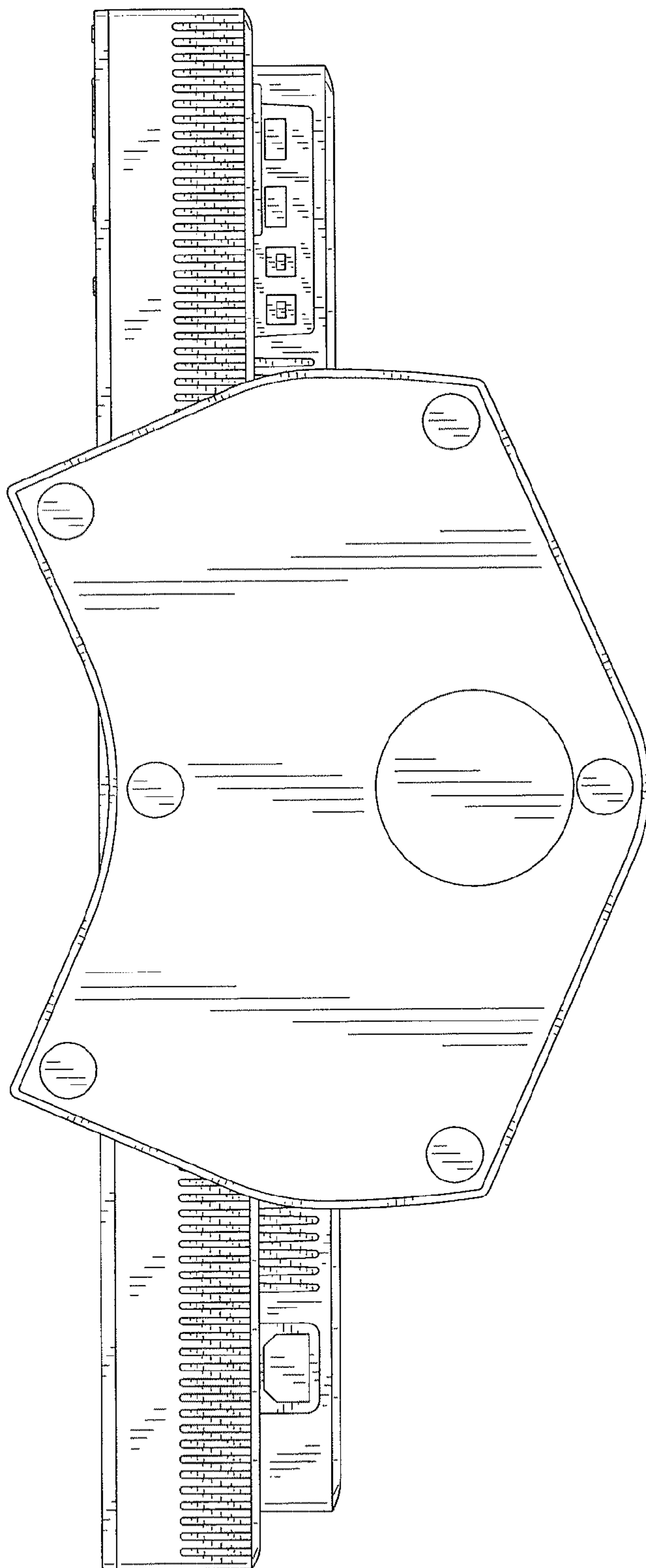


FIG. 7



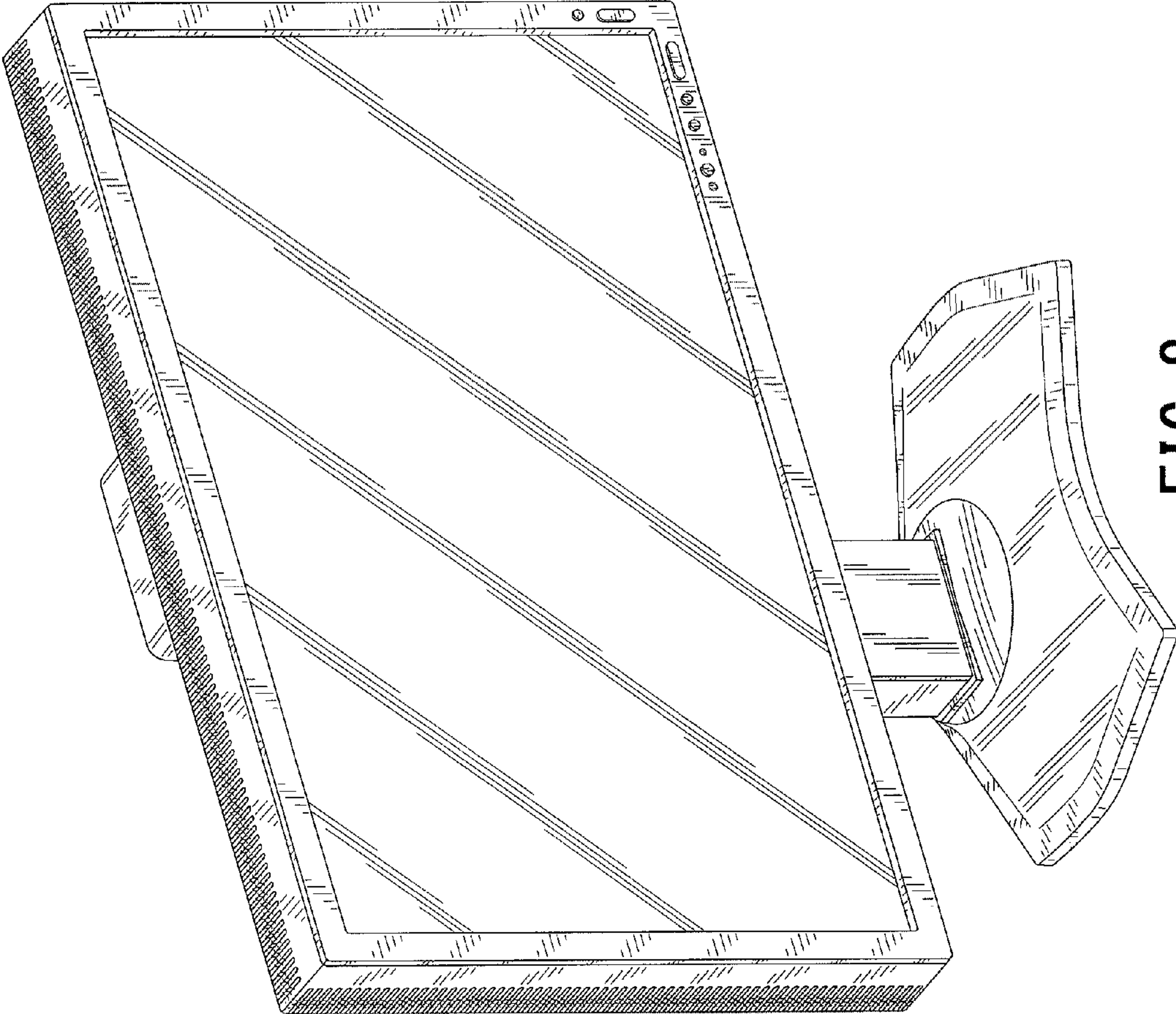


FIG. 8



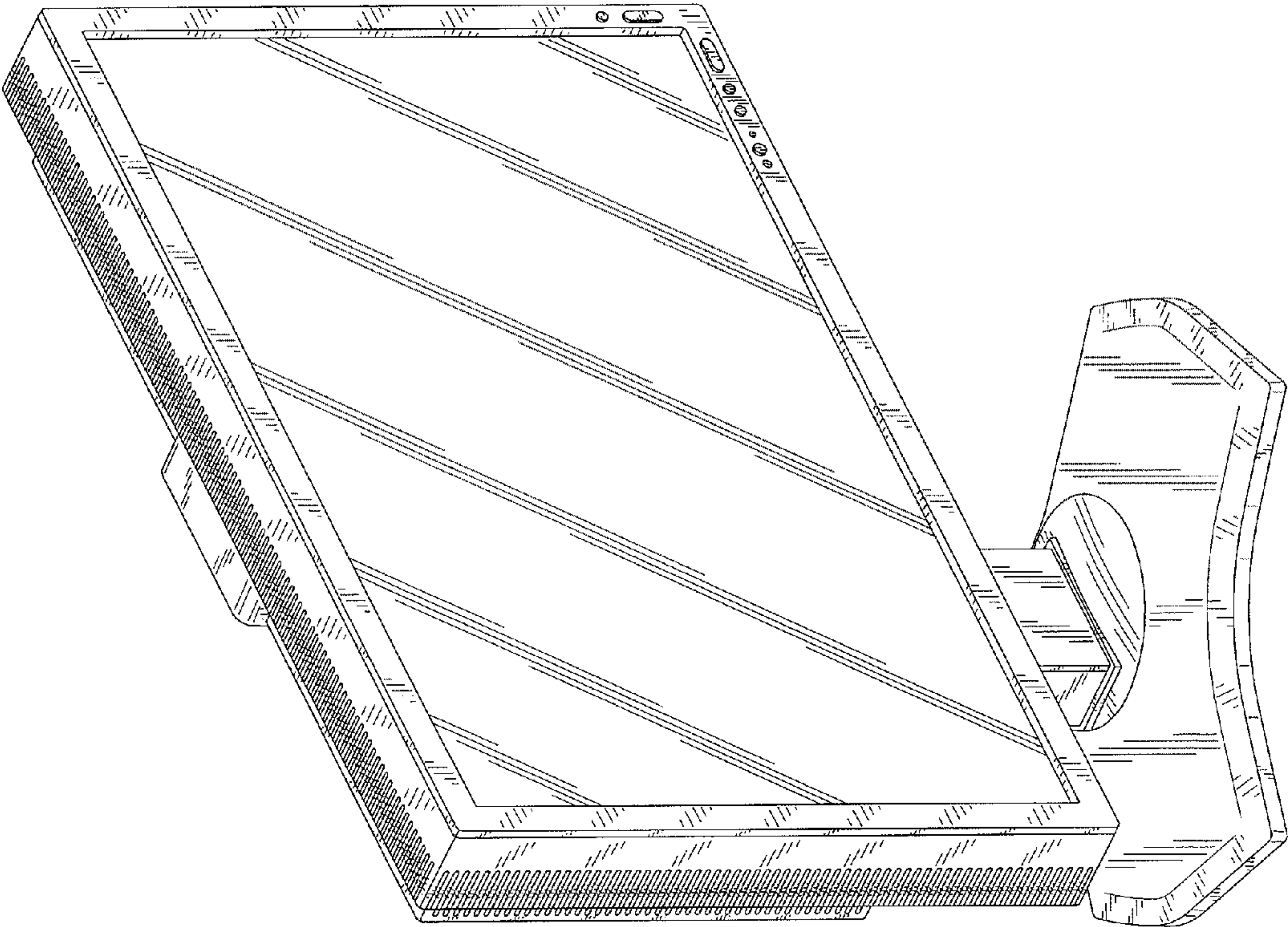


FIG. 9

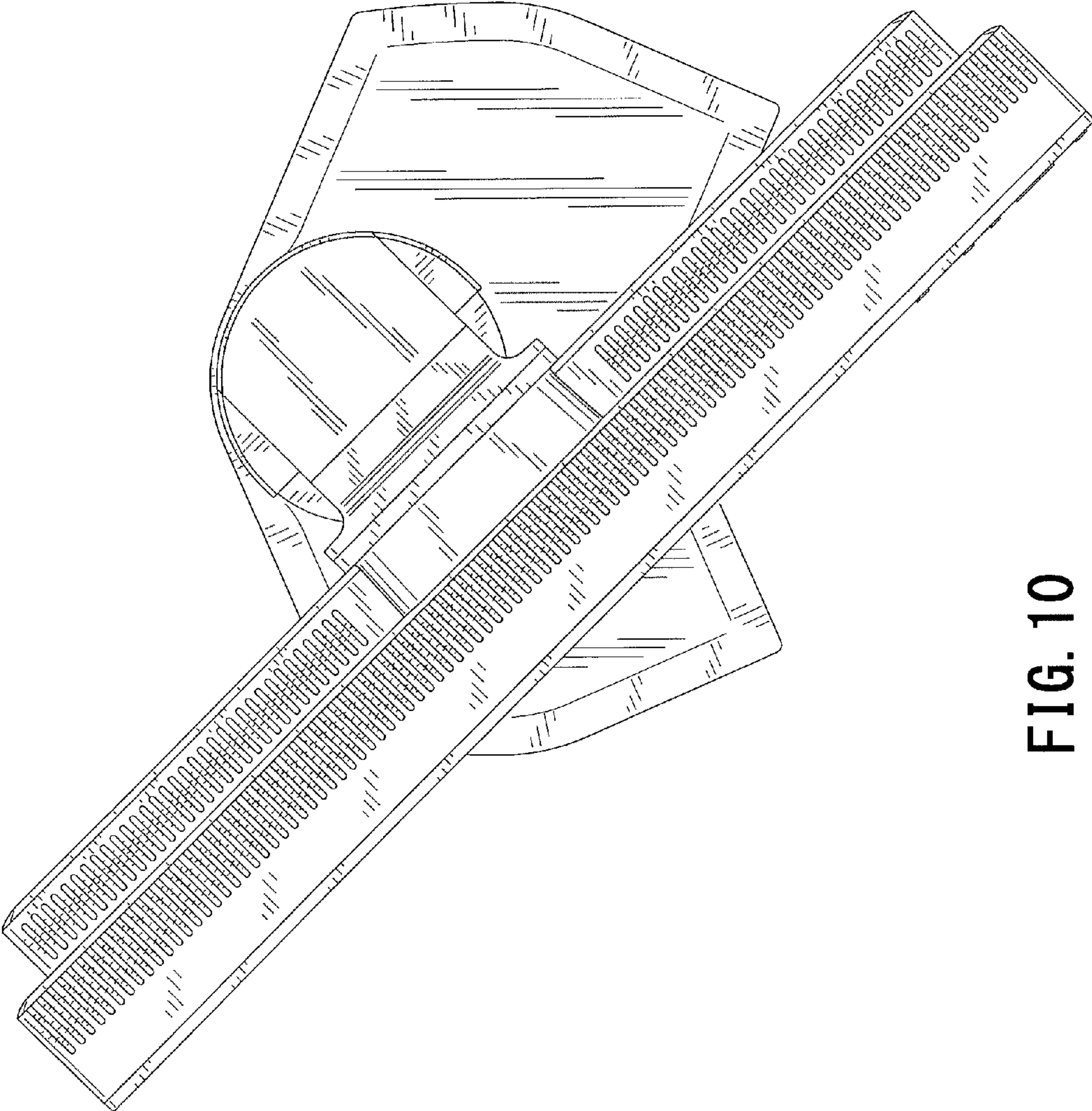


FIG. 10