



US00D653662S

(12) **United States Design Patent**  
**Park et al.**

(10) **Patent No.:** **US D653,662 S**  
(45) **Date of Patent:** **\*\* Feb. 7, 2012**

(54) **WIRELESS INTERNET SHARE DEVICE**  
(75) Inventors: **Jin-Su Park**, Seoul (KR);  
**Kyung-Hoon Kim**, Kyunggi-do (KR)  
(73) Assignee: **Samsung Electronics Co., Ltd.**, Suwon  
(KR)

7,430,116 B2 \* 9/2008 Liu ..... 361/679.33  
D580,933 S \* 11/2008 Ju et al. .... D14/358  
D599,754 S \* 9/2009 Xie et al. .... D14/125  
D601,583 S \* 10/2009 Andre et al. .... D14/496  
D601,980 S \* 10/2009 Ogawa ..... D14/125  
D609,687 S \* 2/2010 Lyman et al. .... D14/155  
D624,912 S \* 10/2010 Chen et al. .... D14/356  
2009/0222863 A1 \* 9/2009 Lin ..... 725/81

(\*\*) **Term:** **14 Years**  
(21) **Appl. No.:** **29/390,456**  
(22) **Filed:** **Apr. 25, 2011**

**FOREIGN PATENT DOCUMENTS**

KR 3004589290000 8/2007  
KR 300581723000 12/2010

(30) **Foreign Application Priority Data**  
Jan. 11, 2011 (KR) ..... 30-2011-0001119  
(51) **LOC (9) Cl.** ..... **14-02**  
(52) **U.S. Cl.** ..... **D14/358; D14/240**  
(58) **Field of Classification Search** ..... D14/300–302,  
D14/313, 314, 341, 348–370, 383, 385, 432,  
D14/435, 436, 496, 125, 135, 137, 155, 240–242,  
D14/299; D3/201, 273; D18/56; D10/65,  
D10/75, 78; D13/103, 149, 162, 184, 199;  
361/679.31, 679.33, 679.4, 752; 711/100,  
711/115

**OTHER PUBLICATIONS**

DataStor Technology Co. Ltd @ Global Sources Online—Supplier  
Homepage, [online], [retrieved on Jan. 14, 2006]. Retrieved from the  
Internet <URL: [http://datastor.manufacturer.globalsources.com/si/6008800307...Compact-Case-for/product\\_id-1002430427/action-GetProduct.html](http://datastor.manufacturer.globalsources.com/si/6008800307...Compact-Case-for/product_id-1002430427/action-GetProduct.html)>.\*  
Sonos, Inc. | Products | ZonePlayers | ZP100 | Images, p. 1 [online],  
[retrieved on Jul. 26, 2007]. Retrieved from the Internet <URL:  
<http://www.sonos.com/products/zoneplayers/zp100/images.htm>>.\*

See application file for complete search history.

\* cited by examiner

*Primary Examiner* — Karen E Kearney  
(74) *Attorney, Agent, or Firm* — Wood, Herron & Evans,  
LLP

(56) **References Cited**

(57) **CLAIM**  
The ornamental design for a wireless internet share device, as  
shown and described.

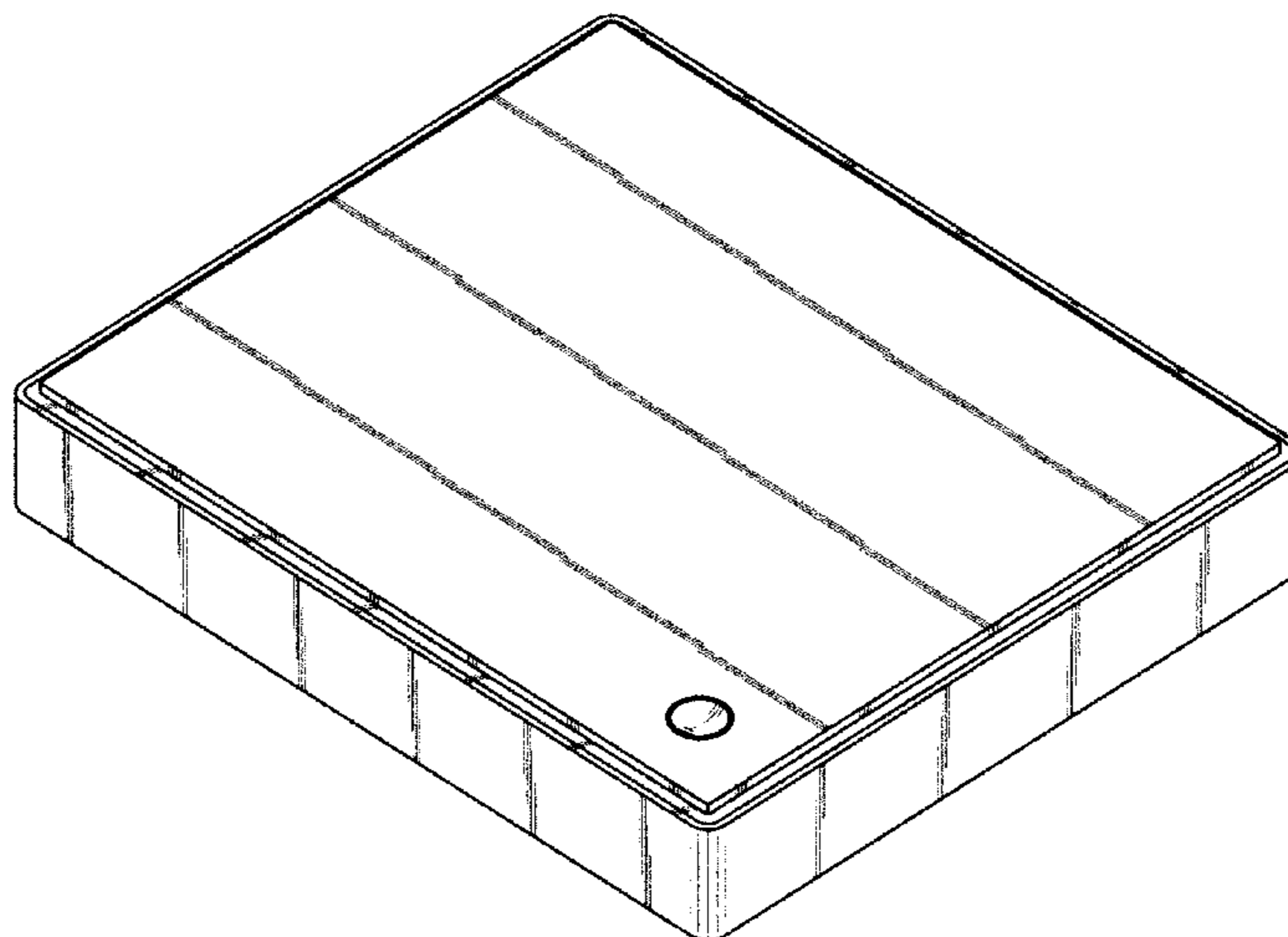
**U.S. PATENT DOCUMENTS**

**DESCRIPTION**

D263,709 S \* 4/1982 Ando ..... D14/155  
D470,119 S \* 2/2003 Ota ..... D14/167  
D504,691 S \* 5/2005 Ohno ..... D14/496  
D513,617 S \* 1/2006 Tierney ..... D14/496  
D522,531 S \* 6/2006 Solomon et al. .... D14/496  
D526,648 S \* 8/2006 Andre et al. .... D14/314  
D537,817 S \* 3/2007 Andre et al. .... D14/314  
D540,318 S \* 4/2007 Wang ..... D14/300  
D541,274 S \* 4/2007 Wang ..... D14/356  
D549,191 S \* 8/2007 Paradise et al. .... D14/125  
D558,790 S \* 1/2008 Yu et al. .... D14/496  
D568,312 S \* 5/2008 Wang et al. .... D14/356  
D574,360 S \* 8/2008 Matsuoka ..... D14/168

FIG. 1 is a top front perspective view of a wireless internet  
share device showing our new design;  
FIG. 2 is a front elevational view thereof;  
FIG. 3 is a rear elevational view thereof;  
FIG. 4 is a left side elevational view thereof;  
FIG. 5 is a right side elevational view thereof;  
FIG. 6 is a top plan view thereof; and,  
FIG. 7 is a bottom plan view thereof.

**1 Claim, 4 Drawing Sheets**



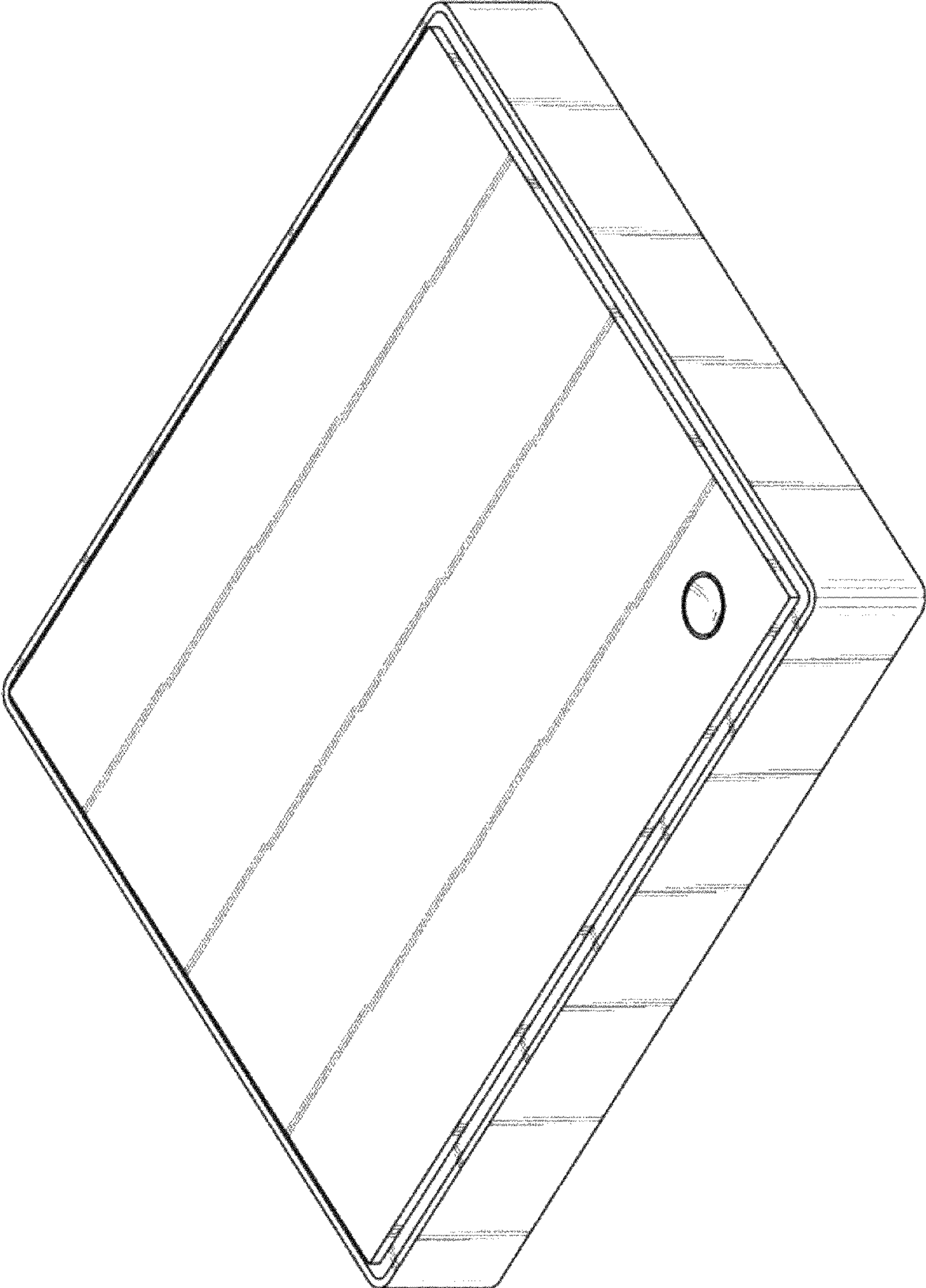


FIG.1

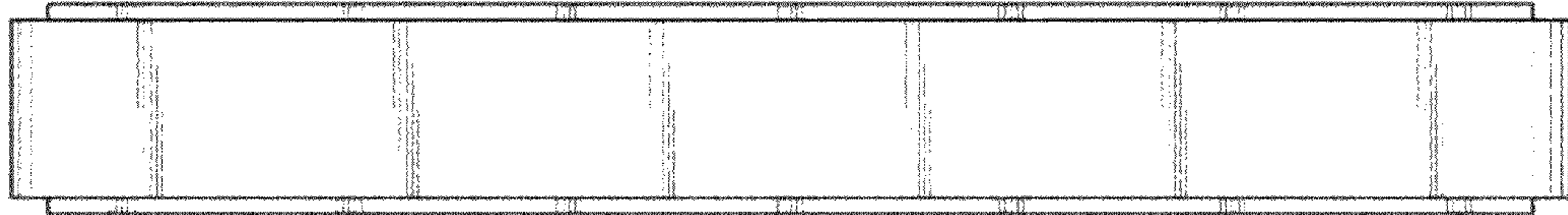


FIG. 2

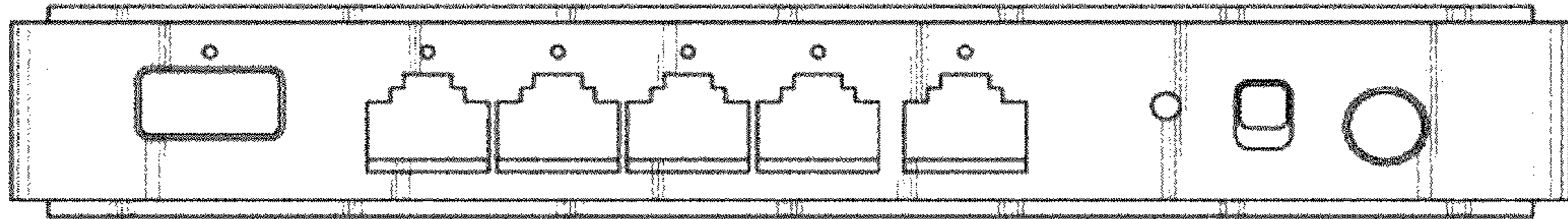


FIG. 3

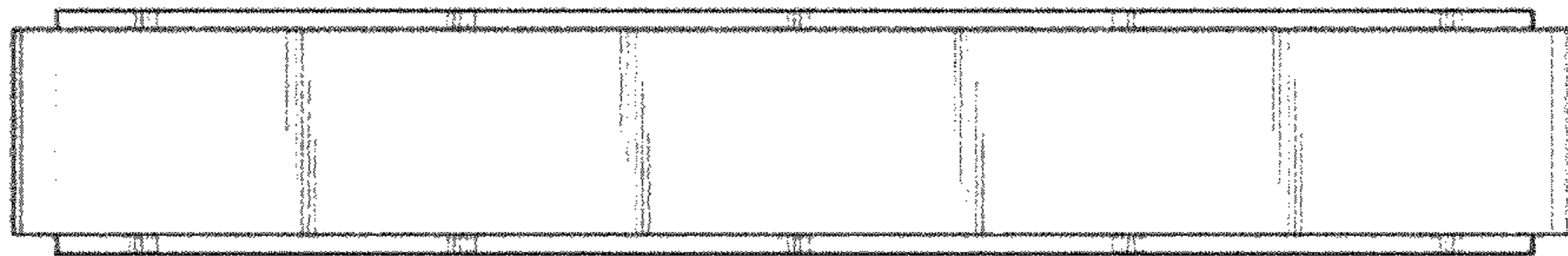


FIG. 4



FIG. 5

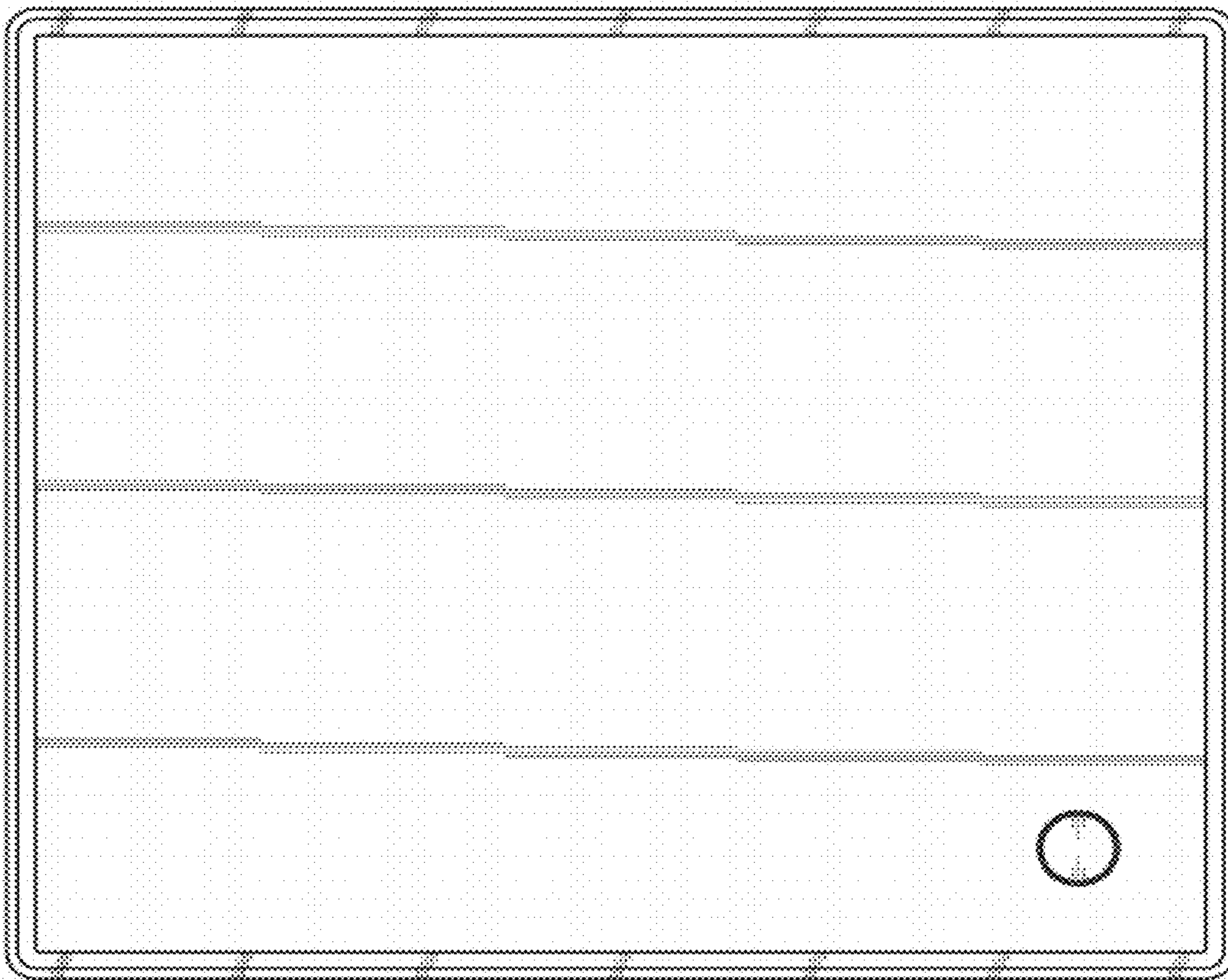


FIG.6

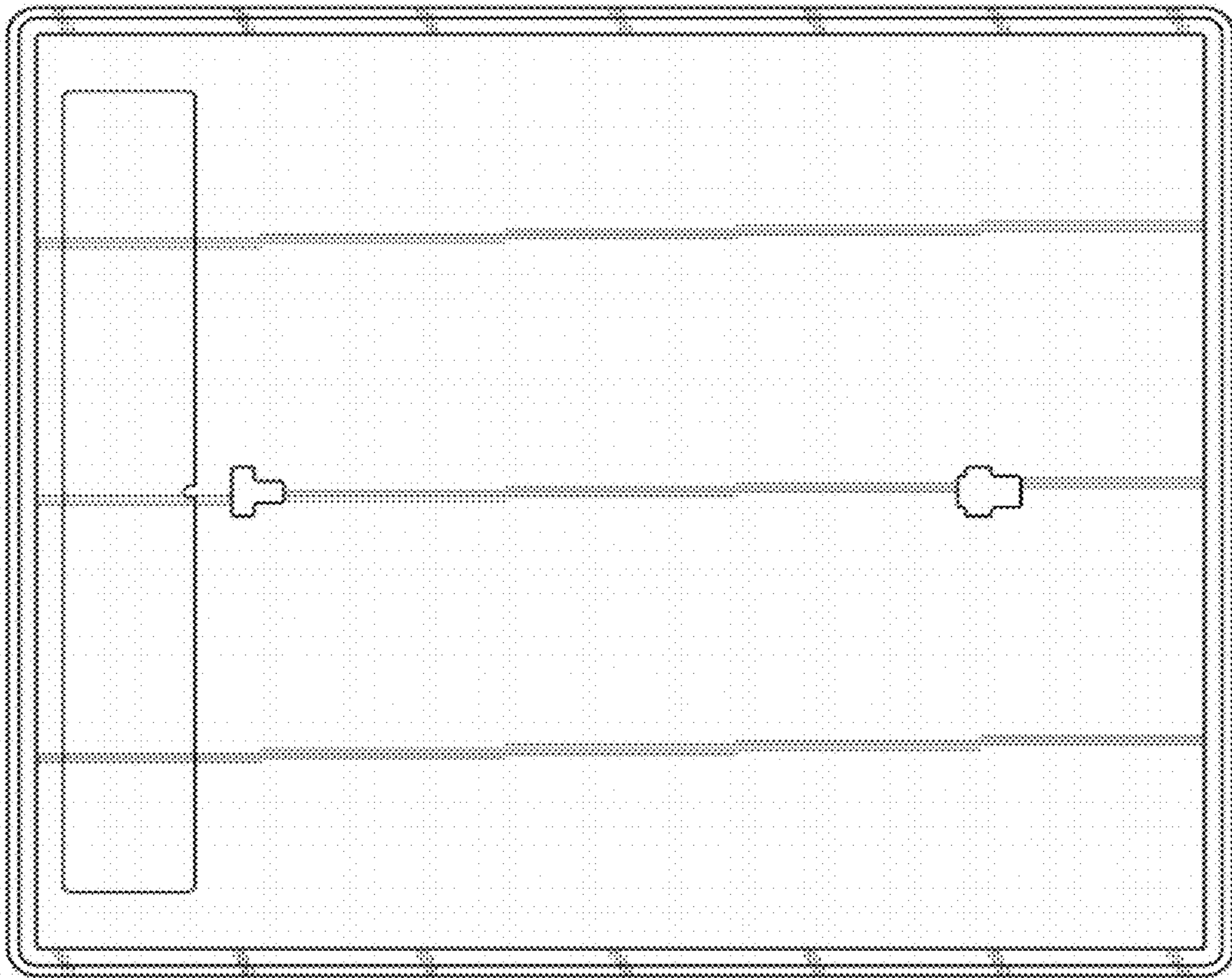


FIG. 7