



US00D653661S

(12) **United States Design Patent**
Öhrström

(10) **Patent No.:** **US D653,661 S**

(45) **Date of Patent:** **** Feb. 7, 2012**

(54) **COMPUTER**

(76) **Inventor:** **Fredrik Öhrström, Stockholm (SE)**

(**) **Term:** **14 Years**

(21) **Appl. No.:** **29/386,957**

(22) **Filed:** **Mar. 7, 2011**

(51) **LOC (9) Cl.** **14-02**

(52) **U.S. Cl.** **D14/341**

(58) **Field of Classification Search** D14/341-347,
D14/137, 138, 138.1, 138 AA, 138 R, 138 AB,
D14/138 AC, 138 AD, 138 C, 138 G, 496,
D14/203.1, 203.3, 203.4, 203.5, 203.7, 426,
D14/427, 432, 429, 129, 130, 420, 439-441,
D14/448, 125, 147, 156, 218, 247-248, 250,
D14/389, 388, 315-318; D10/65, 104; D18/6-7;
D21/324, 329, 330; D19/26, 59, 60; 455/556.1,
455/556.2, 566, 575.1, 90.3; 379/433.04,
379/433.01, 433.06, 916; 345/169, 173,
345/901, 905; 361/679.26, 679.27, 679.3,
361/679.55, 679.56

See application file for complete search history.

(56) **References Cited**

U.S. PATENT DOCUMENTS

D284,084 S *	6/1986	Ferrara, Jr.	D14/389
D353,803 S *	12/1994	Kuzumoto et al.	D14/341
D373,576 S *	9/1996	Liggett	D14/341
D408,794 S *	4/1999	Ogasawara	D14/341

D466,501 S *	12/2002	Hirota	D14/339
D477,601 S *	7/2003	Liao	D14/371
D559,251 S *	1/2008	Sandmael	D14/374
7,319,499 B2 *	1/2008	Peng	349/58
D587,261 S *	2/2009	Skaf et al.	D14/341
D615,306 S *	5/2010	Ji et al.	D6/308
D615,527 S *	5/2010	Hwang	D14/203.8
D624,535 S *	9/2010	Tsai et al.	D14/336
D629,771 S *	12/2010	Haspil et al.	D14/138 G
D631,469 S *	1/2011	Demskie et al.	D14/218
D637,985 S *	5/2011	Andresen	D14/129
D639,267 S *	6/2011	DeLorenzo et al.	D14/142

* cited by examiner

Primary Examiner — Barbara Fox

(57) **CLAIM**

I claim the ornamental design for a computer, substantially as shown and described.

DESCRIPTION

FIG. 1 is a rear perspective view of a computer in accordance with the present design;

FIG. 2 is a front view thereof;

FIG. 3 is a rear view thereof;

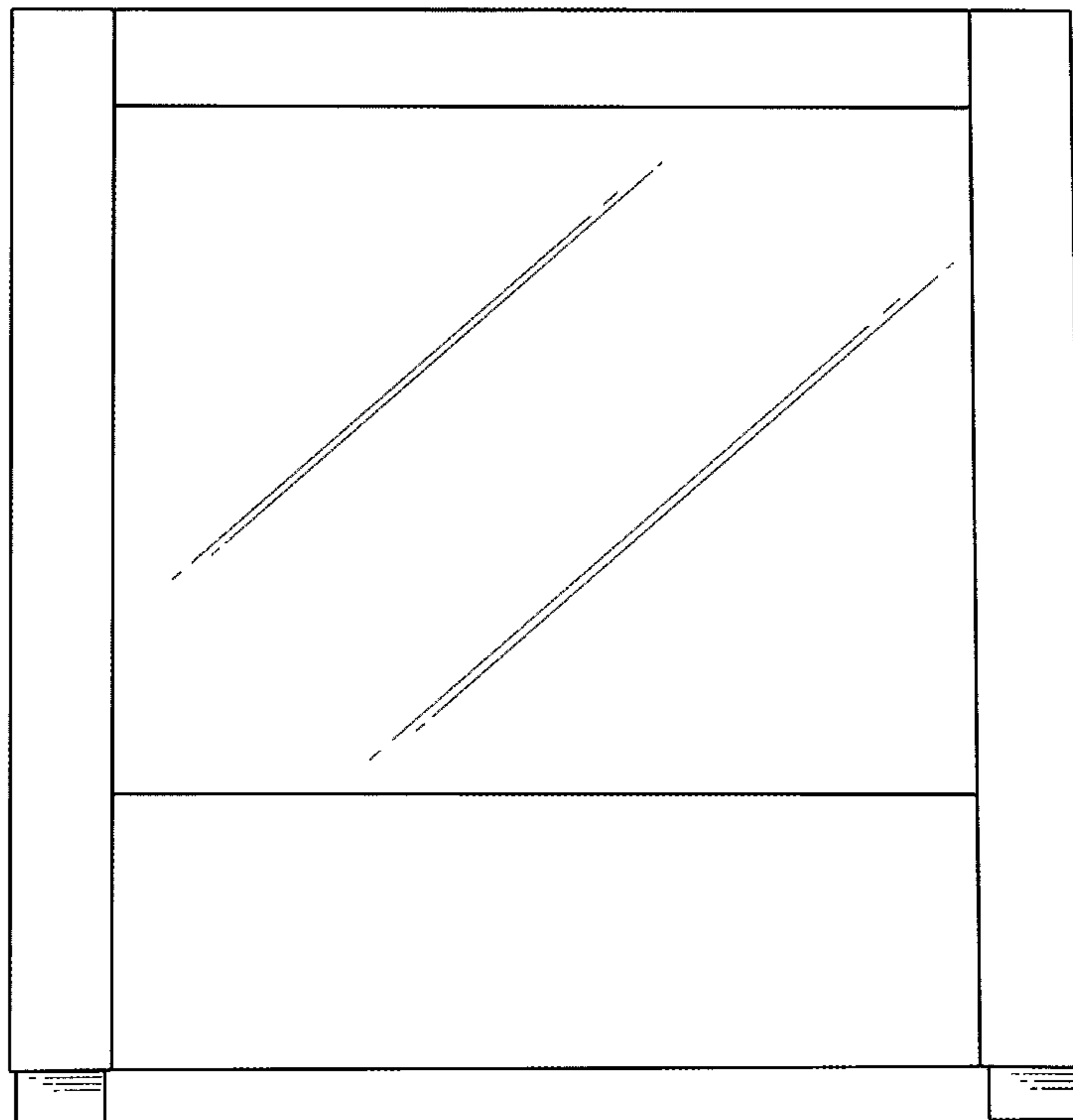
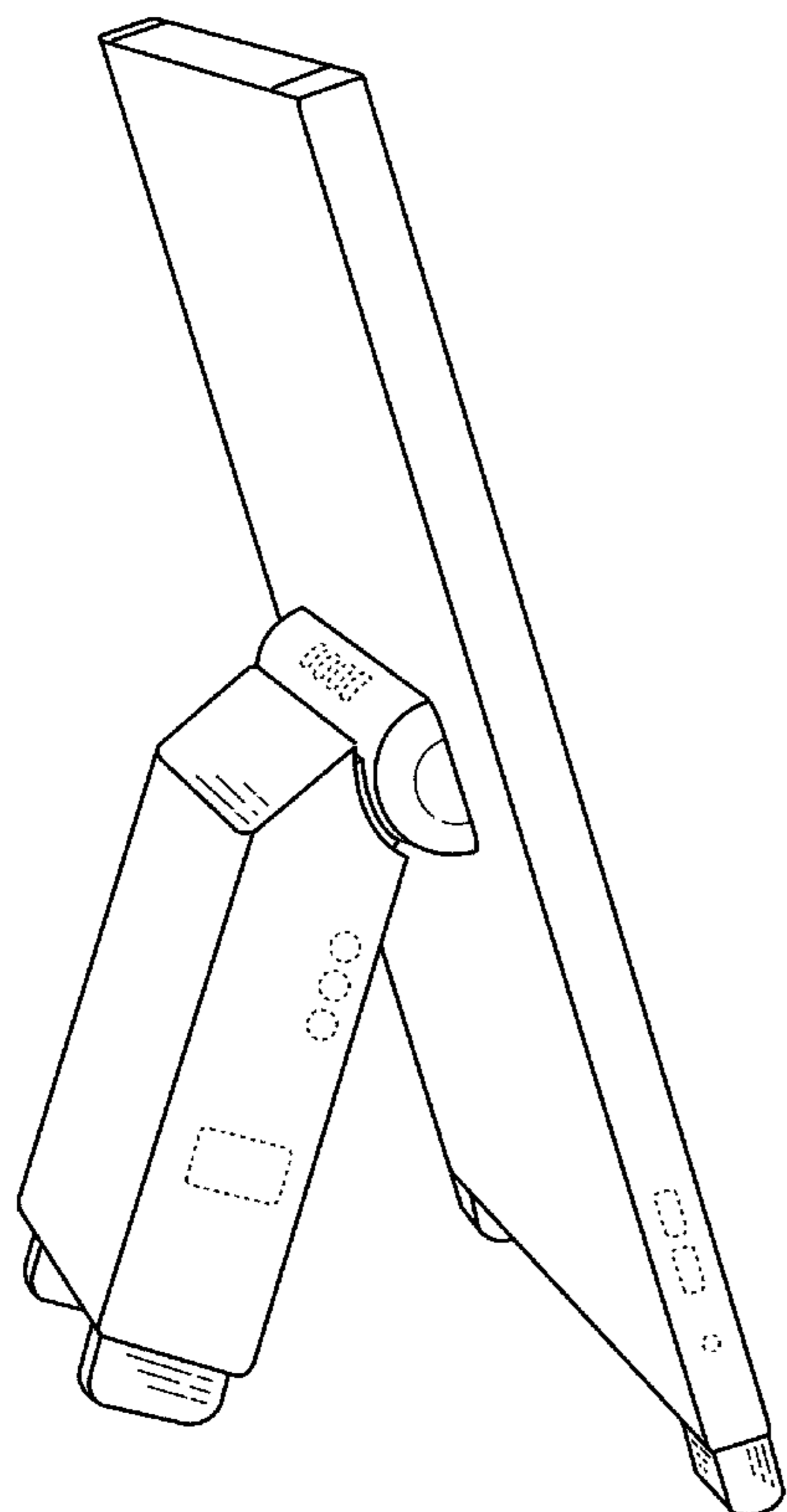
FIG. 4 is a right side view thereof;

FIG. 5 is a left side view thereof; and,

FIG. 6 is another rear, perspective view thereof while the computer is in an upright position.

The broken lines shown in the drawings are for the purpose of illustrating unclaimed portions of the computer and form no part of the claimed design.

1 Claim, 6 Drawing Sheets



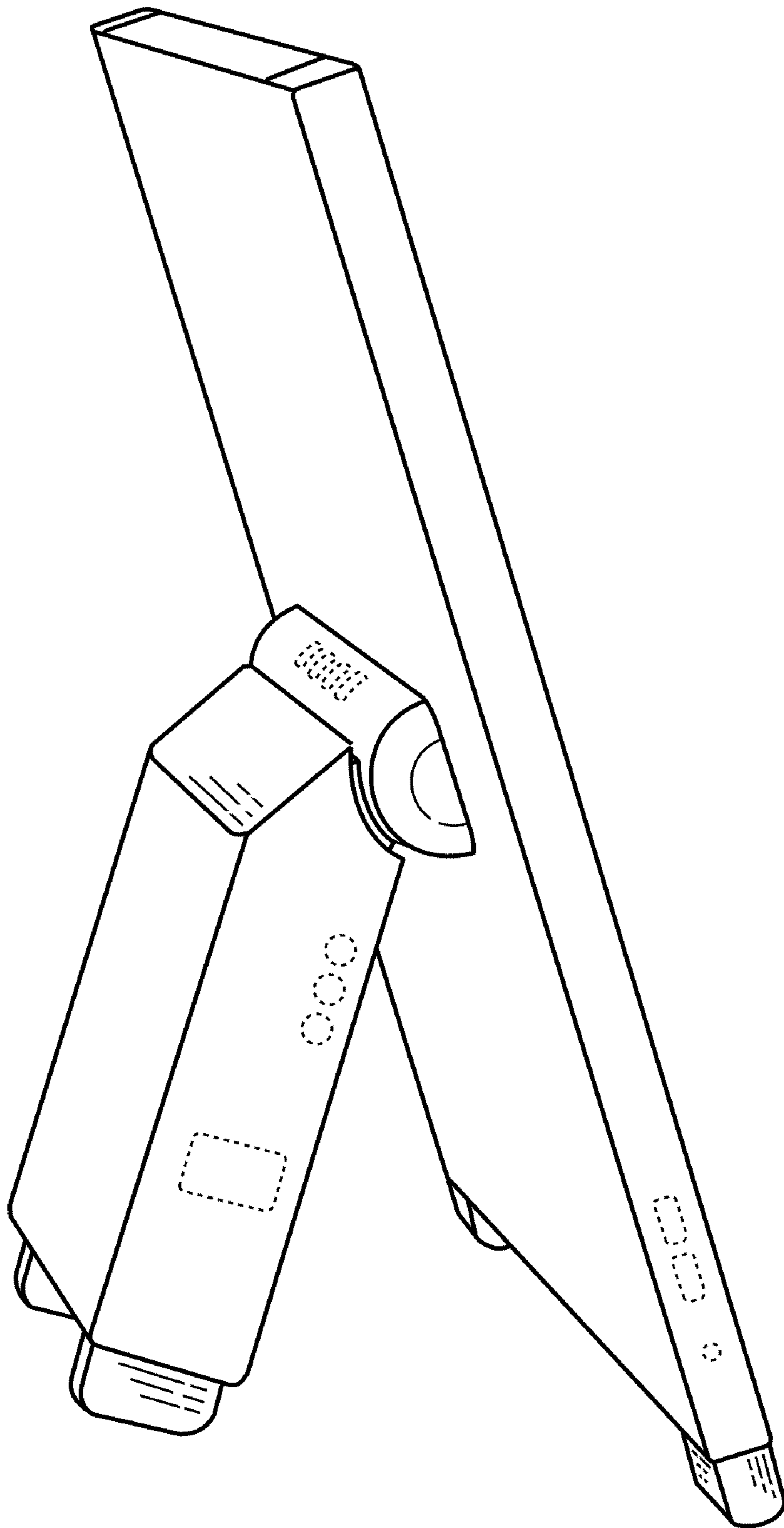


Figure 1

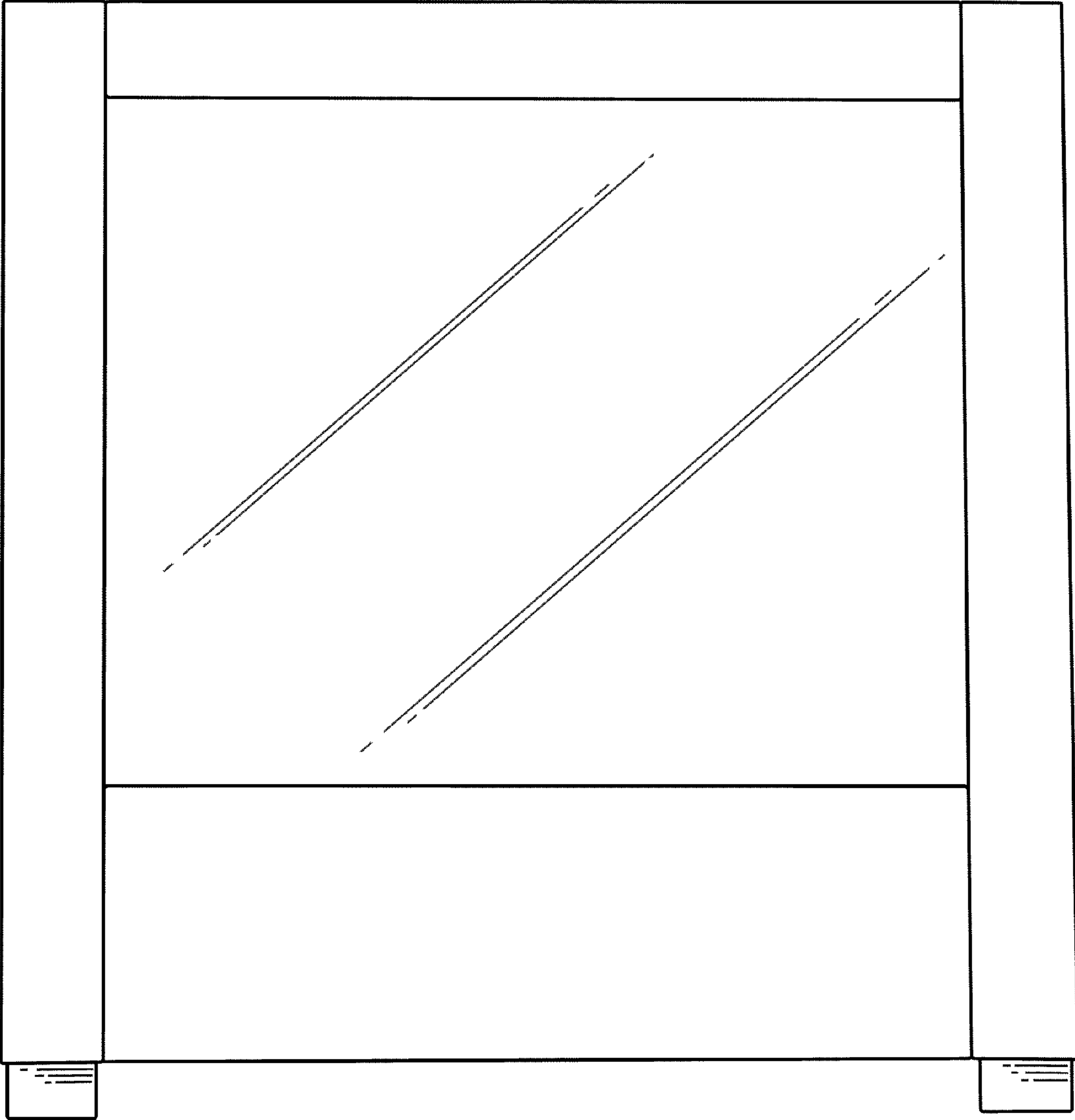


Figure 2

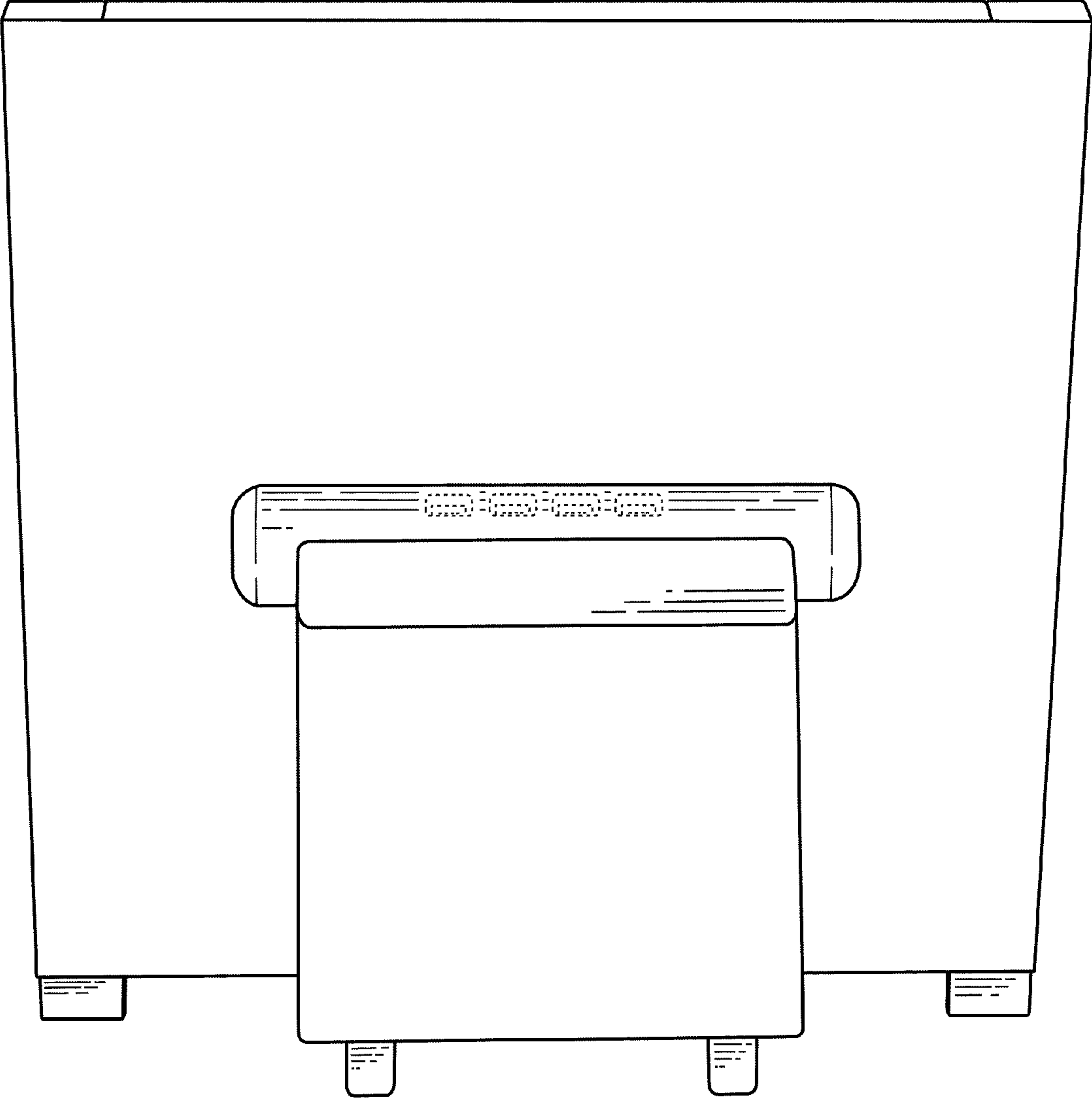


Figure 3

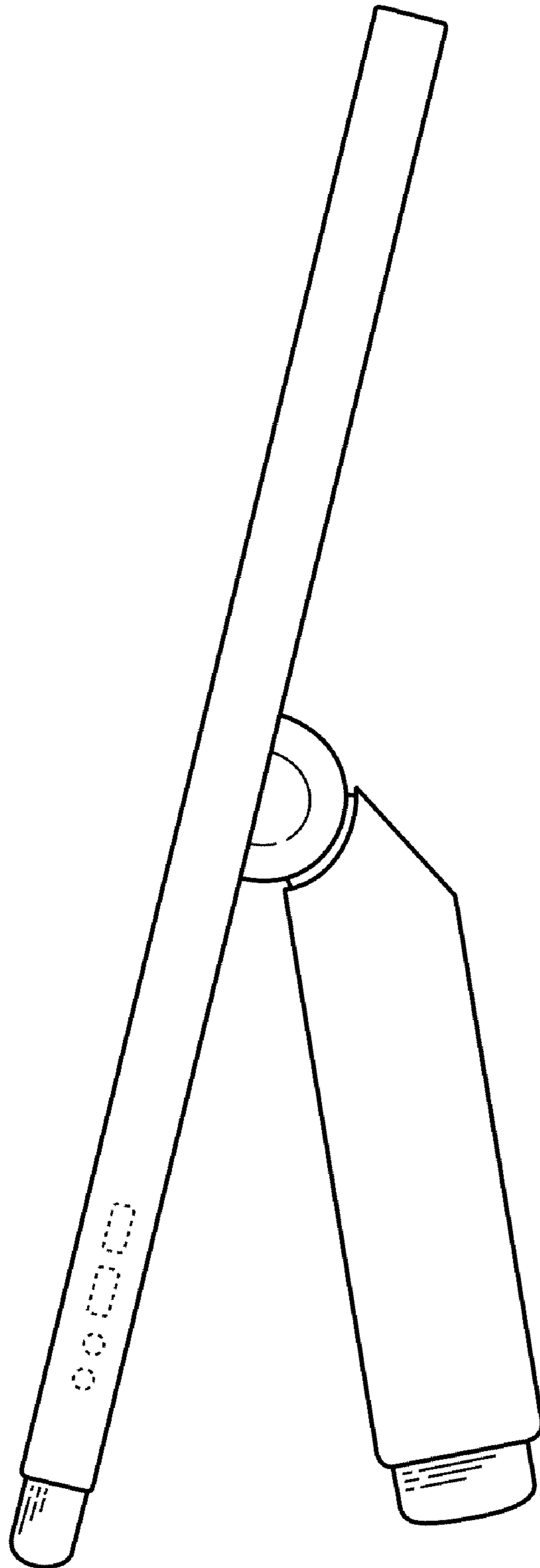


Figure 4

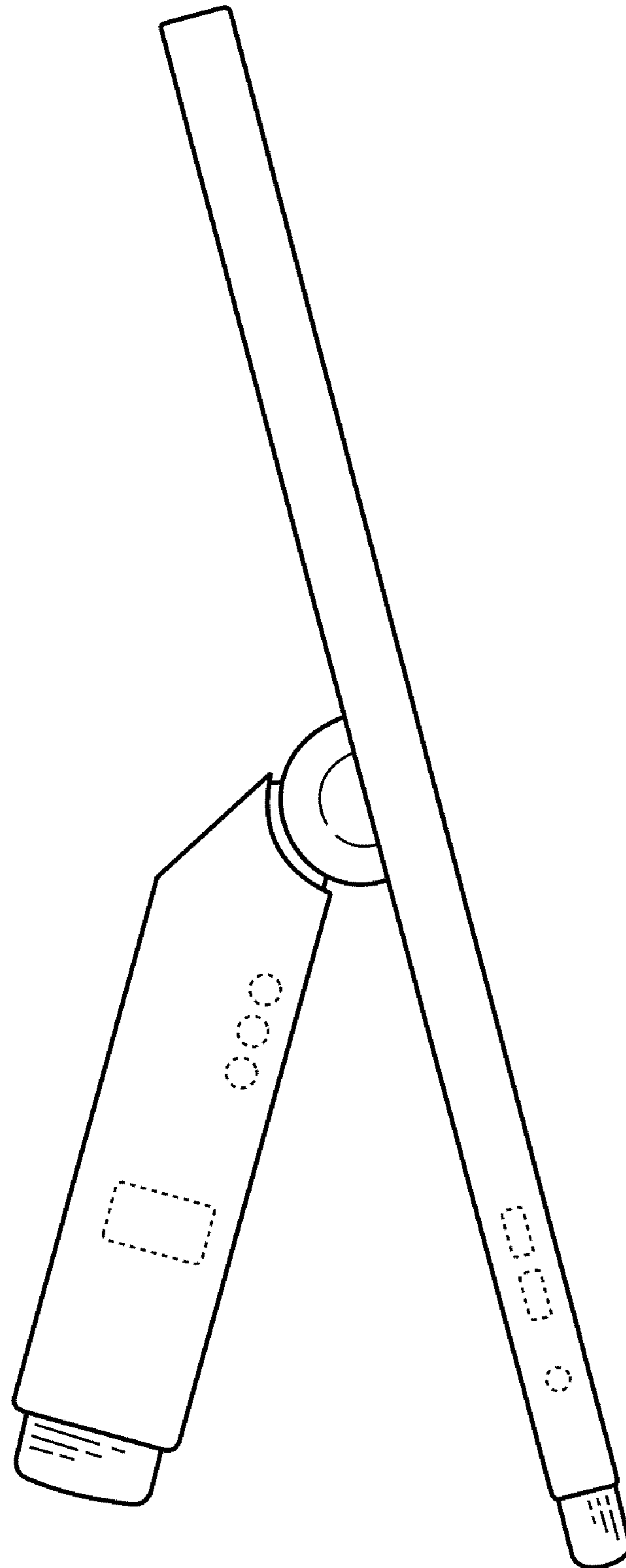


Figure 5

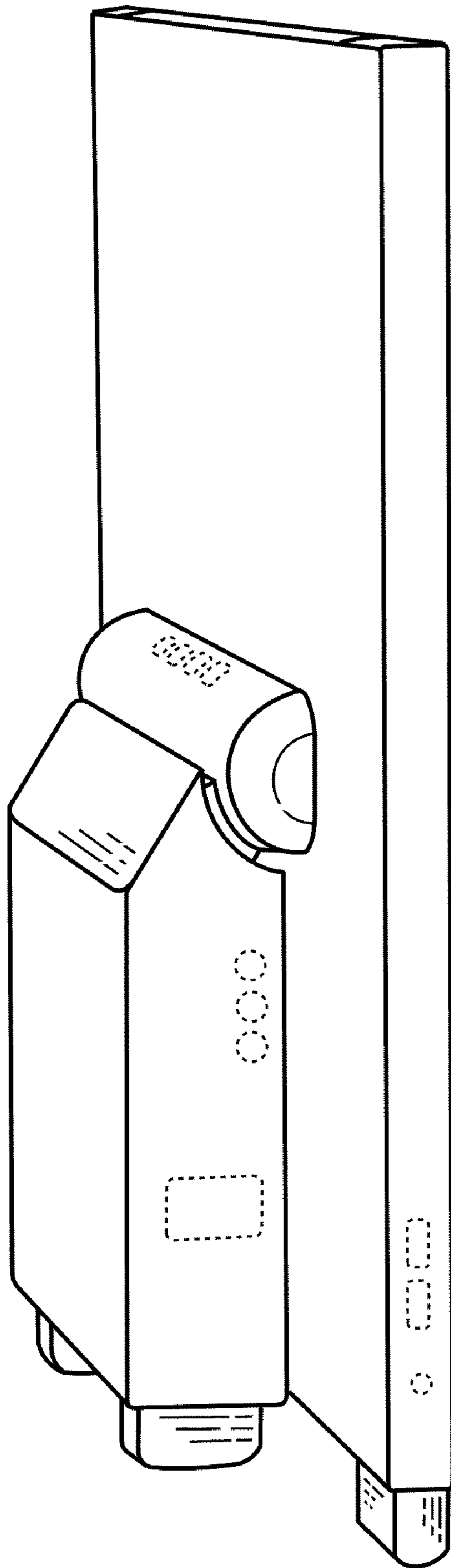


Figure 6