



US00D653660S

(12) **United States Design Patent**
Sweet

(10) **Patent No.:** **US D653,660 S**
(45) **Date of Patent:** **** Feb. 7, 2012**

- (54) **CASE FOR AN ELECTRONIC DEVICE**
- (75) Inventor: **Kenneth Sweet**, San Francisco, CA (US)
- (73) Assignee: **Barnes & Noble, Inc.**, New York, NY (US)
- (**) Term: **14 Years**
- (21) Appl. No.: **29/402,889**
- (22) Filed: **Sep. 28, 2011**

D620,487 S	7/2010	Richardson et al.	
D636,387 S	4/2011	Willes et al.	
D637,588 S	5/2011	Richardson et al.	
D637,591 S	5/2011	Willes et al.	
D641,013 S	7/2011	Richardson et al.	
8,028,794 B1 *	10/2011	Freeman	181/202
D649,537 *	11/2011	Magness et al.	D14/250

* cited by examiner

Primary Examiner — Susan Bennett Hattan
Assistant Examiner — Barbara B Lohr
(74) *Attorney, Agent, or Firm* — Dickstein Shapiro LLP

Related U.S. Application Data

- (62) Division of application No. 29/345,603, filed on Oct. 19, 2009, now Pat. No. Des. 649,142.
 - (51) **LOC (9) Cl.** **14-03**
 - (52) **U.S. Cl.** **D14/250**
 - (58) **Field of Classification Search** D14/138, D14/138 AA, 156, 250, 253, 440, 496; D3/201, D3/215, 218, 226, 269, 272, 273; 206/305, 206/320; 455/42, 90, 92, 575.8; D21/333; D8/25
- See application file for complete search history.

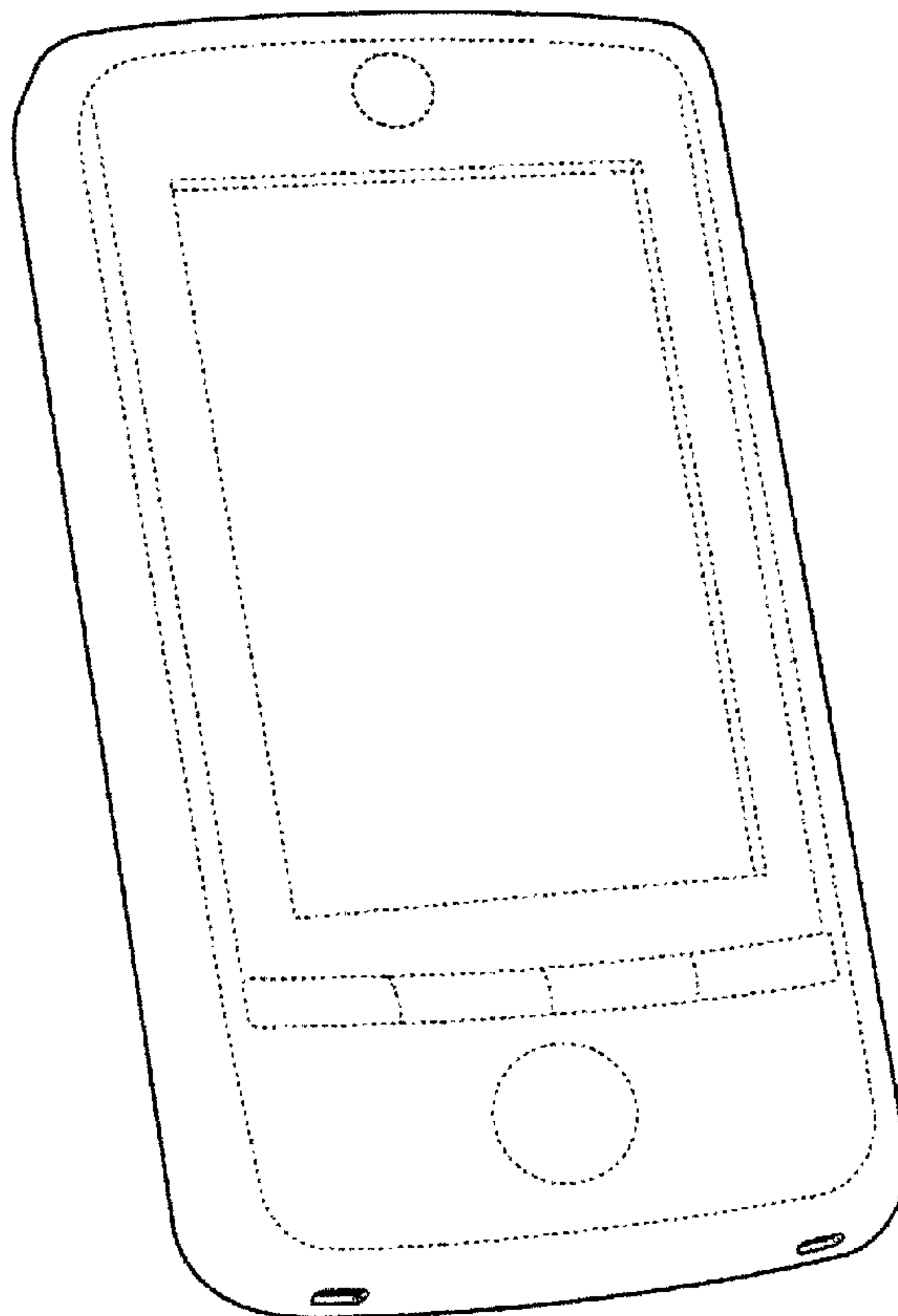
(57) **CLAIM**
The ornamental design for a case for an electronic device, as shown and described.

DESCRIPTION

FIG. 1 is a perspective view of the front of a case for an electronic device showing our new design;
FIG. 2 is a front view of a case for an electronic device showing our new design;
FIG. 3 is a back view of a case for an electronic device showing our new design;
FIG. 4 is a side view of a case for an electronic device showing our new design; and,
FIG. 5 is a top view of a case for an electronic device showing our new design.
The broken lines in the drawing depict environmental subject matter only and form no part of the claimed design.

- (56) **References Cited**
- U.S. PATENT DOCUMENTS
- | | | |
|------------|--------|-------------------|
| D613,282 S | 4/2010 | Richardson et al. |
| D615,967 S | 5/2010 | Richardson et al. |

1 Claim, 5 Drawing Sheets



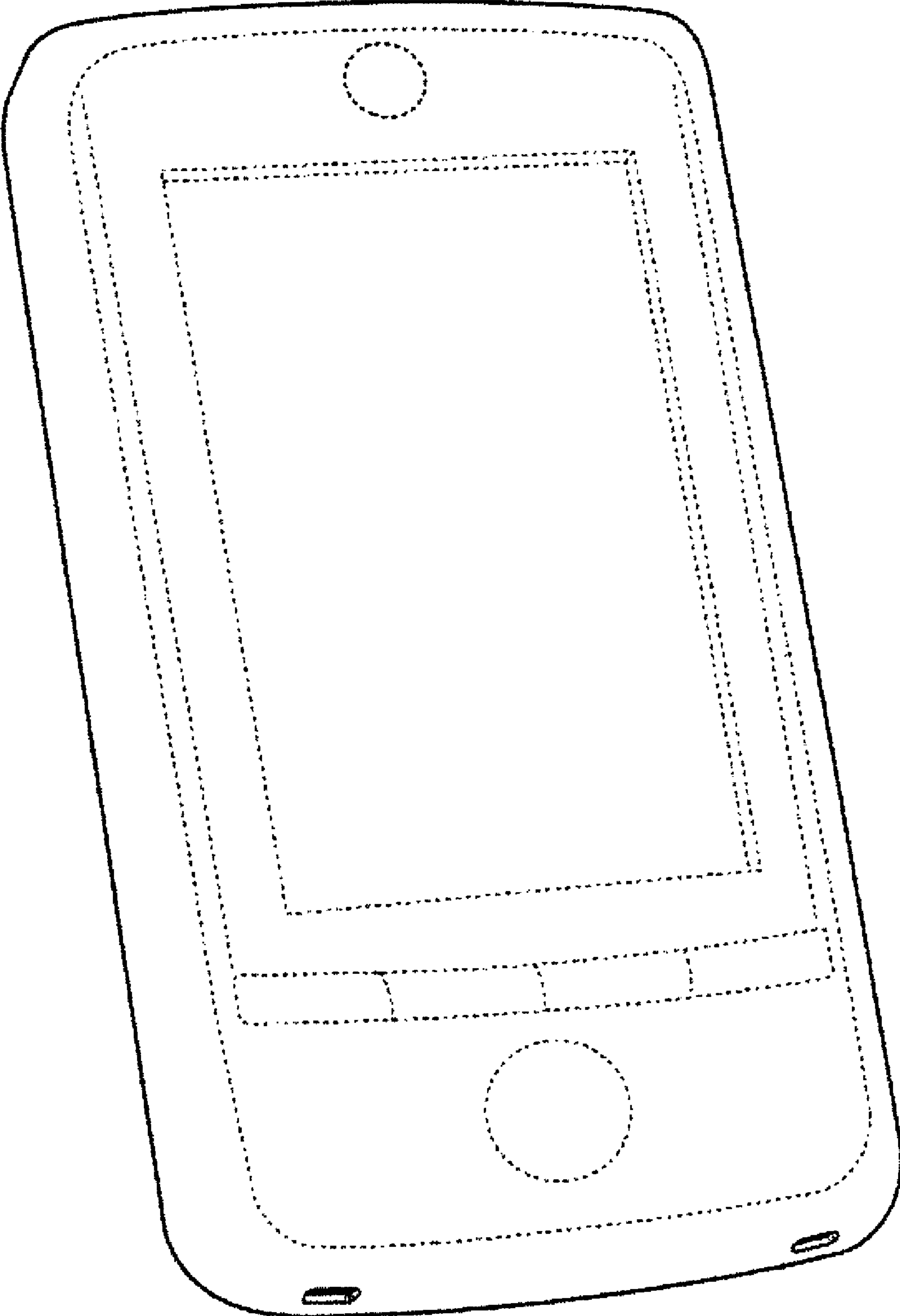


FIG. 1

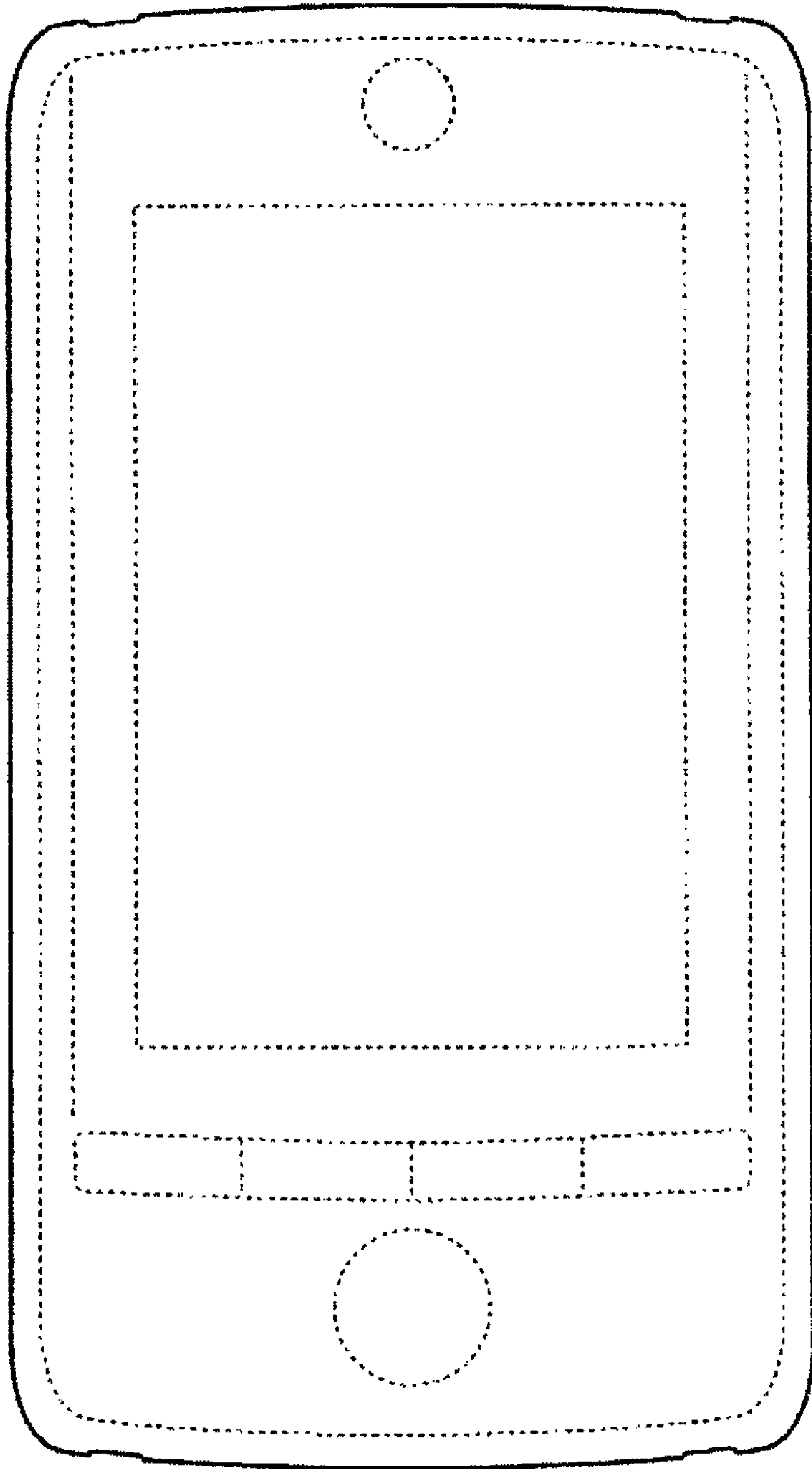


FIG. 2

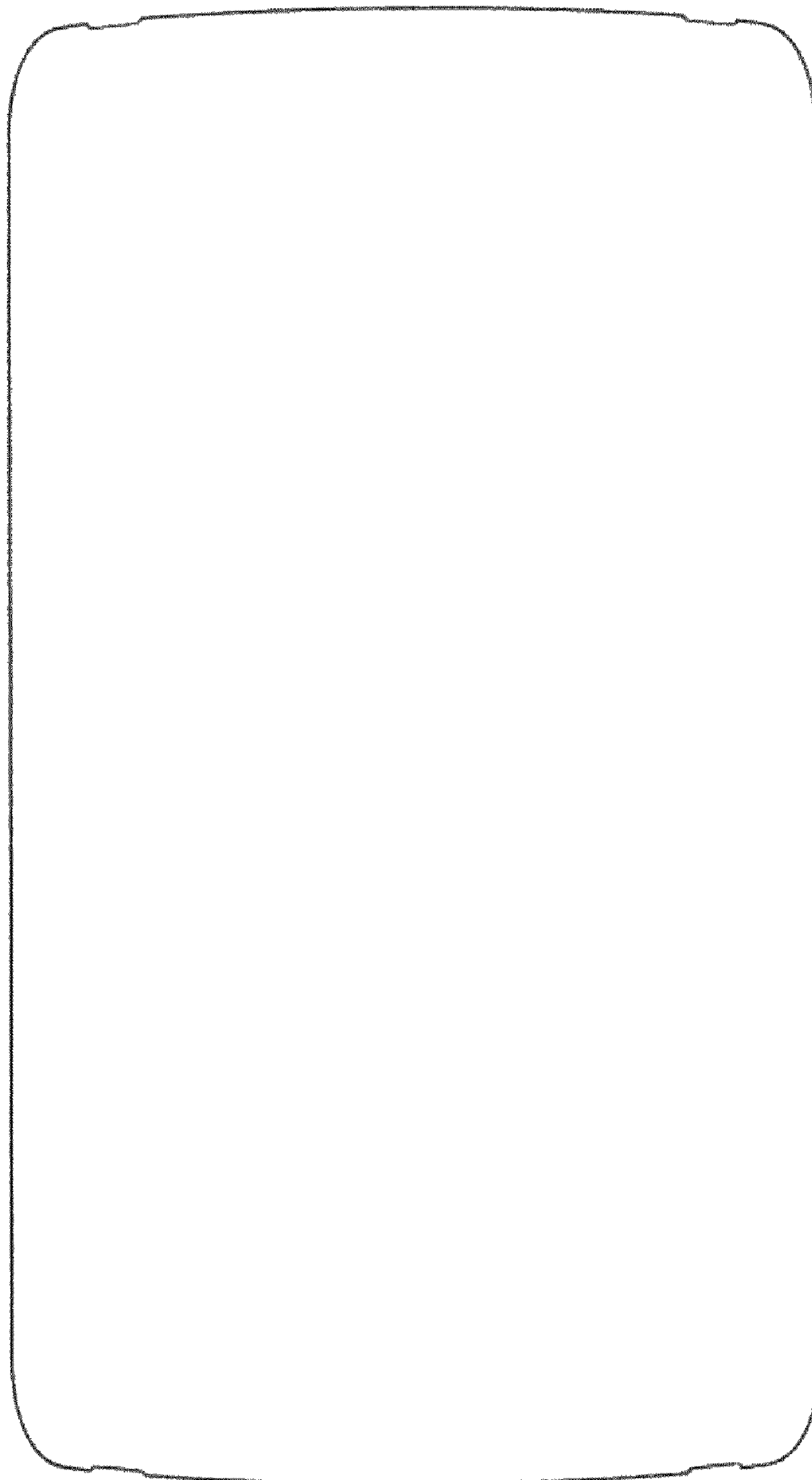


FIG. 3

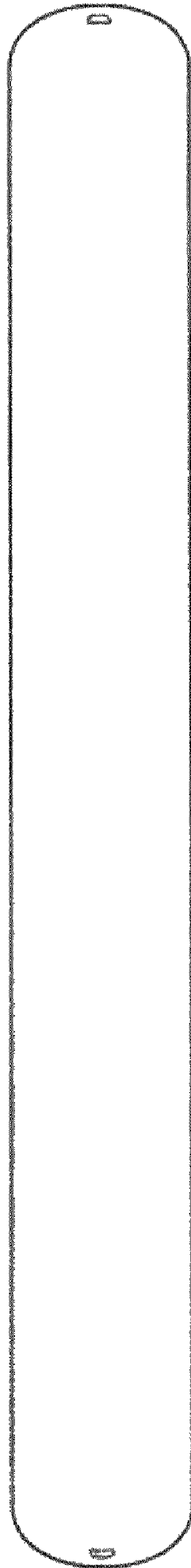


FIG. 4

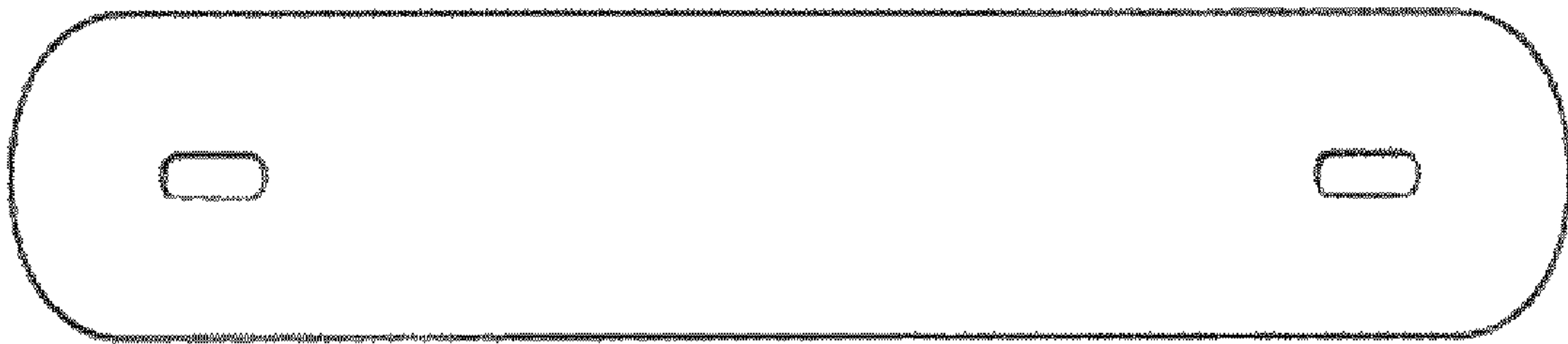


FIG. 5