



US00D653657S

(12) **United States Design Patent**
Fahrendorff et al.

(10) **Patent No.:** **US D653,657 S**

(45) **Date of Patent:** **** Feb. 7, 2012**

(54) **HANDHELD ELECTRONIC DEVICE SHELL**

(75) Inventors: **Anders Fahrendorff**, Ottawa (CA);
Andrew David Lowe, Unionville (CA);
Michael Xingyi Yu, Waterloo (CA)

(73) Assignee: **Research In Motion Limited**, Waterloo,
Ontario (CA)

(**) Term: **14 Years**

(21) Appl. No.: **29/376,963**

(22) Filed: **Oct. 14, 2010**

(51) **LOC (9) Cl.** **14-03**

(52) **U.S. Cl.** **D14/250**

(58) **Field of Classification Search** D14/250–253,
D14/440, 203.3–203.7, 217, 496, 248; D3/201,
D3/218, 269, 301, 273, 303; D13/103, 107–108;
220/4.02; 248/309.1; 361/679.56; 379/426,
379/433.11, 455; 455/575.1, 575.8; 190/100;
206/305, 320

See application file for complete search history.

(56) **References Cited**

U.S. PATENT DOCUMENTS

D389,118	S	*	1/1998	Nuovo et al.	D13/103
D535,252	S	*	1/2007	Sandnes	D13/108
D543,541	S	*	5/2007	Chung et al.	D3/269
D551,653	S	*	9/2007	Nohara	D14/167
D565,290	S	*	4/2008	Brandenburg et al.	D3/218
D587,695	S	*	3/2009	Leng et al.	D14/240
D593,750	S	*	6/2009	Song	D3/269
D603,603	S	*	11/2009	Laine et al.	D3/218
D606,528	S	*	12/2009	Khan et al.	D14/250
D609,226	S	*	2/2010	Hofer et al.	D14/248
D609,464	S	*	2/2010	Bullen	D3/218
D610,135	S	*	2/2010	Hofer et al.	D14/248
D614,179	S	*	4/2010	Behar et al.	D14/248
D618,231	S	*	6/2010	Fahrendorff et al.	D14/250
D619,361	S	*	7/2010	Andre et al.	D3/269
D619,573	S	*	7/2010	Khan et al.	D14/250
D620,931	S	*	8/2010	Opman	D14/250

D625,303	S	*	10/2010	Kim	D14/250
D628,568	S	*	12/2010	Richardson et al.	D14/250
D631,877	S	*	2/2011	Rak et al.	D14/250
D632,684	S	*	2/2011	Richardson et al.	D14/250
D635,555	S	*	4/2011	Giles	D14/217
D638,410	S	*	5/2011	Khan et al.	D14/250
D640,974	S	*	7/2011	Kendall et al.	D13/103
D641,012	S	*	7/2011	Fahrendorff et al.	D14/250
2010/0104814	A1	*	4/2010	Richardson et al.	428/156

OTHER PUBLICATIONS

Clip on Back Cover Purple—BlackBerry Curve 8900 Purple, review dated Mar. 21, 2010, <URL:http://www.mobilephonereviews.org/mobile-phone-accessories/clip-on-back-cover-purple-blackberry-curve-8900-purple/>, retrieved from internet Sep. 23, 2011.*
Alpha Shell (Pink) Blackberry Torch 9800 Case, <URL:http://lux-case.com/alpha-shell-pink-blackberry-torch-9800-case.html>, retrieved from internet Sep. 24, 2011.*

* cited by examiner

Primary Examiner — Robert M Spear

Assistant Examiner — Carla Wright

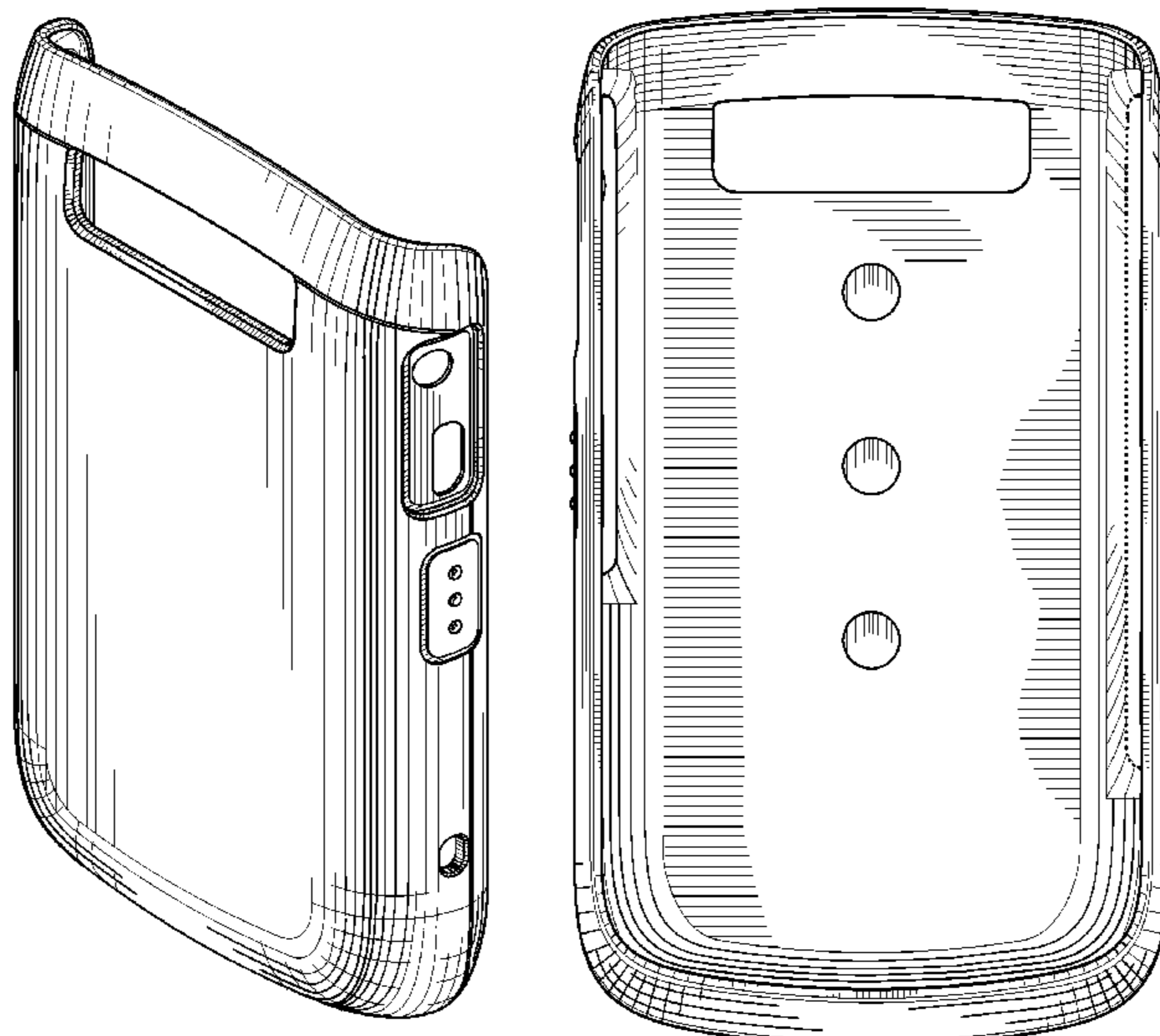
(57) **CLAIM**

We claim the ornamental design for a handheld electronic device shell, as shown and described.

DESCRIPTION

FIG. 1 is a front perspective view of a handheld electronic device shell;
FIG. 2 is a back perspective view of the handheld electronic device shell;
FIG. 3 is a front elevational view thereof;
FIG. 4 is a back elevational view thereof;
FIG. 5 is a right elevational view thereof;
FIG. 6 is a left elevational view thereof;
FIG. 7 is a top plan view thereof; and,
FIG. 8 is a bottom plan view thereof.
The broken lines in FIGS. 3 and 5 depict unclaimed features of the handheld electronic device shell.

1 Claim, 6 Drawing Sheets



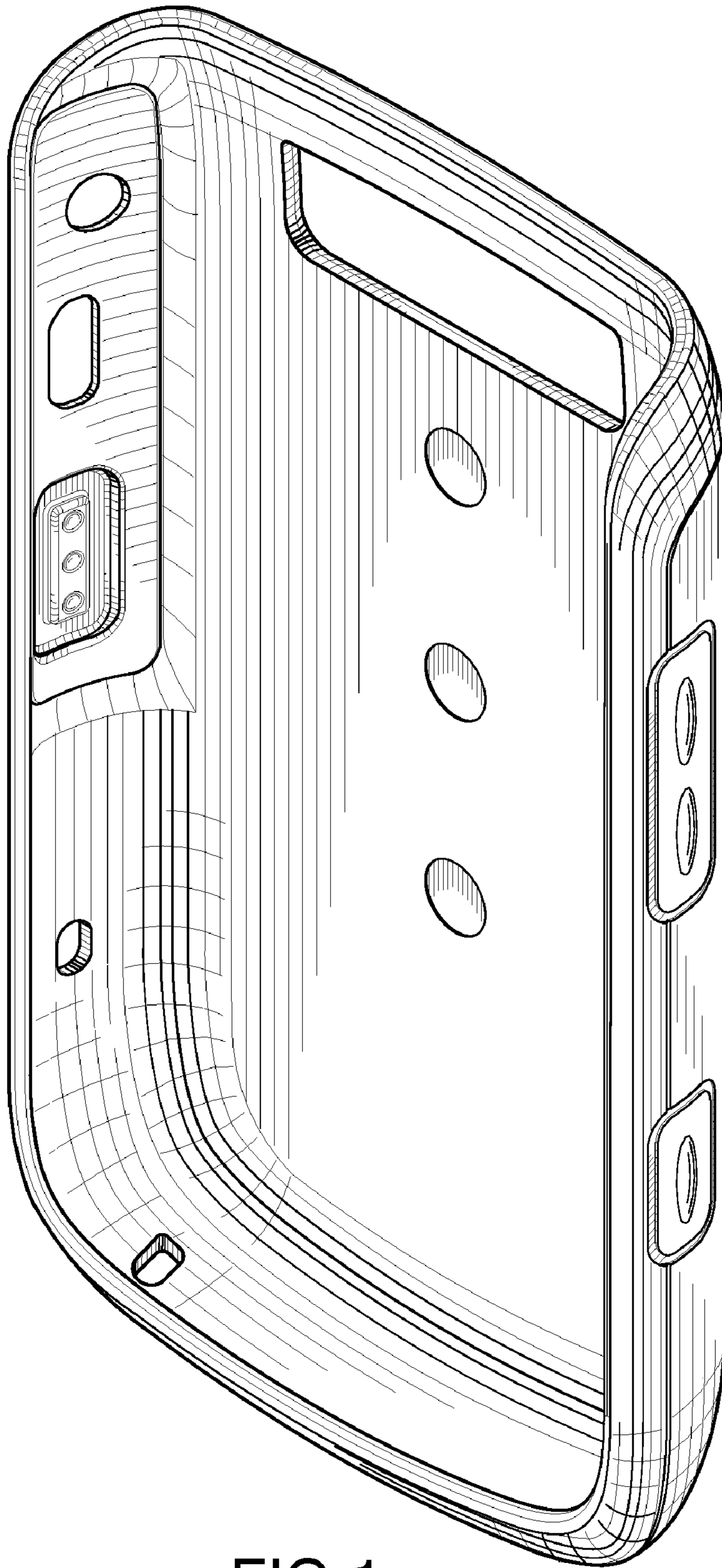


FIG. 1

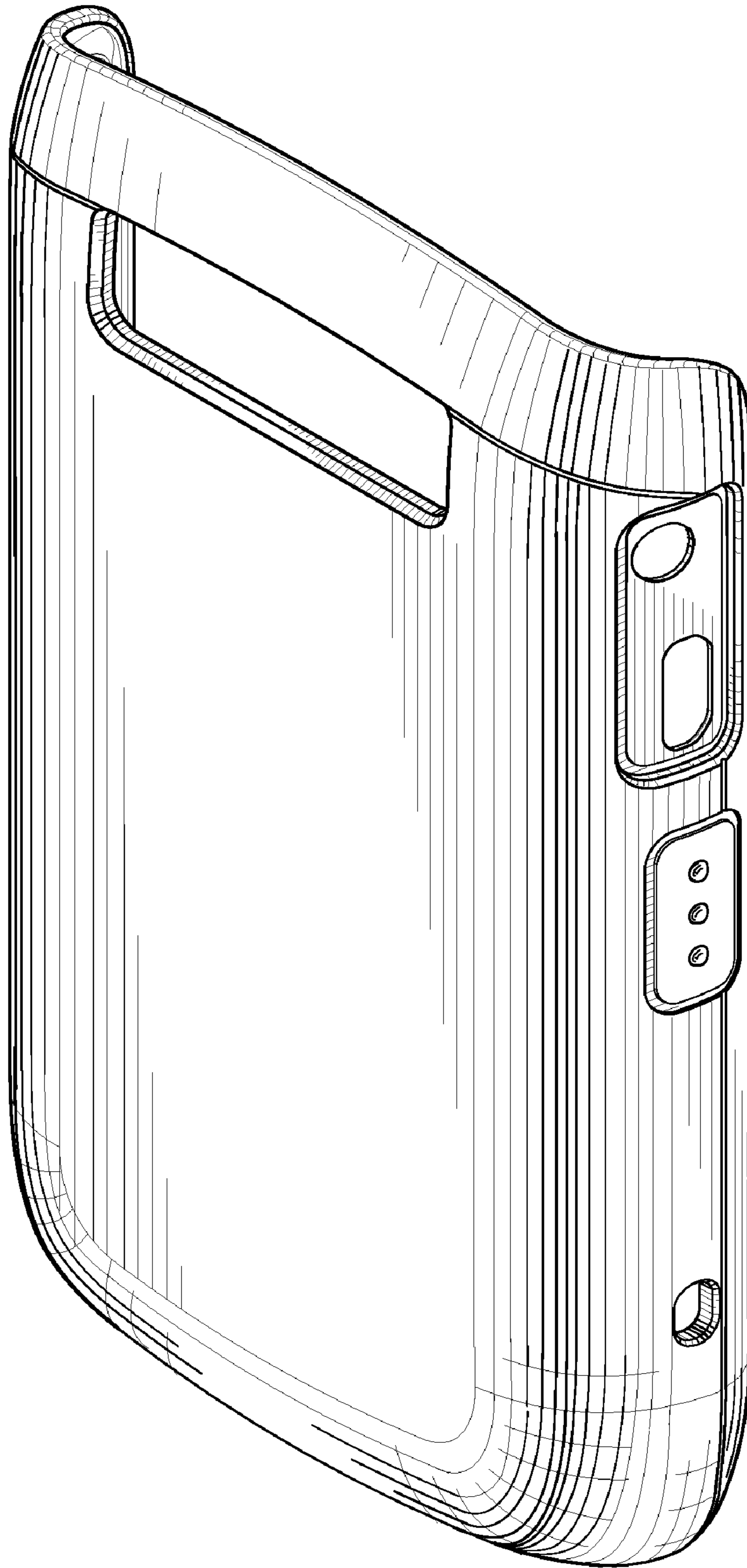


FIG.2

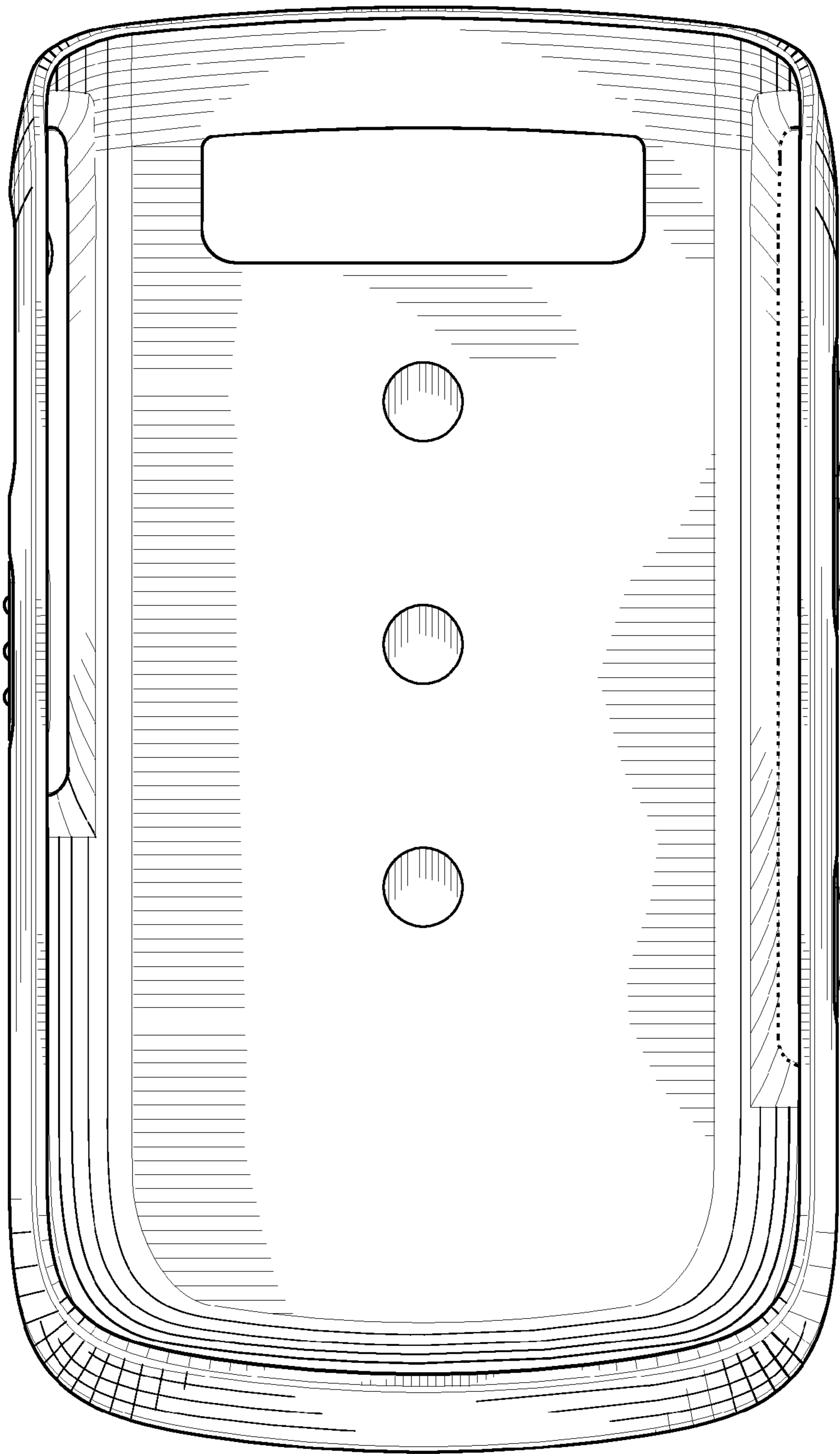


FIG.3

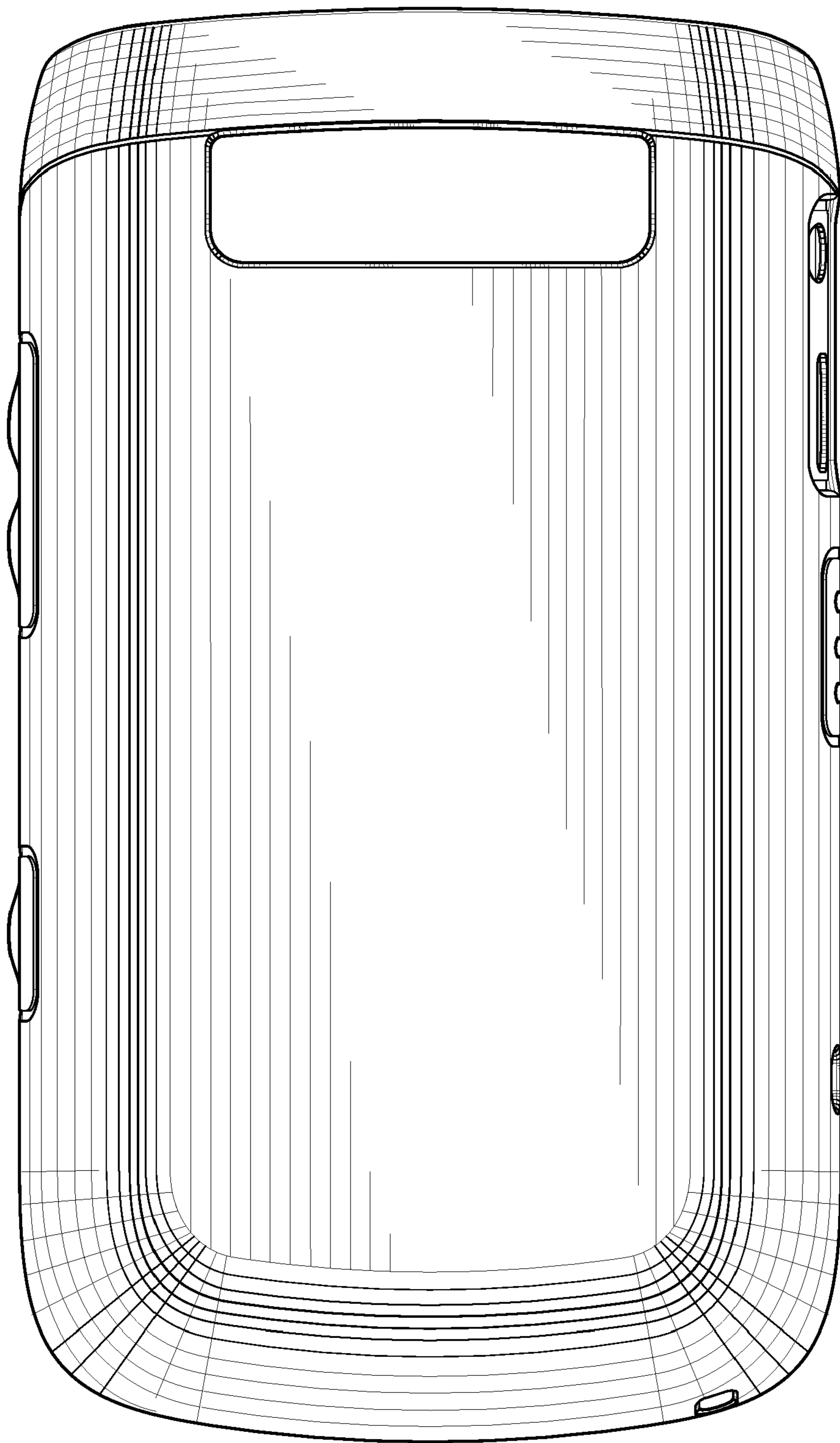


FIG.4

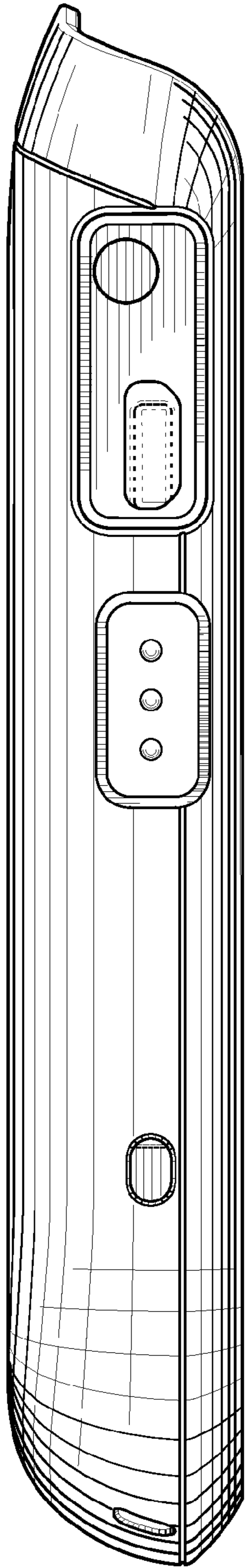


FIG. 5

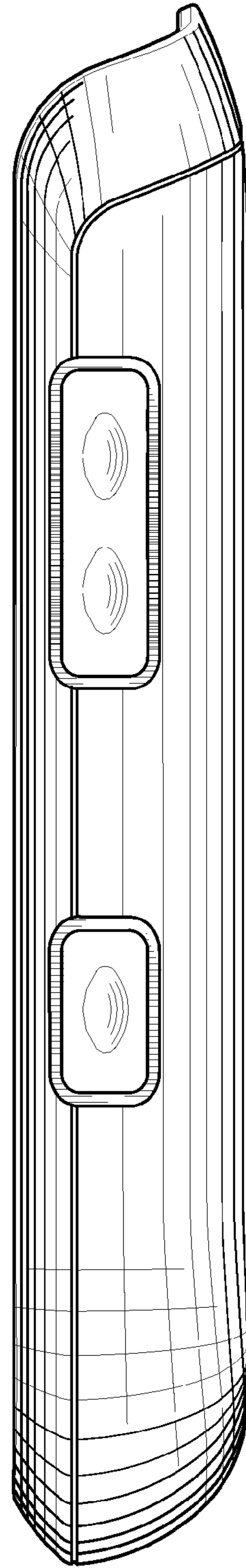


FIG. 6

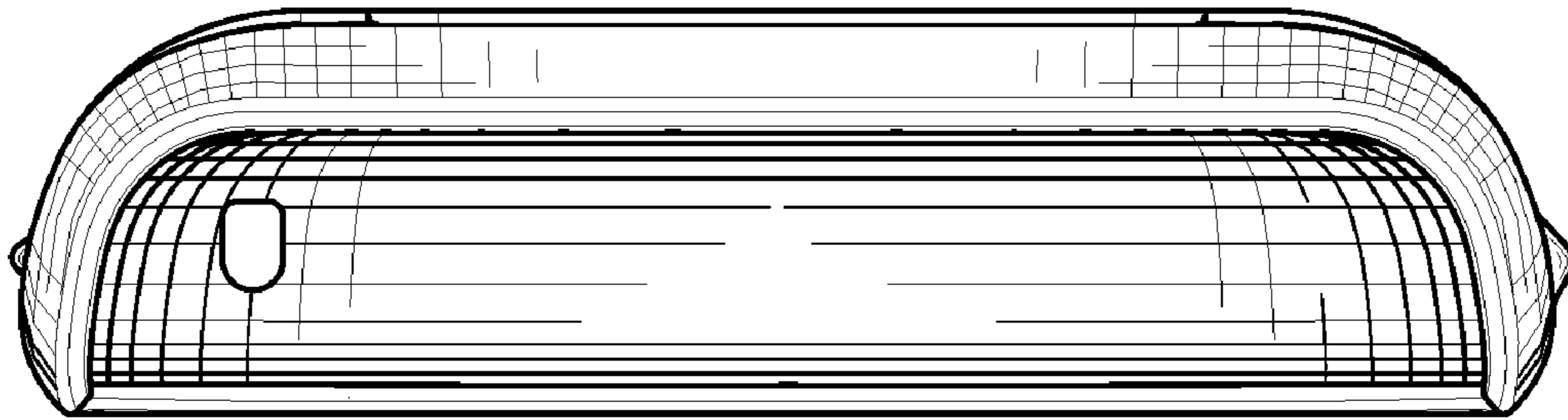


FIG. 7

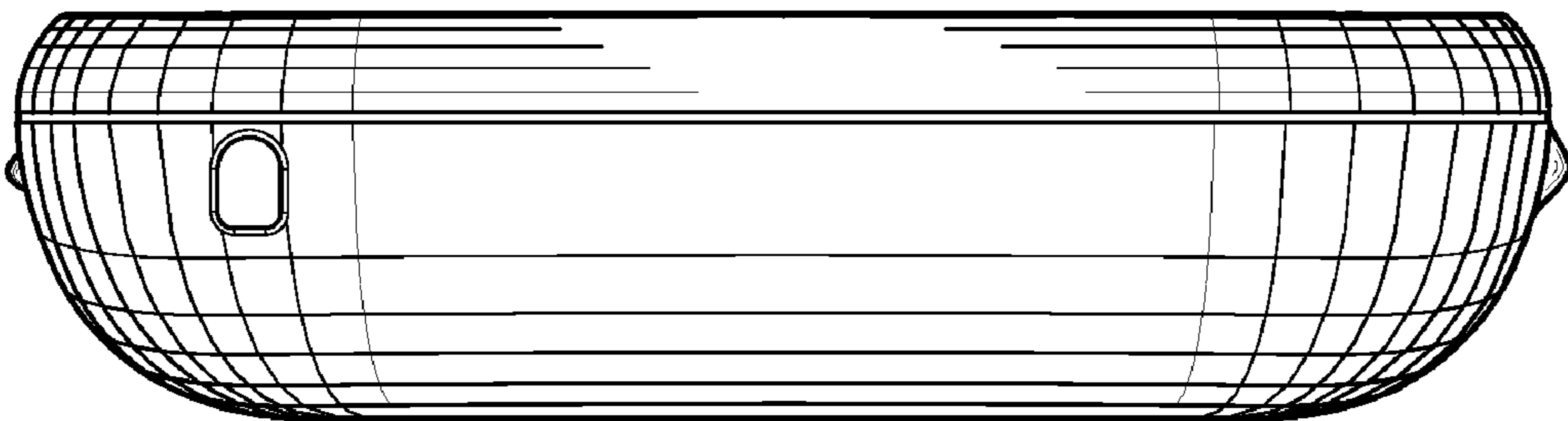


FIG. 8