



US00D653653S

(12) **United States Design Patent**
Fang

(10) **Patent No.:** **US D653,653 S**

(45) **Date of Patent:** **** Feb. 7, 2012**

(54) **REMOTE CONTROL**

(75) Inventor: **Jijun Fang**, Shenzhen (CN)

(73) Assignee: **Shenzhen Geniatech Inc. Ltd.**,
Shenzhen (CN)

(**) Term: **14 Years**

(21) Appl. No.: **29/398,900**

(22) Filed: **Aug. 5, 2011**

(30) **Foreign Application Priority Data**

Jun. 2, 2011 (CN) 2011 3 0155496

(51) **LOC (9) Cl.** **14-03**

(52) **U.S. Cl.** **D14/218**

(58) **Field of Classification Search** D14/218,
D14/455; D13/168; D21/566; D10/104,
D10/106; 345/169; 348/14.05, 114, 211.99,
348/734; 340/825.24; 341/22; 455/92, 95,
455/128, 151.1-151.4, 352, 355, FOR. 121;
700/65

See application file for complete search history.

(56) **References Cited**

U.S. PATENT DOCUMENTS

| | | | | | | |
|-----------|----|---|---------|----------------|-------|------------|
| D350,962 | S | * | 9/1994 | Reardon et al. | | D14/218 |
| D352,288 | S | * | 11/1994 | Wilson | | D14/218 |
| D366,042 | S | * | 1/1996 | Laituri | | D14/218 |
| D458,920 | S | * | 6/2002 | Kita | | D14/218 |
| 6,421,234 | B1 | * | 7/2002 | Ricks et al. | | 361/679.56 |
| D520,987 | S | * | 5/2006 | Tyson | | D14/218 |
| D612,365 | S | * | 3/2010 | Lin | | D14/218 |
| D629,394 | S | * | 12/2010 | Brady et al. | | D14/218 |

* cited by examiner

Primary Examiner — Celia A. Murphy

Assistant Examiner — John Windmuller

(74) *Attorney, Agent, or Firm* — Hamre, Schumann, Mueller & Larson, P.C.

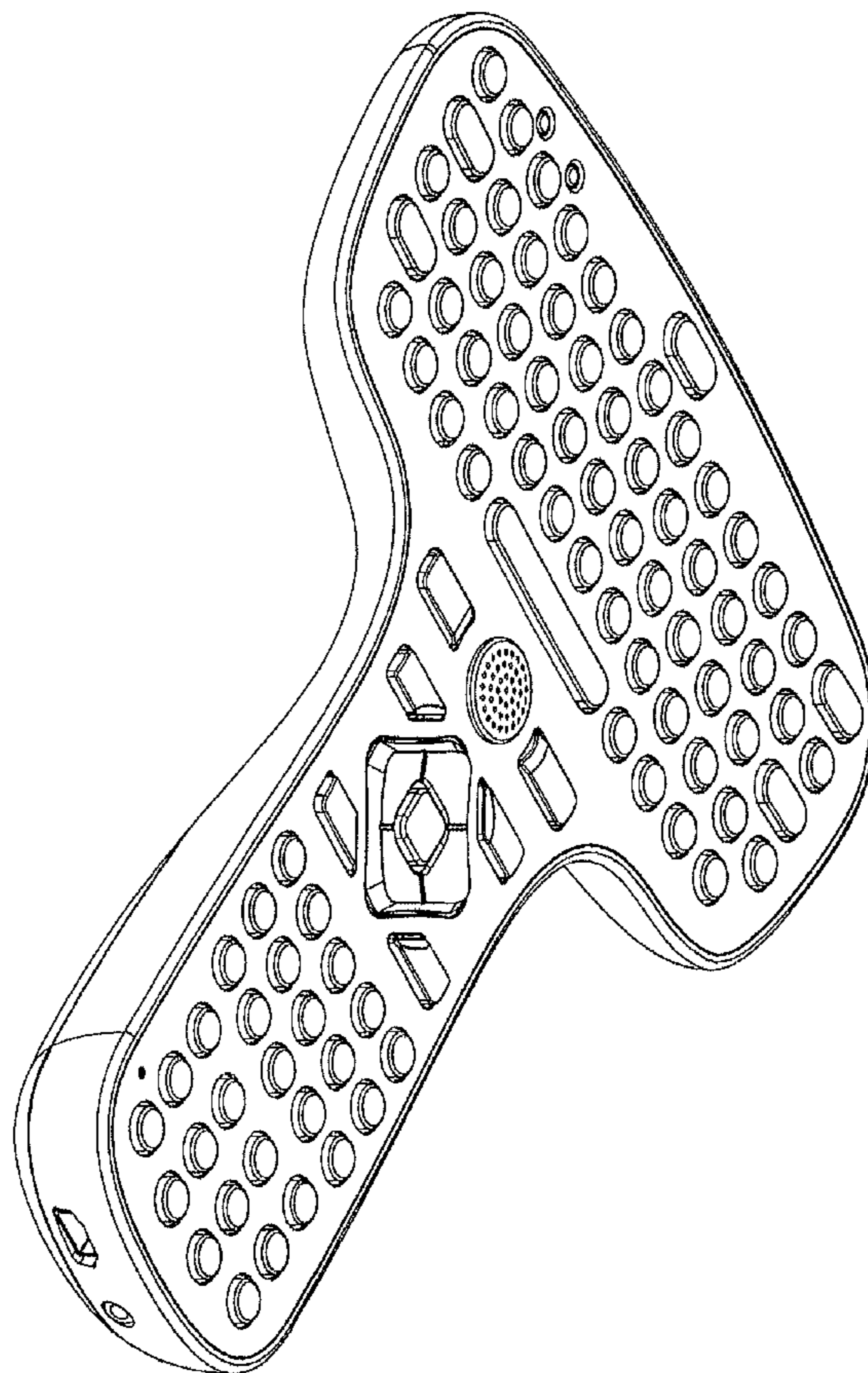
(57) **CLAIM**

The ornamental design for a “remote control,” as shown and described.

DESCRIPTION

FIG. 1 is a front perspective view of a remote control showing our new design;
FIG. 2 is a front elevational view thereof;
FIG. 3 is a rear elevational view thereof;
FIG. 4 is a left or right side elevational view thereof;
FIG. 5 is a top plan view thereof; and,
FIG. 6 is a bottom plan view thereof.

1 Claim, 6 Drawing Sheets



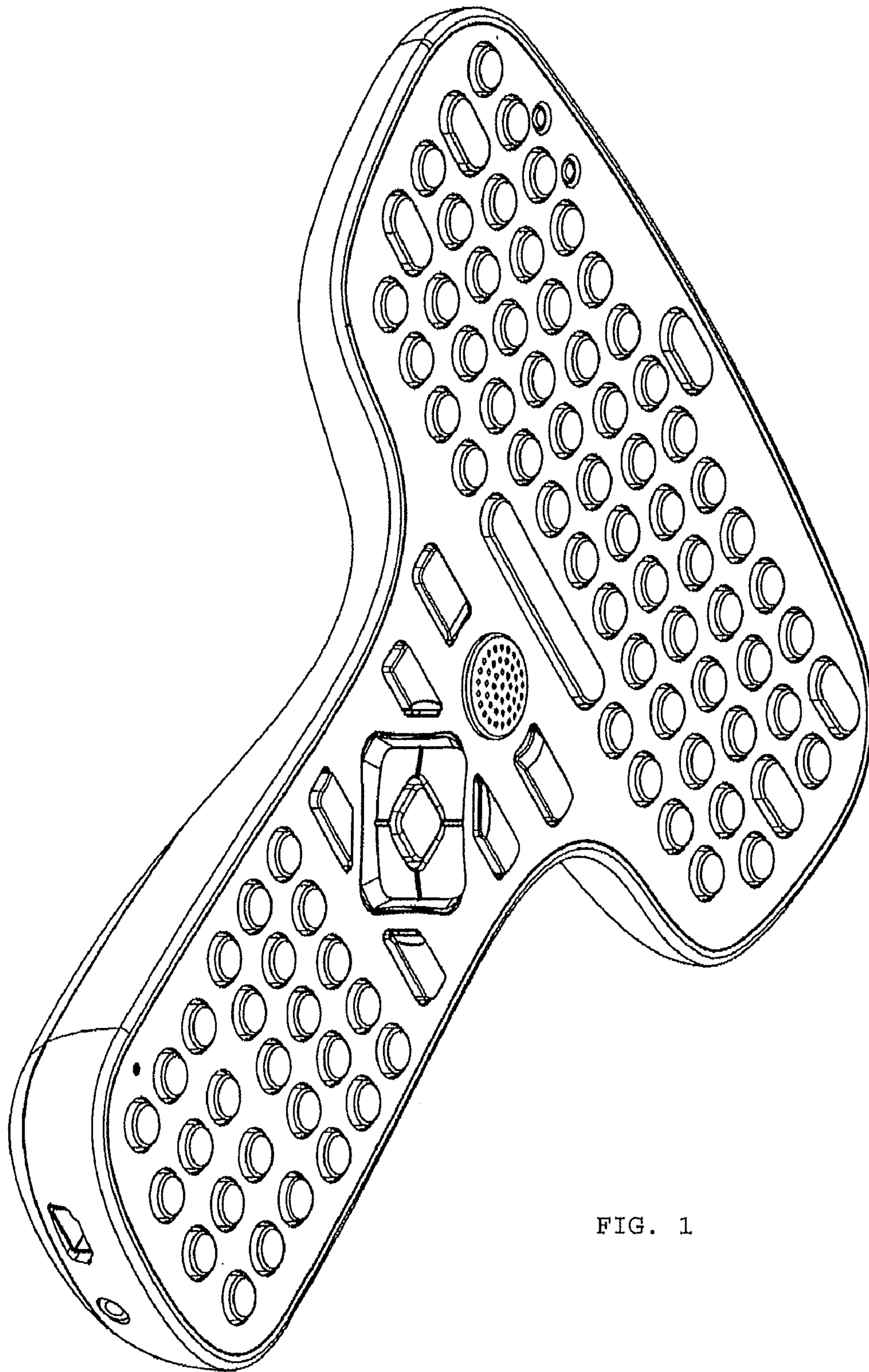


FIG. 1

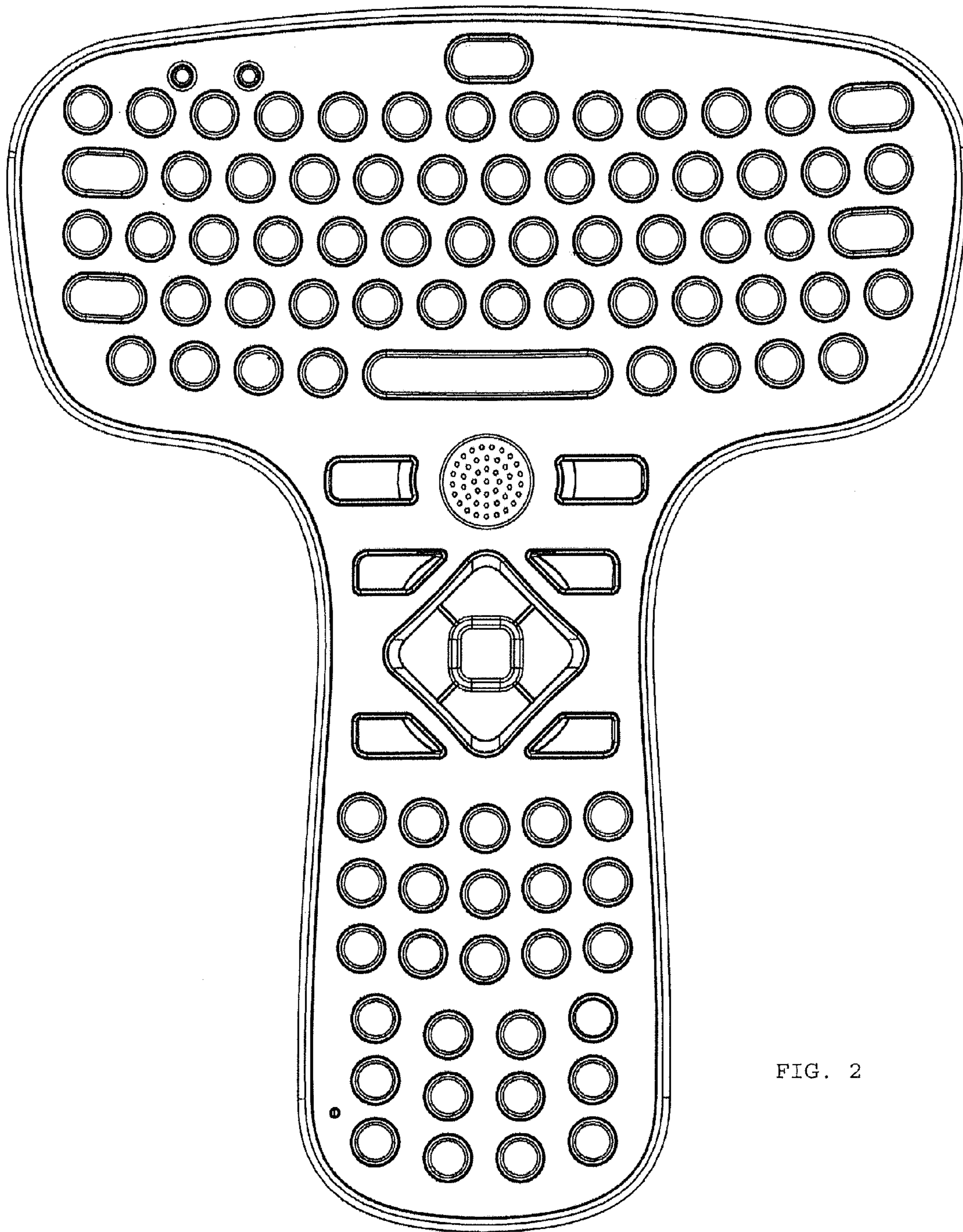


FIG. 2

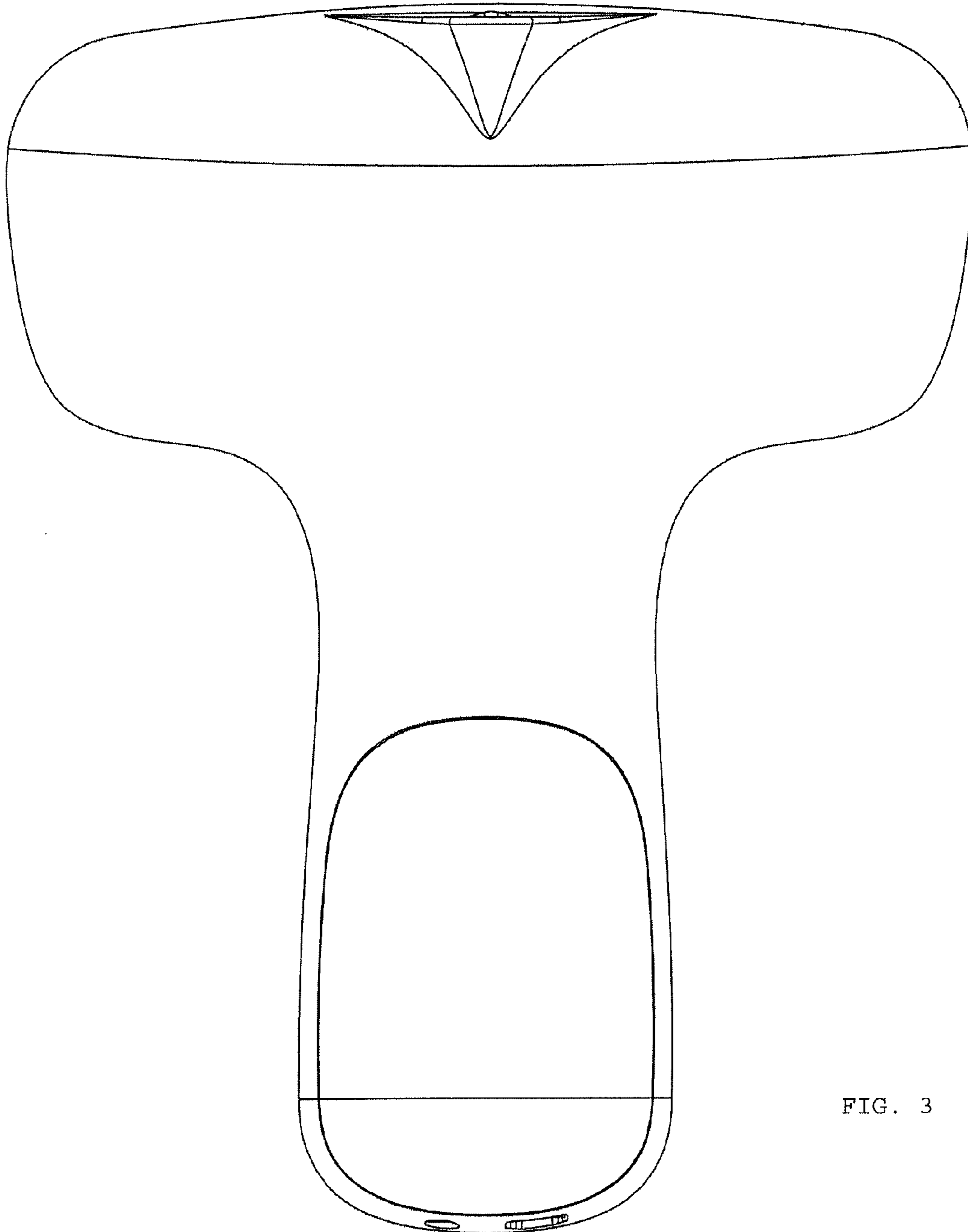


FIG. 3

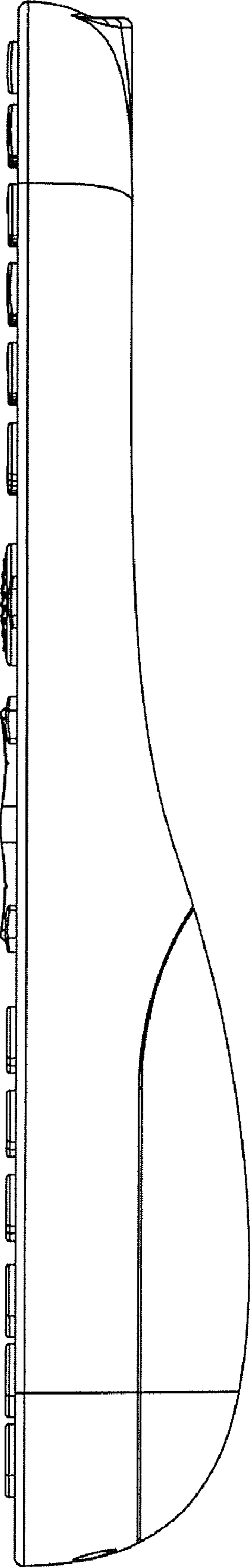


FIG. 4

FIG. 5

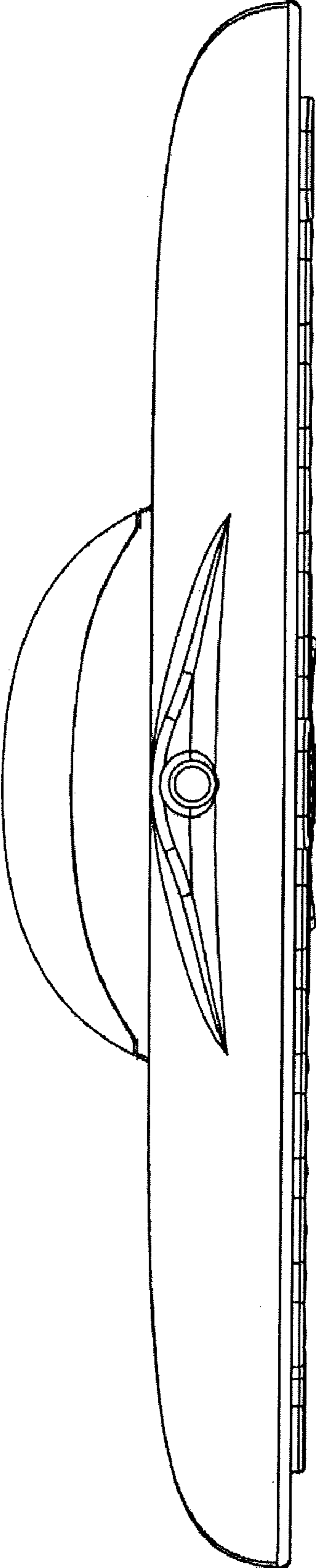


FIG. 6

