



US00D653650S

(12) **United States Design Patent**
Lee et al.

(10) **Patent No.:** **US D653,650 S**
(45) **Date of Patent:** **** Feb. 7, 2012**

(54) **SPEAKER FOR HOME THEATER**

(56) **References Cited**

(75) Inventors: **Jiyeon Lee**, Gyeonggi-do (KR); **Sunggu Joe**, Seoul (KR); **Sunghoon Oh**, Seoul (KR)

U.S. PATENT DOCUMENTS

D510,340 S * 10/2005 Brimhall et al. D14/215
D512,046 S * 11/2005 Christianson D14/211
D534,157 S * 12/2006 Yokoyama D14/211
D541,790 S * 5/2007 Yoon D14/215
D552,083 S * 10/2007 Reawsanguanwong D14/214

(73) Assignee: **LG Electronics, Inc.**, Seoul (KR)

* cited by examiner

(**) Term: **14 Years**

Primary Examiner — Nanda Bondade

(21) Appl. No.: **29/383,545**

(74) *Attorney, Agent, or Firm* — Morgan, Lewis & Bockius LLP

(22) Filed: **Jan. 19, 2011**

(57) **CLAIM**

The ornamental design for a speaker for home theater, as shown and described.

(30) **Foreign Application Priority Data**

DESCRIPTION

Jul. 20, 2010 (KR) 30-2010-0031857

FIG. 1 is a perspective view of a speaker for home theater showing our new design;
FIG. 2 is a front view thereof;
FIG. 3 is a rear view thereof;
FIG. 4 is a left side view thereof where the right side view is a mirror image;
FIG. 5 is a top plan view thereof; and,
FIG. 6 is a bottom plan view thereof.
The broken lines showing on the drawing disclosure are for illustrative purposes only and form no part of the claimed design.

(51) **LOC (9) Cl.** **14-01**

(52) **U.S. Cl.** **D14/211**

(58) **Field of Classification Search** D14/204,
D14/210–216, 172; 181/143–144, 147–148,
181/150–153, 157, 198–199; 381/300–303,
381/306, 332–333, 336, 345, 361–364, 386–388

See application file for complete search history.

1 Claim, 5 Drawing Sheets

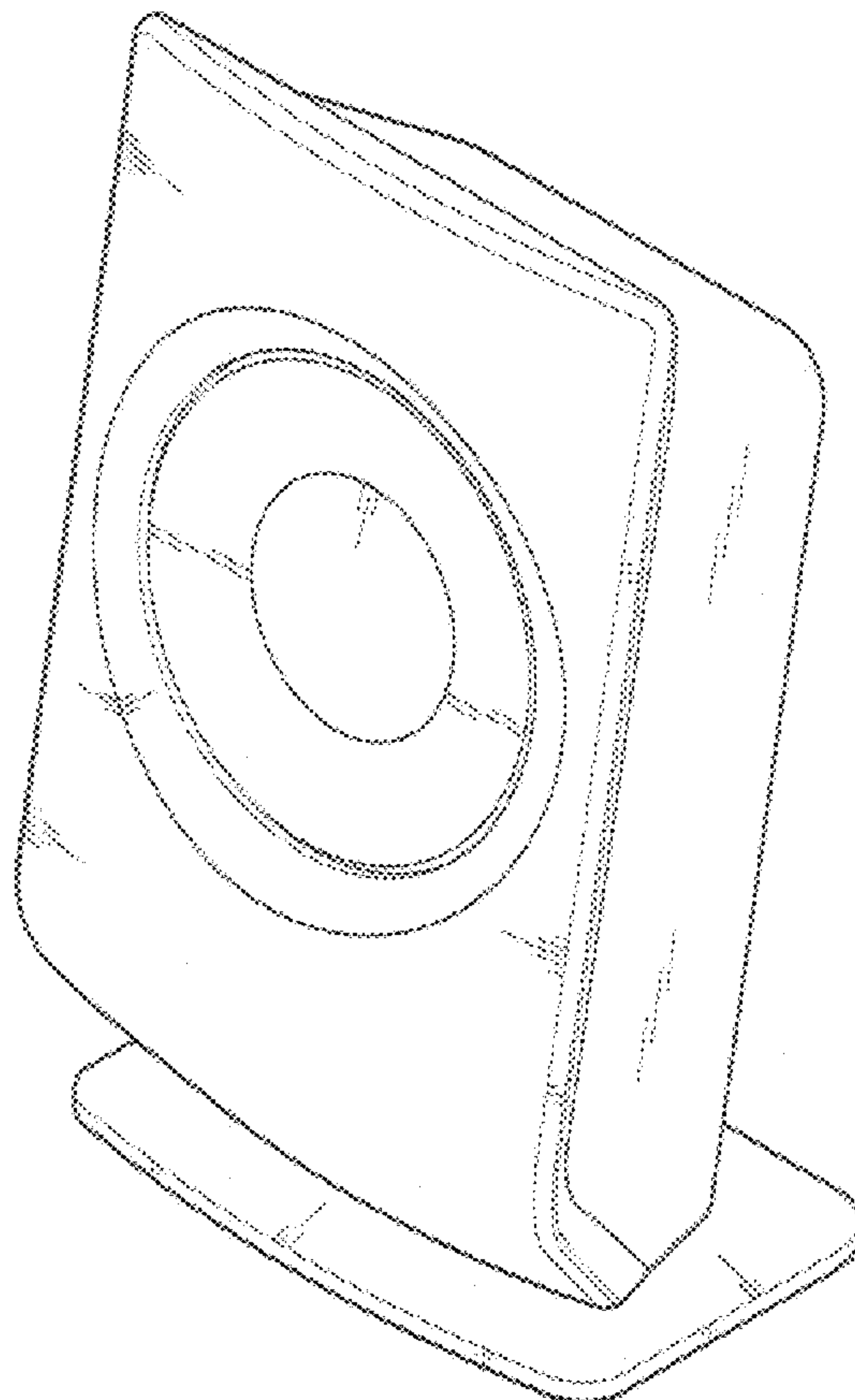


FIG. 1

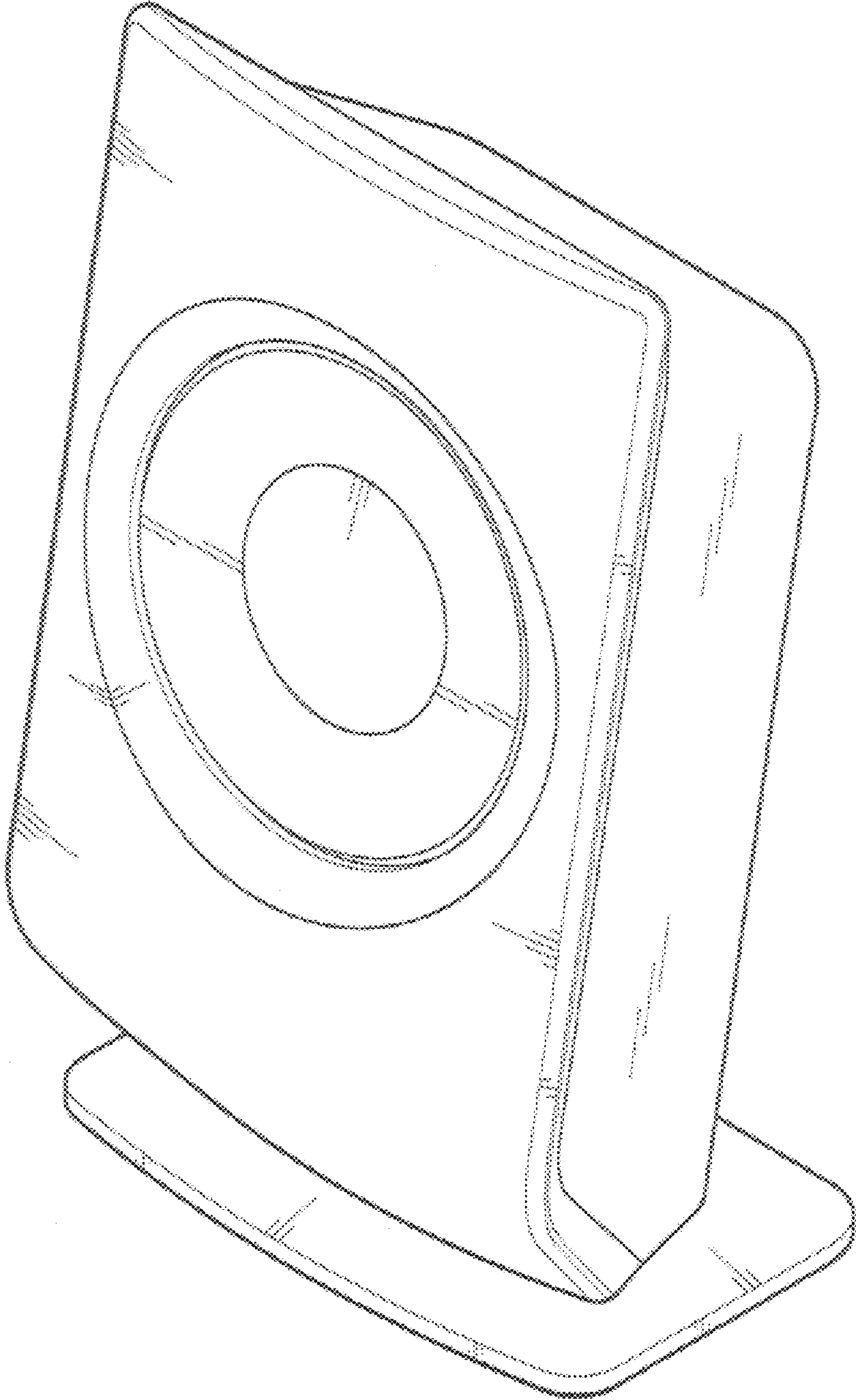


FIG. 2

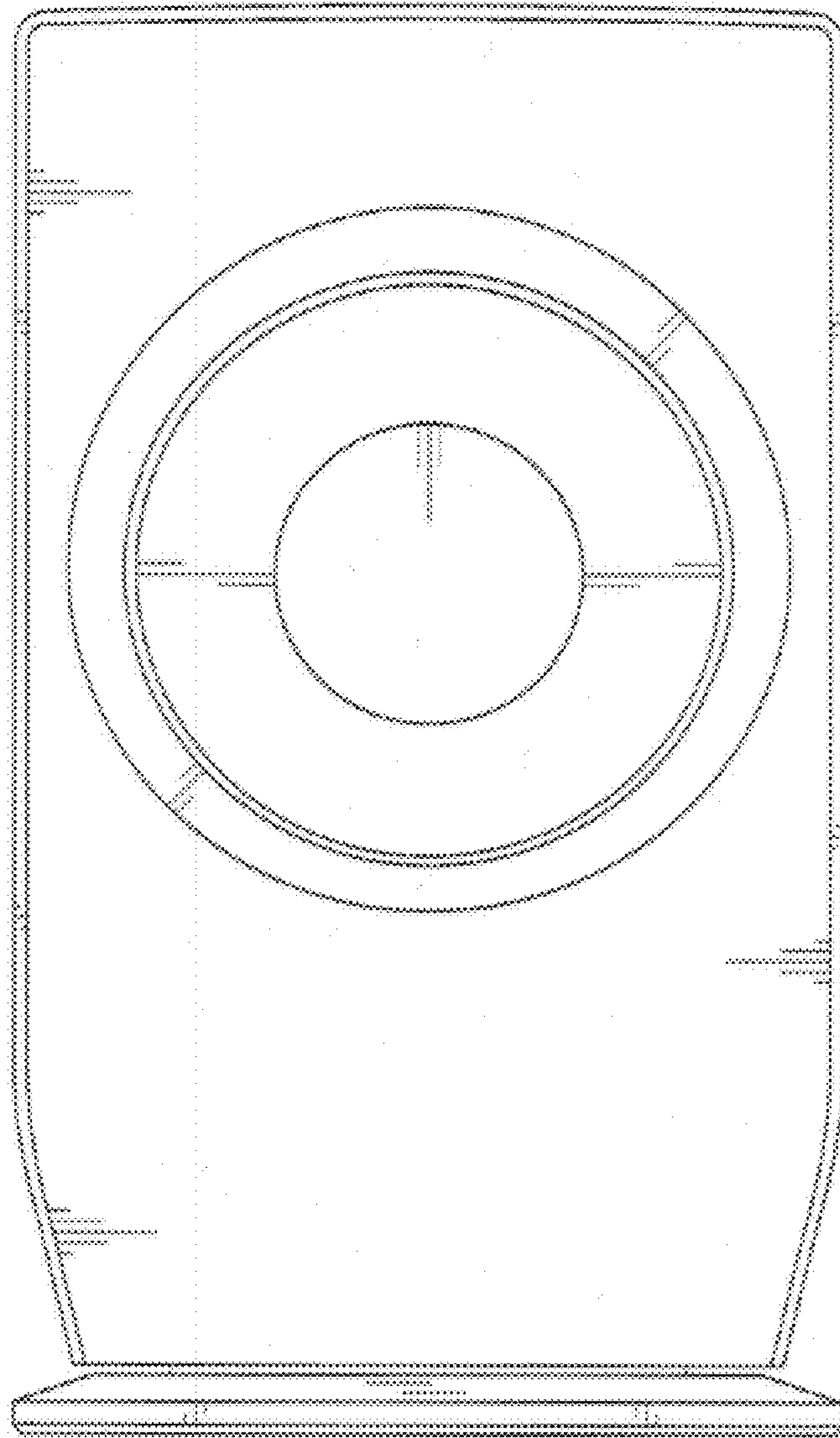


FIG. 3

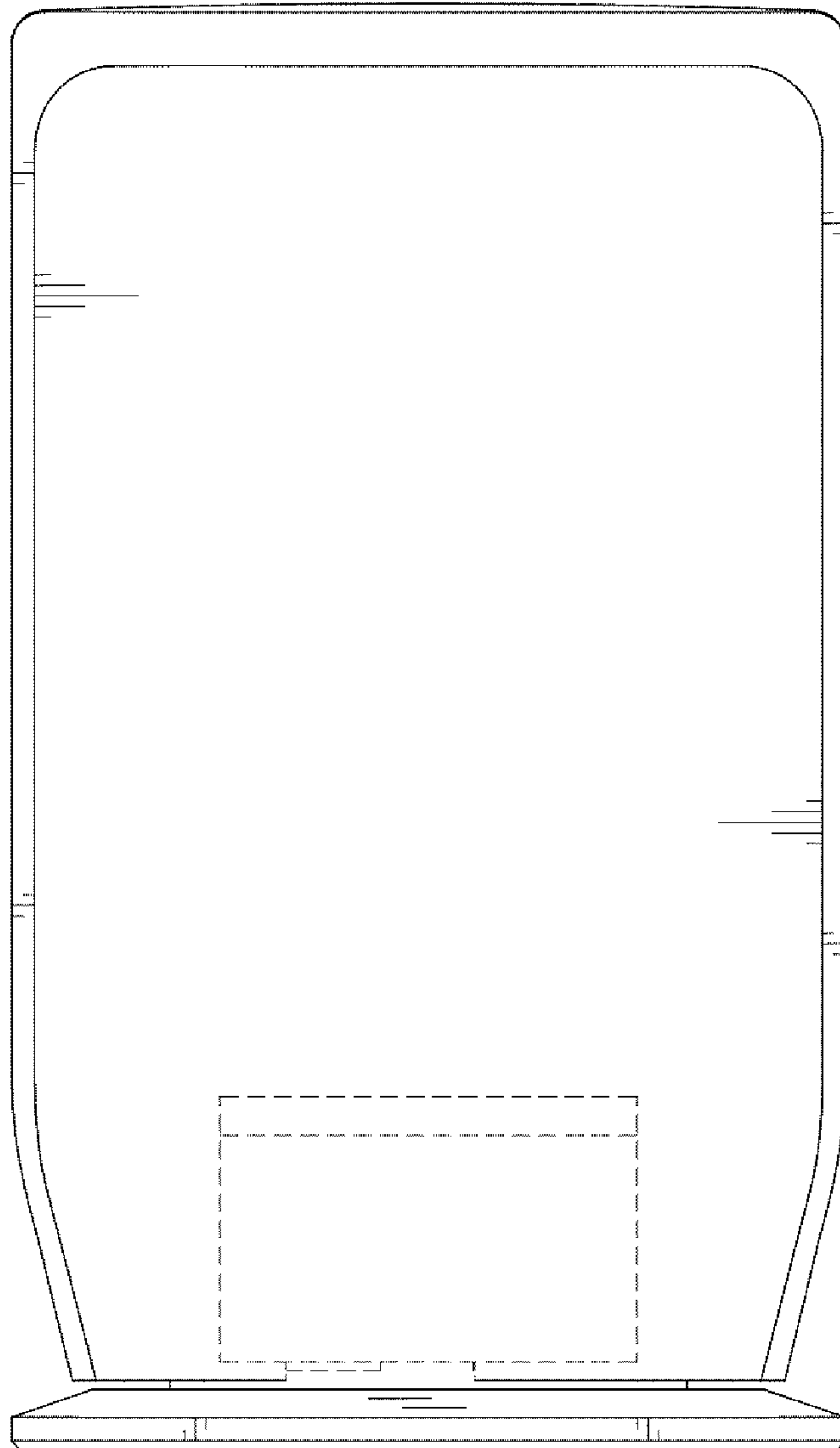


FIG. 4

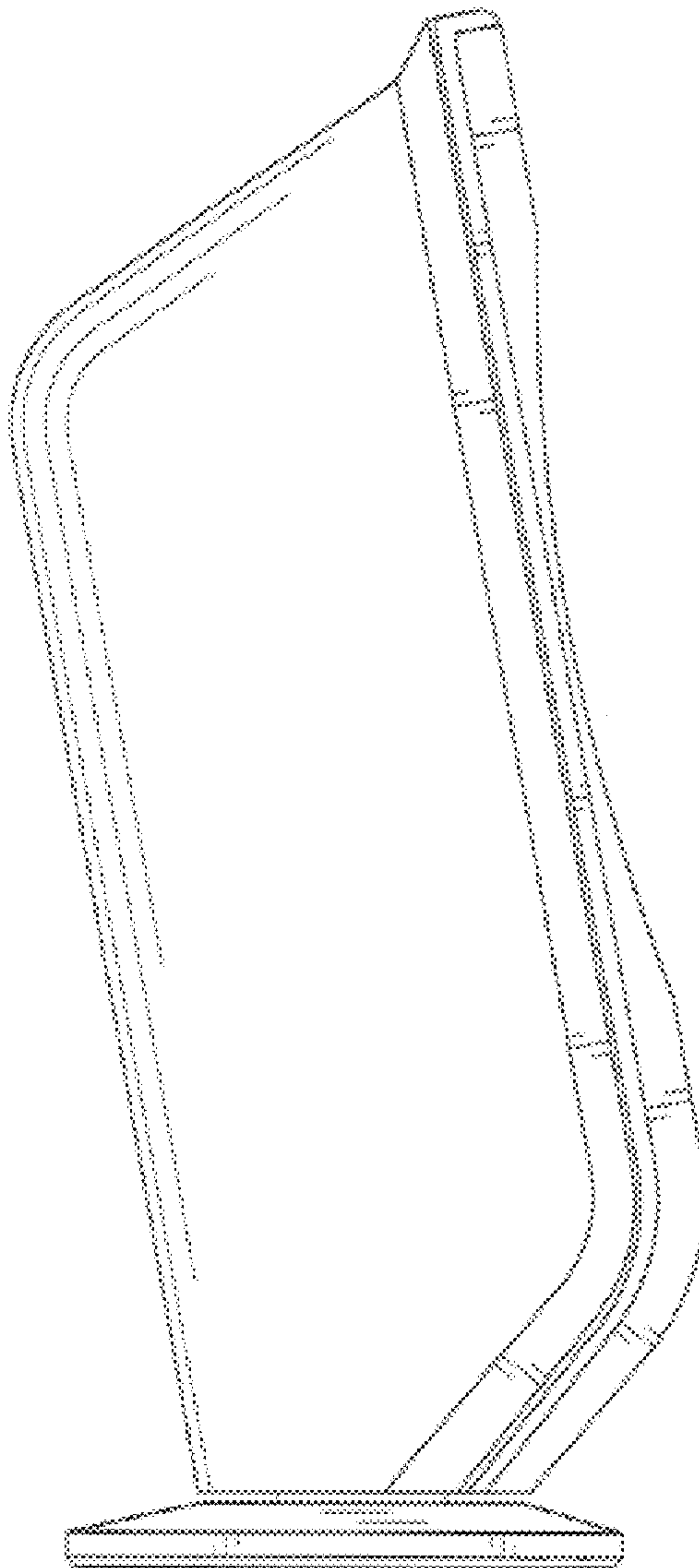


FIG. 5

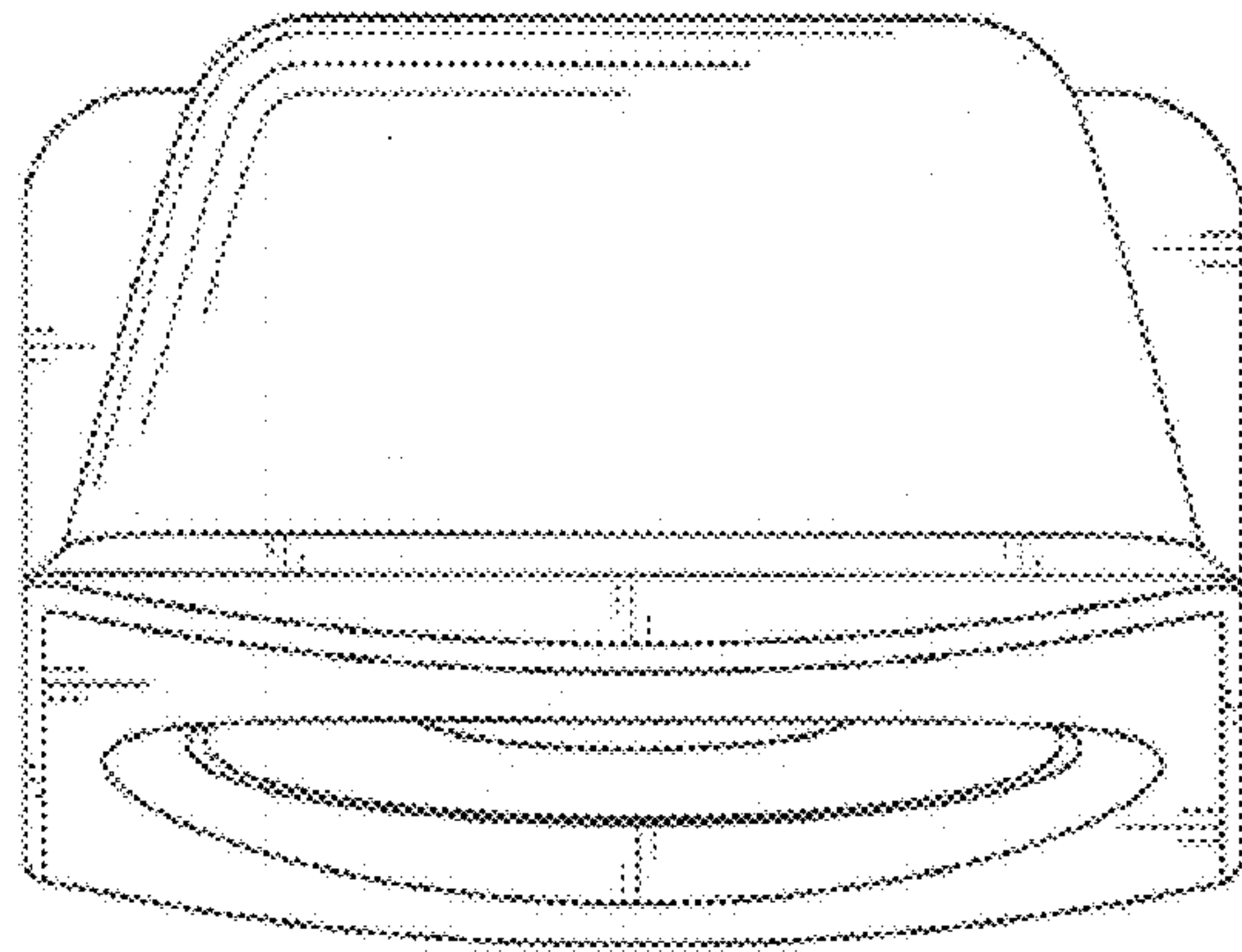


FIG. 6

