



US00D653647S

(12) **United States Design Patent**  
**Naito**

(10) **Patent No.:** **US D653,647 S**  
(45) **Date of Patent:** **\*\* Feb. 7, 2012**

(54) **AUDIO SYSTEM**

(75) Inventor: **Takahiro Naito**, Tokyo (JP)

(73) Assignee: **Sony Corporation**, Tokyo (JP)

(\*\*) Term: **14 Years**

(21) Appl. No.: **29/347,995**

(22) Filed: **Sep. 7, 2010**

(30) **Foreign Application Priority Data**

Mar. 8, 2010 (CN) ..... 2010 3 0130446  
Mar. 8, 2010 (CN) ..... 2010 3 0130447

(51) **LOC (9) Cl.** ..... **14-01**

(52) **U.S. Cl.** ..... **D14/168; D14/217**

(58) **Field of Classification Search** ..... D14/496,  
D14/498-506, 508-511, 167-168, 188, 217;  
360/99.02, 99.07; 369/75.11, 75.21, 77.11,  
369/77.21; 720/601, 612, 619, 649, 655;  
455/344, 347-351

See application file for complete search history.

(56) **References Cited**

**U.S. PATENT DOCUMENTS**

D434,751 S	12/2000	Sogabe et al.	
D452,852 S	1/2002	Hyogo et al.	
D467,572 S	12/2002	Narita	
D470,474 S	2/2003	Kobayashi	
D482,015 S	* 11/2003	Ng	D14/168
D506,459 S	* 6/2005	Obata et al.	D14/168
D508,907 S	* 8/2005	Ueda et al.	D14/168
D517,049 S	3/2006	Katsumata	
D519,105 S	4/2006	Masui	
D529,895 S	* 10/2006	Hirano	D14/217
D544,855 S	6/2007	Hibino	
D571,347 S	6/2008	Masul	

**FOREIGN PATENT DOCUMENTS**

AT	000446661-0003 S	1/2006
CN	3329757 S	10/2003
CN	3490548 S	12/2005
JP	D1075581 S	6/2000
JP	D1075581/1 S	11/2000

\* cited by examiner

*Primary Examiner* — Nanda Bondade

(74) *Attorney, Agent, or Firm* — Rader, Fishman & Grauer PLLC

(57) **CLAIM**

The ornamental design for an audio system, as shown and described.

**DESCRIPTION**

FIG. 1 is a perspective view of an audio system showing my new design;  
FIG. 2 is a front elevational view thereof;  
FIG. 3 is a rear elevational view thereof;  
FIG. 4 is a right side elevational view thereof;  
FIG. 5 is a top plan view thereof; and  
FIG. 6 is a bottom plan view thereof.  
FIG. 7 is a perspective view of another embodiment of an audio system showing my new design;  
FIG. 8 is a front elevational view thereof;  
FIG. 9 is a rear elevational view thereof;  
FIG. 10 is a right side elevational view thereof;  
FIG. 11 is a top plan view thereof; and,  
FIG. 12 is a bottom plan view thereof.  
Portions in broken lines are for illustrative purpose only and form no part of the claimed design.

**1 Claim, 12 Drawing Sheets**

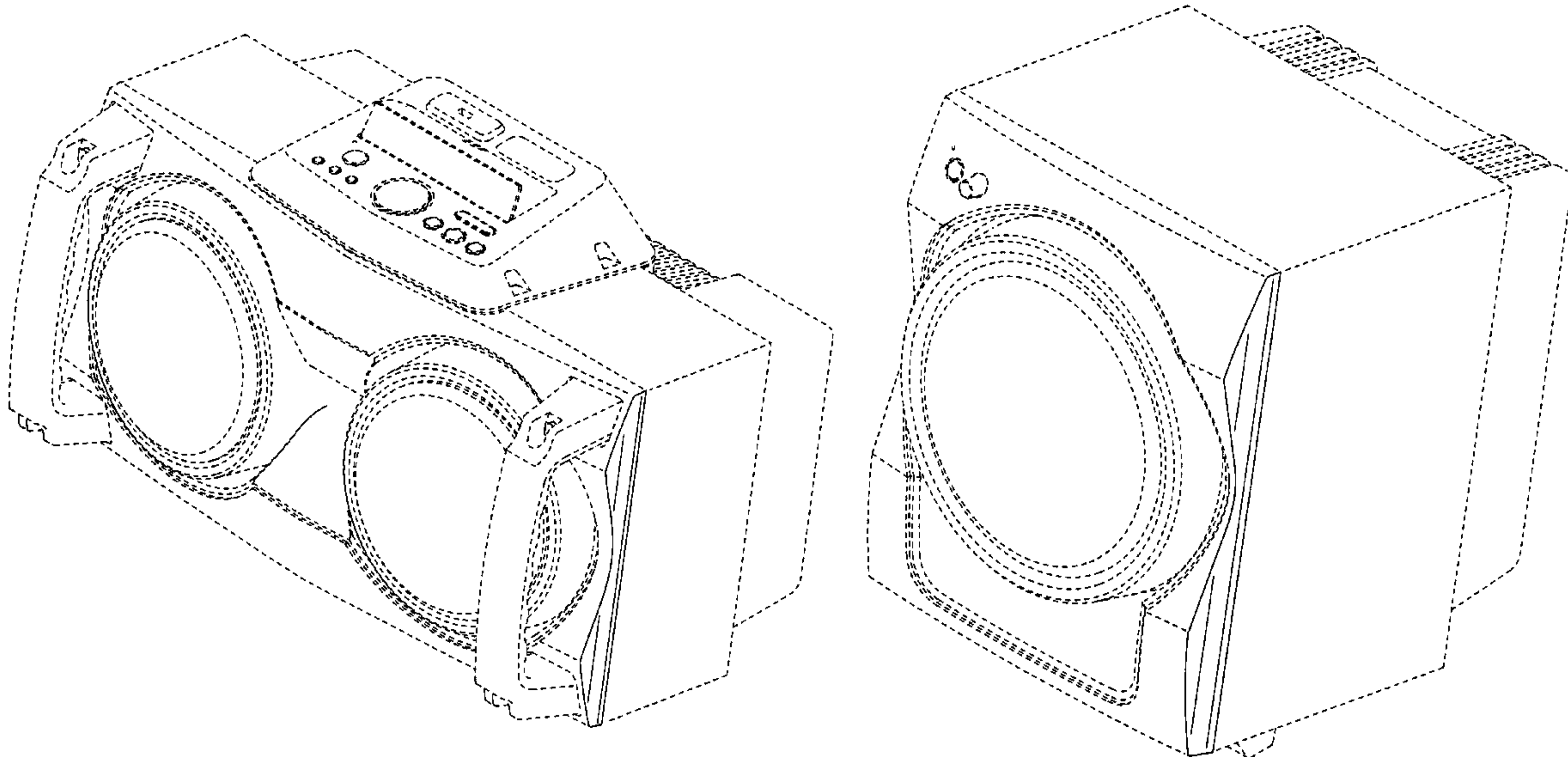


FIG. 1

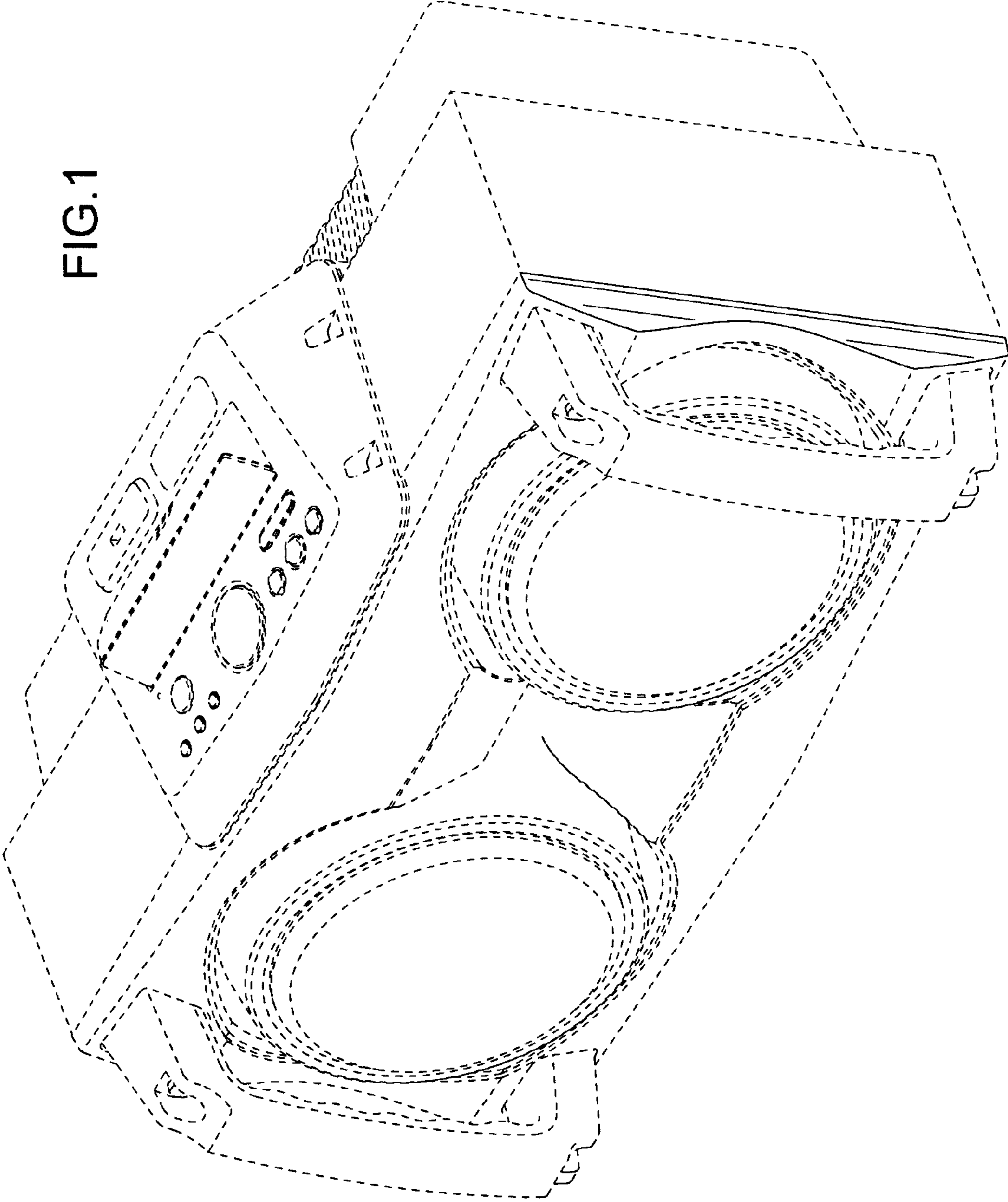


FIG.2

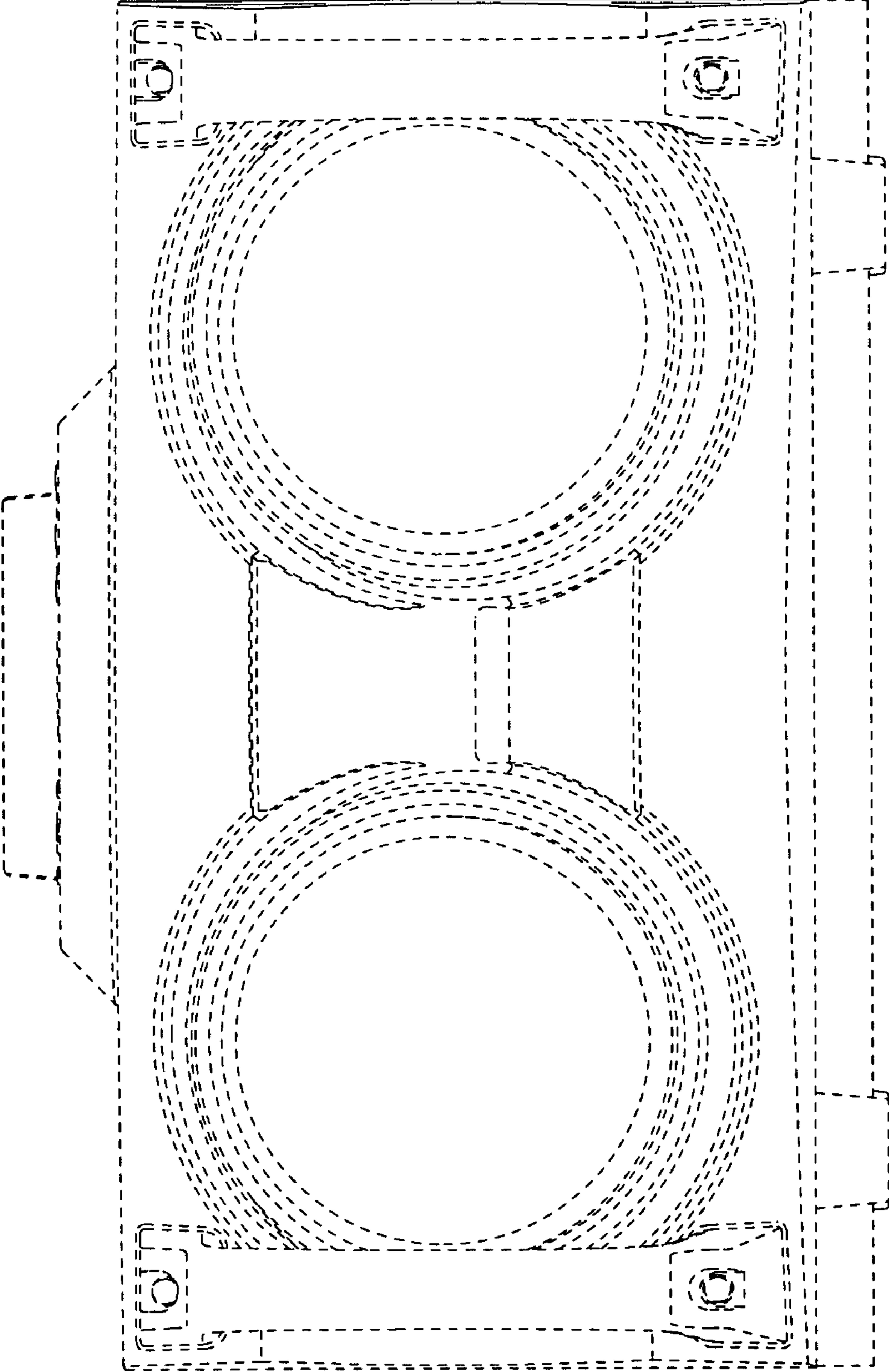


FIG. 3

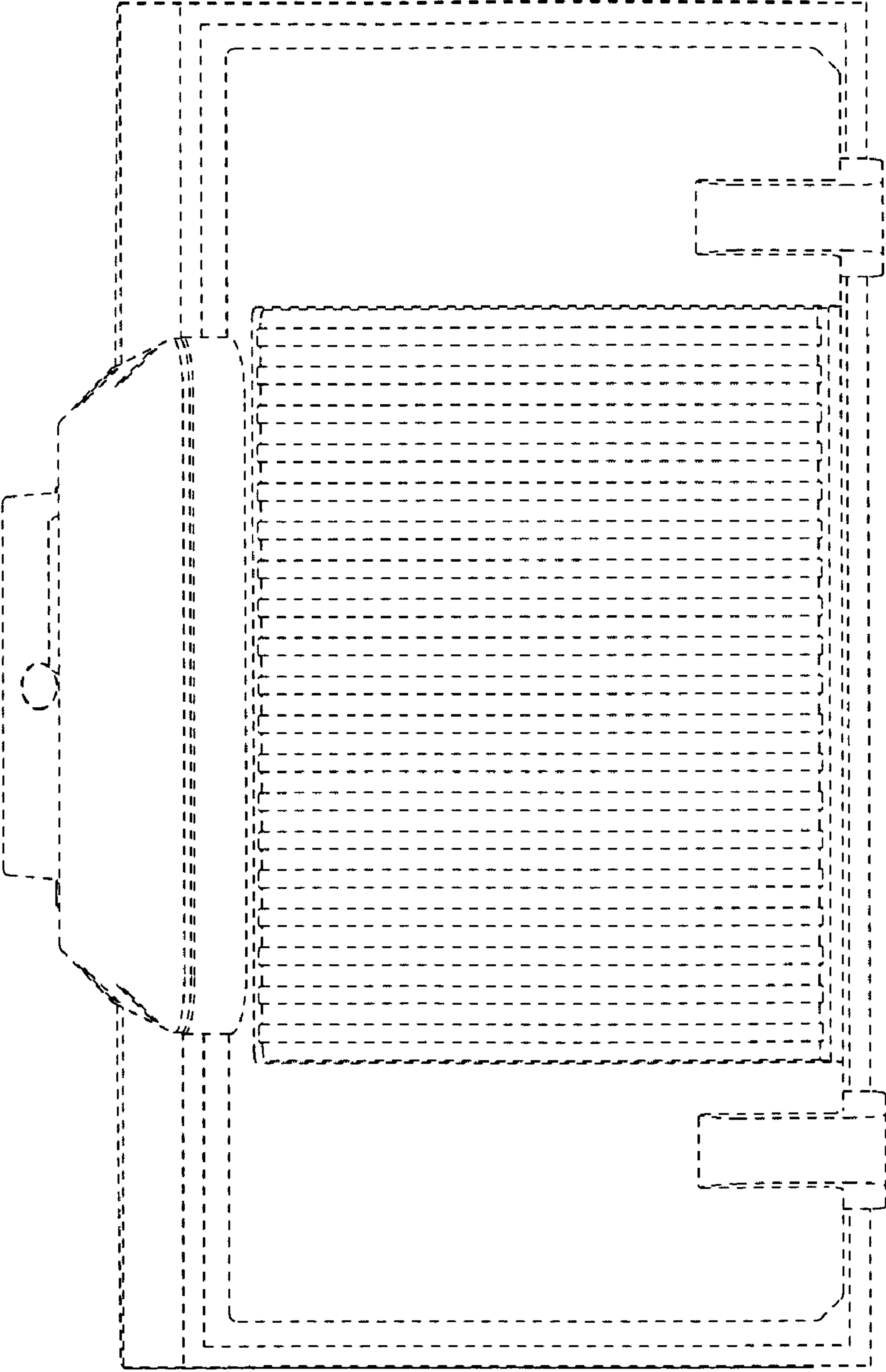




FIG.4

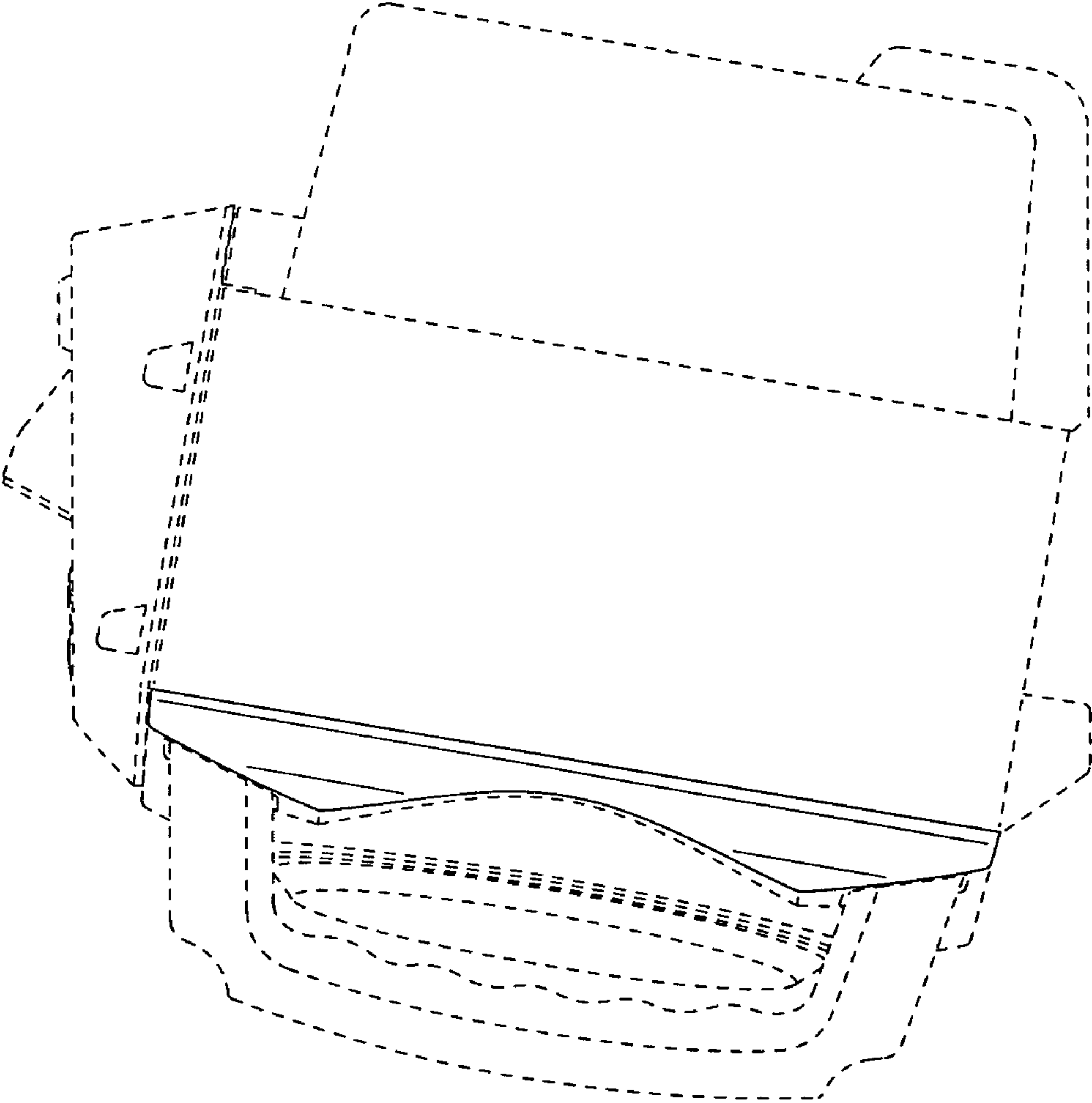


FIG.5

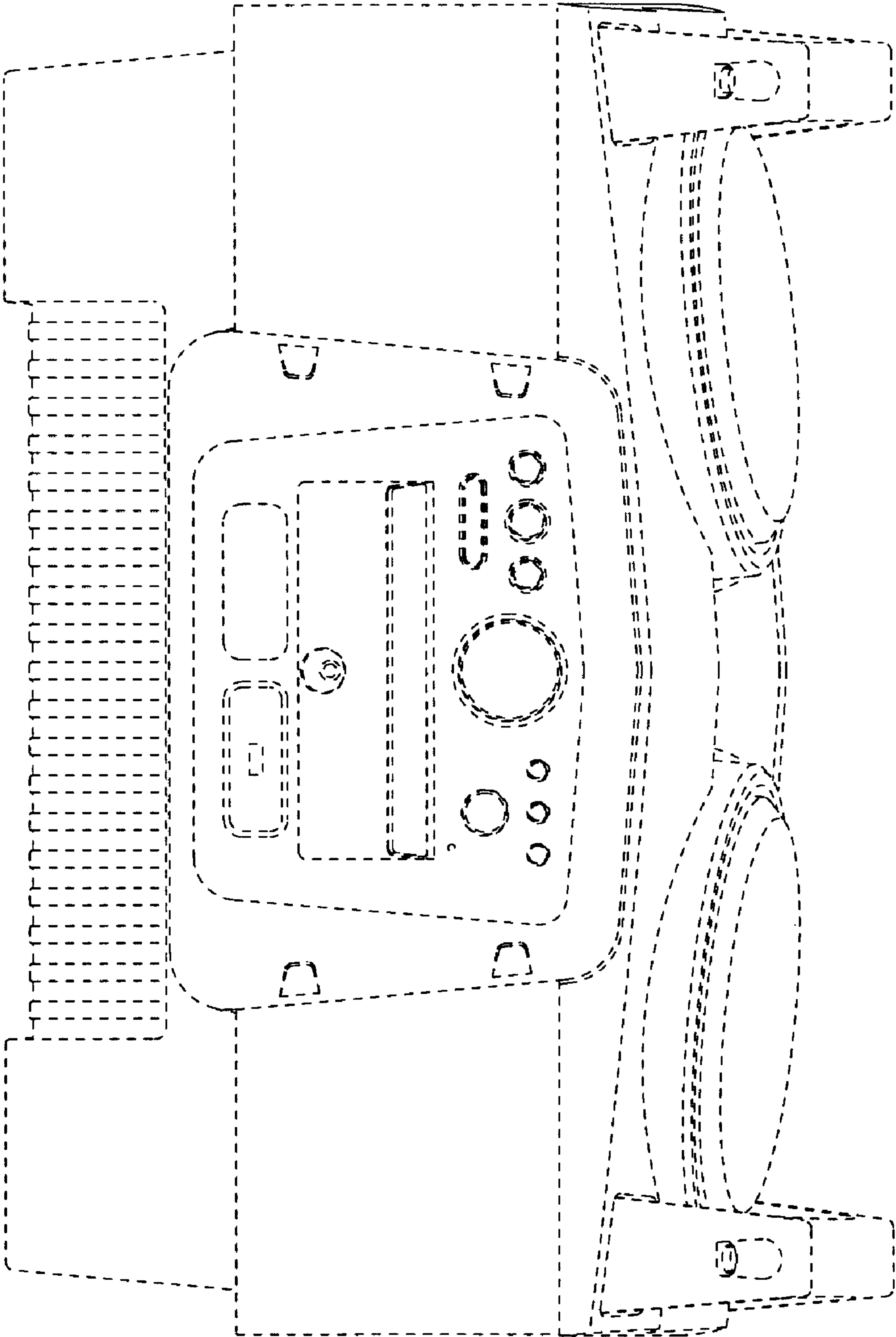


FIG.6

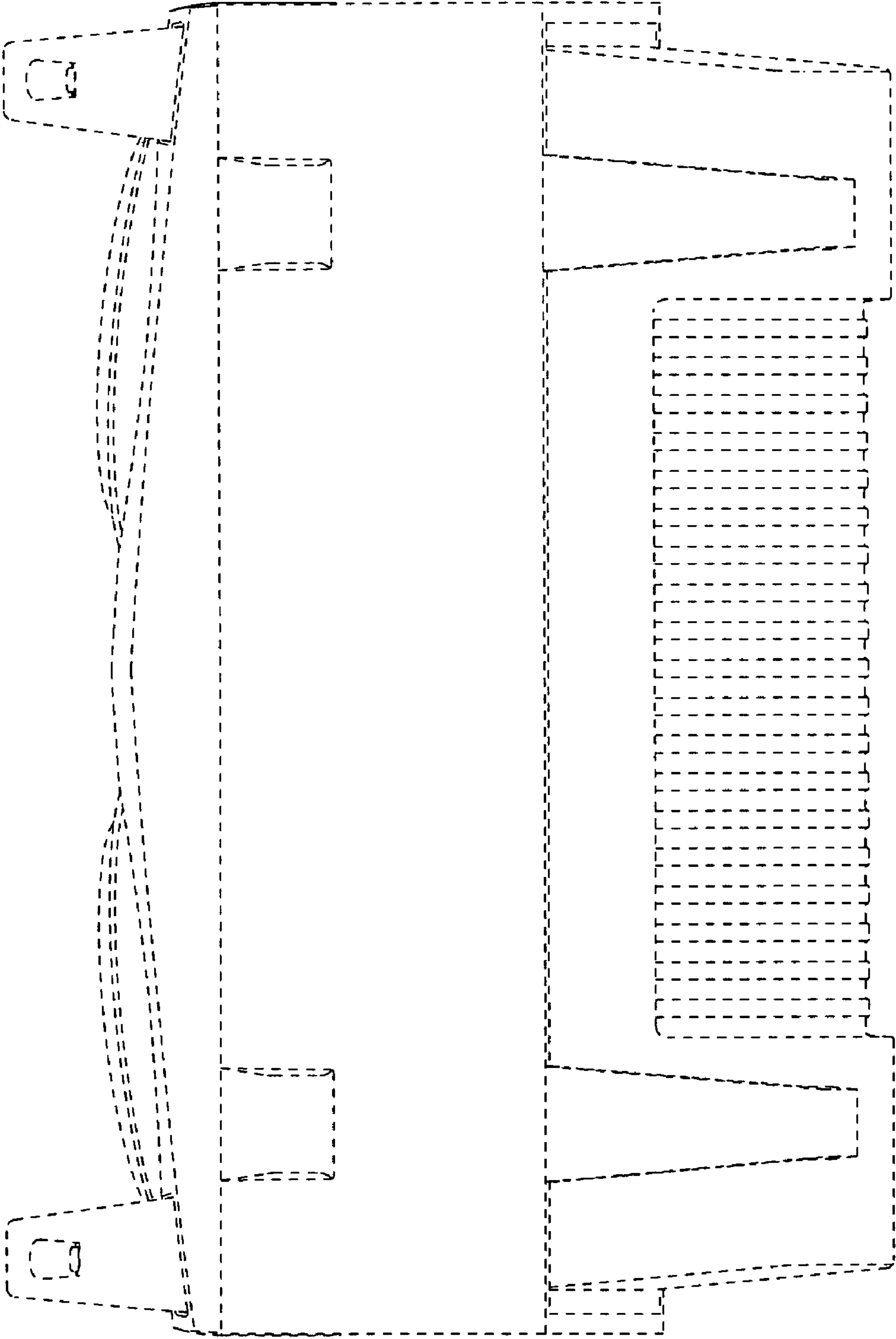


FIG.7

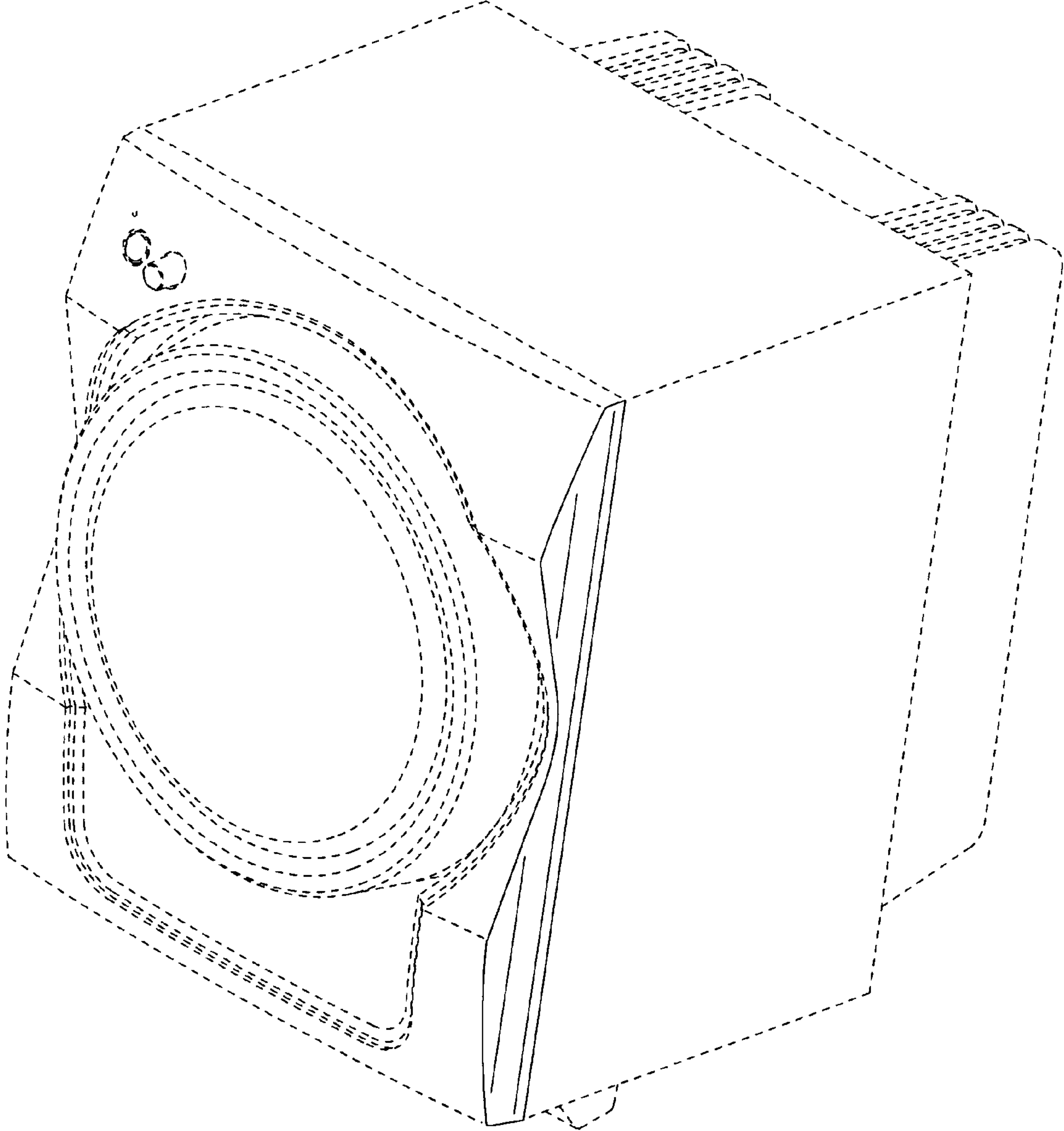




FIG.8

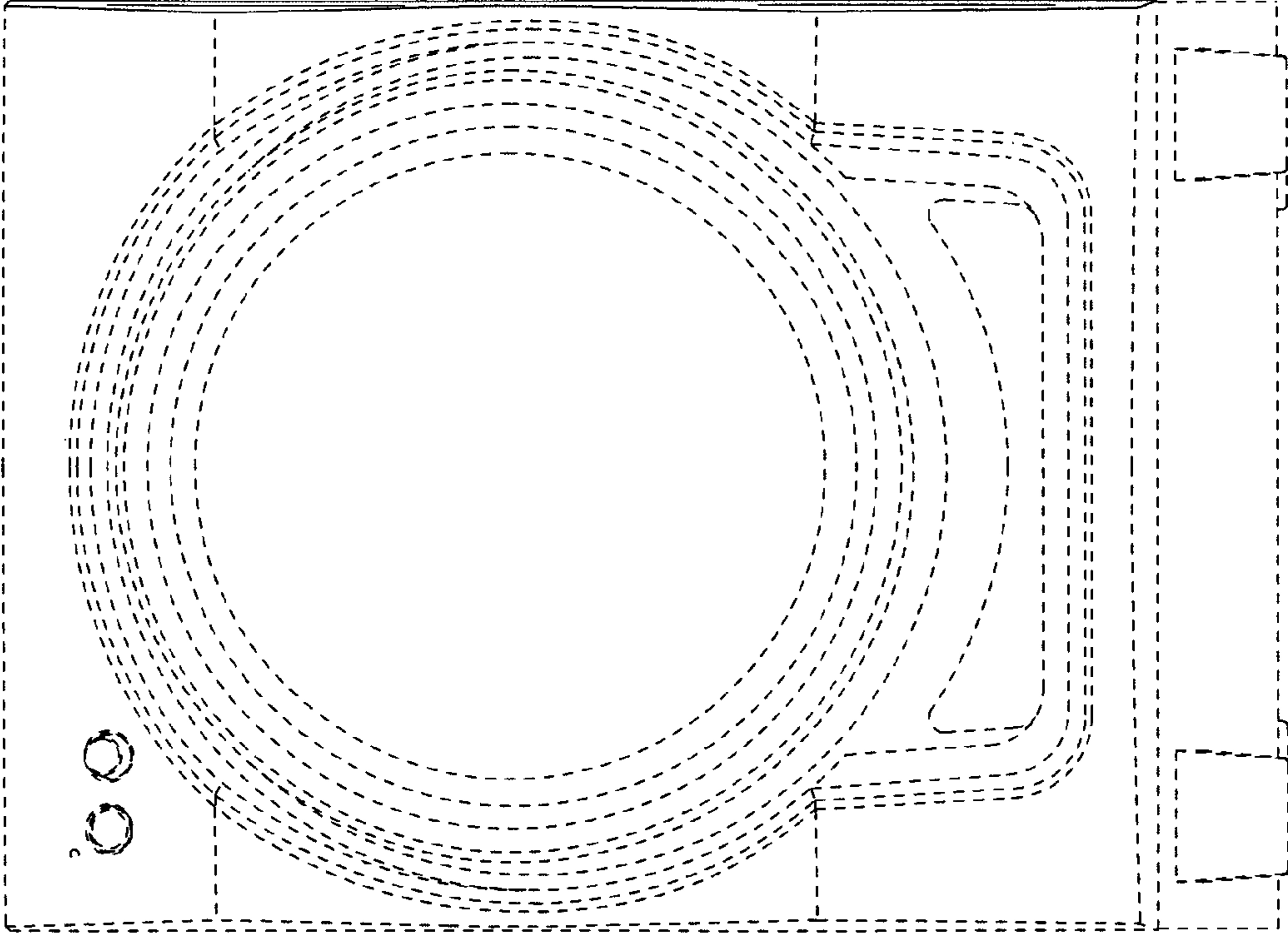


FIG. 9



FIG.10

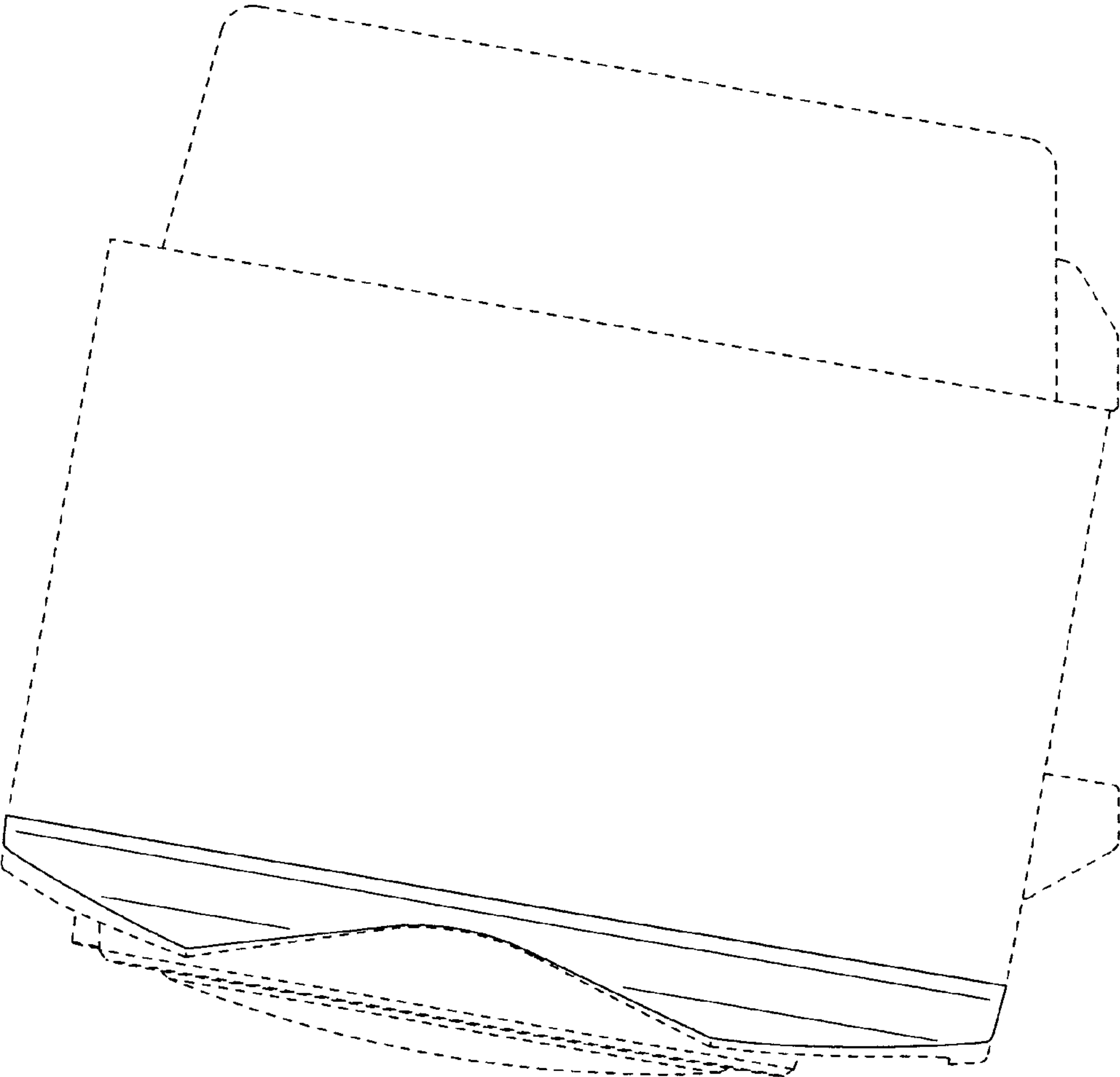


FIG.11

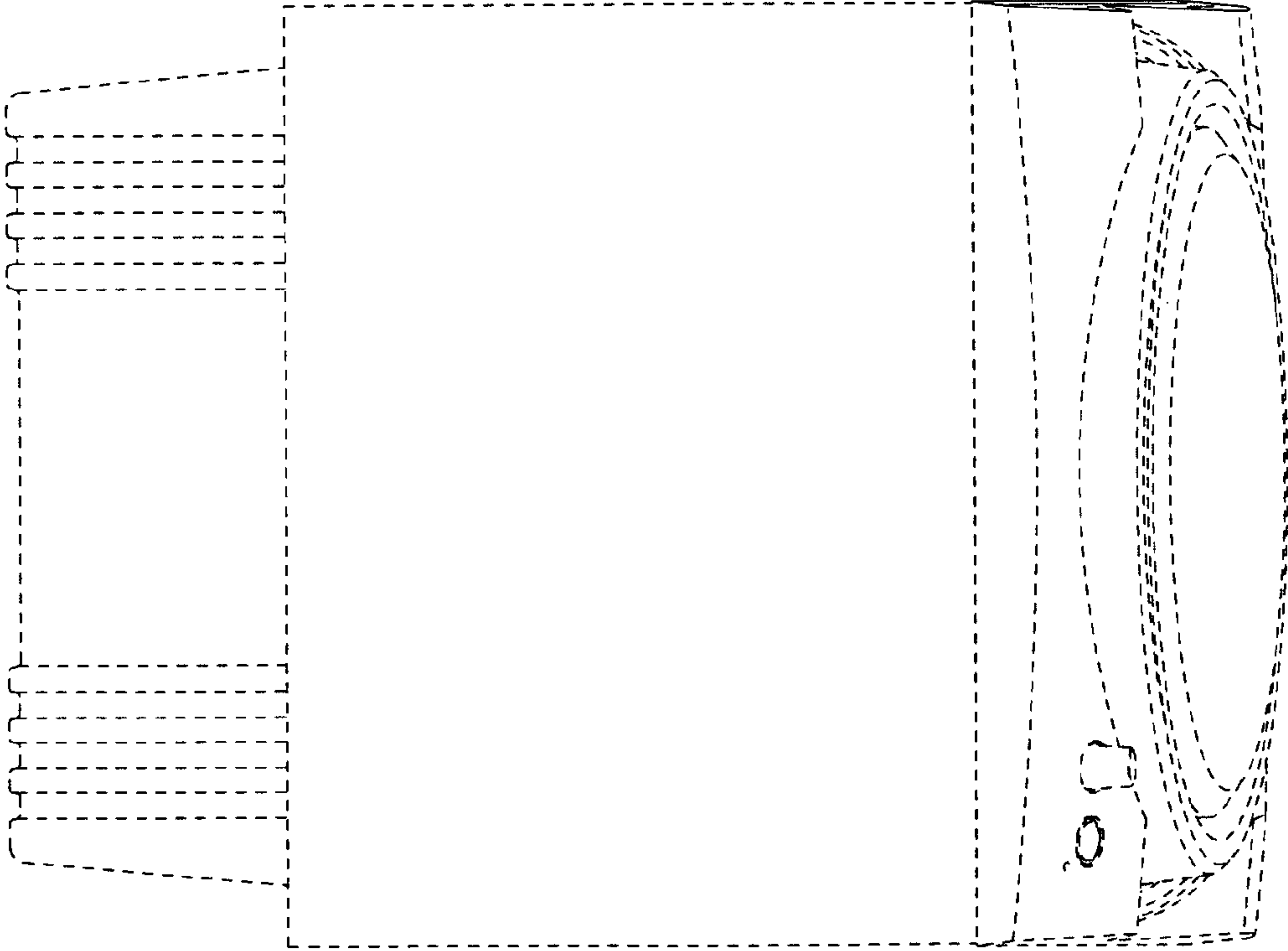


FIG.12

