



US00D653646S

(12) **United States Design Patent**
Hovdal

(10) **Patent No.:** **US D653,646 S**

(45) **Date of Patent:** **** Feb. 7, 2012**

(54) **INPUT DEVICE**

(75) Inventor: **Gaute Hovdal**, Oslo (NO)

(73) Assignee: **Cisco Technology, Inc.**, San Jose, CA
(US)

(**) Term: **14 Years**

(21) Appl. No.: **29/363,531**

(22) Filed: **Jun. 10, 2010**

(30) **Foreign Application Priority Data**

Dec. 11, 2009 (NO) 20090656

(51) **LOC (9) Cl.** **14-03**

(52) **U.S. Cl.** **D14/142**

(58) **Field of Classification Search** D14/130,
D14/140, 141, 142, 144, 147, 148, 149, 150,
D14/151, 240, 241, 251, 329; 379/420.01,
379/420.02, 420.03, 419, 420.04, 428.01,
379/428.02, 428.03, 428.04, 454, 440, 446,
379/434, 435, 436; D13/107, 108, 168; 320/110,
320/113, 114, 115

See application file for complete search history.

(56) **References Cited**

U.S. PATENT DOCUMENTS

D427,161 S *	6/2000	Oh	D14/329
D439,231 S *	3/2001	Song	D14/144
D472,236 S *	3/2003	Schramm et al.	D14/144
D520,963 S *	5/2006	Krauss	D13/168

* cited by examiner

Primary Examiner — Susan Bennett Hattan

Assistant Examiner — Barbara B Lohr

(74) *Attorney, Agent, or Firm* — Oblon, Spivak,
McClelland, Maier & Neustadt, L.L.P.

(57) **CLAIM**

The ornamental design for an input device, as shown and described.

DESCRIPTION

FIG. 1 is a front and right side perspective view of an input device;

FIG. 2 is a front elevational view thereof;

FIG. 3 is a rear elevational view thereof;

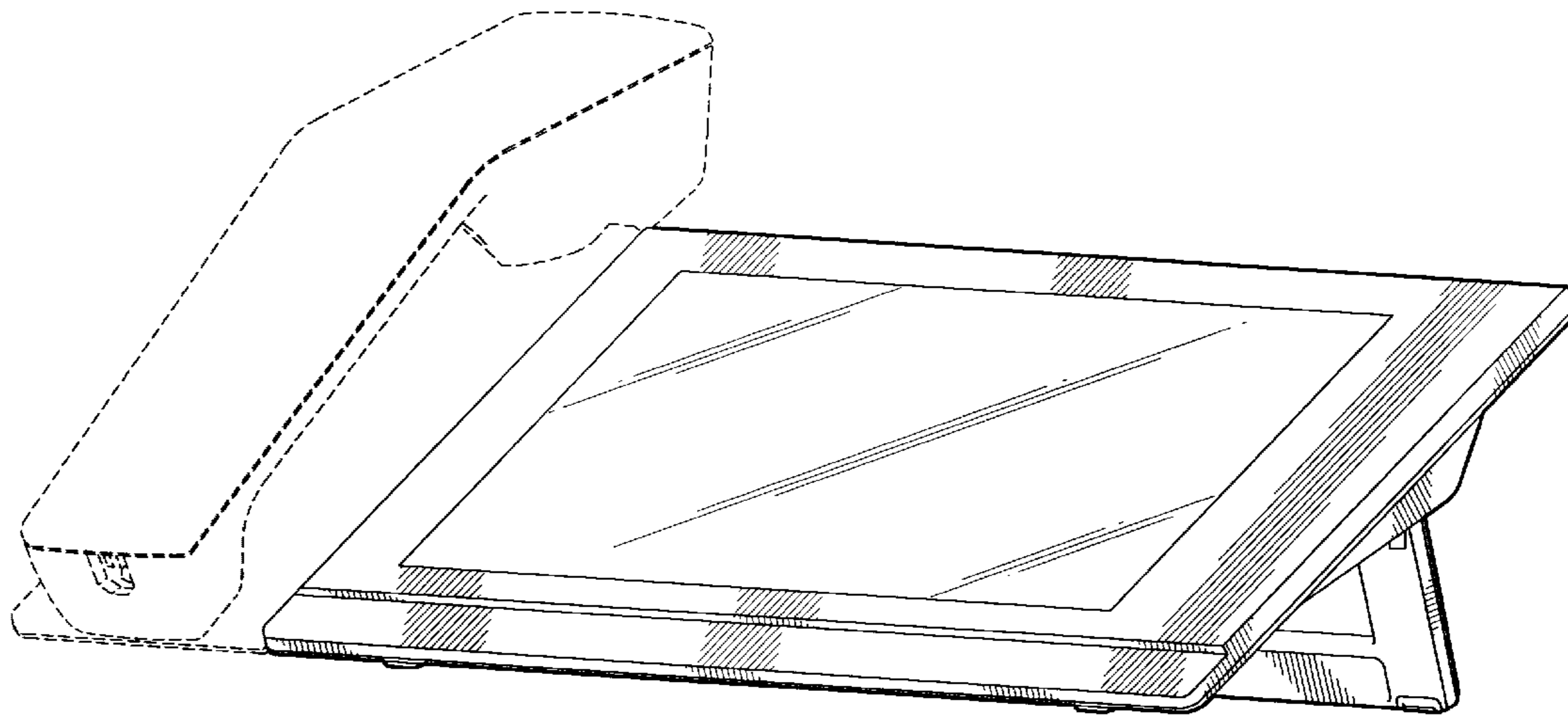
FIG. 4 is a top plan view thereof;

FIG. 5 is a bottom plan view thereof; and,

FIG. 6 is a right side elevational view thereof.

Any portion of the left side of the input device not shown in the drawings is unclaimed. Further, the broken lines in the drawings depict environmental subject matter only and form no part of the claimed design.

1 Claim, 6 Drawing Sheets



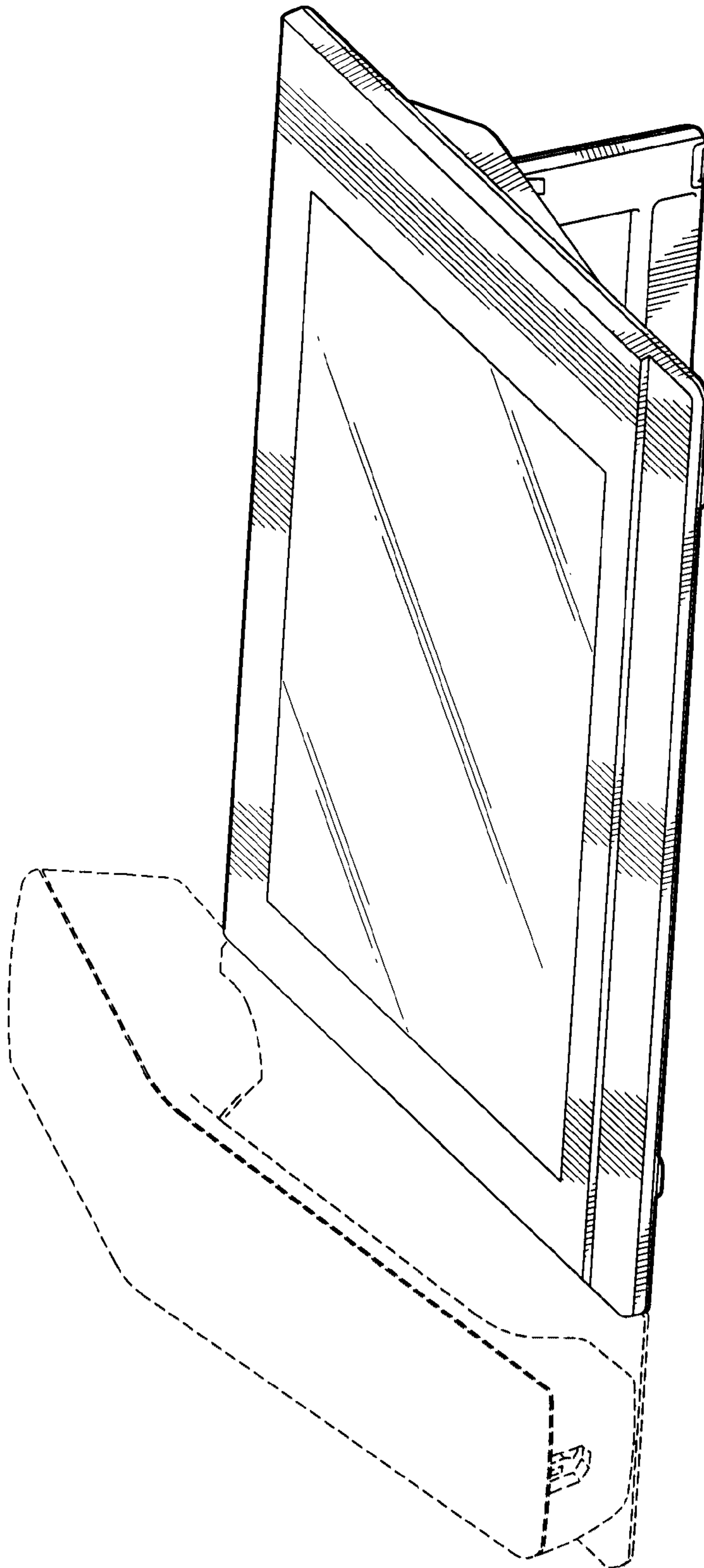


Fig. 1

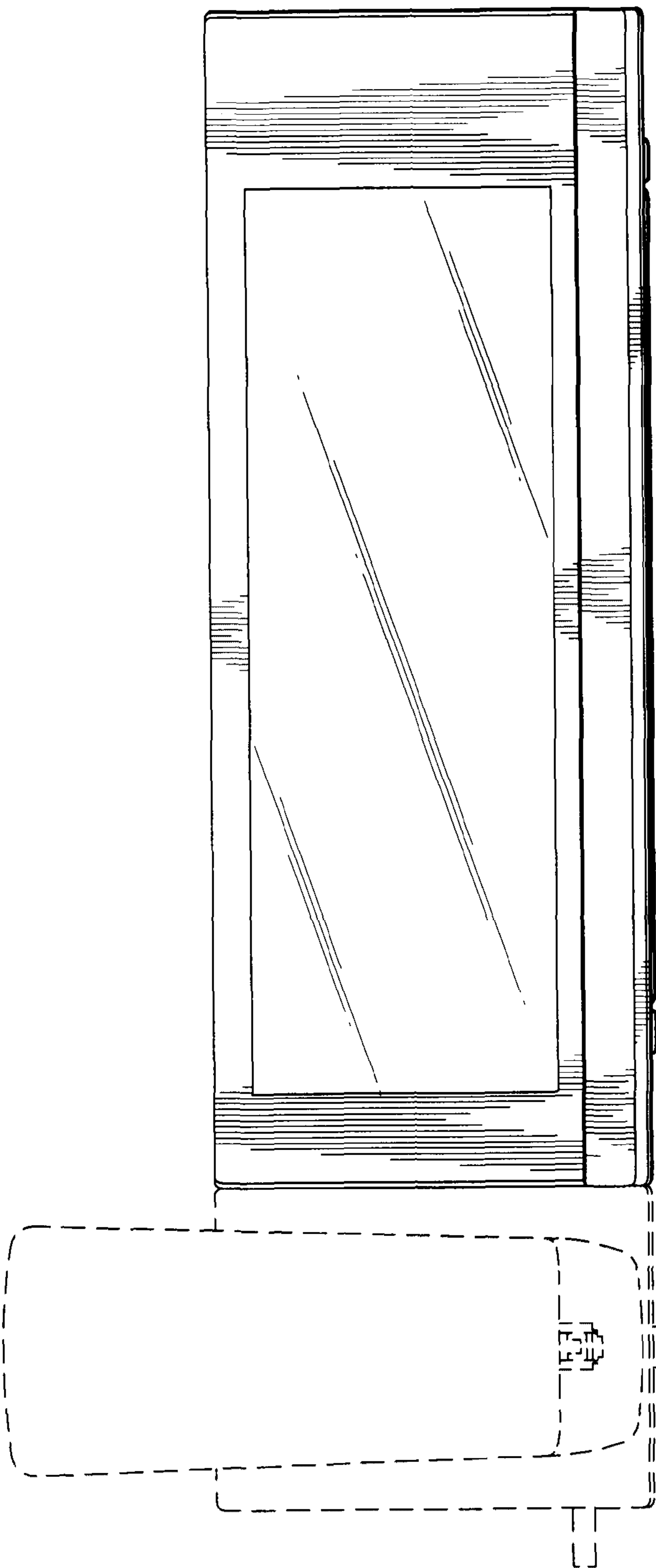


Fig. 2

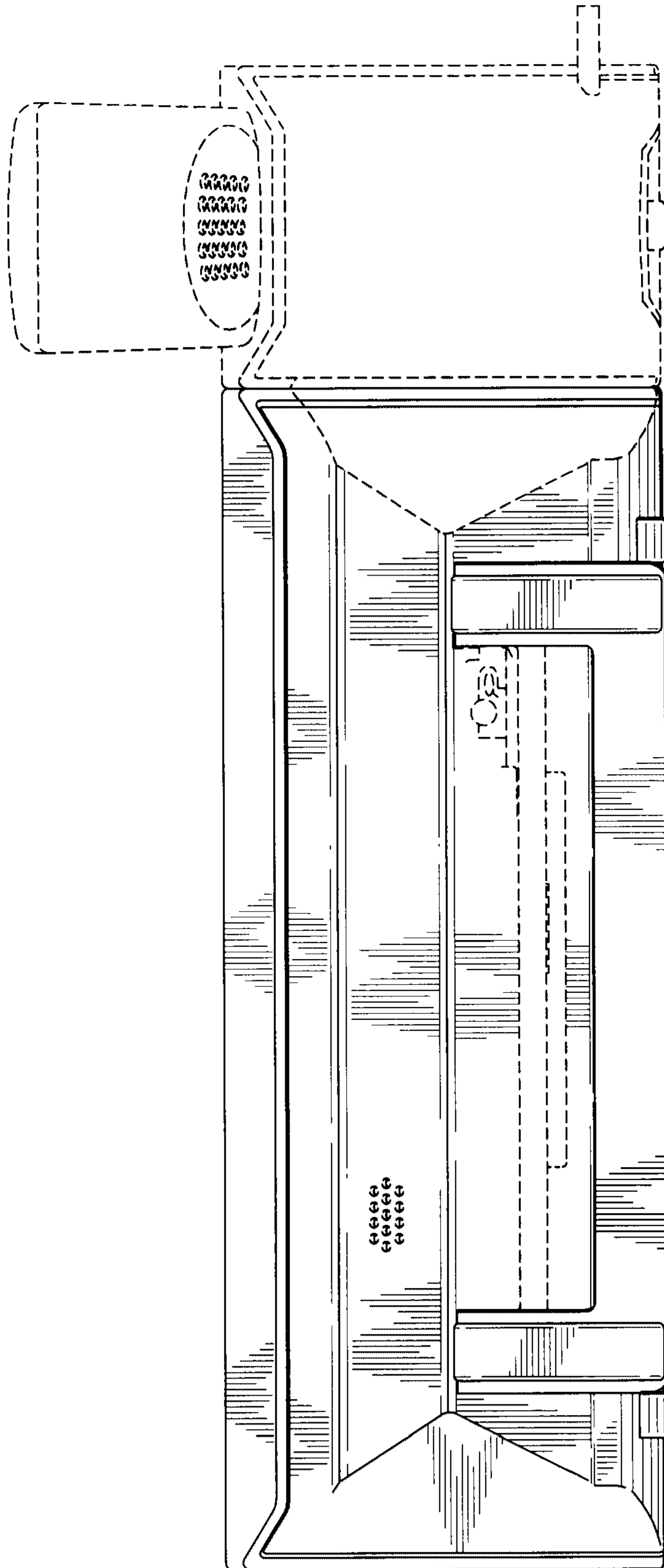


Fig. 3

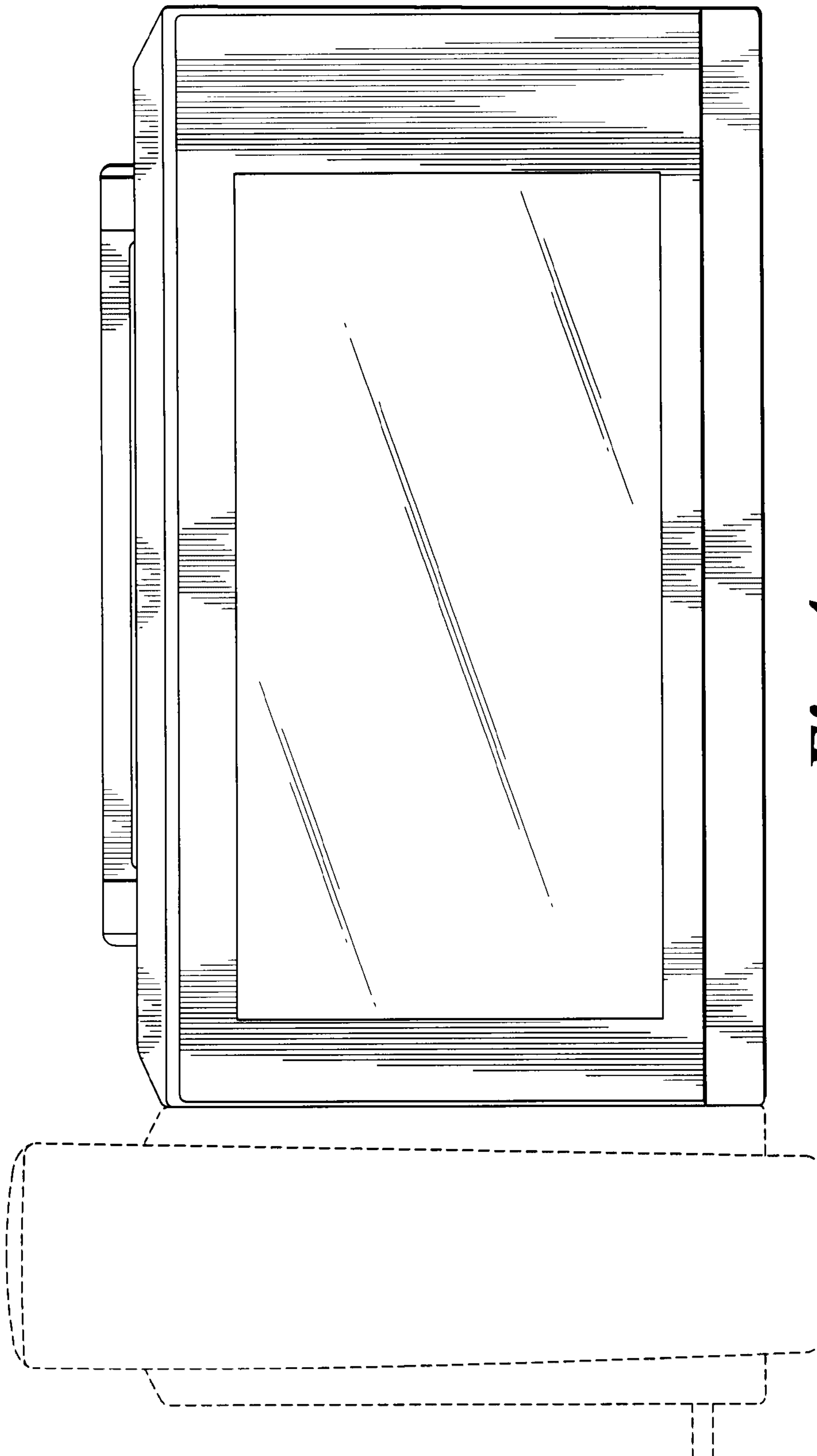


Fig. 4

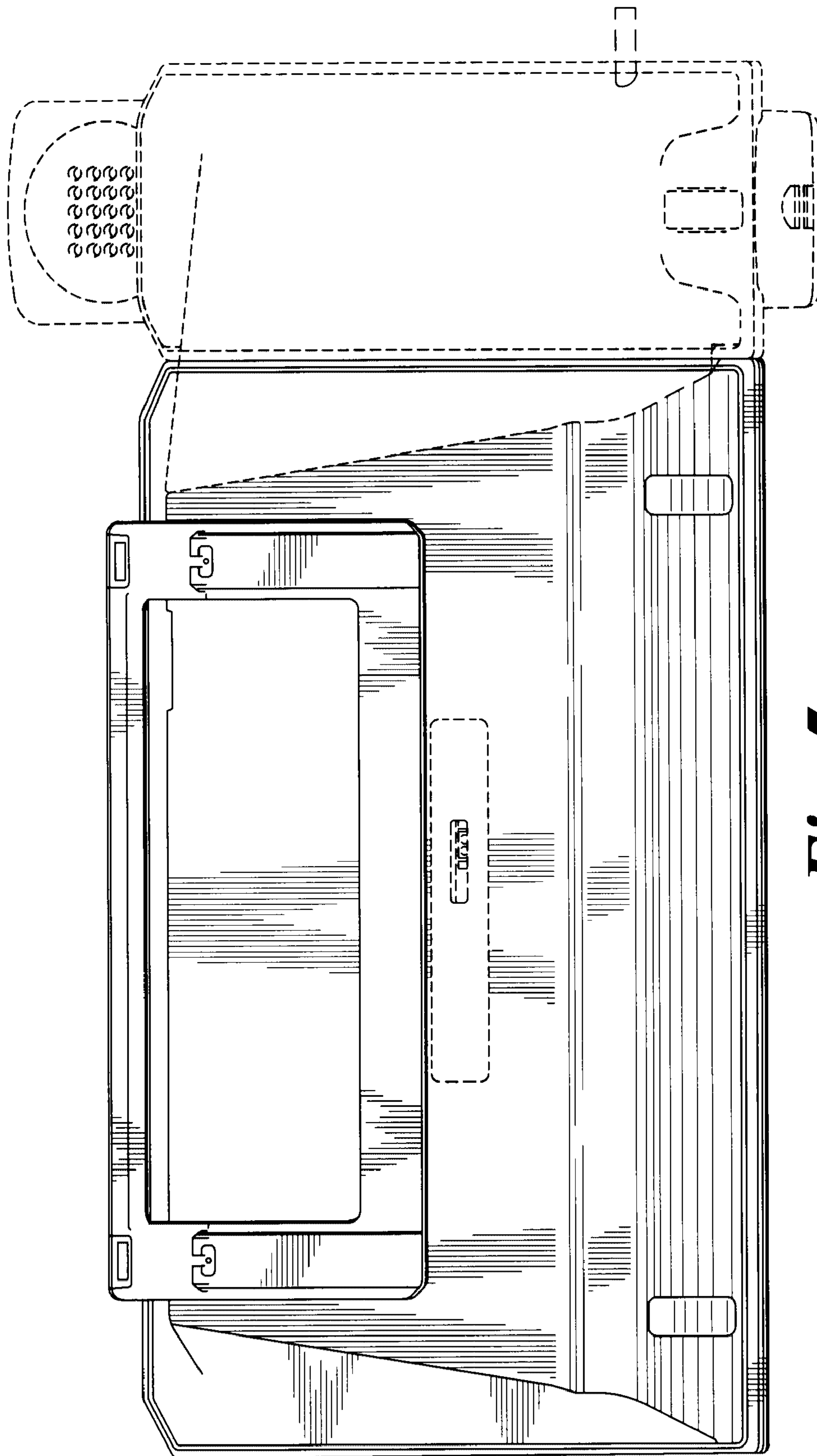


Fig. 5

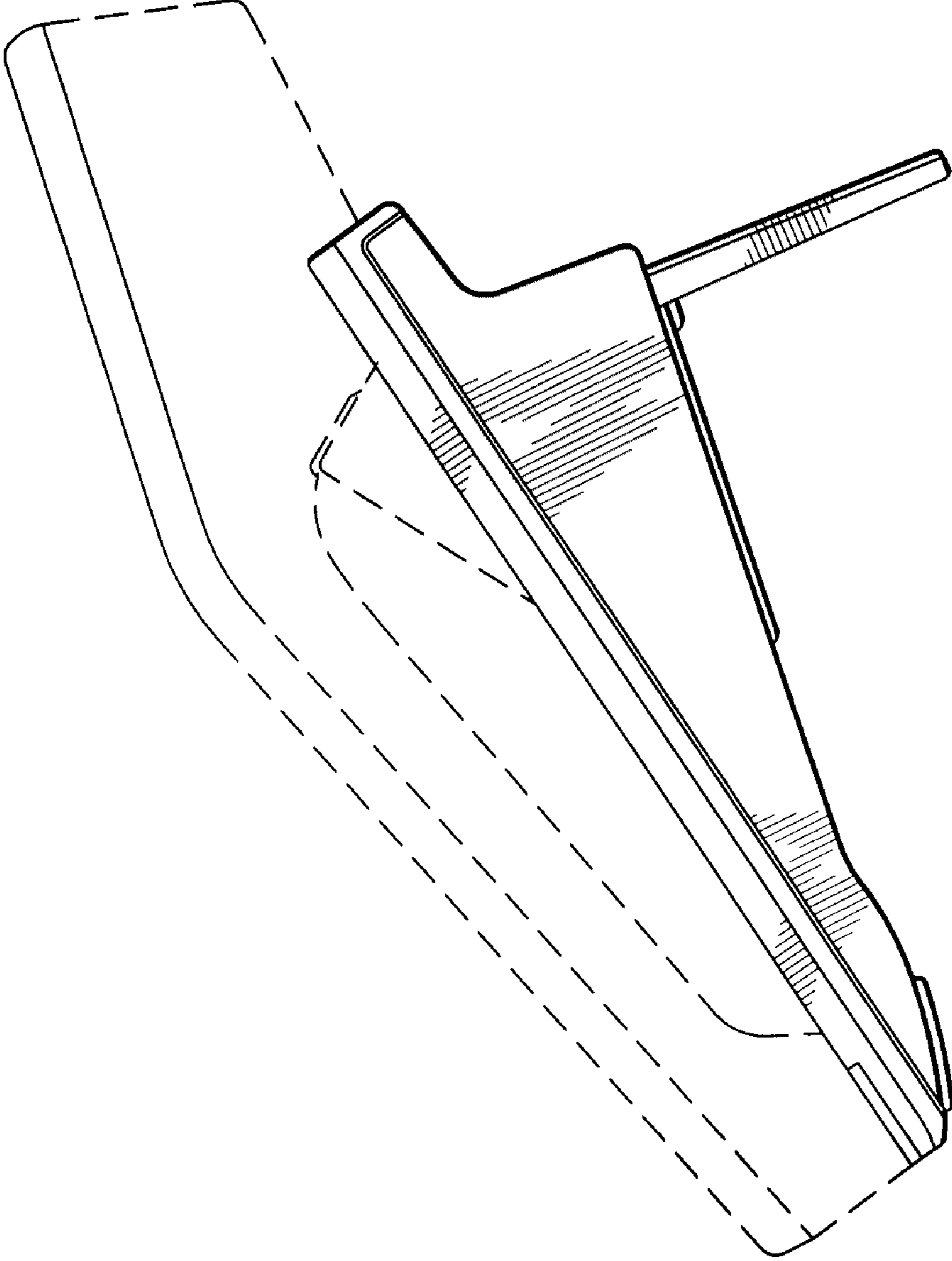


Fig. 6