



US00D653640S

(12) **United States Design Patent**
Kwon et al.

(10) **Patent No.:** **US D653,640 S**
(45) **Date of Patent:** **** Feb. 7, 2012**

(54) **WATERPROOF MOBILE PHONE**

(75) Inventors: **Kyung-Jun Kwon**, Hanam-si (KR);
Min-Hyok Lee, Seoul (KR)

(73) Assignee: **Samsung Electronics Co., Ltd.**,
Suwon-si (KR)

(**) Term: **14 Years**

(21) Appl. No.: **29/389,199**

(22) Filed: **Apr. 7, 2011**

(30) **Foreign Application Priority Data**

Dec. 29, 2010 (KR) 30-2010-0056512

(51) **LOC (9) Cl.** **14-03**

(52) **U.S. Cl.** **D14/138 G**

(58) **Field of Classification Search** D14/138 AD,
D14/138 G, 138 R, 138 AC, 138 C, 496,
D14/341, 345, 346, 203.7, 247, 248, 218,
D14/138 AA, 138 AB; 455/575.1, 556.2,
455/556.1, 575.4, 566; D10/65; D13/168

See application file for complete search history.

(56) **References Cited**

U.S. PATENT DOCUMENTS

D562,285 S *	2/2008	Lim	D14/138 G
D579,905 S *	11/2008	Kim et al.	D14/138 AD
D580,387 S *	11/2008	Andre et al.	D14/138 G
D580,396 S *	11/2008	Kang	D14/138 G
D597,507 S *	8/2009	Jung et al.	D14/138 AD
D606,506 S *	12/2009	Choi et al.	D14/138 AD
D610,568 S *	2/2010	Yu	D14/203.7
D618,649 S *	6/2010	Park et al.	D14/138 G
D619,555 S *	7/2010	Yang et al.	D14/138 G
D624,519 S *	9/2010	Shen et al.	D14/138 AD
D626,937 S *	11/2010	Yeo et al.	D14/203.7
D628,975 S *	12/2010	Jang	D14/138 G
D629,781 S *	12/2010	Song et al.	D14/138 G
D629,799 S *	12/2010	Andre et al.	D14/341
D631,458 S *	1/2011	Liao et al.	D14/138 G
D639,764 S *	6/2011	Lee	D14/138 AD
D645,014 S *	9/2011	Chung	D14/138 G
D645,015 S *	9/2011	Lee et al.	D14/138 G
D645,017 S *	9/2011	Kim et al.	D14/138 G
2011/0183721 A1 *	7/2011	Hill et al.	455/566

OTHER PUBLICATIONS

Samsung Galaxy Y S5360 telephone, announced Aug. 2011, [online], [site visited Sep. 20, 2011]. Available from Internet, <URL: http://www.gsmarena.com>.*

Samsung Galaxy Xcover telephone, announced Aug. 2011, [online], [site visited Sep. 20, 2011]. Available from Internet, <URL: http://www.gsmarena.com>.*

LG GS390 Prime telephone, announced Oct. 2010, [online], [site visited Sep. 20, 2011]. Available from Internet, <URL: http://www.gsmarena.com>.*

LG GM730 Eigen telephone, announced Feb. 2009, [online], [site visited Sep. 20, 2011]. Available from Internet, <URL: http://www.gsmarena.com>.*

LG GW880 telephone, announced Nov. 2009, [online], [site visited Sep. 20, 2011]. Available from Internet, <URL: http://www.gsmarena.com>.*

Motorola DEXT MB220 telephone, announced Sep. 2009, [online], [site visited Sep. 20, 2011]. Available from Internet, <URL: http://www.gsmarena.com>.*

Verykool i800 telephone, announced 2011, [online], [site visited Sep. 20, 2011]. Available from Internet, <URL: http://www.gsmarena.com>.*

* cited by examiner

Primary Examiner — Jeffrey D Asch

(74) *Attorney, Agent, or Firm* — Jefferson IP Law, LLP

(57) **CLAIM**

The ornamental design for waterproof mobile phone, as shown and described.

DESCRIPTION

FIG. 1 is a perspective view of waterproof mobile phone, showing a new design;

FIG. 2 is a front elevational view thereof;

FIG. 3 is a rear elevational view thereof;

FIG. 4 is a left side elevational view thereof;

FIG. 5 is a right side elevational view thereof;

FIG. 6 is a top plan view thereof; and,

FIG. 7 is a bottom plan view thereof.

1 Claim, 7 Drawing Sheets

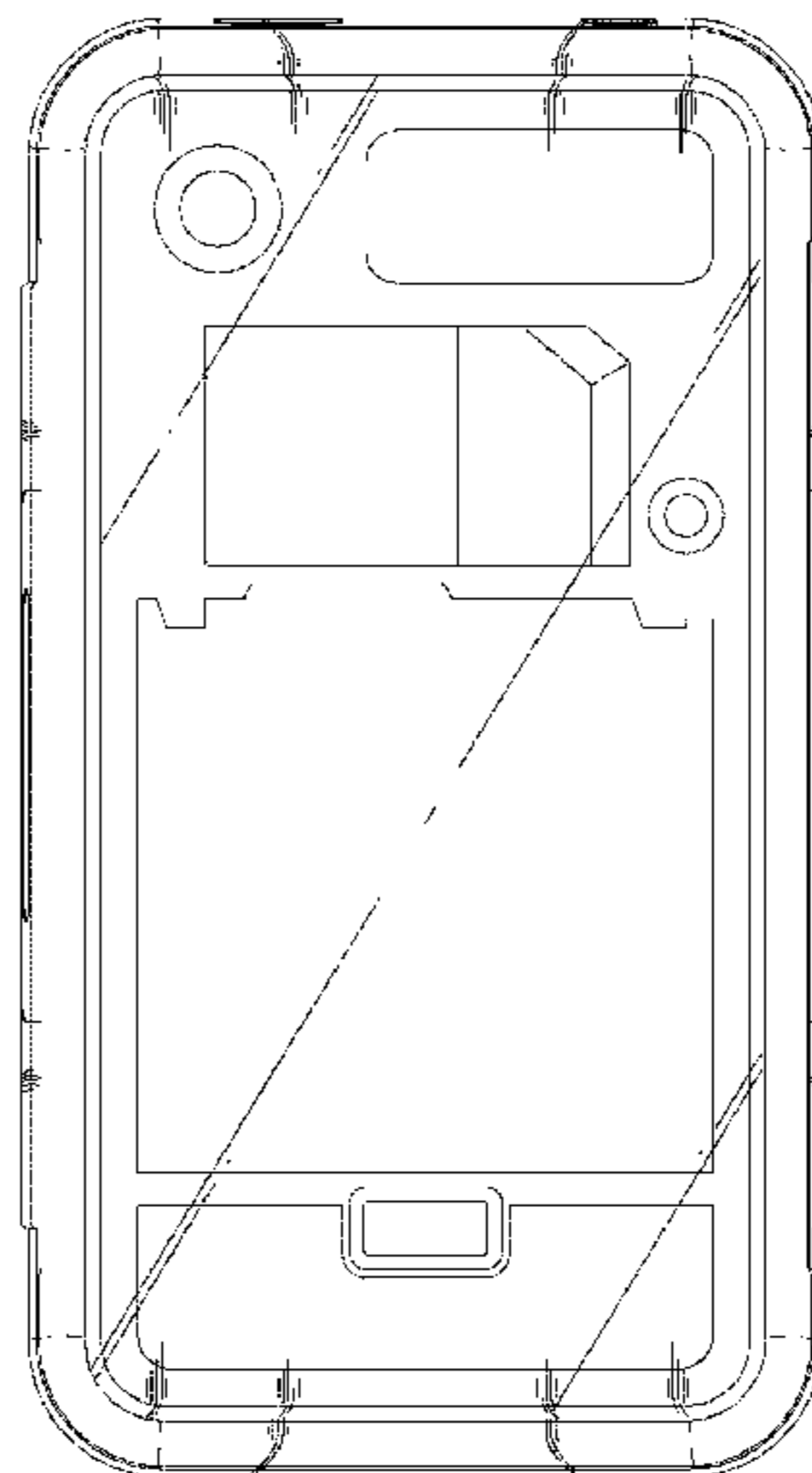
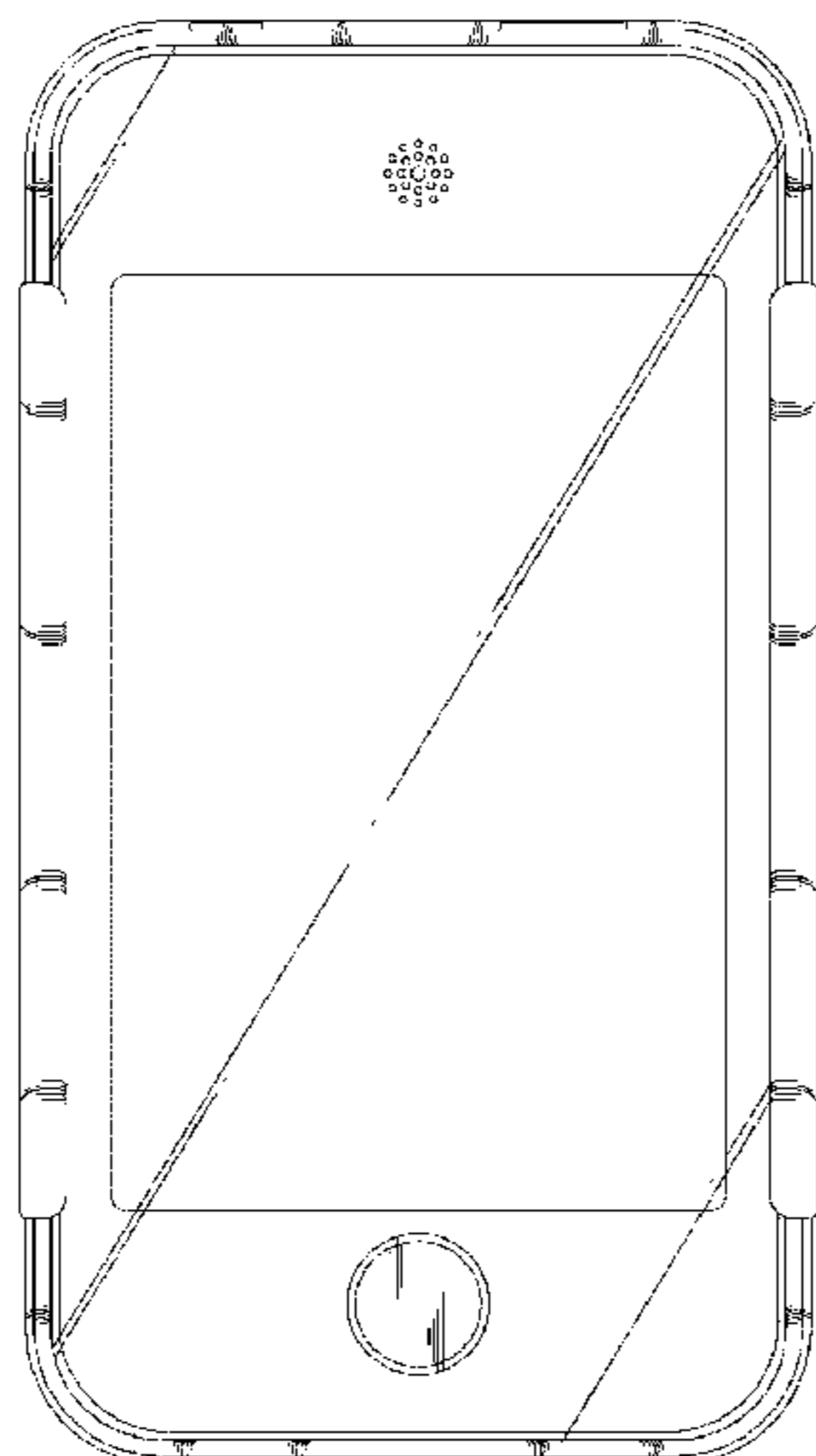


FIG. 1

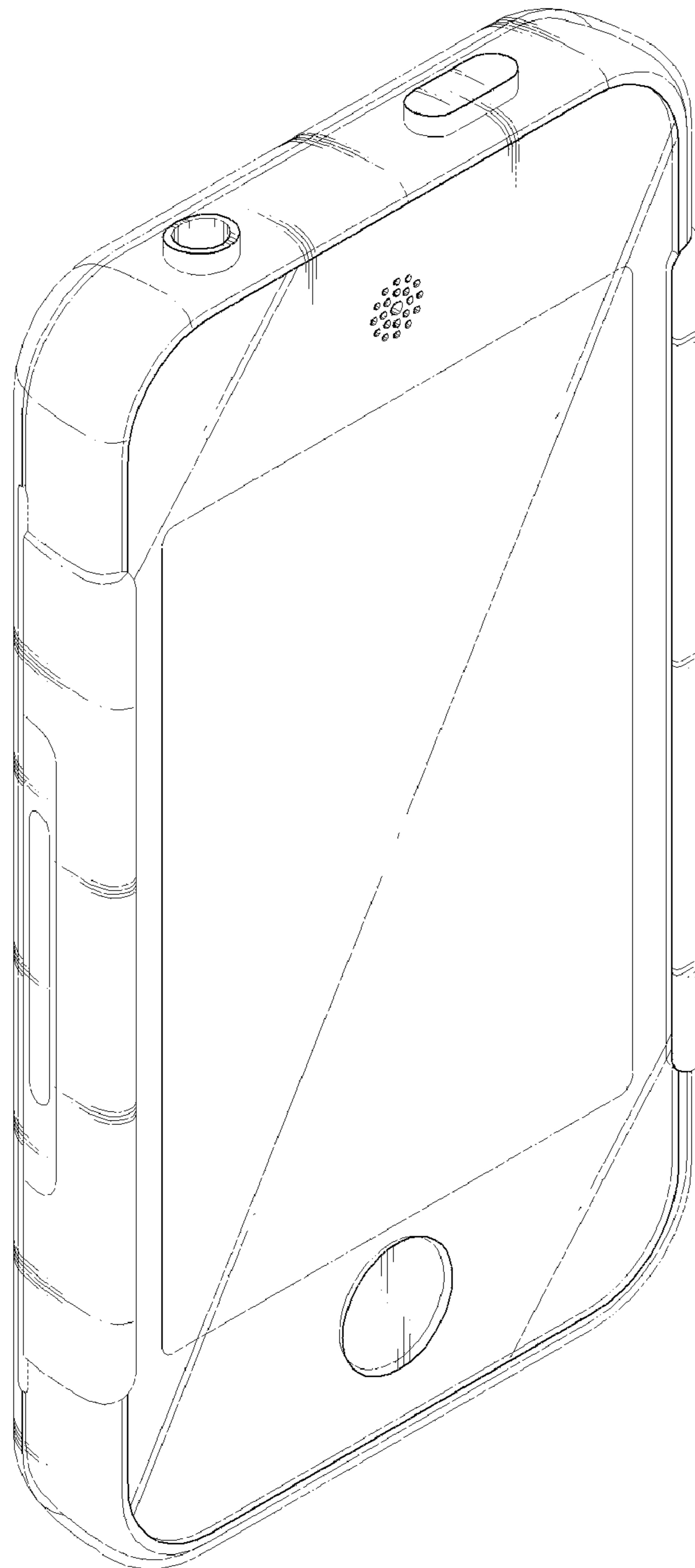


FIG. 2

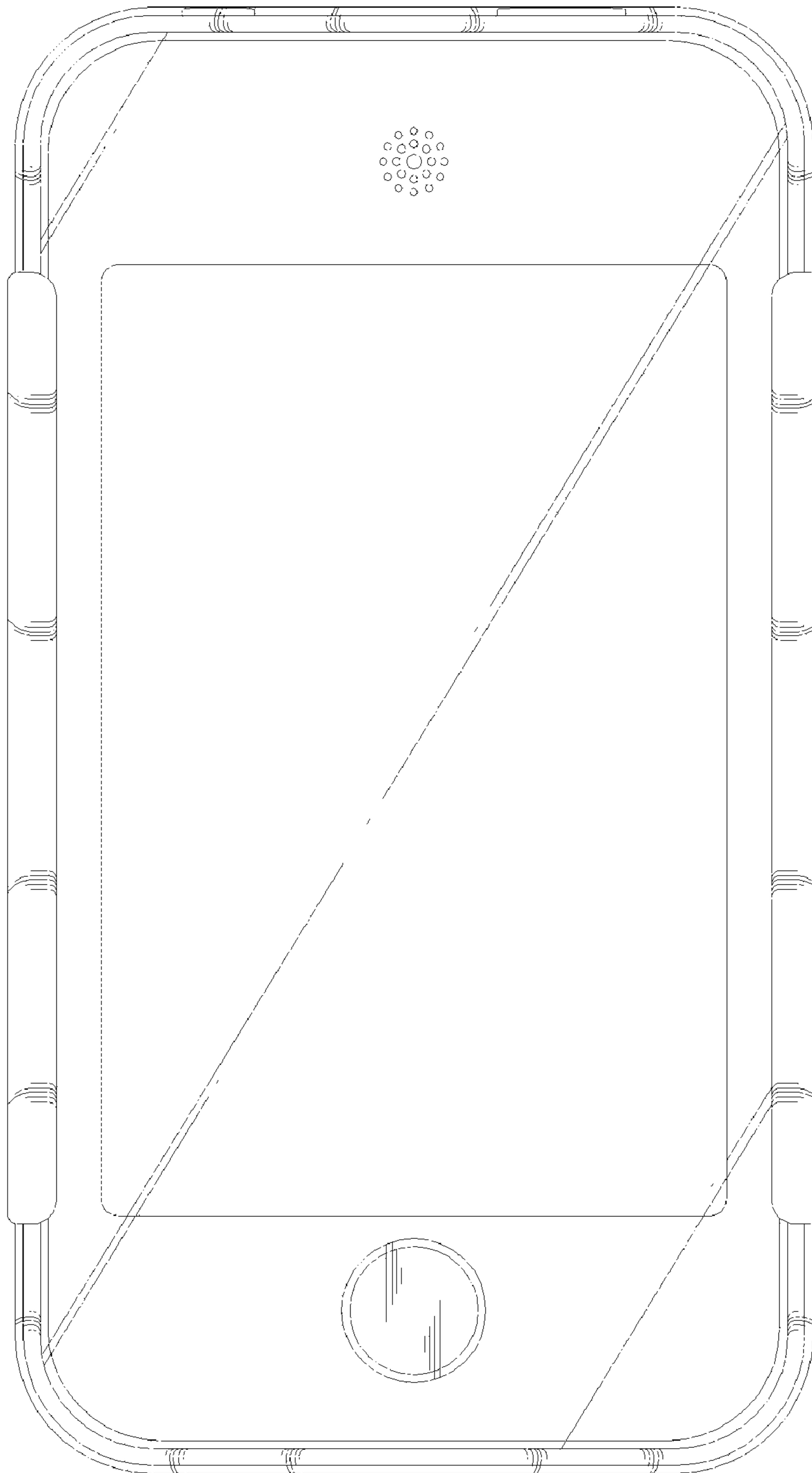


FIG. 3

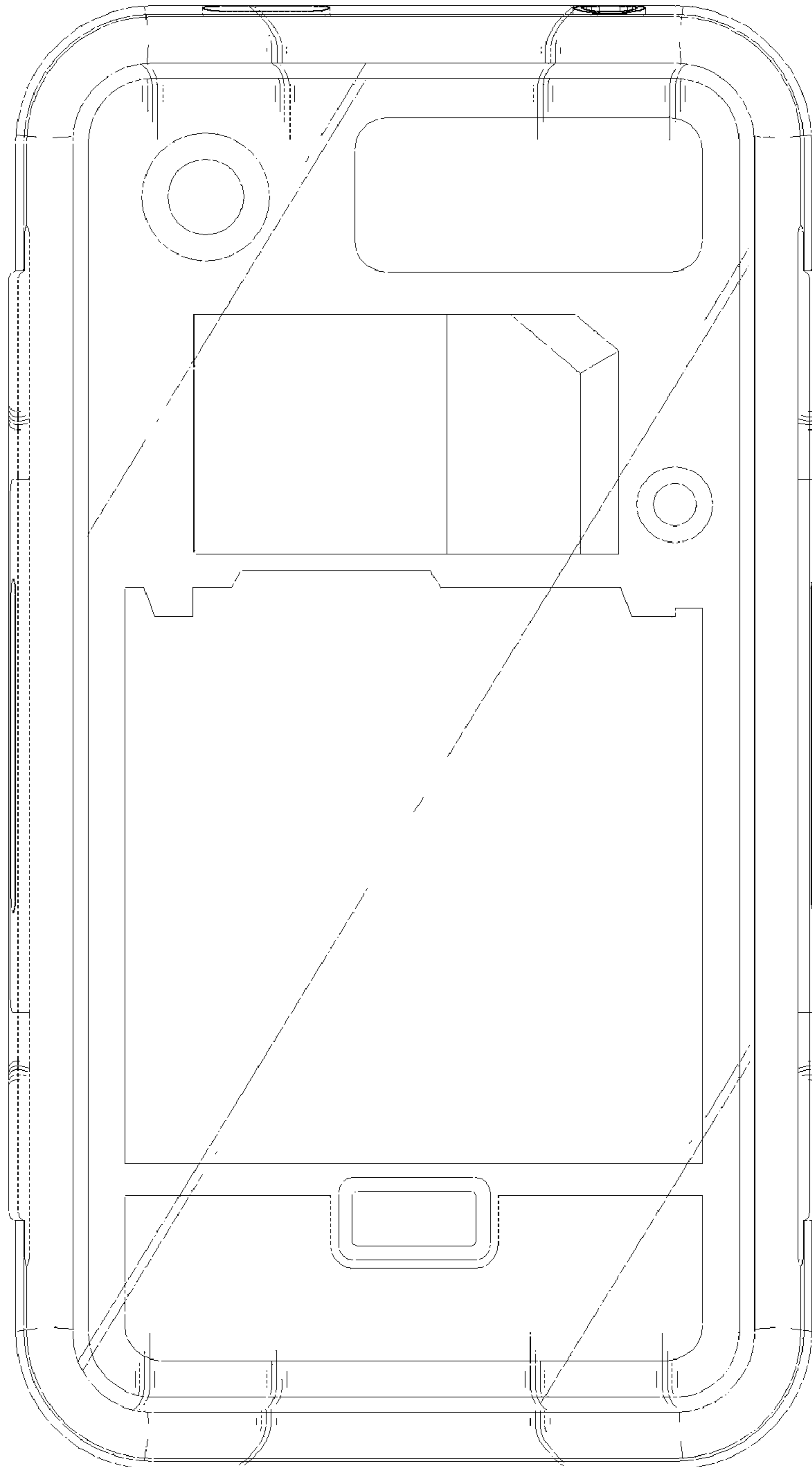


FIG. 4

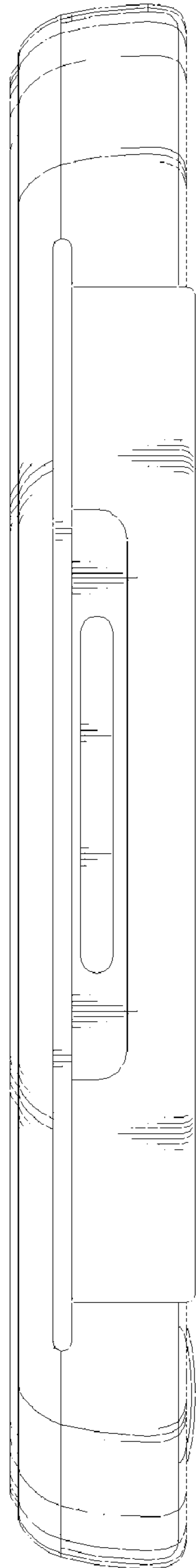


FIG. 5

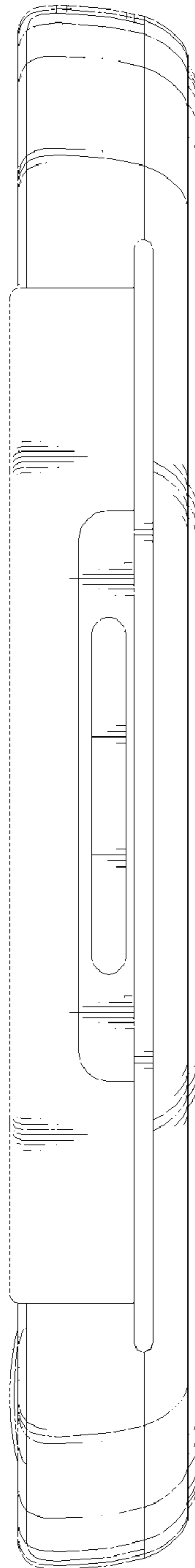


FIG. 6

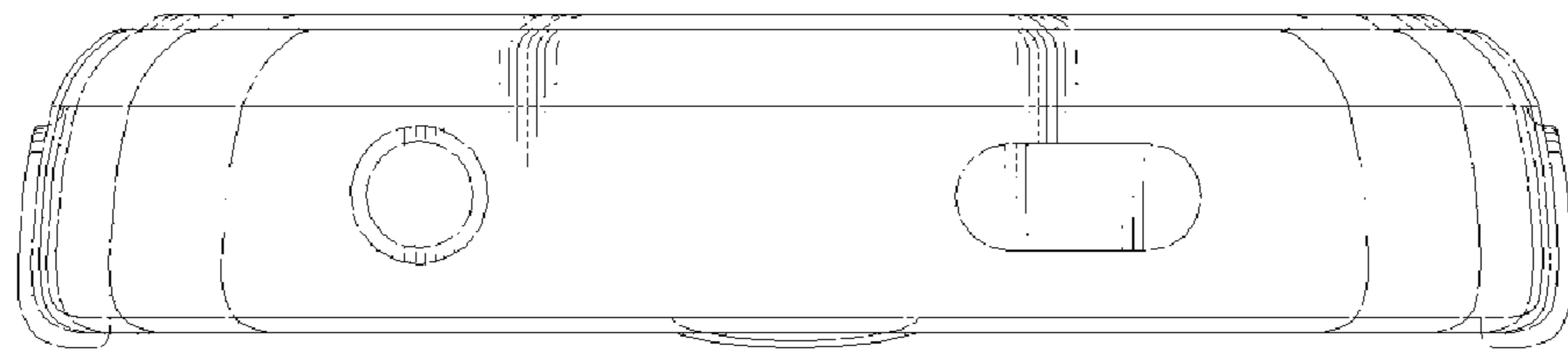


FIG. 7

