



US00D653633S

(12) **United States Design Patent**
Soyano

(10) **Patent No.:** **US D653,633 S**
(45) **Date of Patent:** **** Feb. 7, 2012**

(54) **SEMICONDUCTOR**

(75) Inventor: **Shin Soyano**, Kanagawa (JP)

(73) Assignee: **Fuji Electric Co., Ltd.**, Kanagawa (JP)

(**) Term: **14 Years**

(21) Appl. No.: **29/390,540**

(22) Filed: **Apr. 26, 2011**

(30) **Foreign Application Priority Data**

Dec. 14, 2010 (JP) D2010-029735

(51) **LOC (9) Cl.** **13-03**

(52) **U.S. Cl.** **D13/182**

(58) **Field of Classification Search** D13/110,
D13/182; 257/690; 361/713, 728, 736, 775
See application file for complete search history.

(56) **References Cited**

U.S. PATENT DOCUMENTS

4,630,174	A *	12/1986	Kaufman	361/713
4,994,902	A *	2/1991	Okahashi et al.	257/665
D357,672	S *	4/1995	Terasawa et al.	D13/182
D389,808	S *	1/1998	Yamada et al.	D13/182
5,761,040	A *	6/1998	Iwasa et al.	361/704
D396,450	S *	7/1998	Nishiura et al.	D13/182
6,078,501	A *	6/2000	Catrambone et al.	361/704
6,521,983	B1 *	2/2003	Yoshimatsu et al.	257/678
D476,959	S *	7/2003	Yamada et al.	D13/182
6,720,783	B2 *	4/2004	Satoh et al.	324/754.08

7,425,757	B2 *	9/2008	Takubo	257/678
D587,662	S *	3/2009	Soutome et al.	D13/182
D589,012	S *	3/2009	Soyano et al.	D13/182
D606,951	S	12/2009	Soyano et al.		
7,626,256	B2 *	12/2009	Gobl et al.	257/691
7,667,317	B2 *	2/2010	Osanai et al.	257/698
7,768,118	B2 *	8/2010	Yoshida et al.	257/691
7,808,100	B2 *	10/2010	Bayerer	257/719
2001/0038143	A1 *	11/2001	Sonobe et al.	257/690
2002/0093352	A1 *	7/2002	Min et al.	324/754
2011/0044012	A1 *	2/2011	Matsumoto	361/728

* cited by examiner

Primary Examiner — Selina Sikder

(74) *Attorney, Agent, or Firm* — Young & Thompson

(57) **CLAIM**

The ornamental design for a semiconductor, as shown and described.

DESCRIPTION

FIG. 1 is a perspective view of front, top plan and right side of a semiconductor showing our new design;

FIG. 2 is a front view thereof;

FIG. 3 is a rear view thereof;

FIG. 4 is a top plan view thereof;

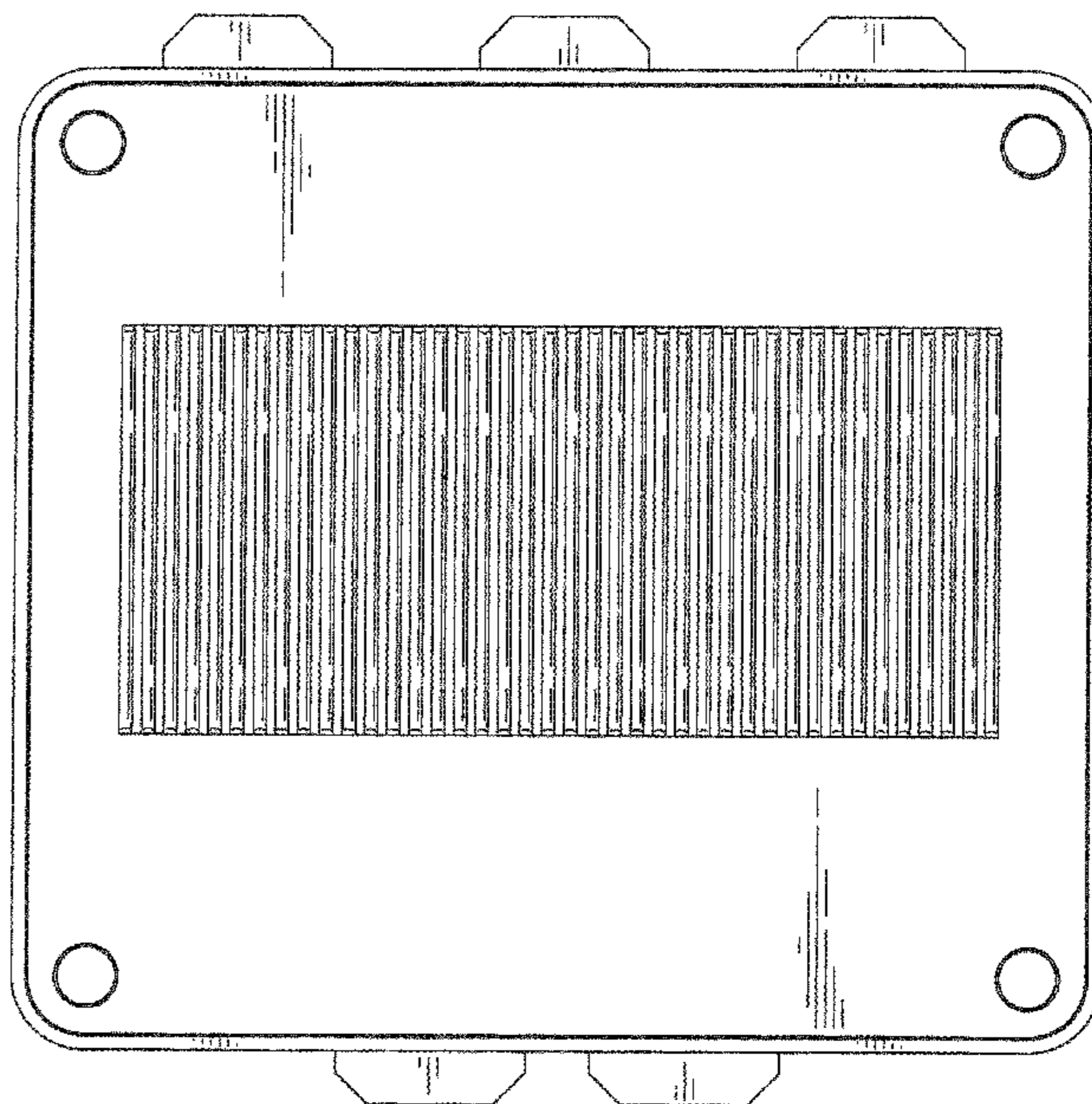
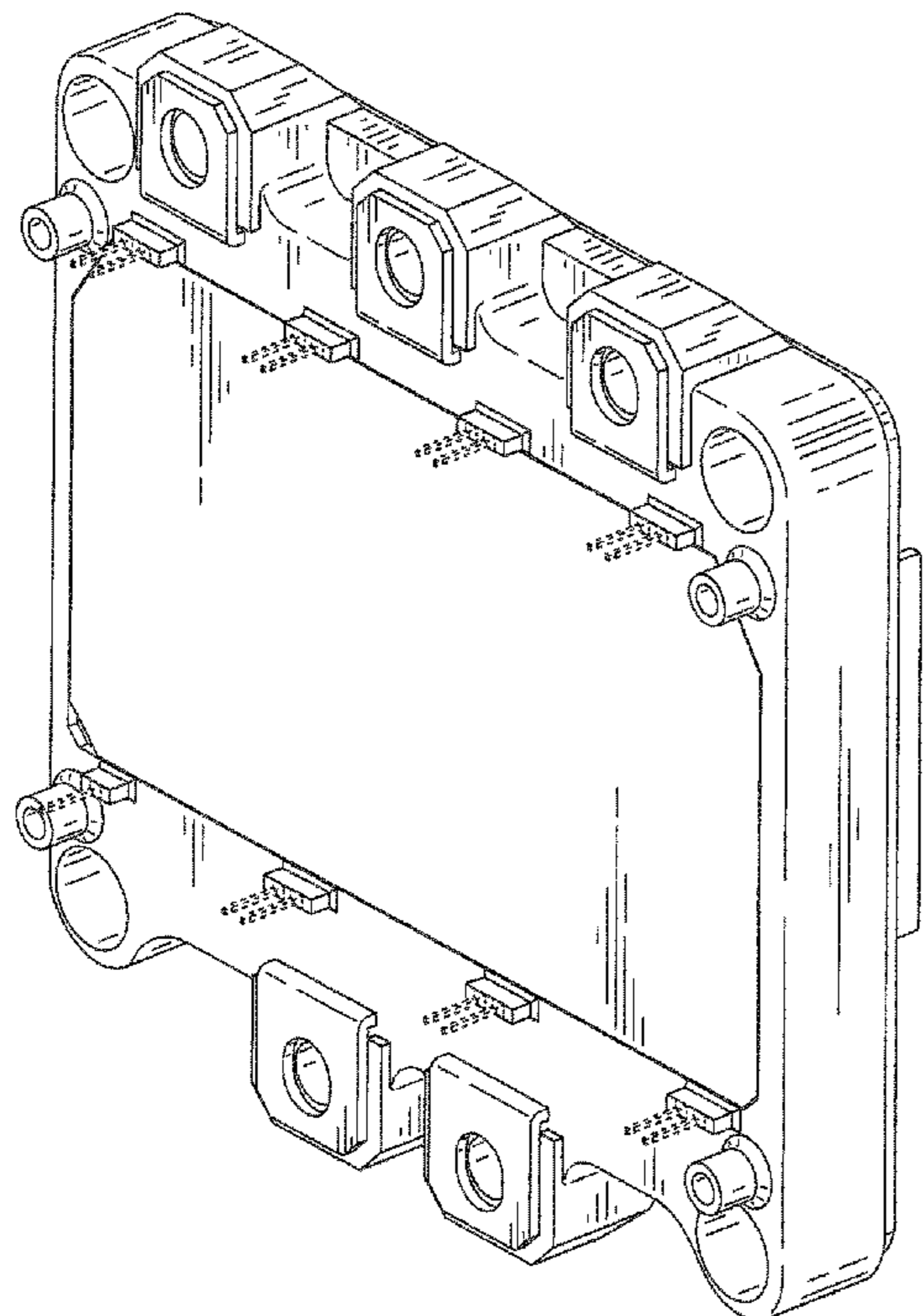
FIG. 5 is a bottom view thereof;

FIG. 6 is a left side view thereof; and,

FIG. 7 is a right side view thereof.

The portions of the article in broken lines are shown for illustrative purposes only and form no part of the claimed design.

1 Claim, 5 Drawing Sheets



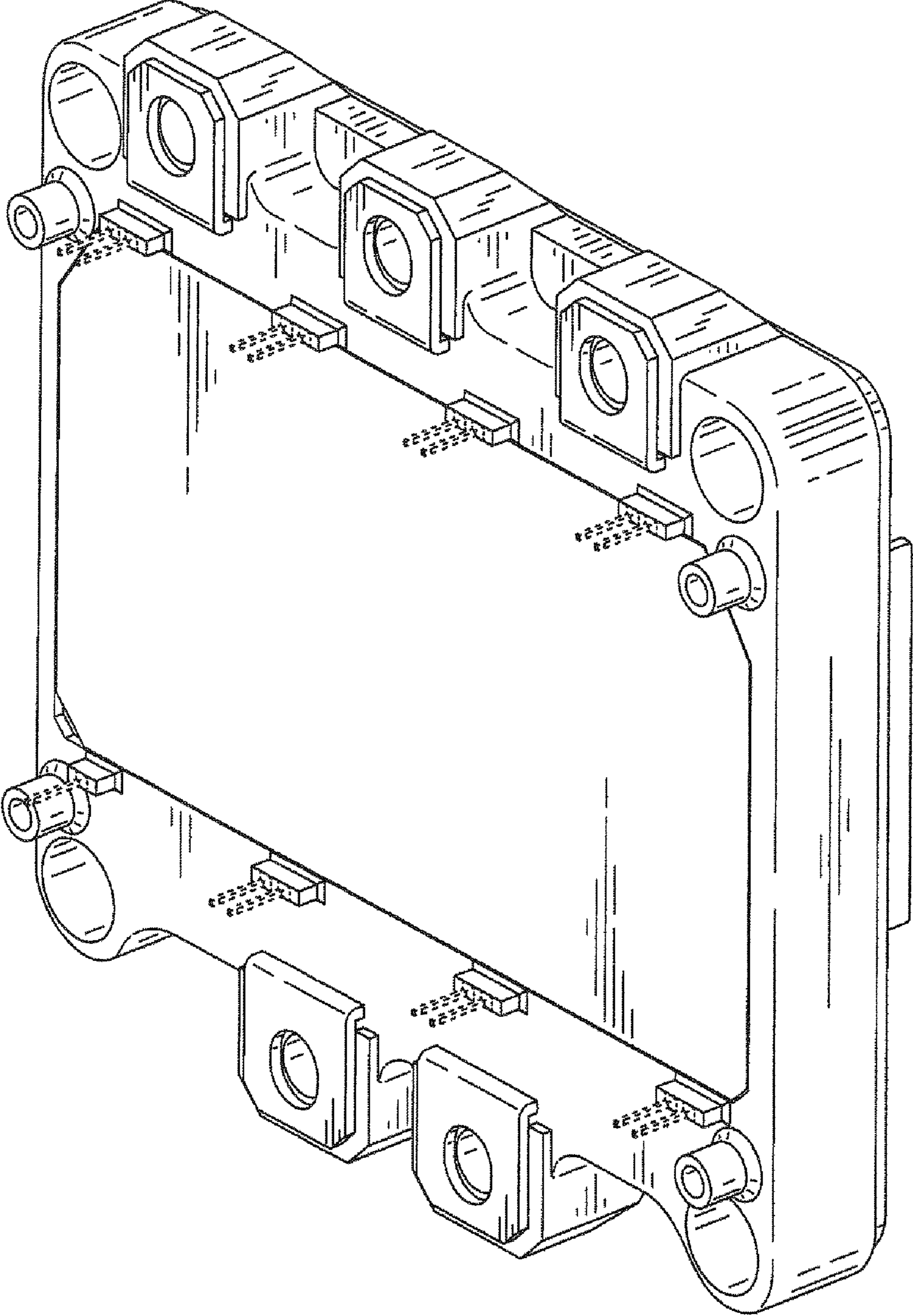


FIG. 1

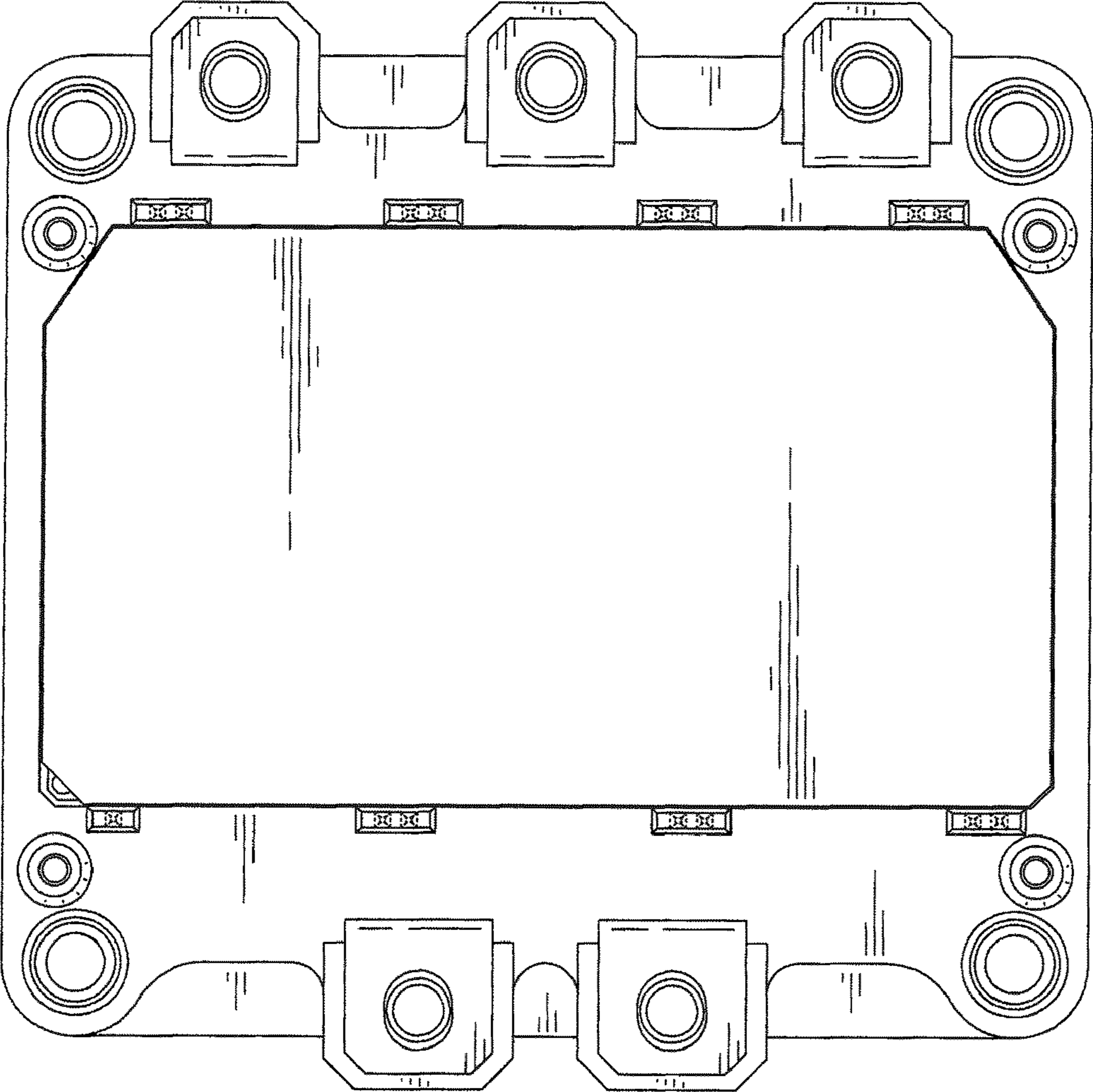


FIG. 2

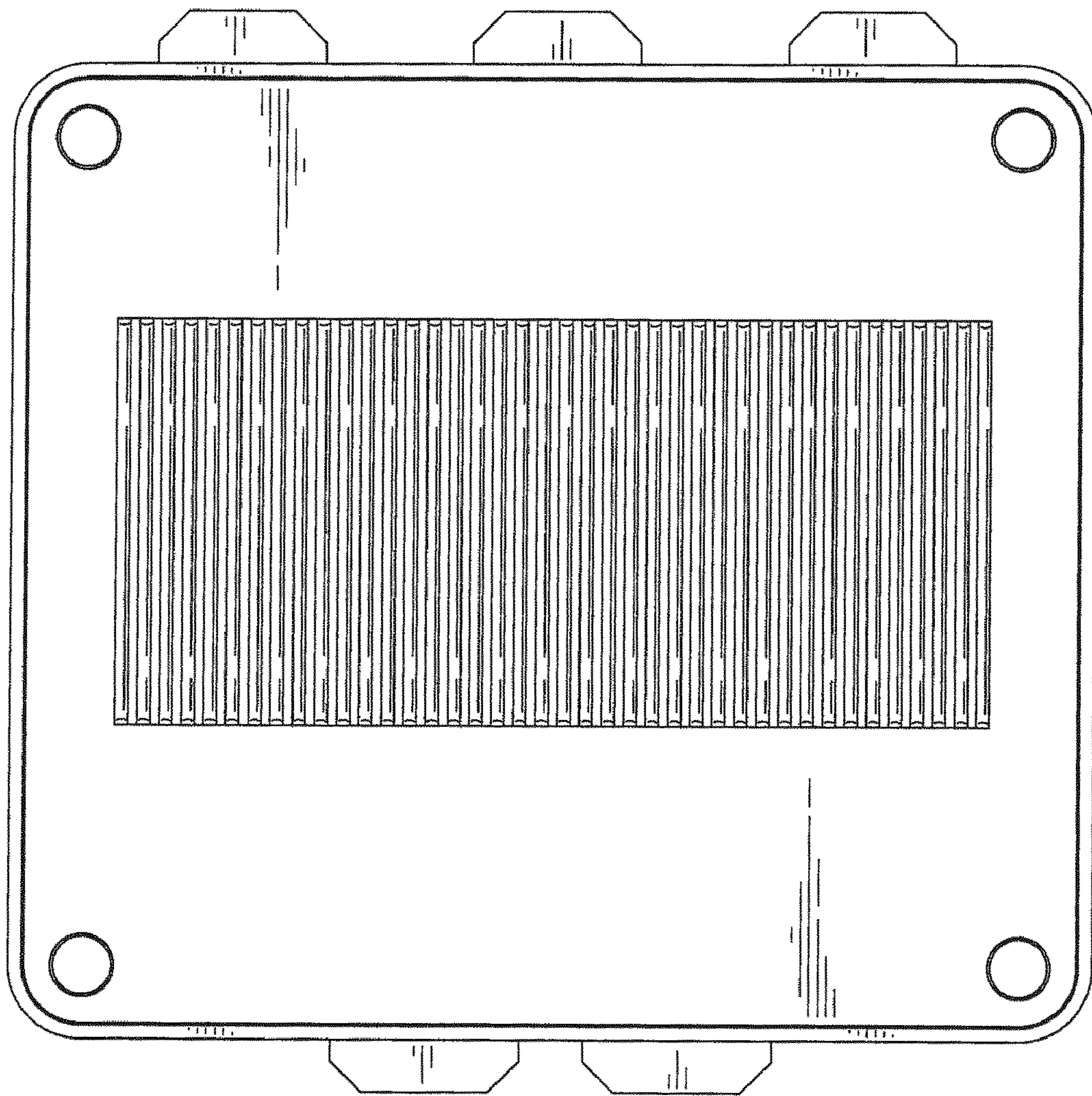


FIG. 3

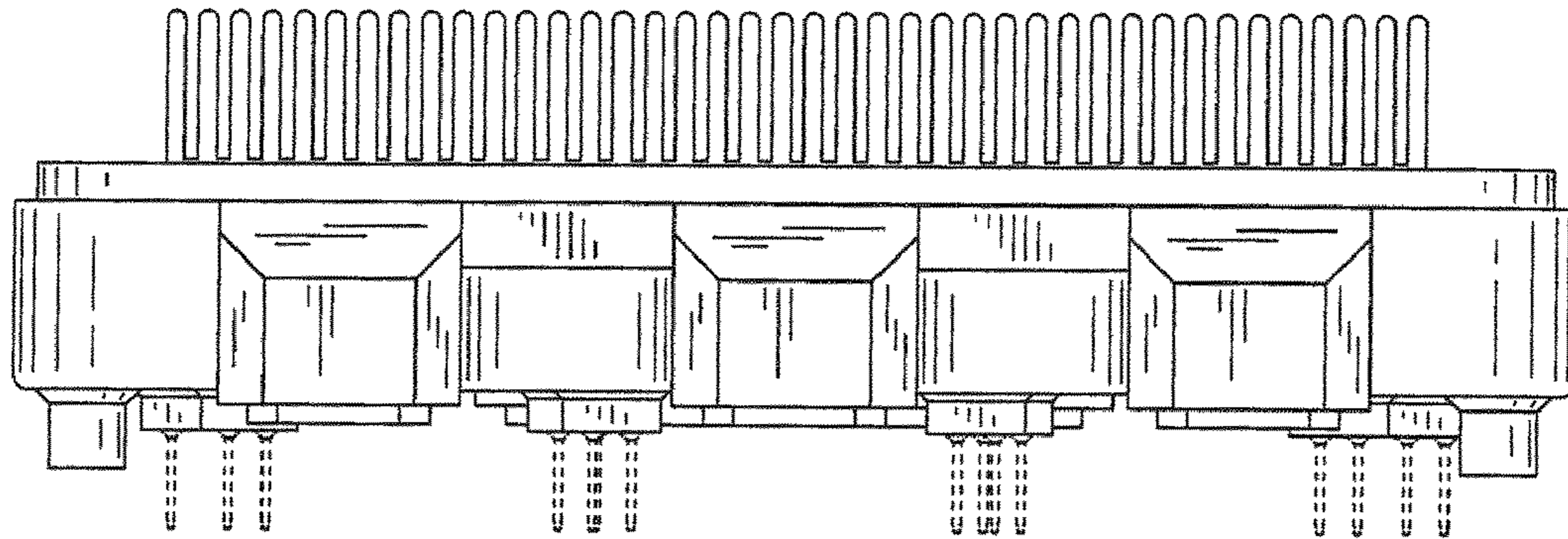


FIG. 4

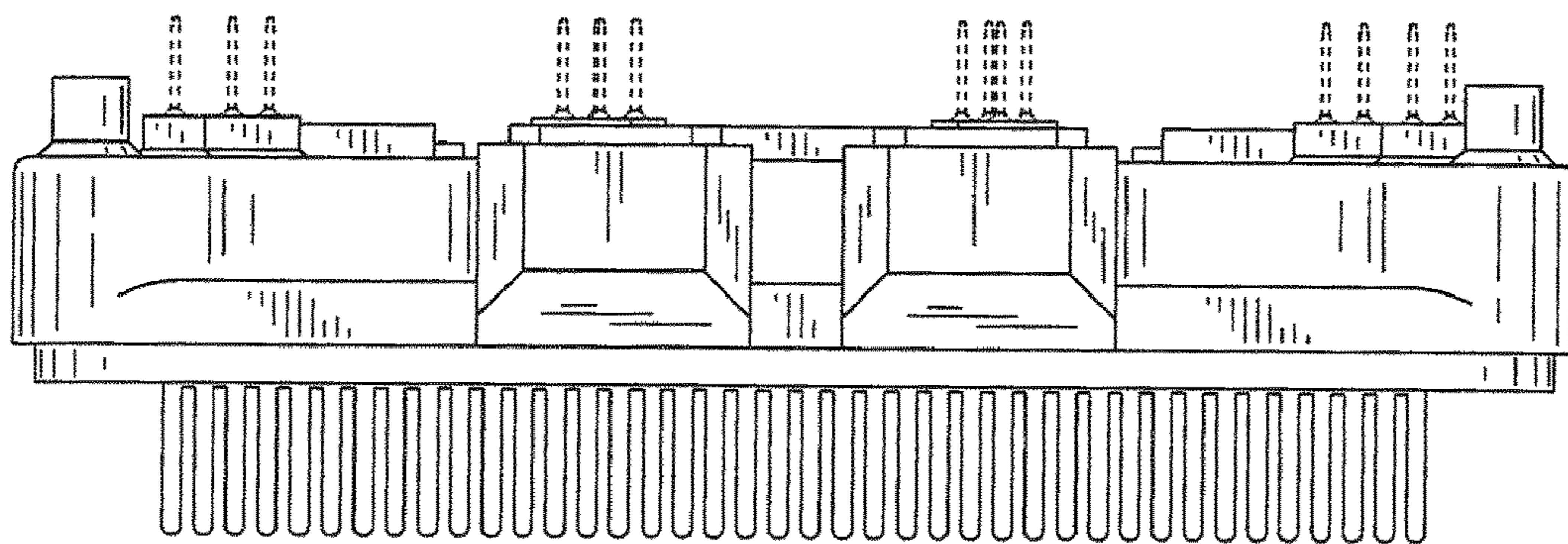


FIG. 5

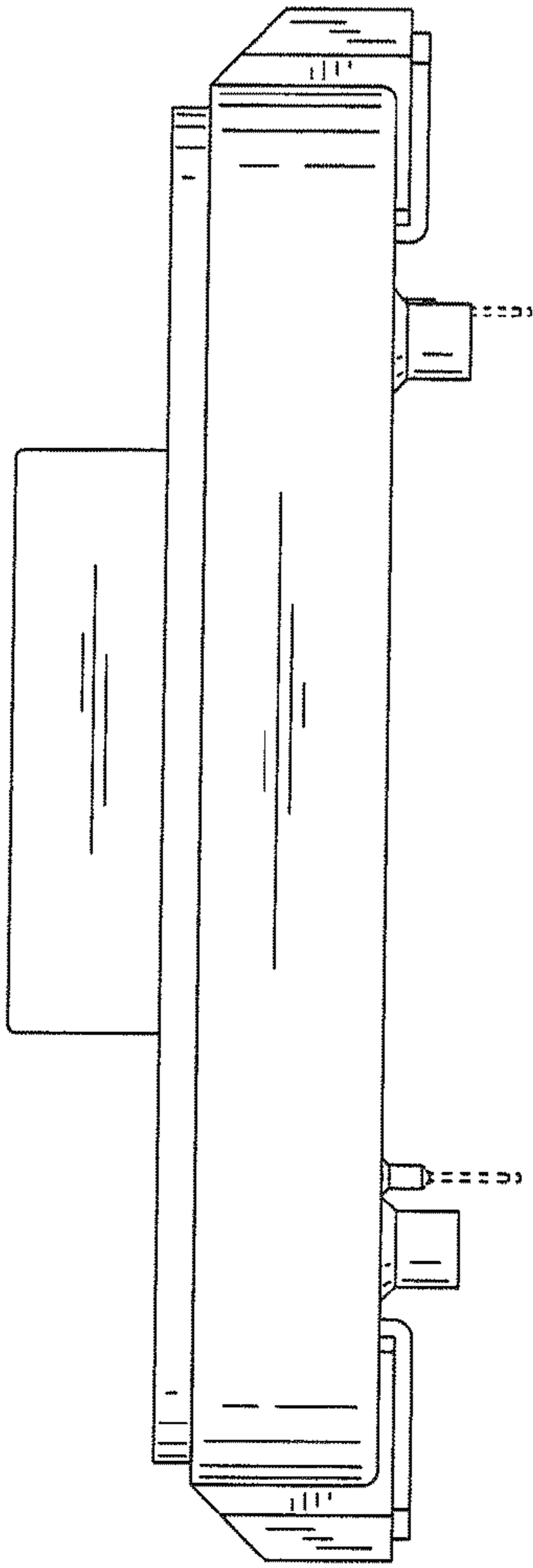


FIG. 6

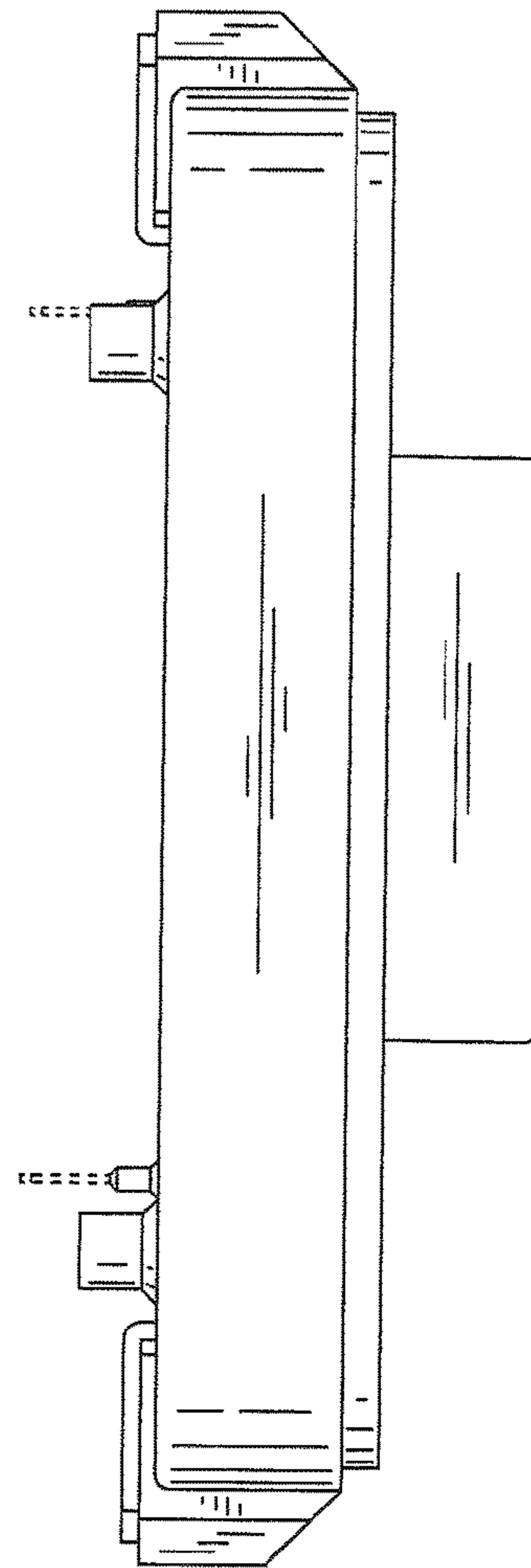


FIG. 7