

US00D653630S

(12) **United States Design Patent**  
**Liu**

(10) **Patent No.:** **US D653,630 S**

(45) **Date of Patent:** **\*\* Feb. 7, 2012**

(54) **LIGHT EMITTING DIODE DEVICE**

(75) Inventor: **Wen-Huang Liu**, Hsinchu (TW)

(73) Assignee: **Semileds Optoelectronics Co., Ltd.**  
(TW)

(\*\*) Term: **14 Years**

(21) Appl. No.: **29/390,317**

(22) Filed: **Apr. 22, 2011**

(30) **Foreign Application Priority Data**

Feb. 21, 2011 (TW) ..... 100300777

(51) **LOC (9) Cl.** ..... **13-03**

(52) **U.S. Cl.** ..... **D13/180**

(58) **Field of Classification Search** ..... D13/180;  
D26/1, 2; 257/79, 80, 81, 88, 89, 95, 98,  
257/99, 100, E33.058; 313/483, 498, 500;  
362/555, 800

See application file for complete search history.

(56) **References Cited**

**U.S. PATENT DOCUMENTS**

D599,748 S *	9/2009	Liu	.....	D13/180
D602,450 S *	10/2009	Edmond et al.	.....	D13/180
D619,976 S *	7/2010	Liu et al.	.....	D13/180
D620,460 S *	7/2010	Liu	.....	D13/180
D620,897 S *	8/2010	Shan et al.	.....	D13/180
D627,747 S *	11/2010	Chu et al.	.....	D13/180

D631,017 S *	1/2011	Arazoe et al.	.....	D13/180
D631,018 S *	1/2011	Arazoe et al.	.....	D13/180
D638,377 S *	5/2011	Yan et al.	.....	D13/180
D645,008 S *	9/2011	Shan et al.	.....	D13/180
2010/0025718 A1*	2/2010	Shi	.....	257/99
2011/0210345 A1*	9/2011	Lim et al.	.....	257/88

\* cited by examiner

*Primary Examiner* — Selina Sikder

(74) *Attorney, Agent, or Firm* — Martine Penilla Group, LLP

(57) **CLAIM**

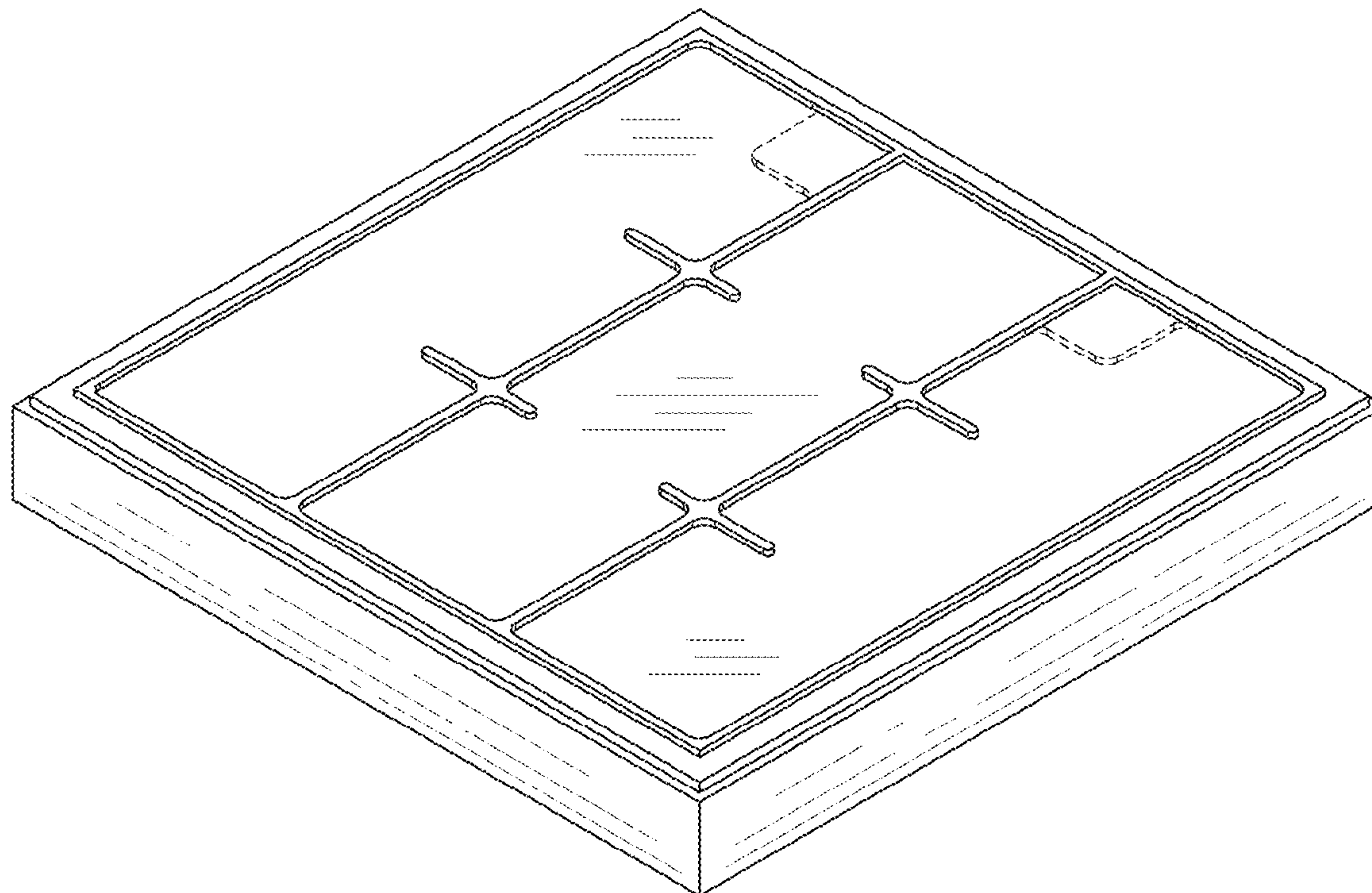
The ornamental design for a light emitting diode device, as shown and described.

**DESCRIPTION**

FIG. 1 is a perspective view of a light emitting diode device showing my new design;  
 FIG. 2 is a top plan view thereof;  
 FIG. 3 is a bottom plan view thereof;  
 FIG. 4 is a front elevational view thereof;  
 FIG. 5 is a rear elevational view thereof;  
 FIG. 6 is a left-side elevational view thereof;  
 FIG. 7 is a right-side elevational view thereof;  
 FIG. 8 is a cross-sectional view thereof, taken along line 8-8 in FIG. 2; and,  
 FIG. 9 is a cross-sectional view thereof, taken along line 9-9 in FIG. 2.

It will be understood that the dash lines presented in the drawings are for illustration only, and do not form a part of the claimed design.

**1 Claim, 5 Drawing Sheets**



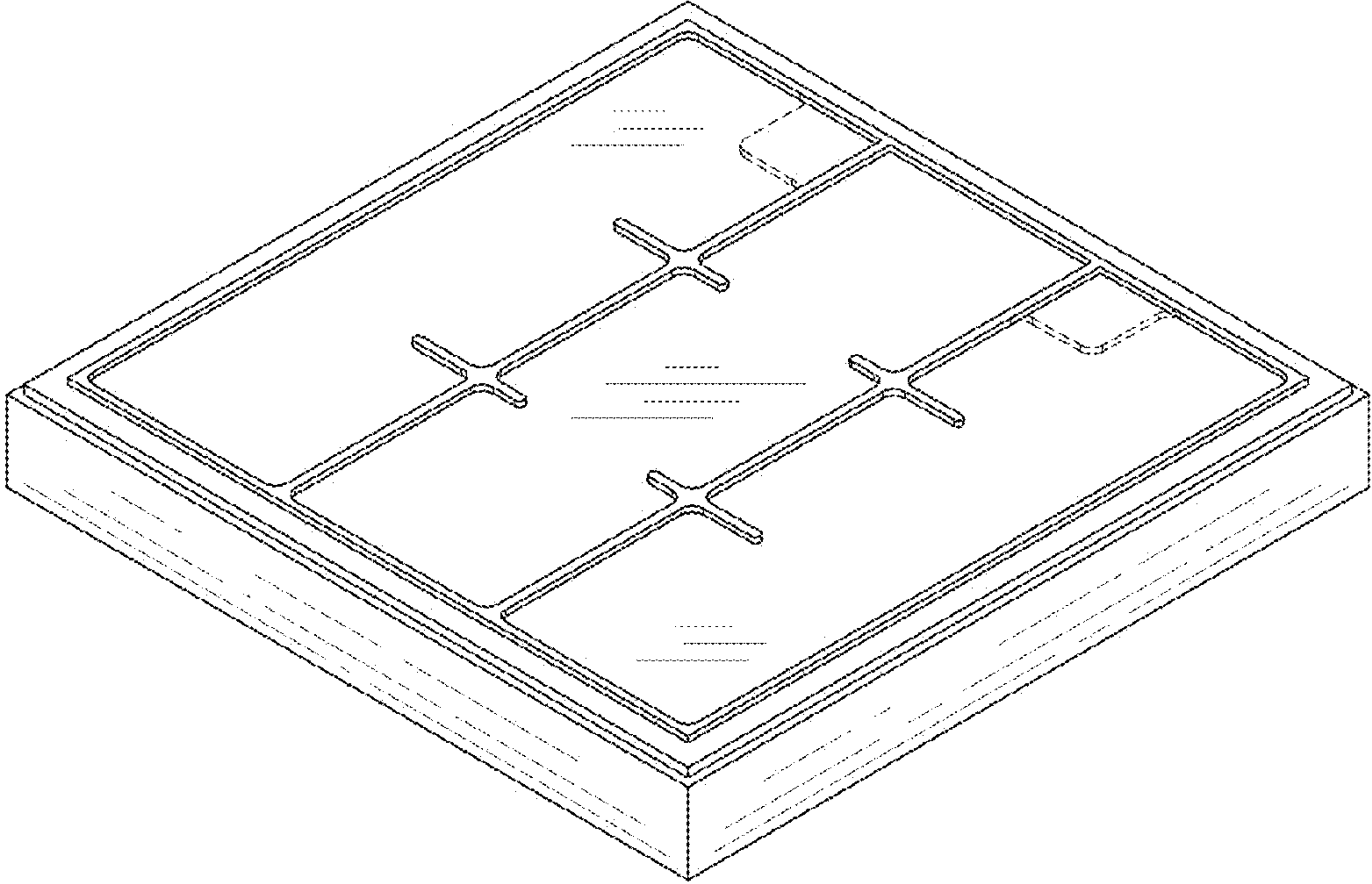


FIG. 1

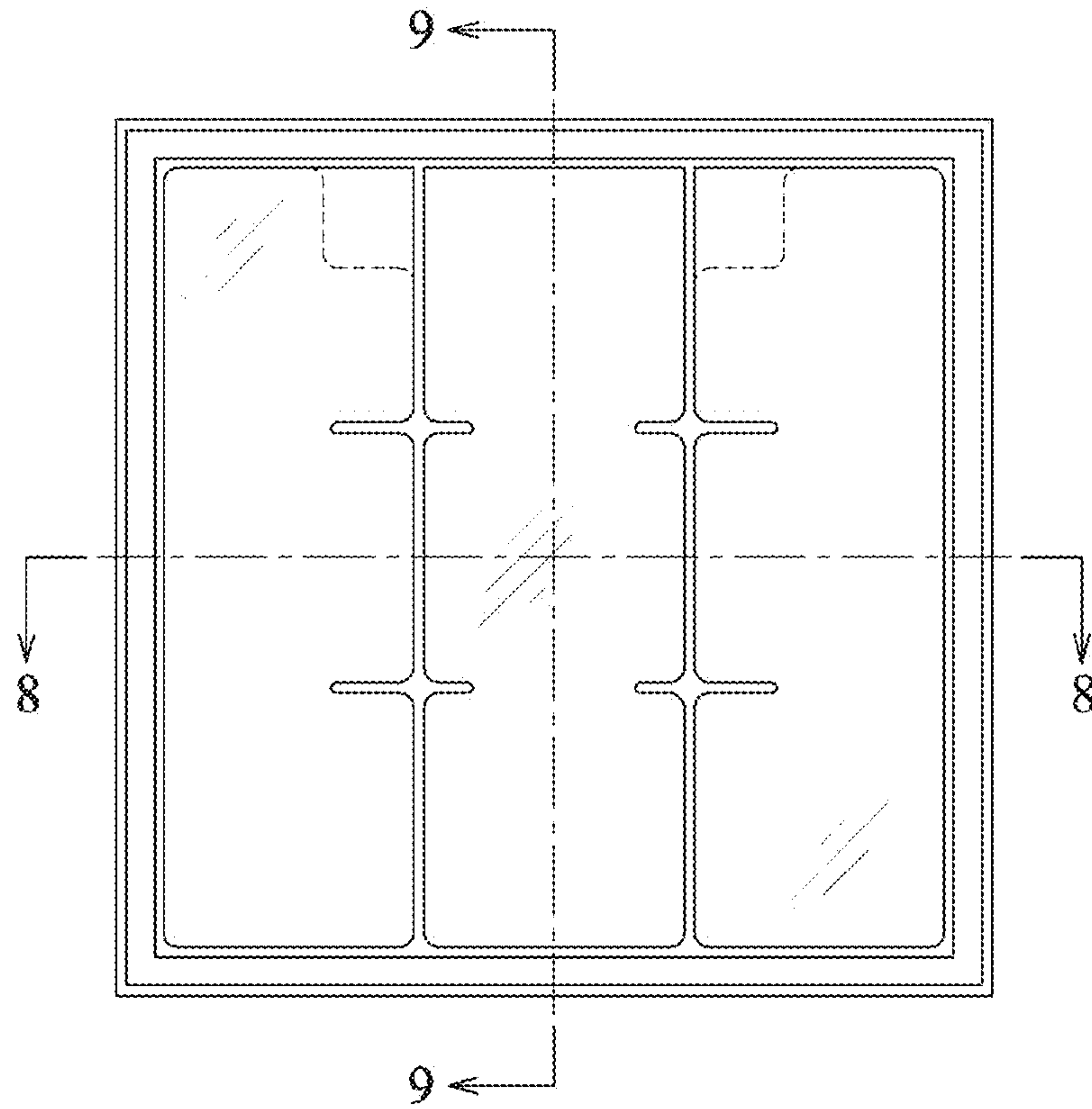


FIG. 2

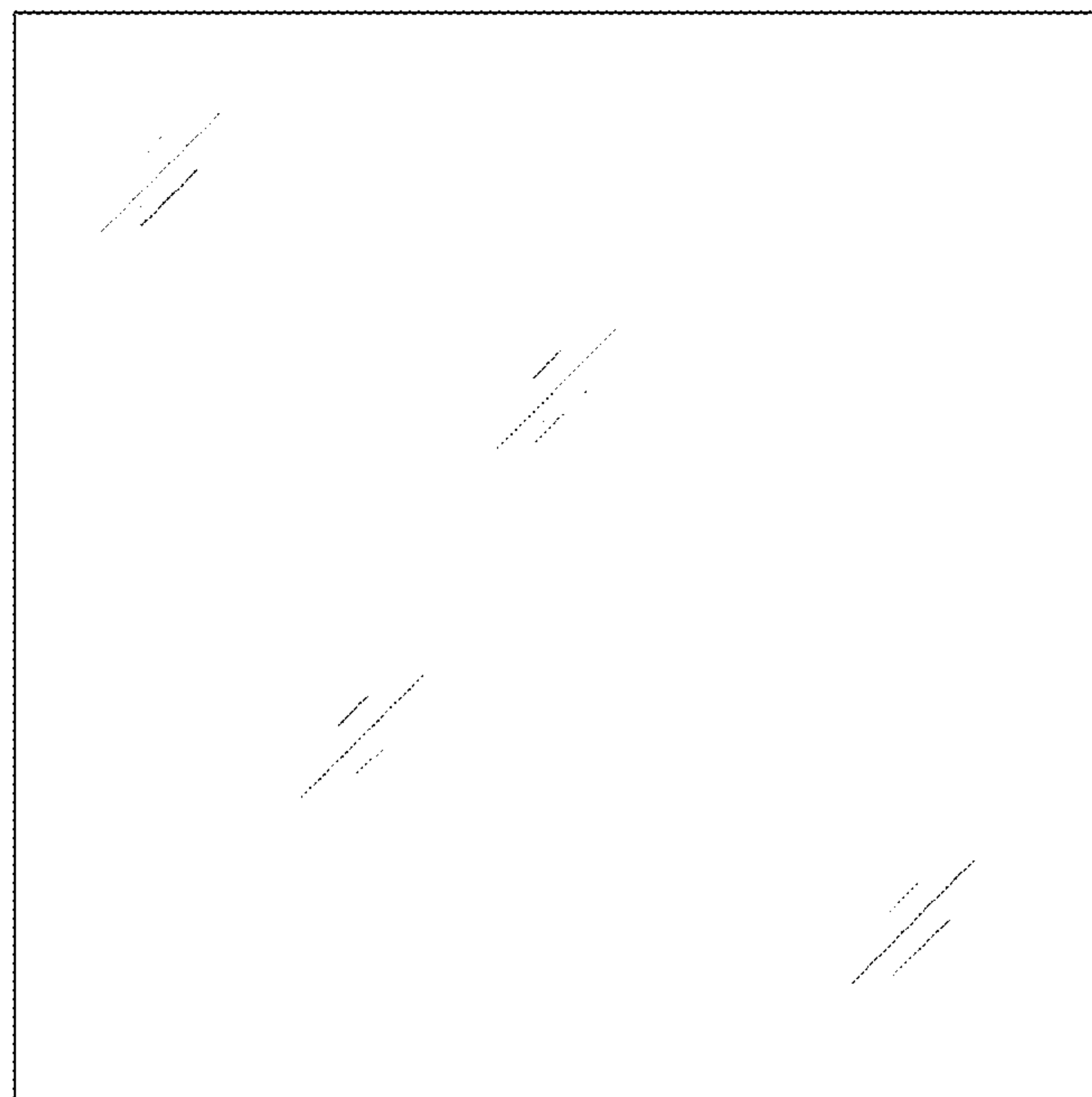


FIG. 3

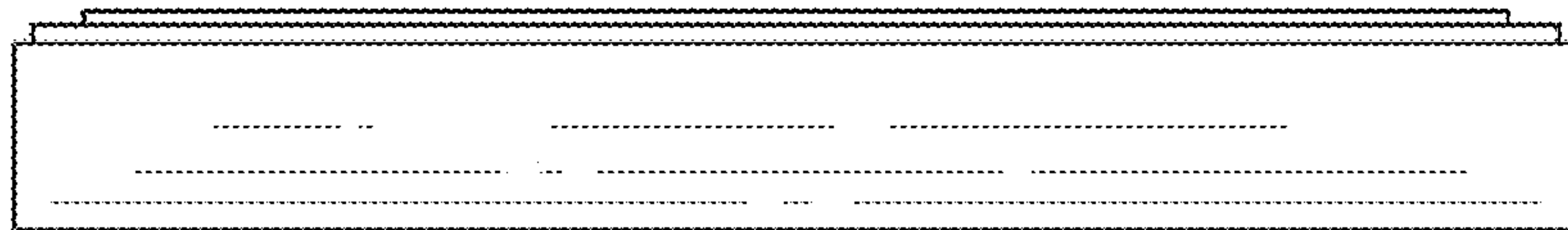


FIG. 4

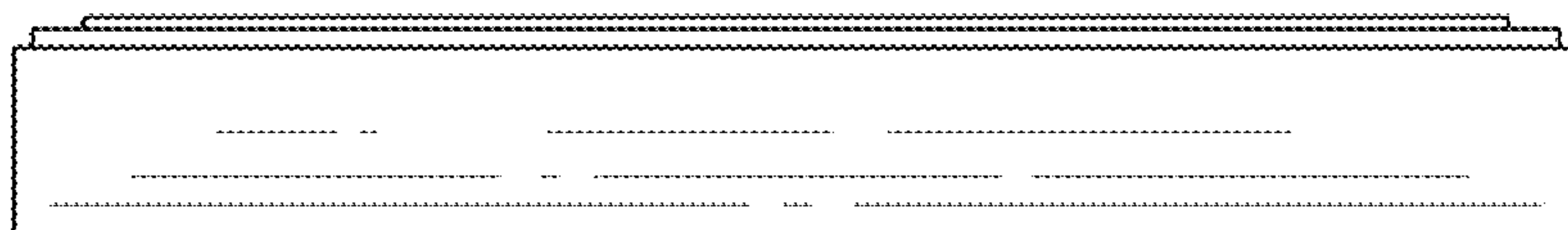


FIG. 5

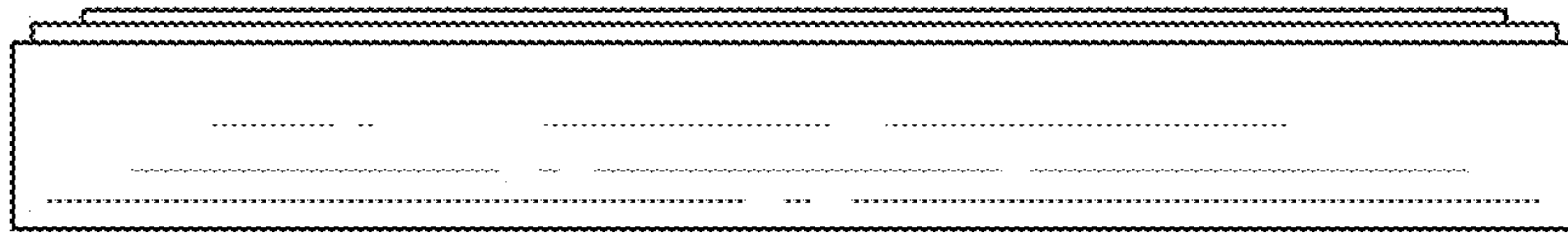


FIG. 6

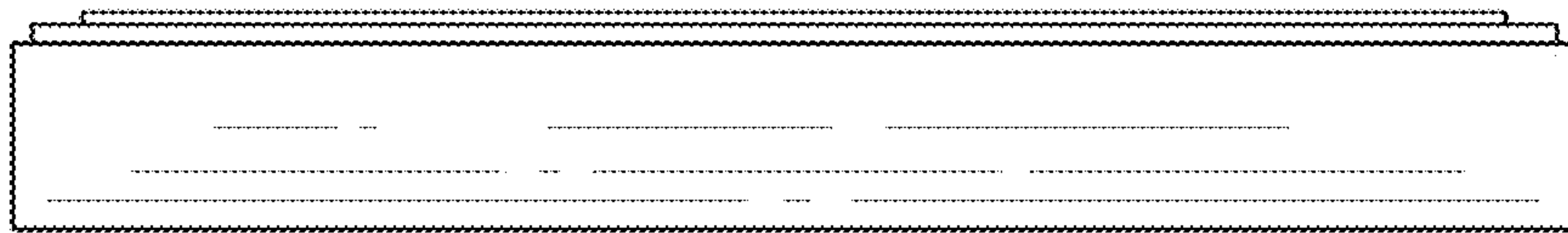


FIG. 7



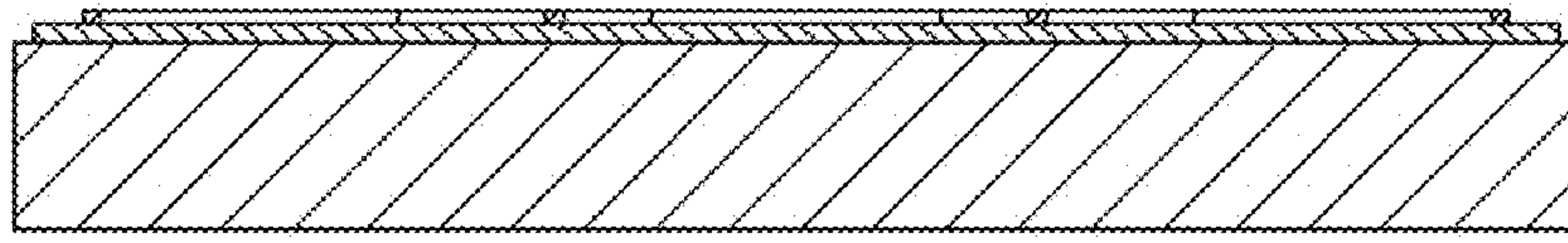


FIG. 8

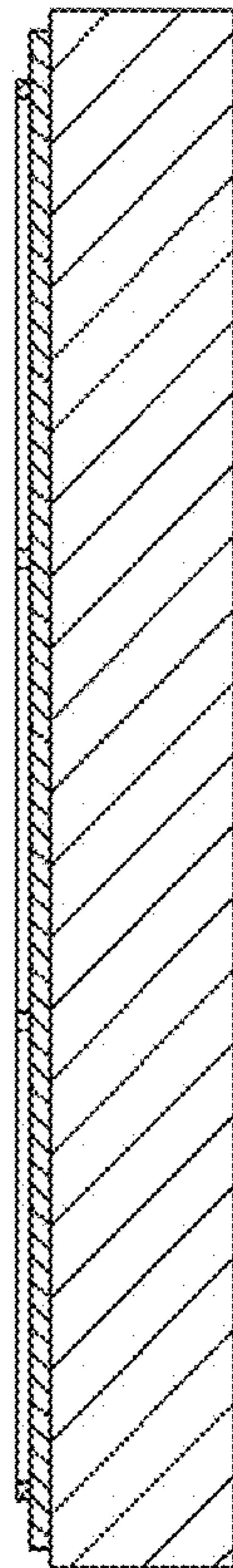


FIG. 9