



US00D653629S

(12) **United States Design Patent**
Miyashita

(10) **Patent No.:** **US D653,629 S**

(45) **Date of Patent:** **** Feb. 7, 2012**

(54) **LIGHT-EMITTING DIODE**

(75) Inventor: **Junji Miyashita**, Fujiyoshida (JP)

(73) Assignees: **Citizen Electronics Co., Ltd.**,
Yamanashi (JP); **Citizen Holdings Co., Ltd.**,
Tokyo (JP)

(**) Term: **14 Years**

(21) Appl. No.: **29/386,814**

(22) Filed: **Mar. 4, 2011**

Related U.S. Application Data

(63) Continuation-in-part of application No. 29/384,652,
filed on Feb. 2, 2011.

(30) **Foreign Application Priority Data**

Aug. 2, 2010 (JP) D2010-018794
Aug. 2, 2010 (JP) D2010-018796

(51) **LOC (9) Cl.** **13-03**

(52) **U.S. Cl.** **D13/180**

(58) **Field of Classification Search** D13/180;
D26/1, 2; 257/79, 80, 81, 88, 89, 95, 98,
257/99, 100, E33.058; 313/483, 498, 500;
362/555, 800

See application file for complete search history.

(56) **References Cited**

U.S. PATENT DOCUMENTS

D574,791 S * 8/2008 Shimozawa D13/180

D576,571 S * 9/2008 Itai D13/180
7,491,977 B2 * 2/2009 Fukasawa 257/98
D601,977 S * 10/2009 Tsuchiya D13/180
D602,884 S * 10/2009 Wada et al. D13/180
D624,886 S * 10/2010 Ni et al. D13/180
7,960,747 B2 * 6/2011 Sakamoto et al. 257/98
7,960,748 B2 * 6/2011 Sakamoto 257/98
2008/0296604 A1 * 12/2008 Chou et al. 257/99

* cited by examiner

Primary Examiner — Selina Sikder

(74) *Attorney, Agent, or Firm* — Browdy and Neimark,
PLLC

(57) **CLAIM**

The ornamental design for a light-emitting diode, as shown
and described here.

DESCRIPTION

FIG. 1 is a perspective view of the light-emitting diode in
accordance with my new design, showing an upper surface
with front and right side surfaces as obliquely viewed from
above;

FIG. 2 is a perspective view thereof, showing a bottom surface
with rear and left side surfaces as obliquely viewed from
above;

FIG. 3 is a front elevation view thereof; the rear elevation
being a mirror image to FIG. 3;

FIG. 4 is a top plan view thereof;

FIG. 5 is a bottom plan view thereof; and,

FIG. 6 is a right side view thereof; the left side being identical
to FIG. 6.

1 Claim, 4 Drawing Sheets

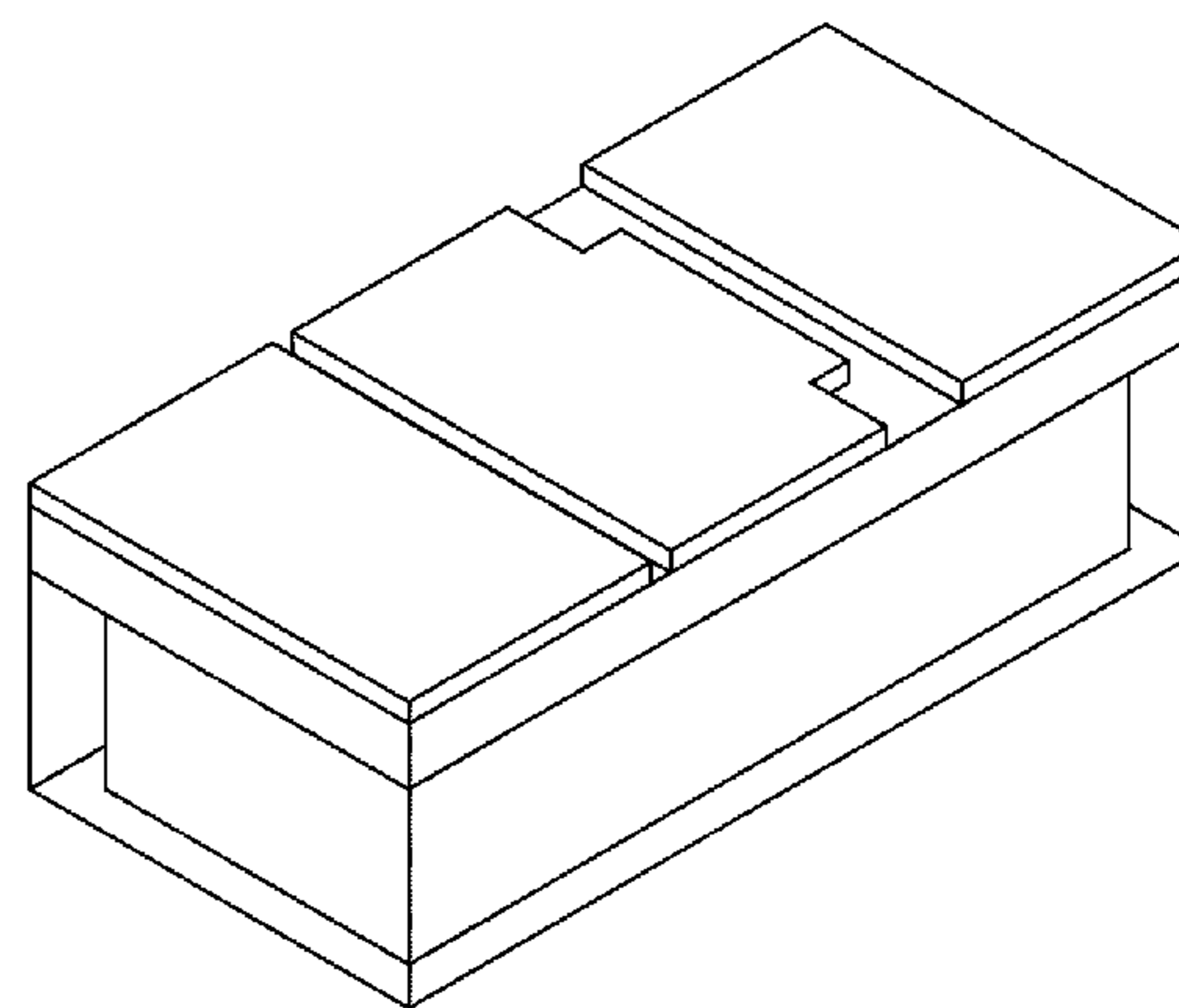
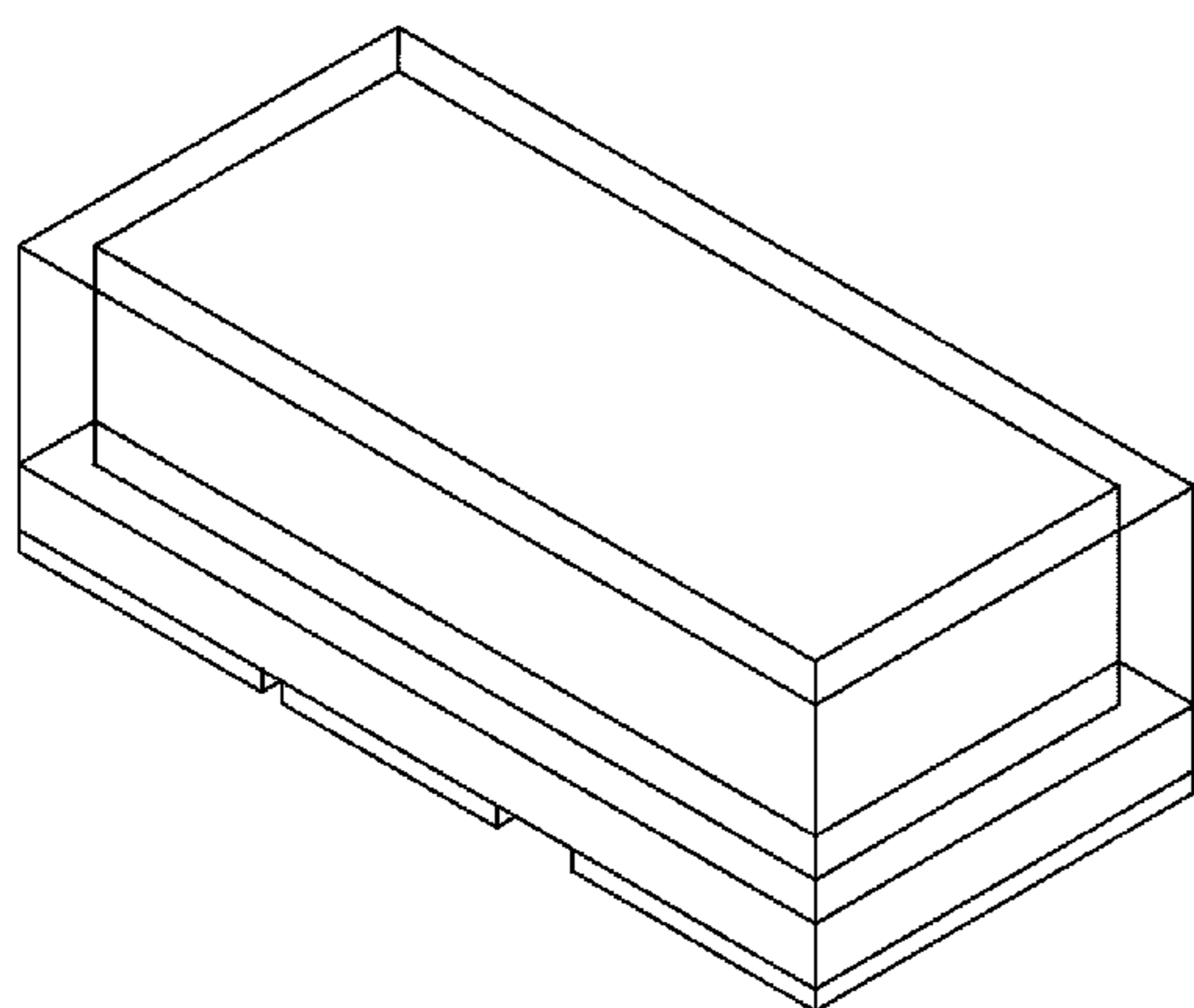


Fig. 1

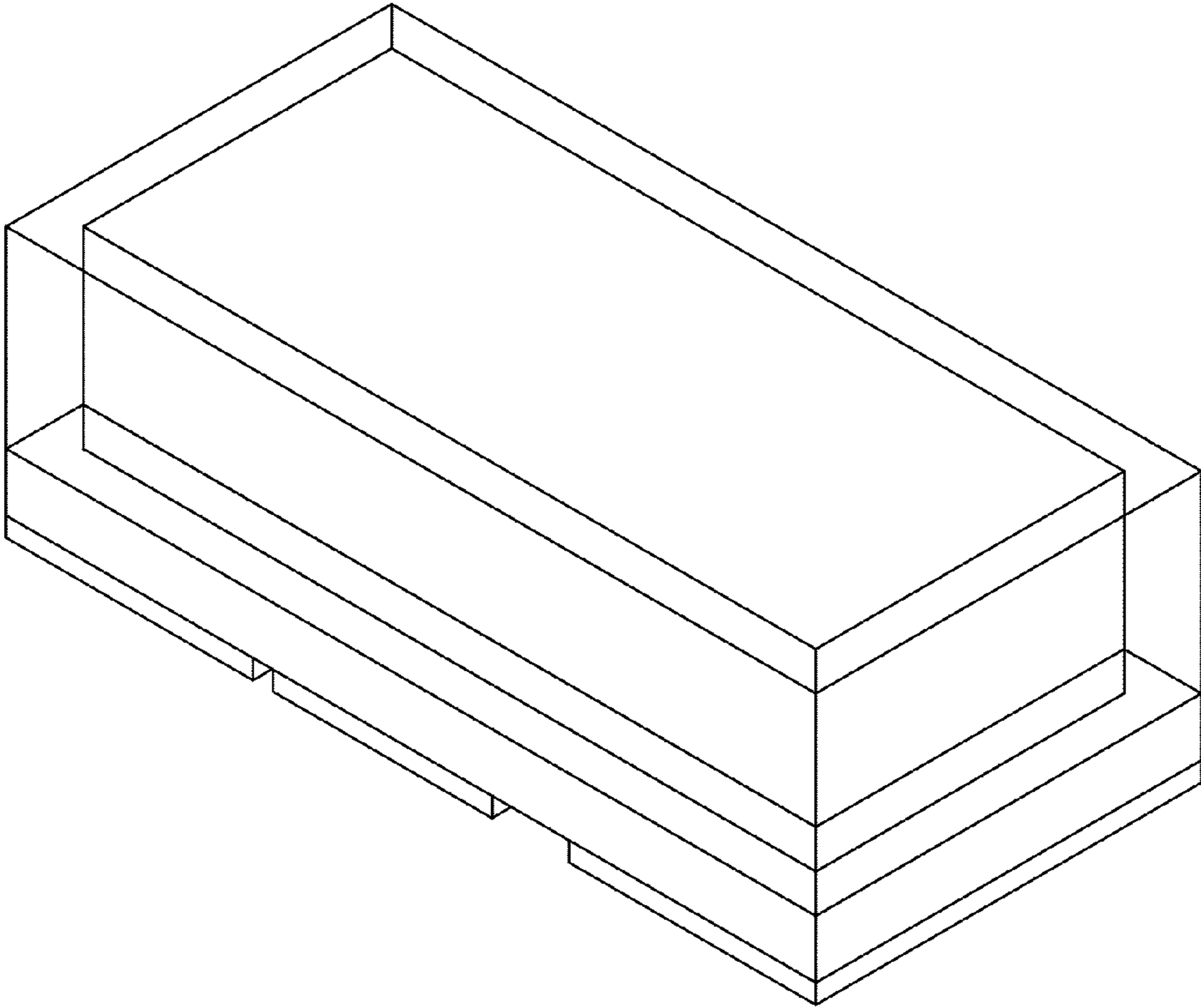


Fig. 2

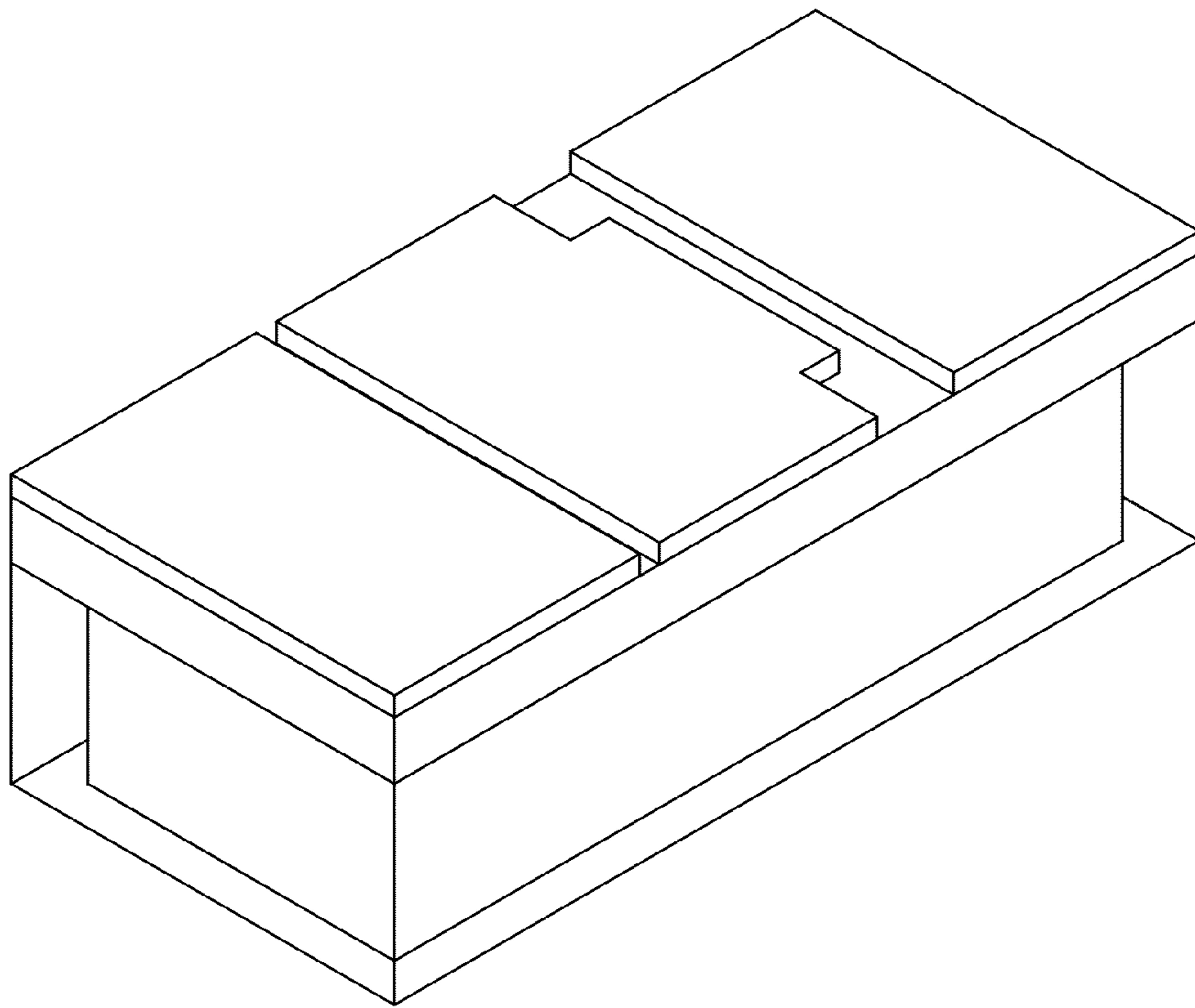


Fig. 3

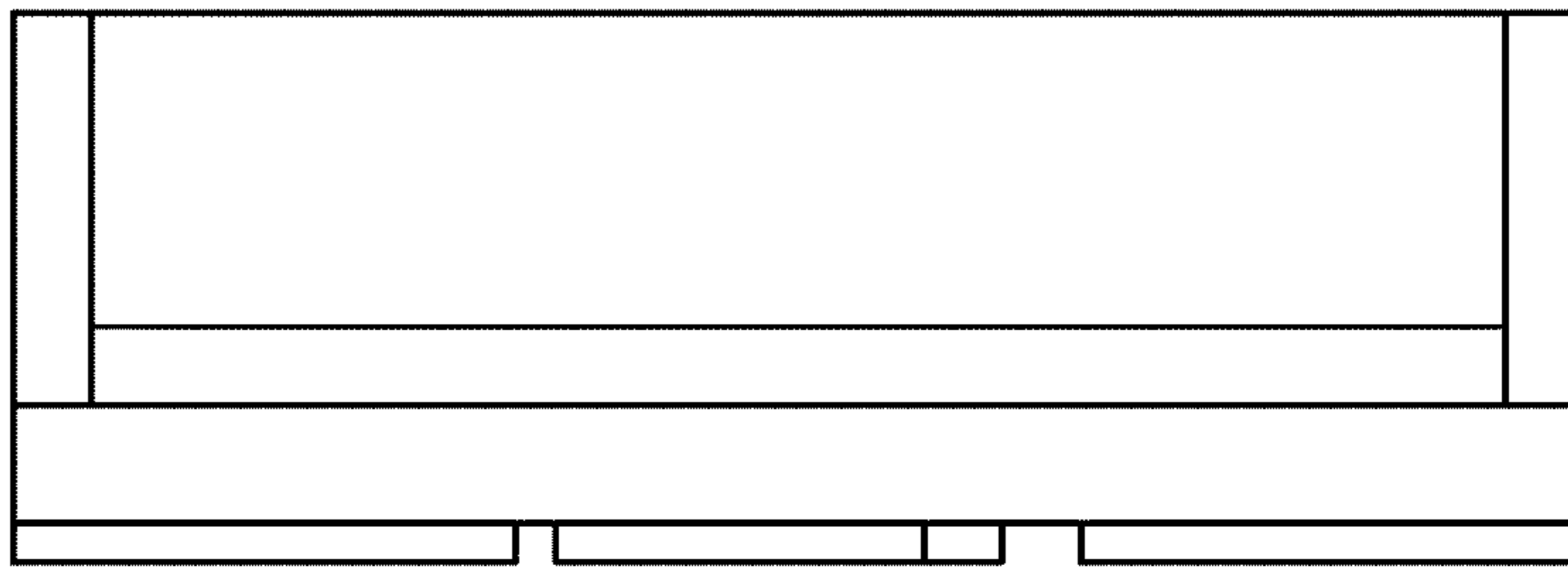


Fig. 4

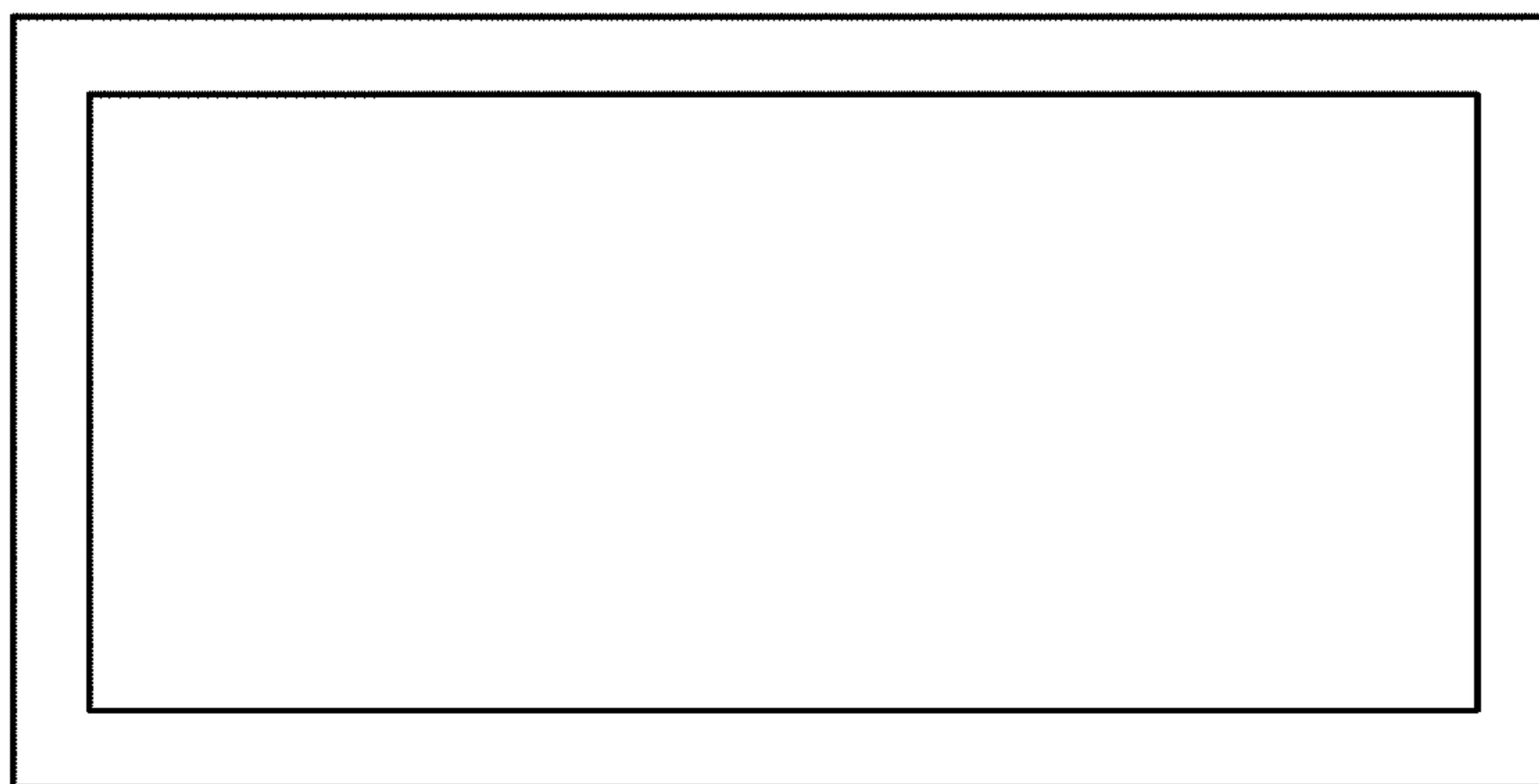


Fig. 5

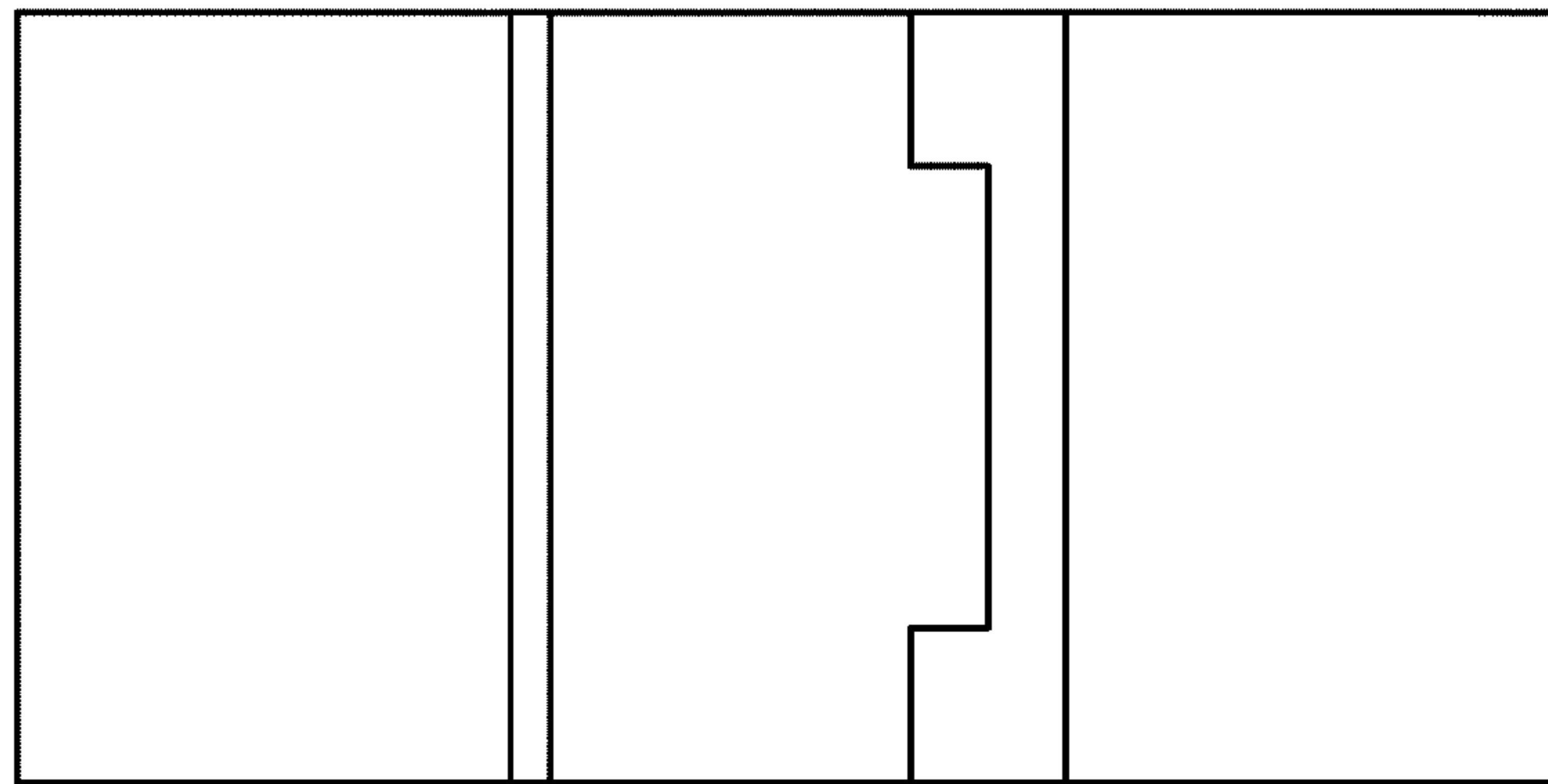


Fig. 6

