

US00D653623S

(12) **United States Design Patent**  
**Young et al.**

(10) **Patent No.:** **US D653,623 S**  
(45) **Date of Patent:** **\*\* Feb. 7, 2012**

(54) **RACEWAY FOR CABLE MANAGEMENT**  
(75) Inventors: **Joshua James Young**, Austin, TX (US);  
**D. Brian Donowho**, Austin, TX (US);  
**William Krietzman**, Portland, OR (US)

6,437,243 B1 8/2002 VanderVelde et al.  
6,437,244 B1 8/2002 VanderVelde  
D463,253 S 9/2002 Canty  
6,489,565 B1 12/2002 Krietzman et al.  
D468,700 S \* 1/2003 Dagley et al. .... D13/155  
6,527,351 B1 \* 3/2003 Sevier et al. .... 312/265.2  
D473,850 S 4/2003 Rouleau et al.

(73) Assignee: **Chatsworth Products, Inc.**, Westlake Village, CA (US)

(Continued)

(\*\*) Term: **14 Years**

FOREIGN PATENT DOCUMENTS

AU 322229 11/2008

(21) Appl. No.: **29/353,948**

(Continued)

(22) Filed: **Jan. 16, 2010**

OTHER PUBLICATIONS

(51) **LOC (9) Cl.** ..... **13-03**

Information Disclosure Statement (IDS) Letter Regarding Common Patent Application(s) dated Dec. 14, 2010.

(52) **U.S. Cl.** ..... **D13/155**

(Continued)

(58) **Field of Classification Search** ..... D8/333,  
D8/349, 354, 356, 357, 373; D13/154, 155,  
D13/156, 184; 248/49, 58; 361/826, 829;  
385/134, 135; 439/207, 210, 445, 447  
See application file for complete search history.

*Primary Examiner* — Daniel Bui  
(74) *Attorney, Agent, or Firm* — Tillman Wright, PLLC;  
James D. Wright; Chad D. Tillman

(56) **References Cited**

(57) **CLAIM**

U.S. PATENT DOCUMENTS

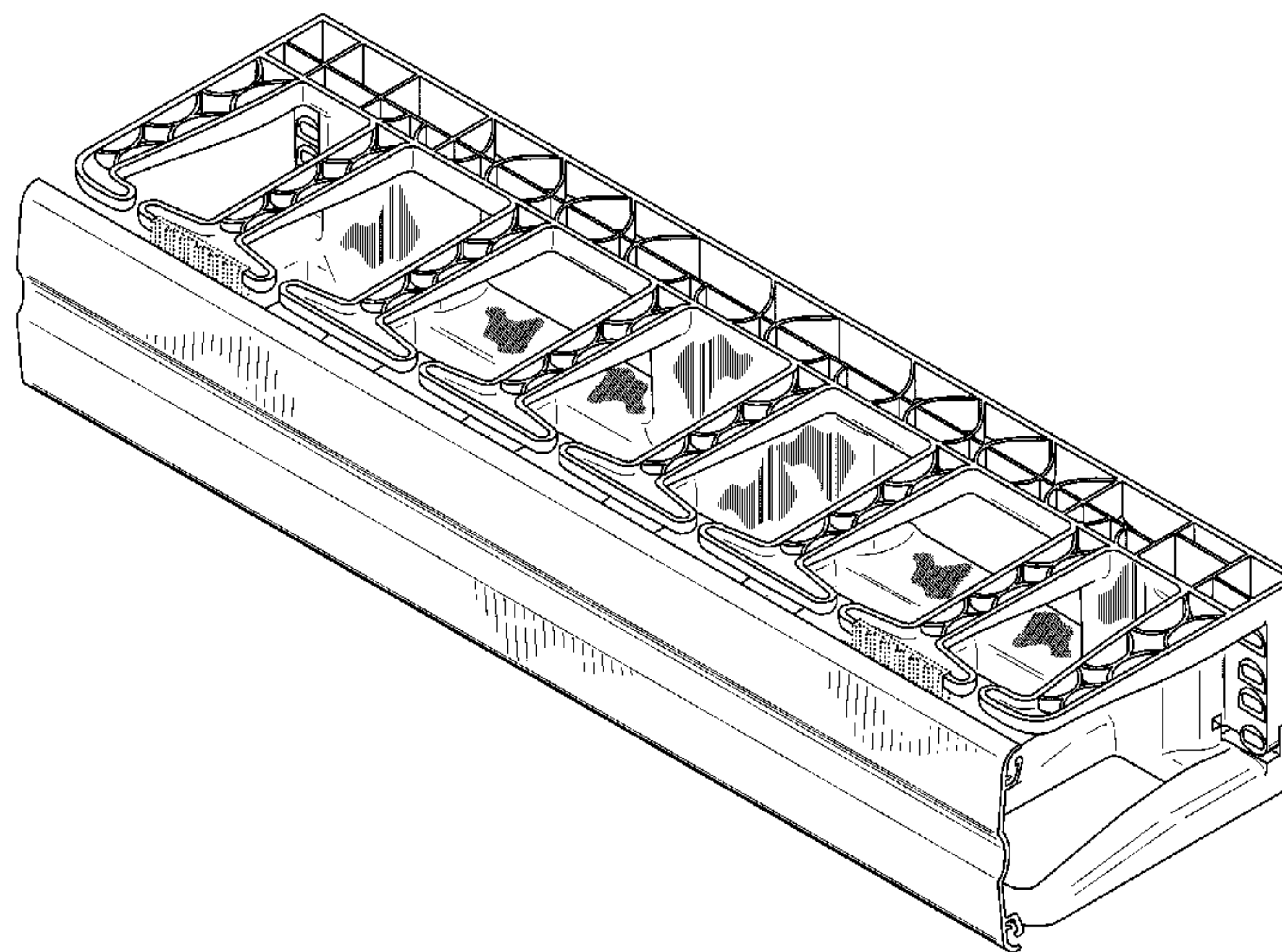
The ornamental design for a raceway for cable management, as shown and described.

- 2,921,607 A 1/1960 Caveney
- 3,485,937 A 12/1969 Caveney
- 3,705,949 A \* 12/1972 Weiss ..... 74/101
- 3,890,459 A 6/1975 Caveney
- 3,906,146 A 9/1975 Taylor
- 3,968,322 A 7/1976 Taylor
- 4,046,957 A 9/1977 Taylor et al.
- 4,136,257 A 1/1979 Taylor
- 4,484,020 A 11/1984 Loof et al.
- D282,538 S 2/1986 Loof et al.
- 5,086,195 A 2/1992 Claisse
- D326,200 S \* 5/1992 Allen et al. .... D6/479
- 5,602,364 A 2/1997 Ustin
- 5,659,650 A 8/1997 Arnett
- 6,044,194 A 3/2000 Meyerhoefer
- D425,044 S 5/2000 Jean et al.
- 6,102,214 A 8/2000 Mendoza
- 6,261,026 B1 7/2001 Conley et al.
- D448,737 S \* 10/2001 Nakamura ..... D13/155
- 6,307,997 B1 10/2001 Walters et al.

**DESCRIPTION**

FIG. 1 is an isometric view of the design for a raceway for cable management, depicted in a horizontal orientation, showing our new invention;  
FIG. 2 is a front view thereof;  
FIG. 3 is a rear view thereof;  
FIG. 4 is a right side view thereof;  
FIG. 5 is a left side view thereof;  
FIG. 6 is a top view thereof; and,  
FIG. 7 is a bottom view thereof.  
The broken line showing in the drawing views is included for the purpose of illustrating environment and forms no part of the claimed design.

**1 Claim, 5 Drawing Sheets**





U.S. PATENT DOCUMENTS

6,605,782	B1	8/2003	Krietzman et al.
6,614,665	B2	9/2003	Witty et al.
D492,315	S	6/2004	Gant et al.
6,766,093	B2	7/2004	McGrath et al.
6,884,942	B2	4/2005	McGrath et al.
D509,479	S	9/2005	DePaola
6,946,605	B2	9/2005	Levesque et al.
6,968,647	B2	11/2005	Levesque et al.
7,000,784	B2	2/2006	Canty et al.
7,019,213	B1	3/2006	McNutt et al.
7,026,553	B2	4/2006	Levesque et al.
7,060,893	B1	6/2006	Villi
7,119,282	B2	10/2006	Krietzman et al.
7,152,936	B2	12/2006	Tarasewicz
7,178,679	B2	2/2007	Canty et al.
D539,228	S	3/2007	Toikka et al.
D539,755	S *	4/2007	Makwinski et al. .... D13/155
7,225,586	B2	6/2007	Levesque et al.
7,285,027	B2	10/2007	McGrath et al.
7,362,941	B2	4/2008	Rinderer et al.
7,378,046	B2	5/2008	Canty et al.
7,417,188	B2	8/2008	McNutt et al.
7,425,678	B2	9/2008	Adducci et al.
7,427,713	B2	9/2008	Adducci et al.
7,438,638	B2	10/2008	Lewis, II et al.
7,458,859	B2	12/2008	McGrath et al.
7,480,154	B2	1/2009	Lawrence et al.
7,485,803	B2	2/2009	Adducci et al.
7,495,169	B2	2/2009	Adducci et al.
7,504,581	B2	3/2009	Adducci et al.
D596,928	S	7/2009	Lawrence et al.
7,565,051	B2	7/2009	Vongseng
D611,326	S	3/2010	Alaniz et al.
7,712,709	B2	5/2010	Winchester
7,762,405	B2	7/2010	Vogel et al.
7,778,513	B2	8/2010	Rinderer et al.
D629,289	S	12/2010	Krietzman et al.
D630,167	S	1/2011	Donowho
D630,173	S	1/2011	Donowho et al.
D632,660	S	2/2011	Donowho et al.
7,893,356	B2	2/2011	Garza et al.
D635,935	S	4/2011	Donowho
2001/0022231	A1	9/2001	Dyer
2002/0197045	A1	12/2002	Schmidt et al.
2004/0007372	A1	1/2004	Krietzman et al.
2004/0173545	A1	9/2004	Canty et al.
2004/0226900	A1	11/2004	Canty et al.
2005/0103517	A1	5/2005	Canepa
2005/0115152	A1	6/2005	Levesque et al.
2005/0115737	A1	6/2005	Levesque et al.
2005/0221683	A1	10/2005	McGrath et al.
2005/0247650	A1	11/2005	Vogel et al.
2006/0054336	A1	3/2006	McNutt et al.
2006/0059802	A1	3/2006	McNutt et al.
2006/0091086	A1	5/2006	Canty et al.
2006/0162948	A1	7/2006	Rinderer et al.
2007/0210680	A1	9/2007	Appino et al.
2007/0210681	A1	9/2007	Adducci et al.
2007/0210683	A1	9/2007	Adducci et al.
2007/0210686	A1	9/2007	Adducci et al.
2007/0212010	A1	9/2007	Caveney
2007/0221393	A1	9/2007	Adducci et al.
2008/0174217	A1	7/2008	Walker
2009/0093169	A1	4/2009	McGrath et al.
2009/0224110	A1	9/2009	Donowho et al.
2009/0236117	A1	9/2009	Garza et al.
2009/0283488	A1	11/2009	McMillan, III et al.
2010/0061059	A1	3/2010	Krietzman et al.
2010/0193754	A1	8/2010	Garza et al.
2010/0200707	A1	8/2010	Garza et al.

FOREIGN PATENT DOCUMENTS

AU	322230	11/2008
AU	322233	11/2008

BR	DI6904047-8	7/2010
CA	136298	2/2011
CA	136299	2/2011
CN	ZL200830139490.9	11/2009
CN	ZL200830139491.3	11/2009
CN	ZL200830139488.1	2/2010
CN	ZL200930237098.2	11/2010
CN	ZL201030243026.1	1/2011
CN	ZL201030243029.5	1/2011
EM	000968607-0001	7/2008
EM	000968607-0002	7/2008
EM	000968607-0003	7/2008
EM	000968607-0004	7/2008
EM	000968607-0005	7/2008
EM	000968607-0006	7/2008
EM	000968607-0007	7/2008
EM	000968607-0008	7/2008
EM	000968607-0009	7/2008
EM	000968607-0010	7/2008
EM	000968607-0011	7/2008
EM	001173330-0001	10/2009
EM	001173330-0002	10/2009
EM	001173330-0003	10/2009
EM	001226088-001	7/2010
EM	001226088-002	7/2010
IN	216981	7/2009
IN	216983	7/2009
IN	216982	8/2009
IN	216980	3/2010
IN	225382	9/2010
JP	1395439	7/2010
MX	27994	4/2009
MX	27995	4/2009
SG	D2009/924 H	10/2009
SG	D2009/925/D	10/2009
SG	D2009/926/J	10/2009
WO	2008022058 A2	2/2008
WO	2008022058 A3	11/2008
WO	2009089306 A1	7/2009
WO	2009089307 A2	7/2009
WO	2009089307 A3	12/2009
WO	2011088430 A2	7/2011
WO	2011088438 A2	7/2011

OTHER PUBLICATIONS

“International Search Report” and “Written Opinion of the International Search Authority” (Korean Intellectual Property Office) in Chatsworth Products, Inc. et al., International Patent Application Ser. No. PCT/US2009/030369, Applicant’s file reference 3001.202, dated Oct. 12, 2009, 9 pages.

“International Search Report” and “Written Opinion of the International Searching Authority” (ISA/US Alexandria, Virginia Office) in Chatsworth Products, Inc. et al., International Patent Application Ser. No. PCT/ US07/75763, Applicant’s file reference 3001.097, dated Aug. 13, 2008, 13 pages.

Information Disclosure Statement (IDS) Letter Regarding Common Patent Application(s), dated May 10, 2011.

Information Disclosure Statement (IDS) Letter Regarding Common Patent Application(s) dated Apr. 16, 2010.

“International Search Report” and “Written Opinion of the International Search Authority” (Australian Patent Office) in Chatsworth Products, Inc. et al., International Patent Application Ser. No. PCT/US2008/030368, Applicant’s file reference 3001.194, dated Apr. 08, 2009, 20 pages.

Information Disclosure Statement (IDS) Letter Regarding Common Patent Application(s), dated Sep. 15, 2010.

Information Disclosure Statement (IDS) Letter Regarding Common Patent Application(s), dated Mar. 8, 2011.

\* cited by examiner



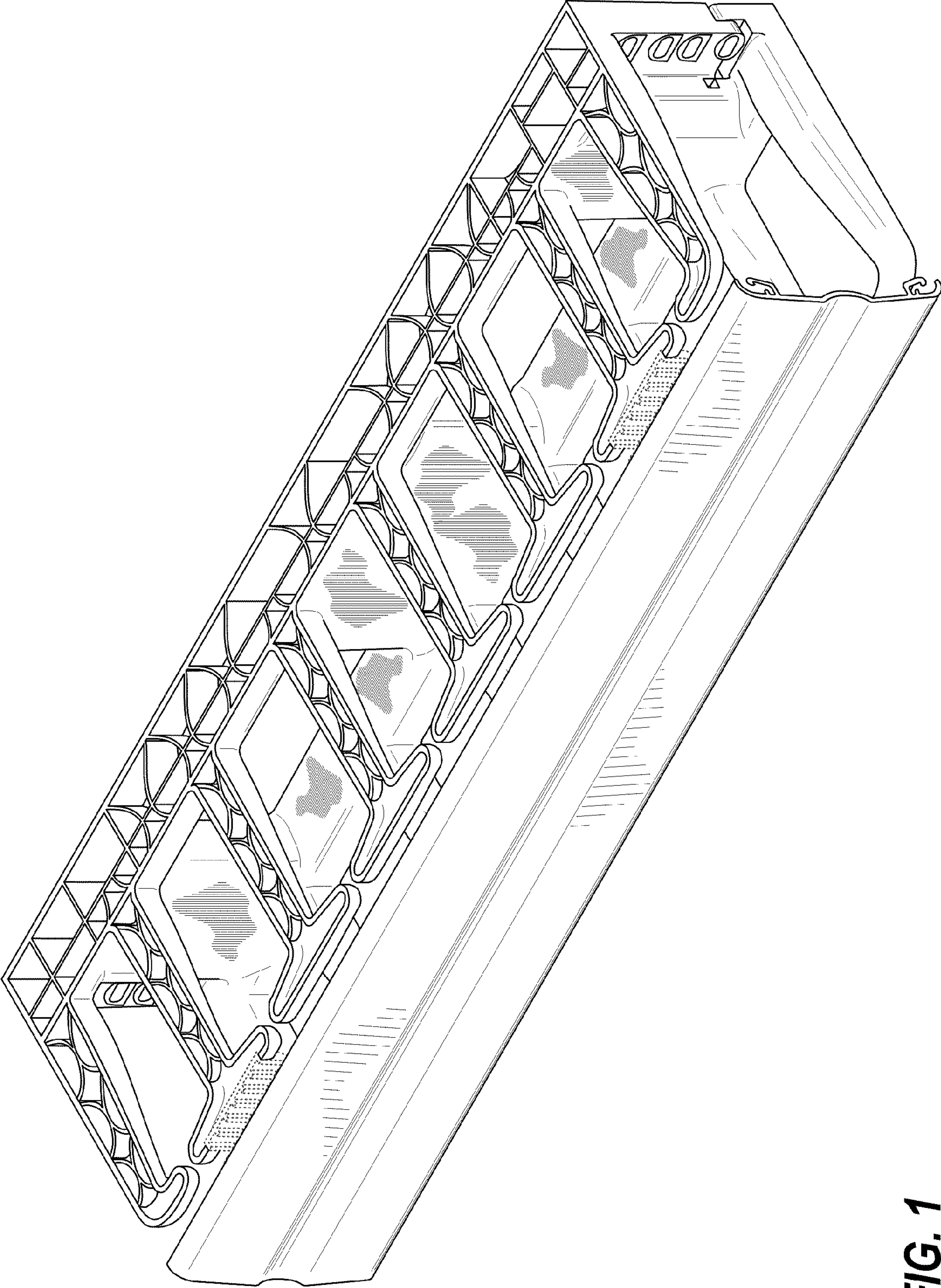
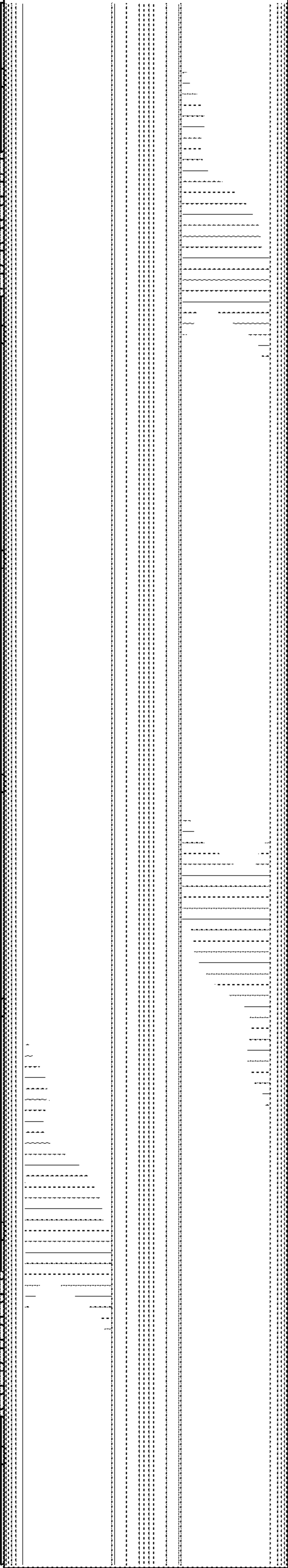
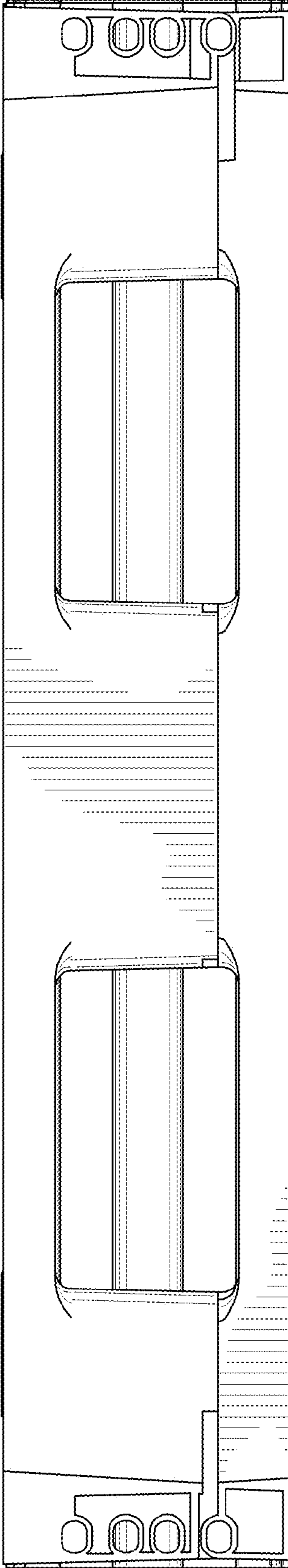


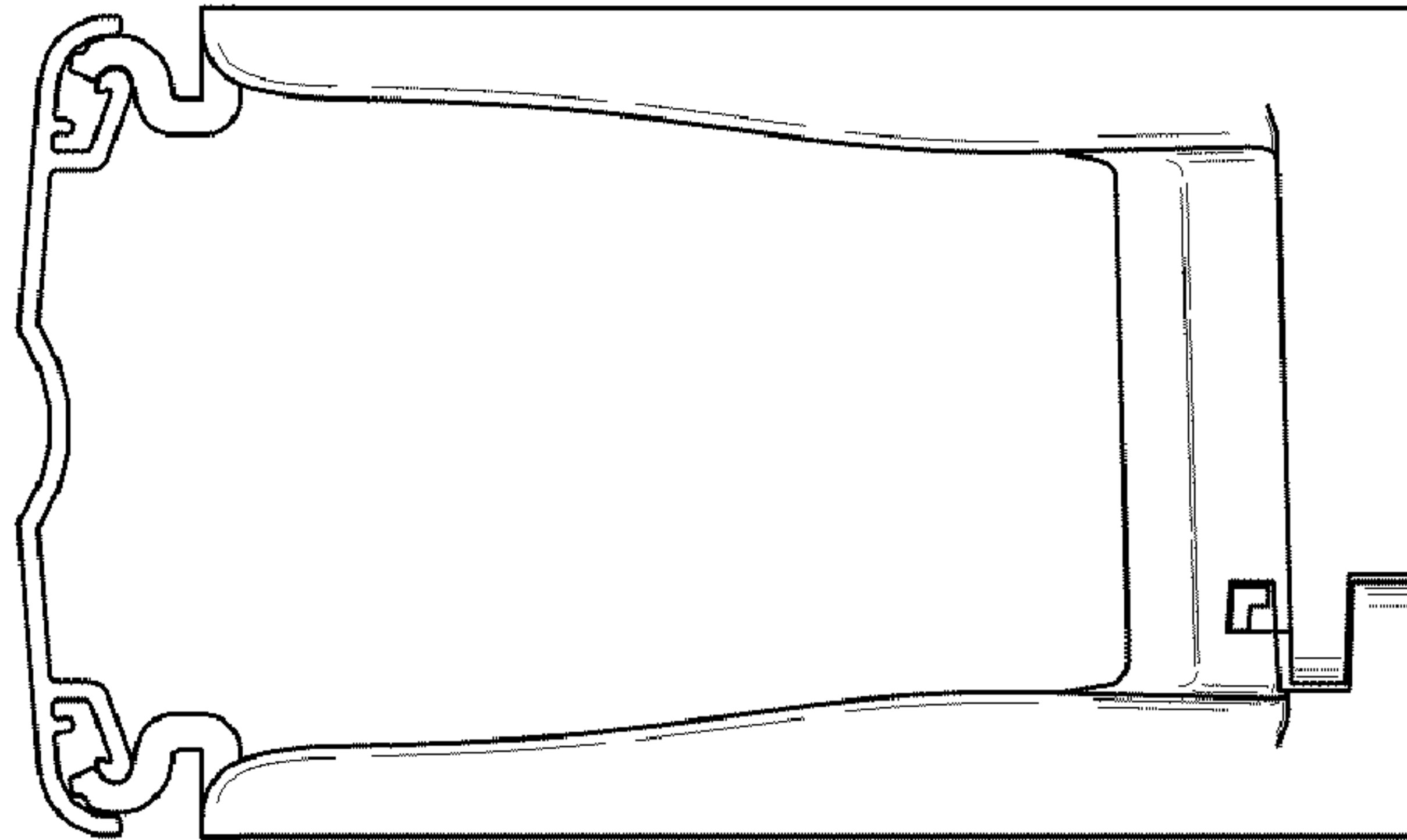
FIG. 1



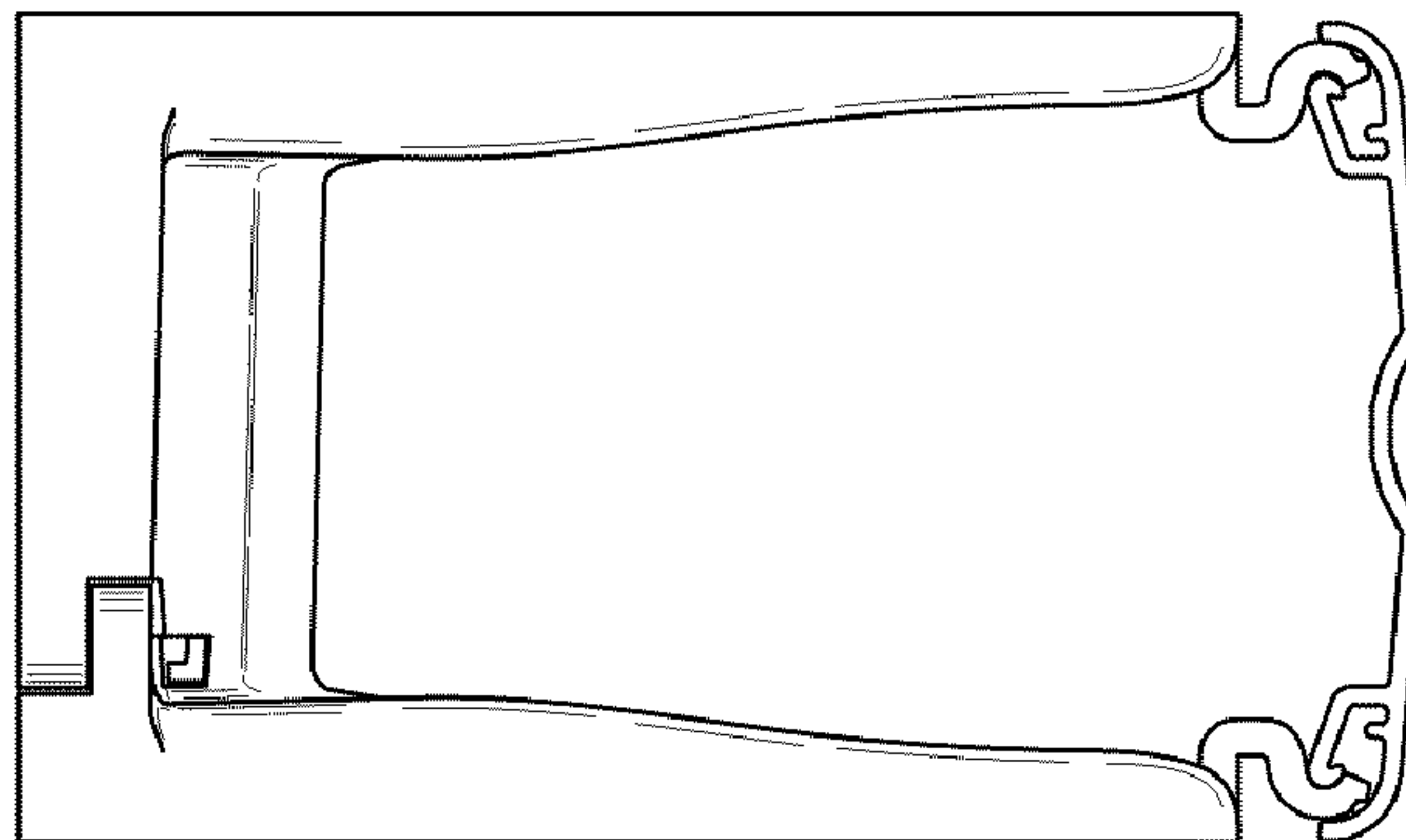
**FIG. 2**



**FIG. 3**



**FIG. 4**



**FIG. 5**



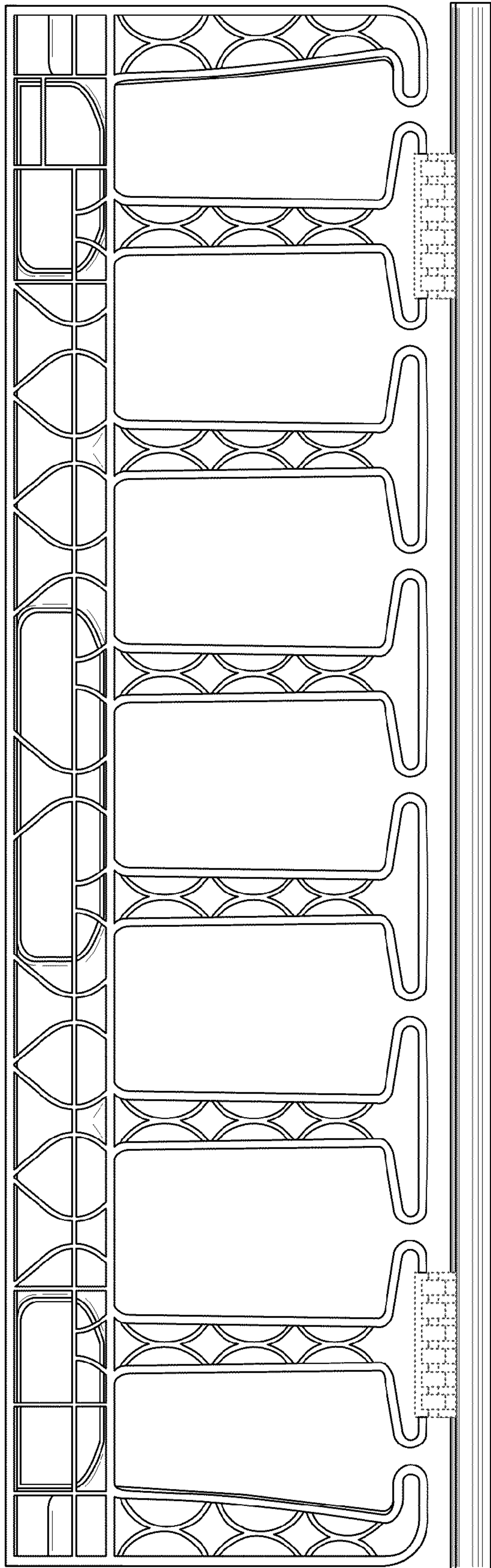


FIG. 6

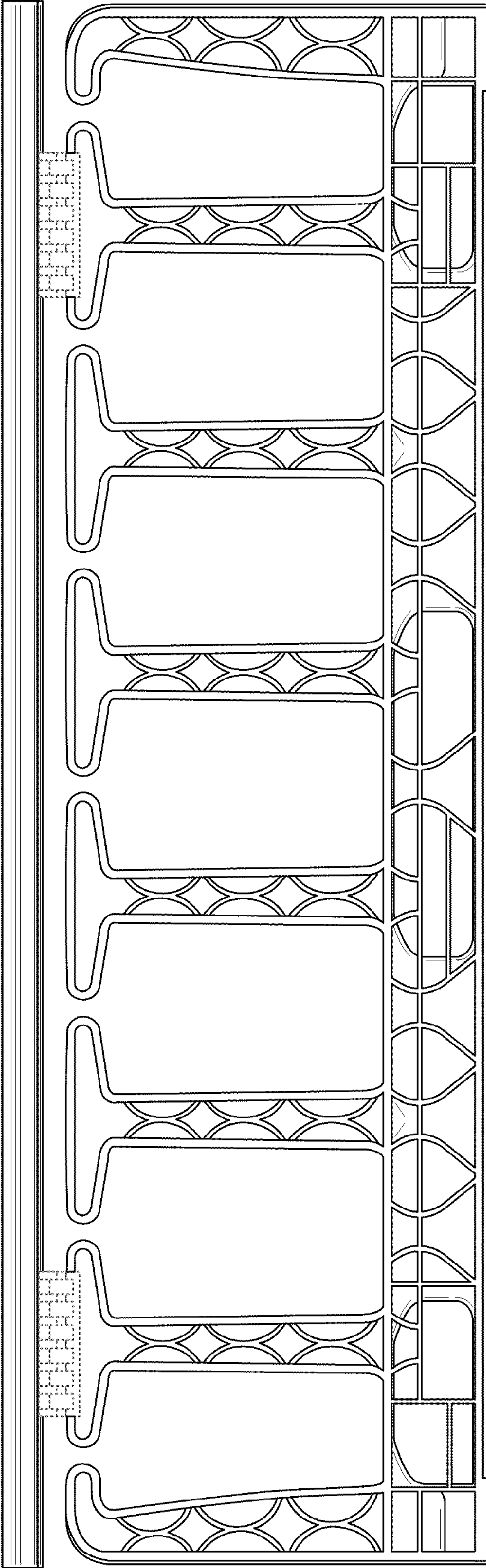


FIG. 7