



US00D653620S

(12) **United States Design Patent**
Gouhl et al.

(10) **Patent No.:** **US D653,620 S**
(45) **Date of Patent:** **** Feb. 7, 2012**

- (54) **MODULAR FEMALE CONNECTOR**
- (75) Inventors: **Erik Jeffrey Gouhl**, Fayetteville, GA (US); **Shi Qiang Yuan**, Shang Hai (CN); **Darron Kirby Lacey**, Peachtree City, GA (US)
- (73) Assignee: **Cooper Technologies Company**, Houston, TX (US)
- (**) Term: **14 Years**
- (21) Appl. No.: **29/351,063**
- (22) Filed: **Nov. 30, 2009**
- (51) **LOC (9) Cl.** **13-03**
- (52) **U.S. Cl.** **D13/146**
- (58) **Field of Classification Search** D13/133, D13/146, 147, 154, 156, 184; 439/266, 345, 439/350, 352, 357, 358, 595, 660, 680, 682, 439/752

See application file for complete search history.

- D556,142 S 11/2007 Kudo et al.
- D558,145 S 12/2007 Stavoe et al.
- D559,182 S 1/2008 Rector, III et al.
- D559,187 S 1/2008 Hayashi
- D559,189 S 1/2008 Arai et al.
- D559,785 S 1/2008 Tosetti
- D560,167 S 1/2008 Malis et al.
- D560,168 S 1/2008 McCoy
- D560,610 S 1/2008 McCoy
- D560,613 S 1/2008 McEvoy et al.
- D560,614 S 1/2008 McEvoy et al.
- D561,101 S 2/2008 Sakamoto
- D561,103 S 2/2008 Grant
- D561,104 S 2/2008 Sakamoto
- D561,107 S 2/2008 Cuff et al.
- D561,108 S 2/2008 Cuff et al.
- D561,111 S 2/2008 Howard
- D561,698 S 2/2008 Cuff et al.
- D562,242 S 2/2008 Yang
- D562,248 S 2/2008 Howerton et al.
- D562,769 S 2/2008 Ashida et al.
- D562,775 S 2/2008 Cuff et al.
- D563,877 S 3/2008 Grant
- D563,878 S 3/2008 Grant
- D563,879 S 3/2008 Grant

(Continued)

(56) **References Cited**

U.S. PATENT DOCUMENTS

- 3,325,769 A * 6/1967 Travis 439/496
- D210,533 S * 3/1968 Pauza D13/147
- D367,465 S 2/1996 Becker
- D381,628 S 7/1997 Ashida
- D412,312 S 7/1999 Myers
- D425,869 S * 5/2000 Yokomizo et al. D13/147
- D479,199 S * 9/2003 Jones et al. D13/147
- D479,826 S 9/2003 Verfuether et al.
- D531,959 S * 11/2006 Kondas D13/147
- D531,960 S * 11/2006 Kondas D13/147
- D539,743 S 4/2007 Langer et al.
- D543,149 S 5/2007 Huang et al.
- D543,505 S 5/2007 Wang
- D544,845 S 6/2007 Askeland et al.
- D552,036 S 10/2007 Holland
- D553,087 S 10/2007 Ashida et al.
- D555,594 S 11/2007 So
- D556,102 S 11/2007 Horner et al.
- D556,133 S 11/2007 Wang
- D556,140 S 11/2007 Sakamoto

Primary Examiner — Daniel Bui

(74) *Attorney, Agent, or Firm* — King & Spalding LLP

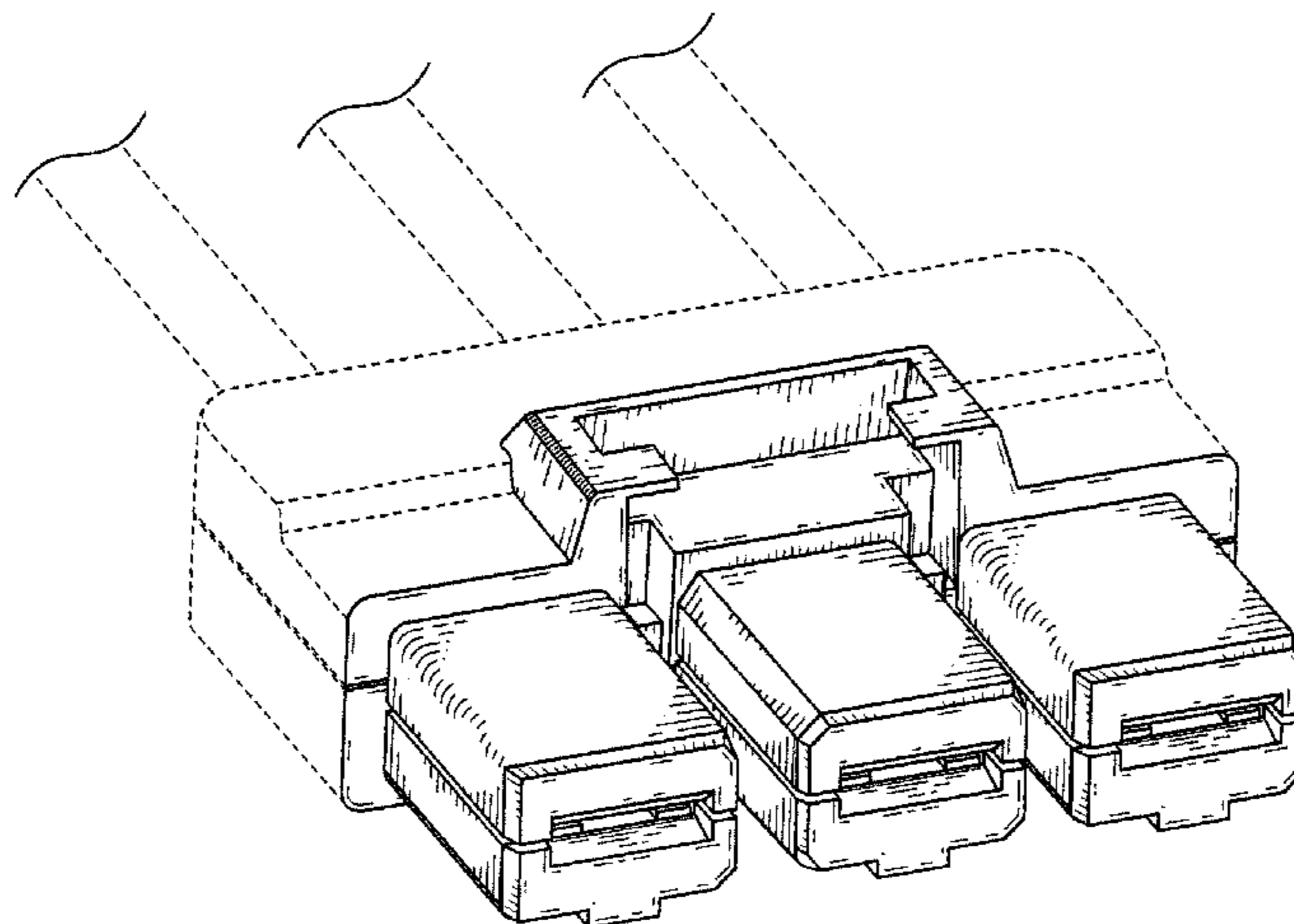
(57) **CLAIM**

The ornamental design for a modular female connector, as shown and described.

DESCRIPTION

FIG. 1 is a perspective view of a modular female connector, showing our new design;
 FIG. 2 is a front elevation view thereof;
 FIG. 3 is a left-side elevation view thereof;
 FIG. 4 is a right-side elevation view thereof;
 FIG. 5 is a top plan view thereof; and,
 FIG. 6 is a bottom plan view thereof.
 The broken lines shown represent unclaimed subject matter and form no part of the claimed design.

1 Claim, 3 Drawing Sheets



US D653,620 S

Page 2

U.S. PATENT DOCUMENTS

D563,880 S	3/2008	Grant	D570,783 S	6/2008	So	
D563,883 S	3/2008	Dever	D573,079 S	7/2008	Huet	
D563,884 S	3/2008	Dever	D573,106 S	7/2008	Shu et al.	
D563,885 S	3/2008	Dever	D574,329 S	8/2008	So	
D563,886 S	3/2008	Dever	D574,772 S	8/2008	Sutter	
D563,887 S	3/2008	Dever	D574,773 S *	8/2008	Sutter	D13/133
D563,888 S	3/2008	Dever	D574,786 S	8/2008	Askeland et al.	
D564,452 S	3/2008	Kudo	D575,234 S	8/2008	Zayas	
D564,453 S	3/2008	Kudo	D575,237 S	8/2008	Shiga et al.	
D564,962 S	3/2008	Chen et al.	D575,742 S	8/2008	Scherer et al.	
D564,963 S	3/2008	Sakamoto	D581,366 S *	11/2008	Knepper	D13/154
D564,968 S	3/2008	Sakamoto	D609,191 S *	2/2010	Feldvoss et al.	D13/154
D565,981 S	4/2008	Radecke et al.	2004/0214464 A1 *	10/2004	Fukushima et al.	439/271

* cited by examiner

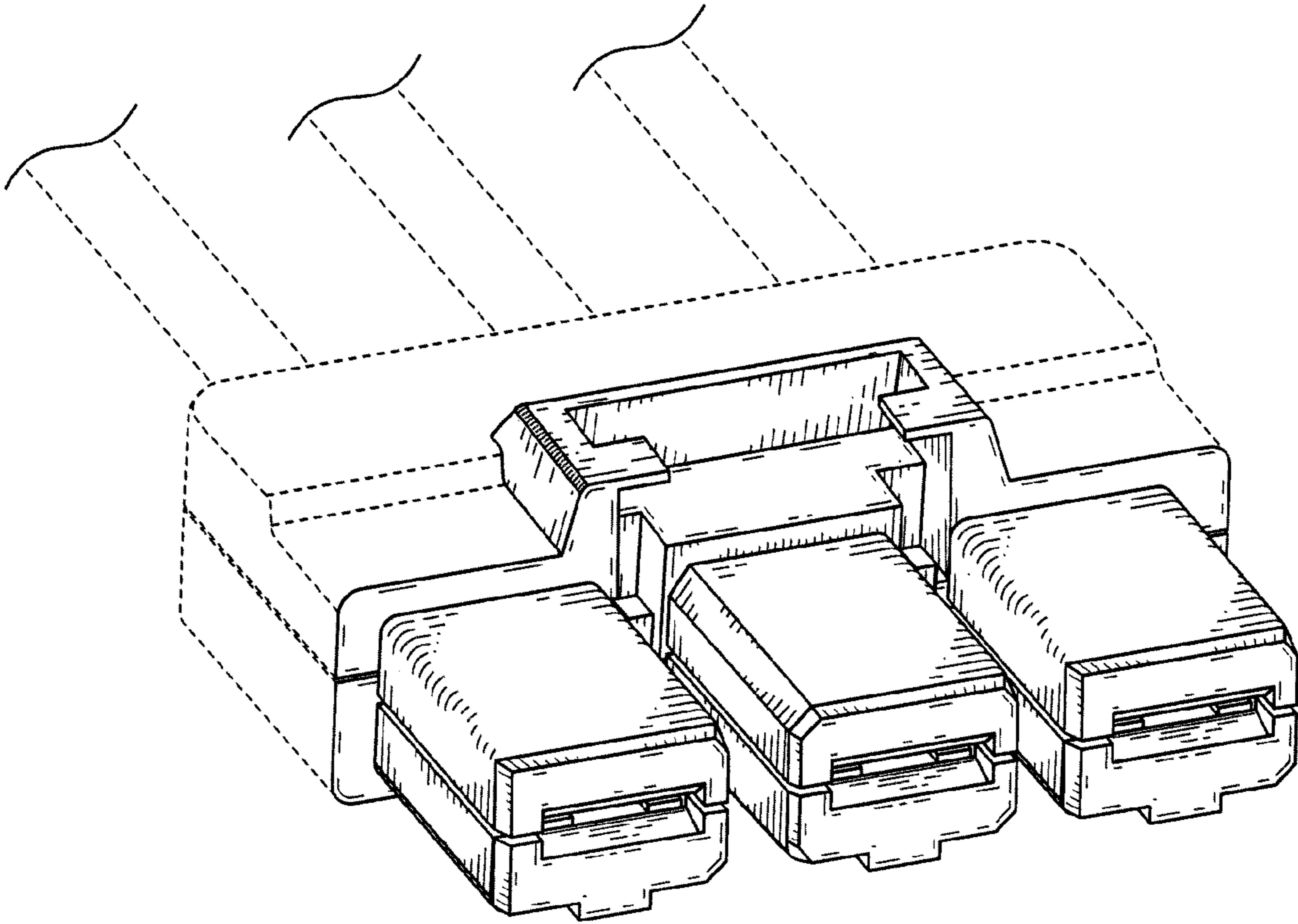


FIG. 1

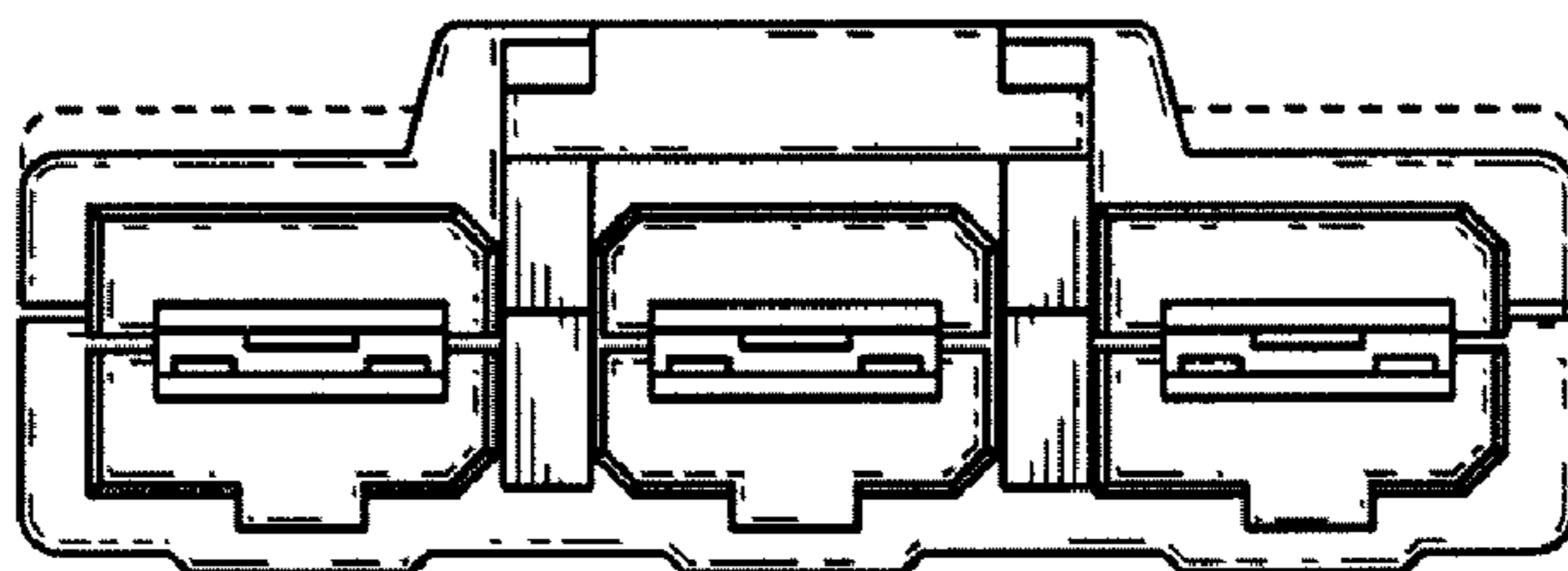


FIG. 2

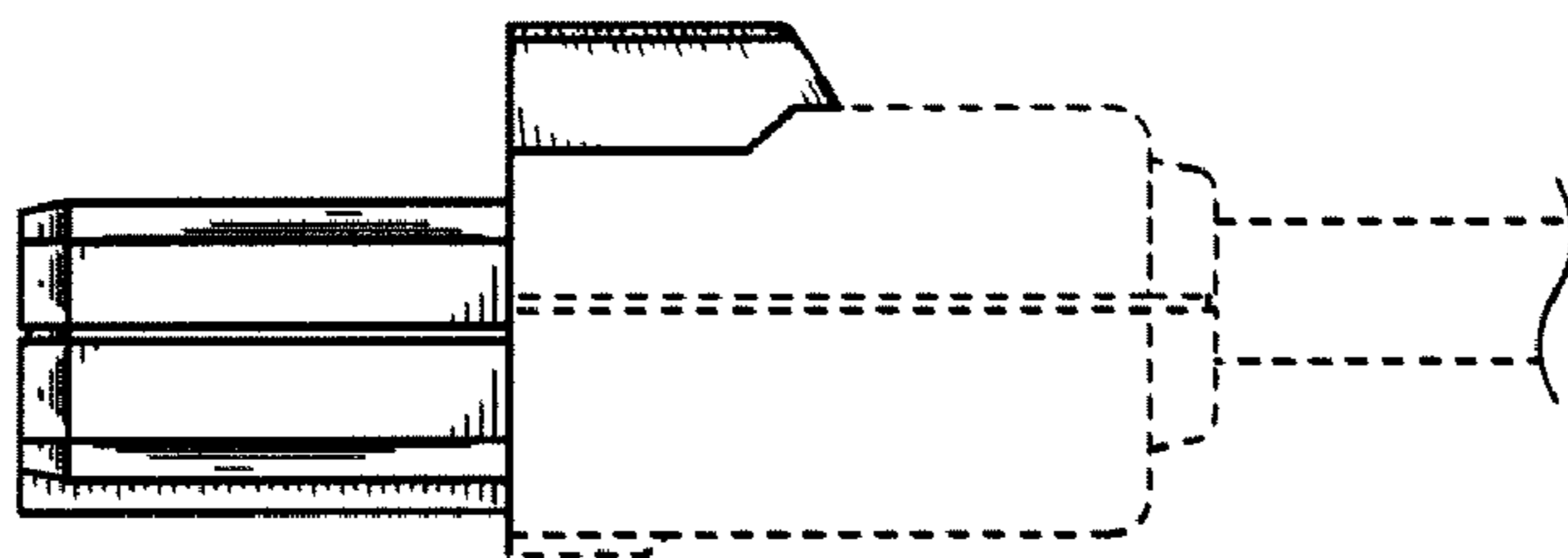


FIG. 3

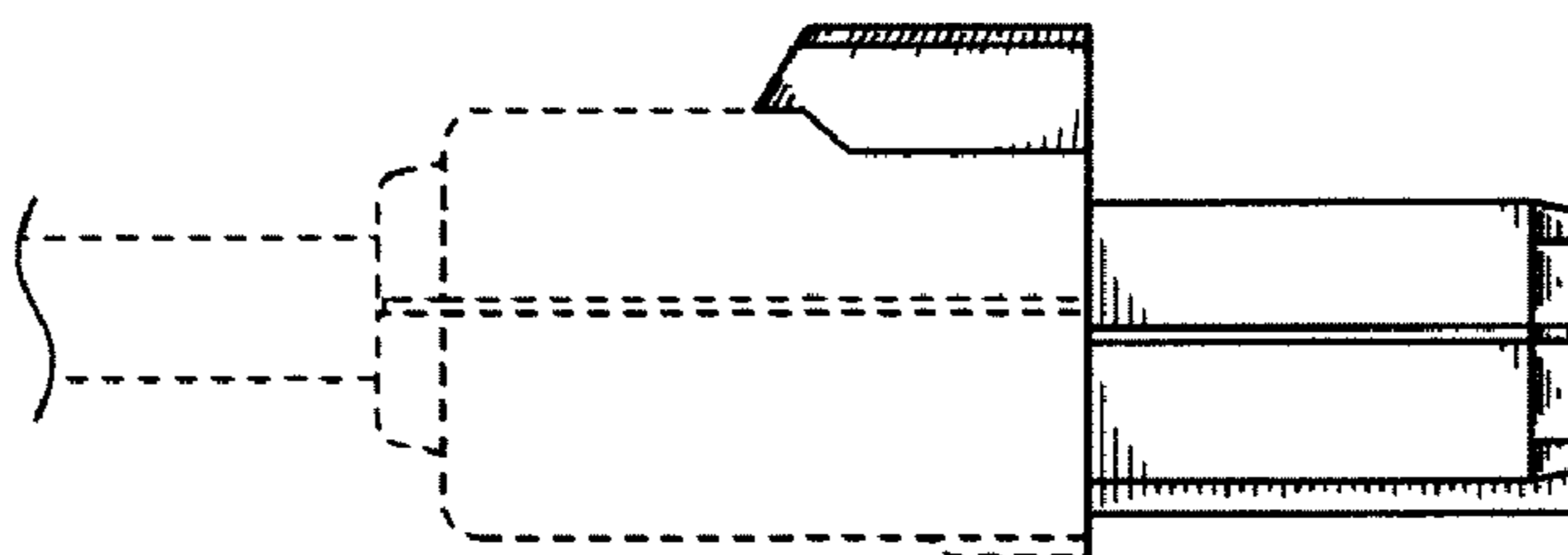


FIG. 4

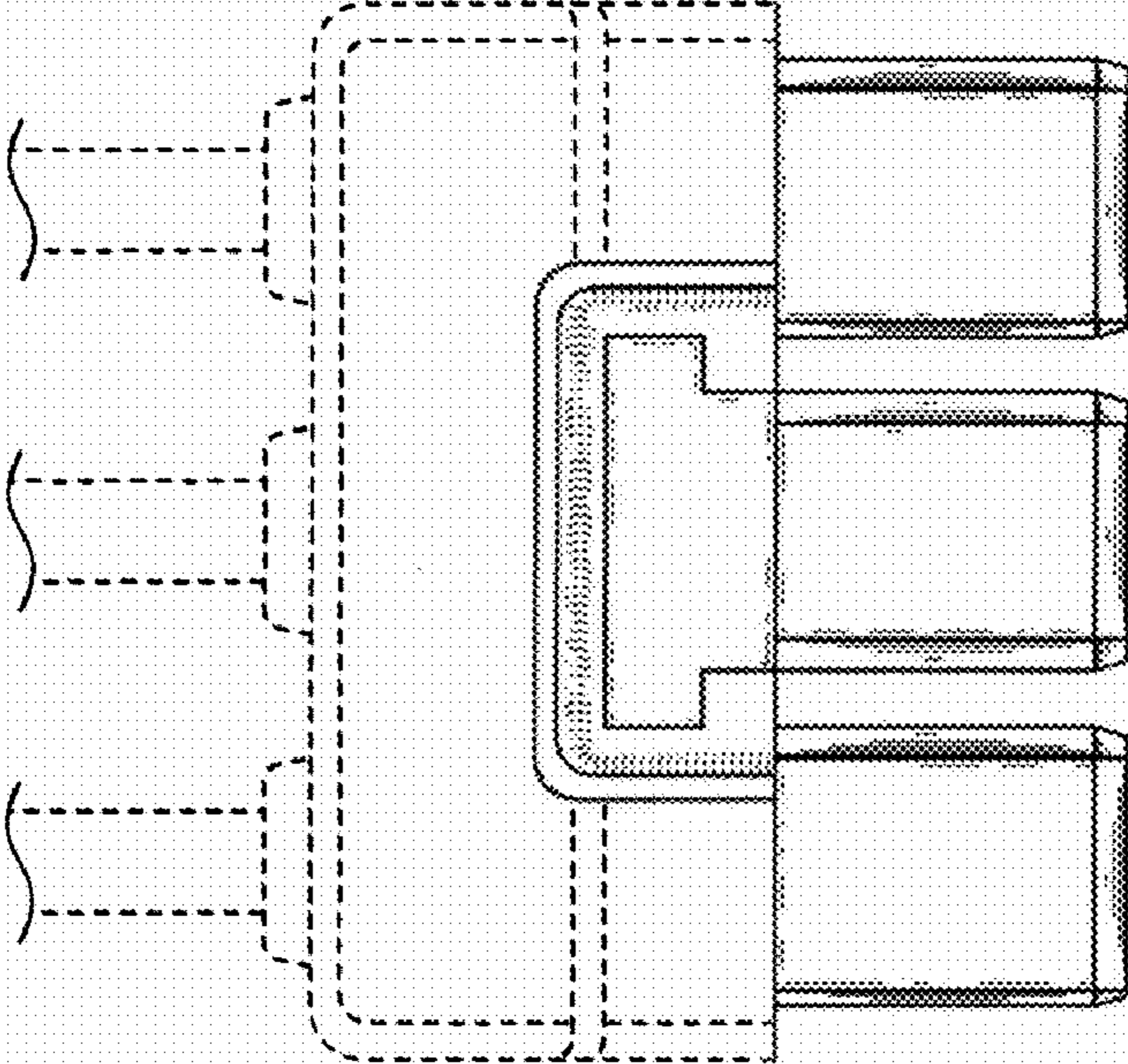


FIG. 5

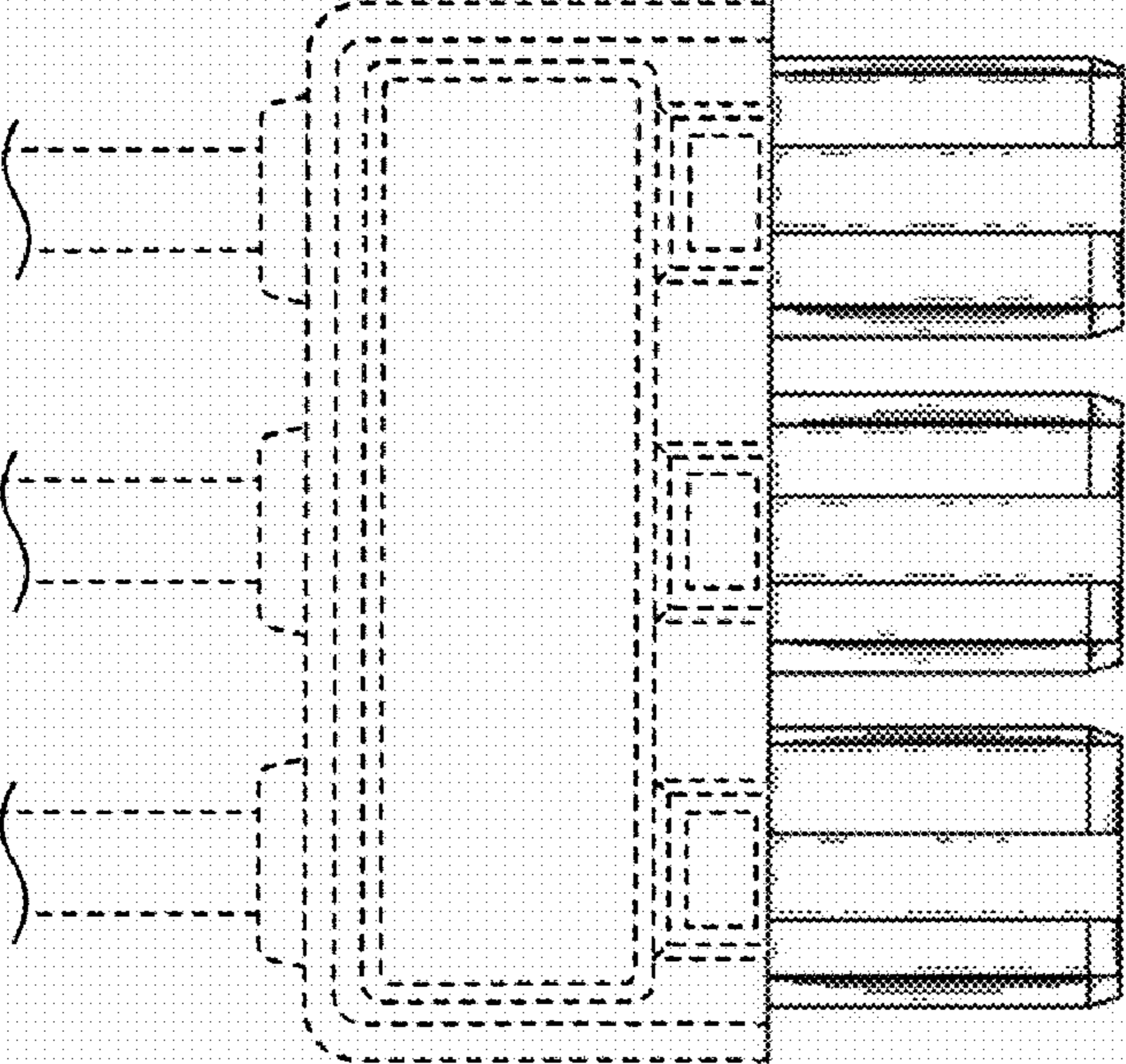


FIG. 6