



US00D653617S

(12) **United States Design Patent**
Li

(10) **Patent No.:** **US D653,617 S**

(45) **Date of Patent:** **** Feb. 7, 2012**

(54) **PEDAL POWER GENERATING DEVICE**

Primary Examiner — Derrick Holland

(76) Inventor: **Hsin-Jen Li**, Taichung (TW)

(**) Term: **14 Years**

(21) Appl. No.: **29/400,243**

(22) Filed: **Aug. 25, 2011**

(51) **LOC (9) Cl.** **13-01**

(52) **U.S. Cl.** **D13/115; D13/116**

(58) **Field of Classification Search** D13/115,
D13/101, 106, 107, 112, 116, 119, 184, 199;
290/1 R, 1 A, 1 C; 307/64, 150, 151, 153;
320/103, 104, 105, 107, 111

See application file for complete search history.

(56) **References Cited**

U.S. PATENT DOCUMENTS

D255,349 S *	6/1980	Wohlbach et al.	D13/115
D309,892 S *	8/1990	Troup	D13/107
D561,689 S *	2/2008	Nakamura et al.	D13/115
D594,819 S *	6/2009	Yamamoto et al.	D13/116
D597,485 S *	8/2009	Ma	D13/116

* cited by examiner

(57) **CLAIM**

The ornamental design for a pedal power generating device, as shown and described.

DESCRIPTION

FIG. 1 is a perspective view of a pedal power generating device showing my new design;
FIG. 2 is a front elevational view thereof;
FIG. 3 is a rear elevational view thereof;
FIG. 4 is a left side view thereof;
FIG. 5 is a right side view thereof;
FIG. 6 is a top plan view thereof;
FIG. 7 is a bottom plan view thereof;
FIG. 8 is a perspective view thereof, showing the U-shaped handle in an alternate position; and,
FIG. 9 is a perspective view thereof, shown in environmental use.

The broken lines shown represent unclaimed subject matter and form no part of the claimed design.

1 Claim, 9 Drawing Sheets

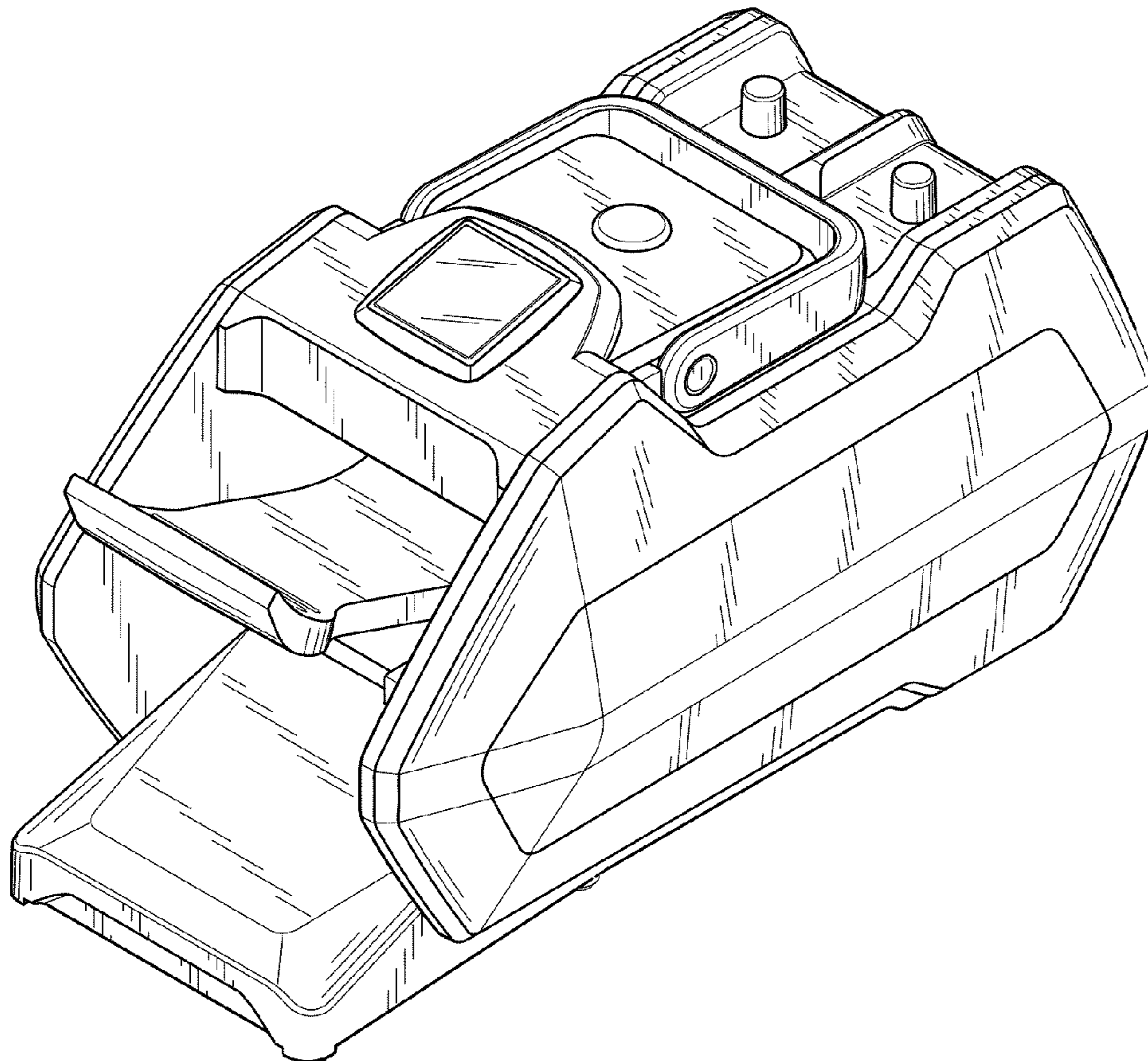




FIG. 1

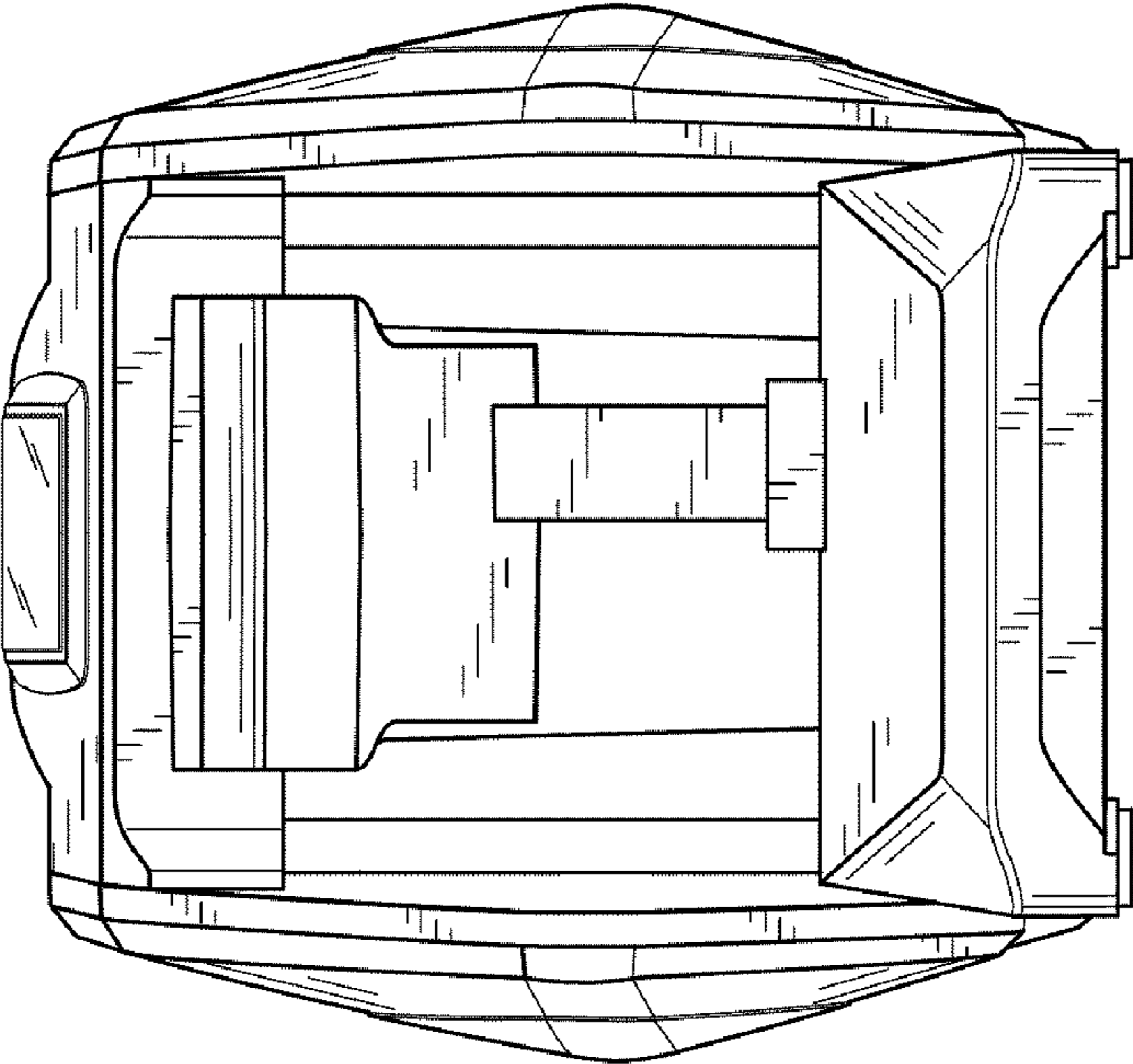


FIG. 2

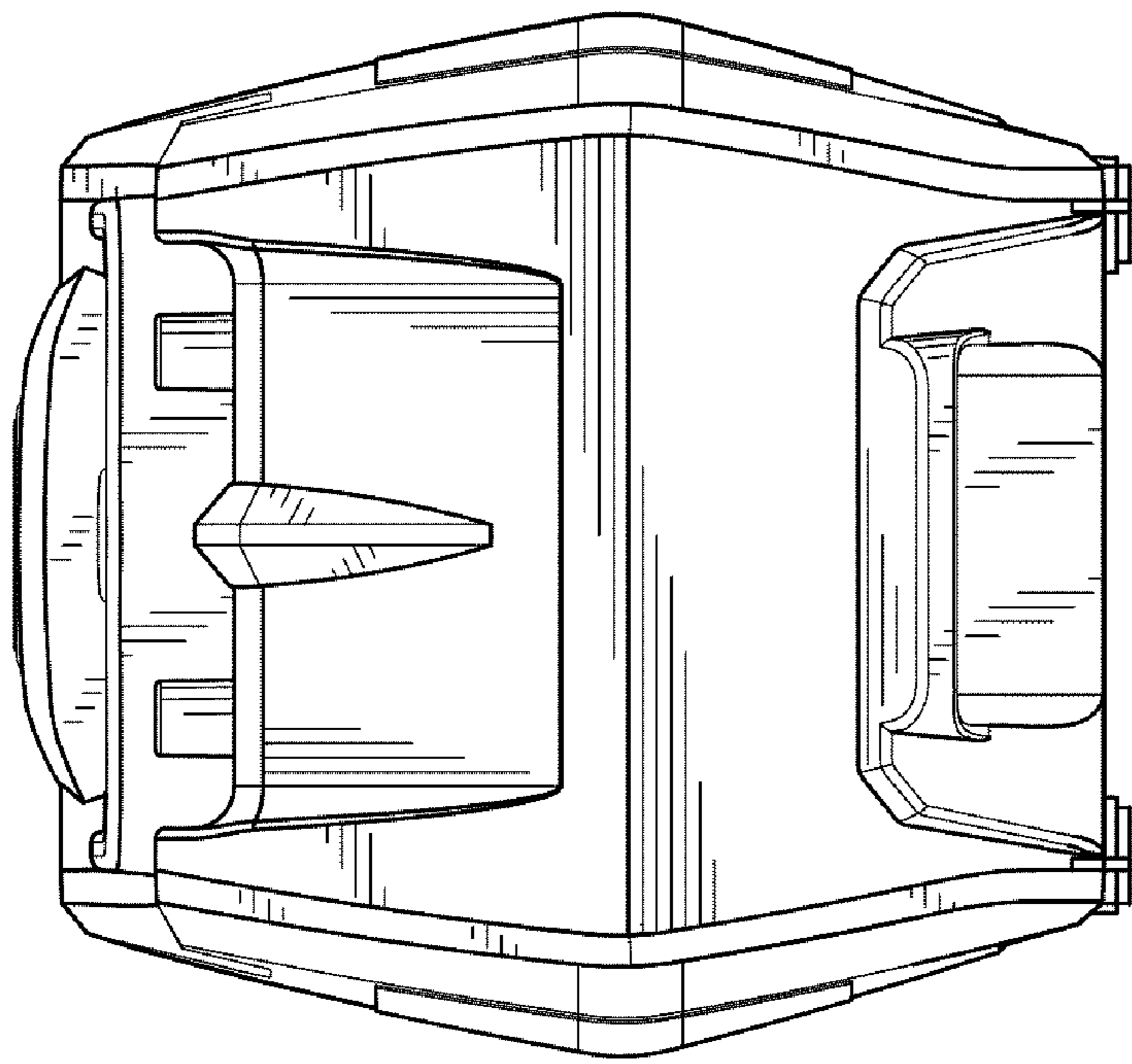


FIG. 3

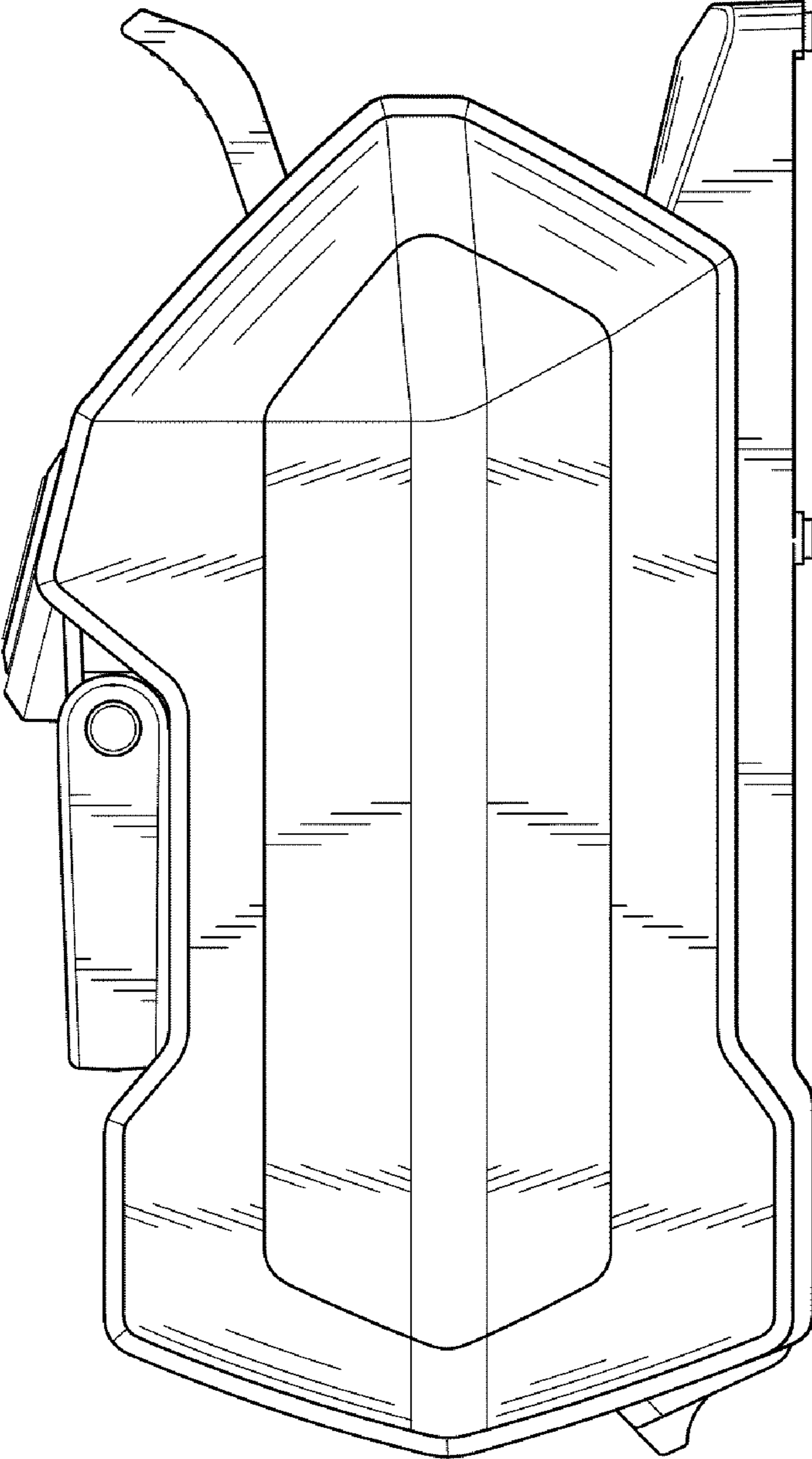


FIG. 4

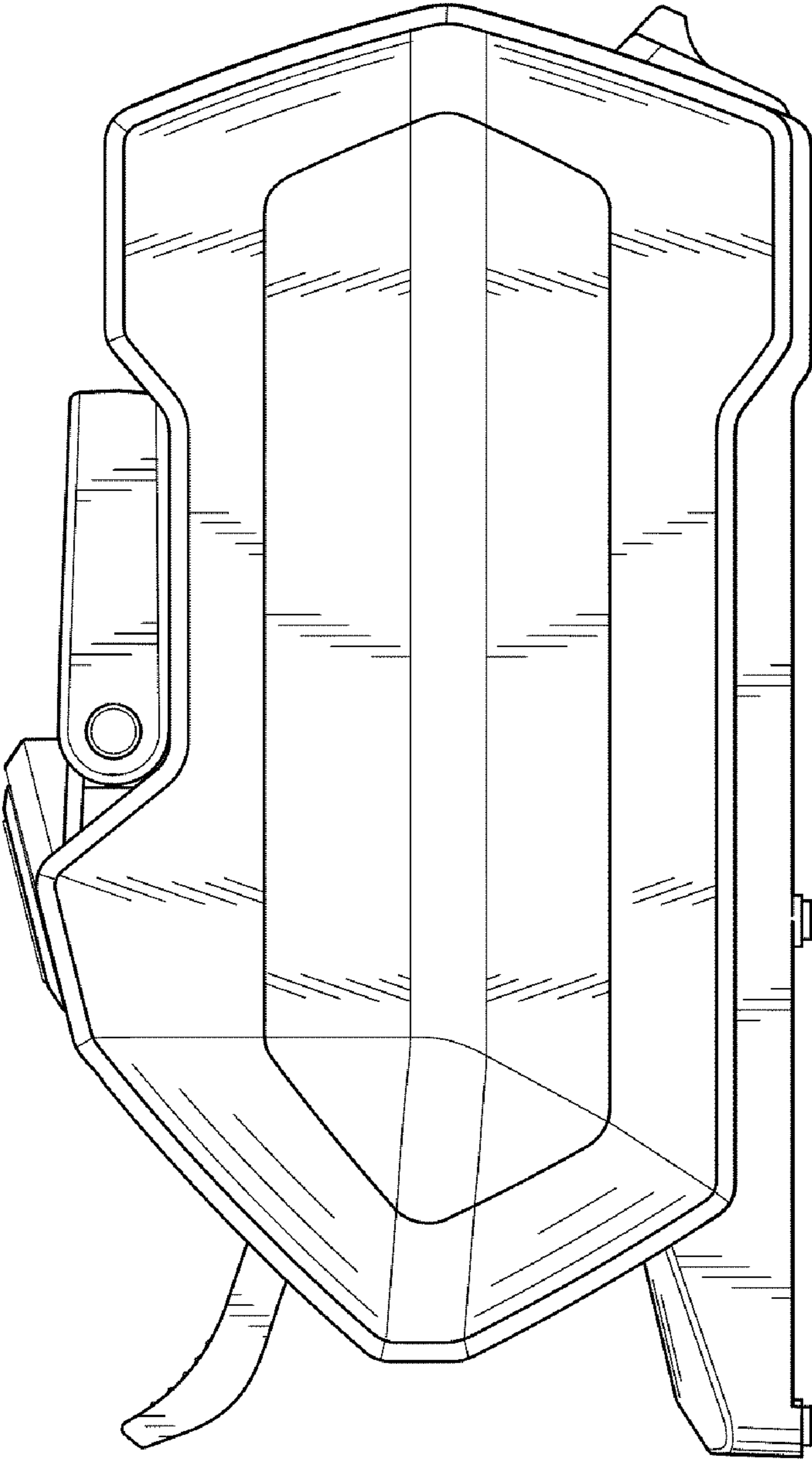


FIG. 5

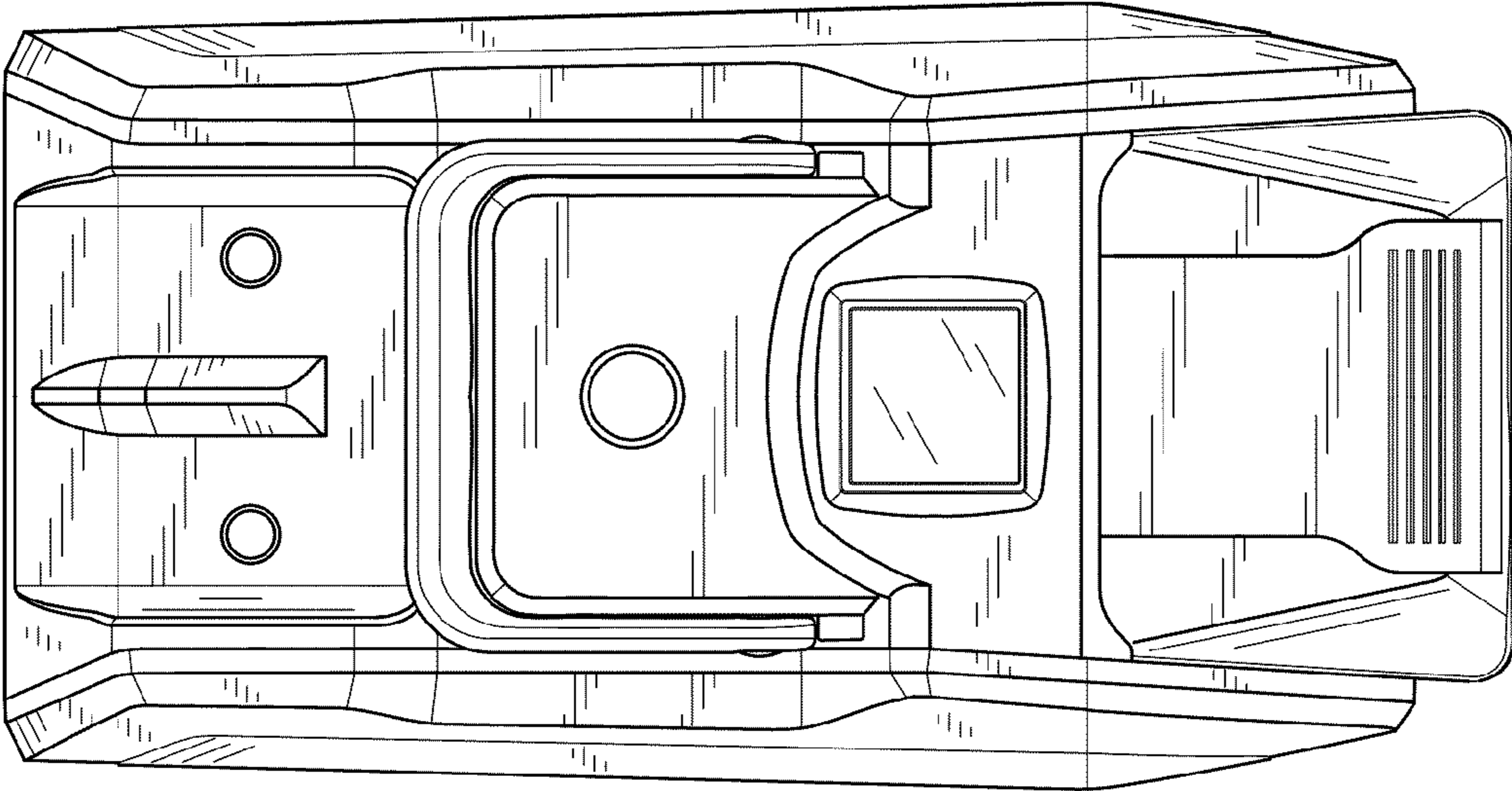


FIG. 6

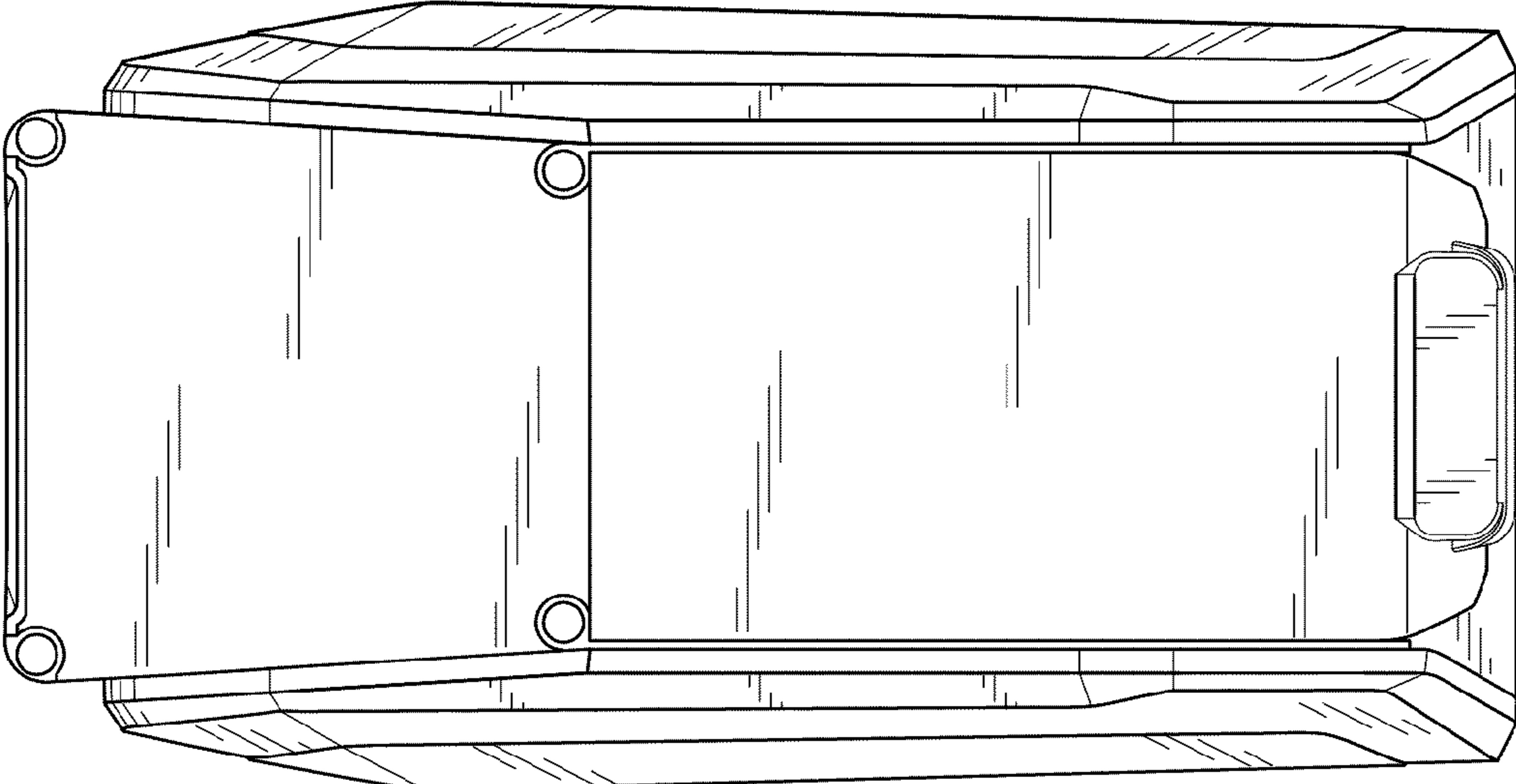


FIG. 7

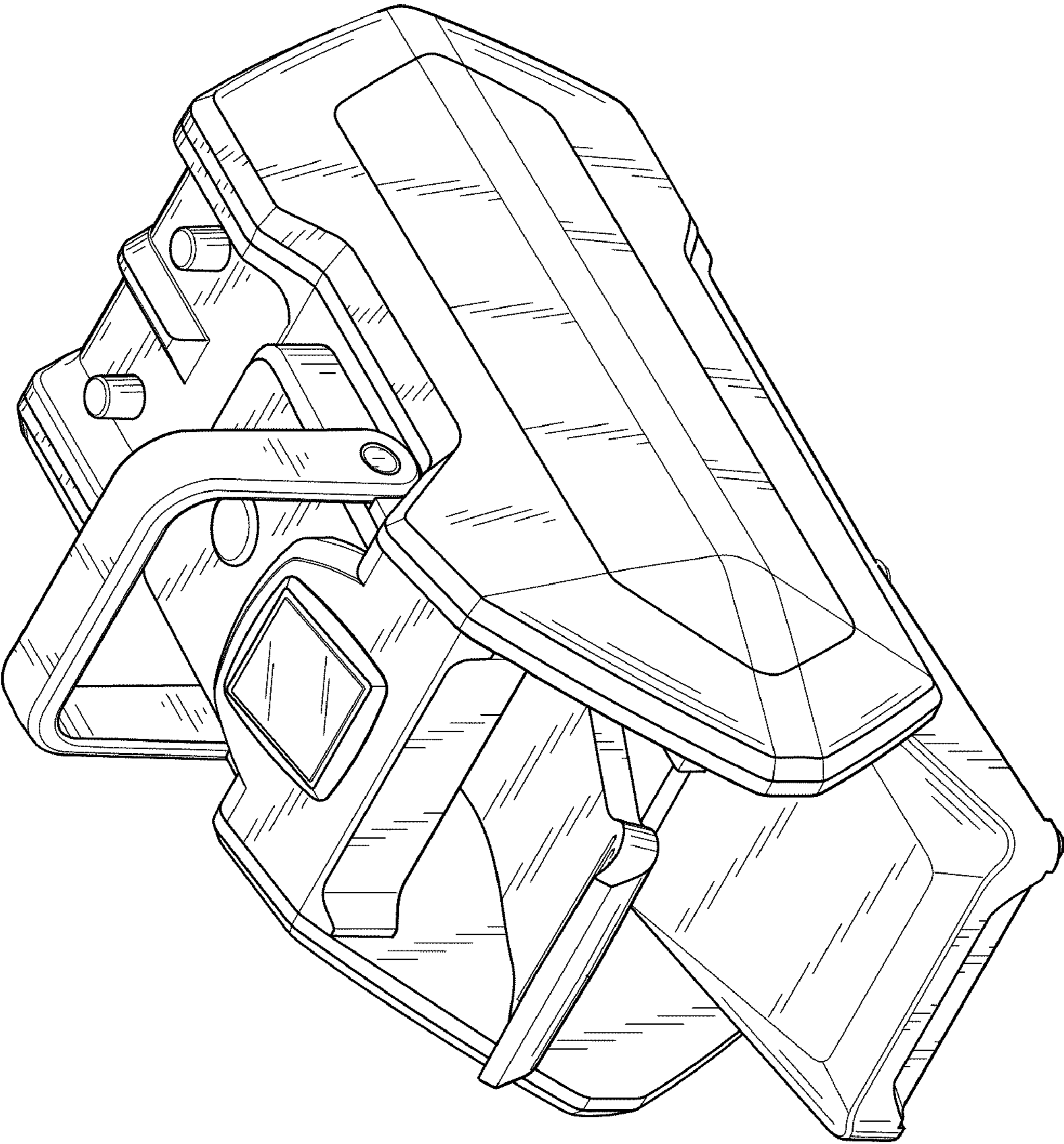


FIG. 8

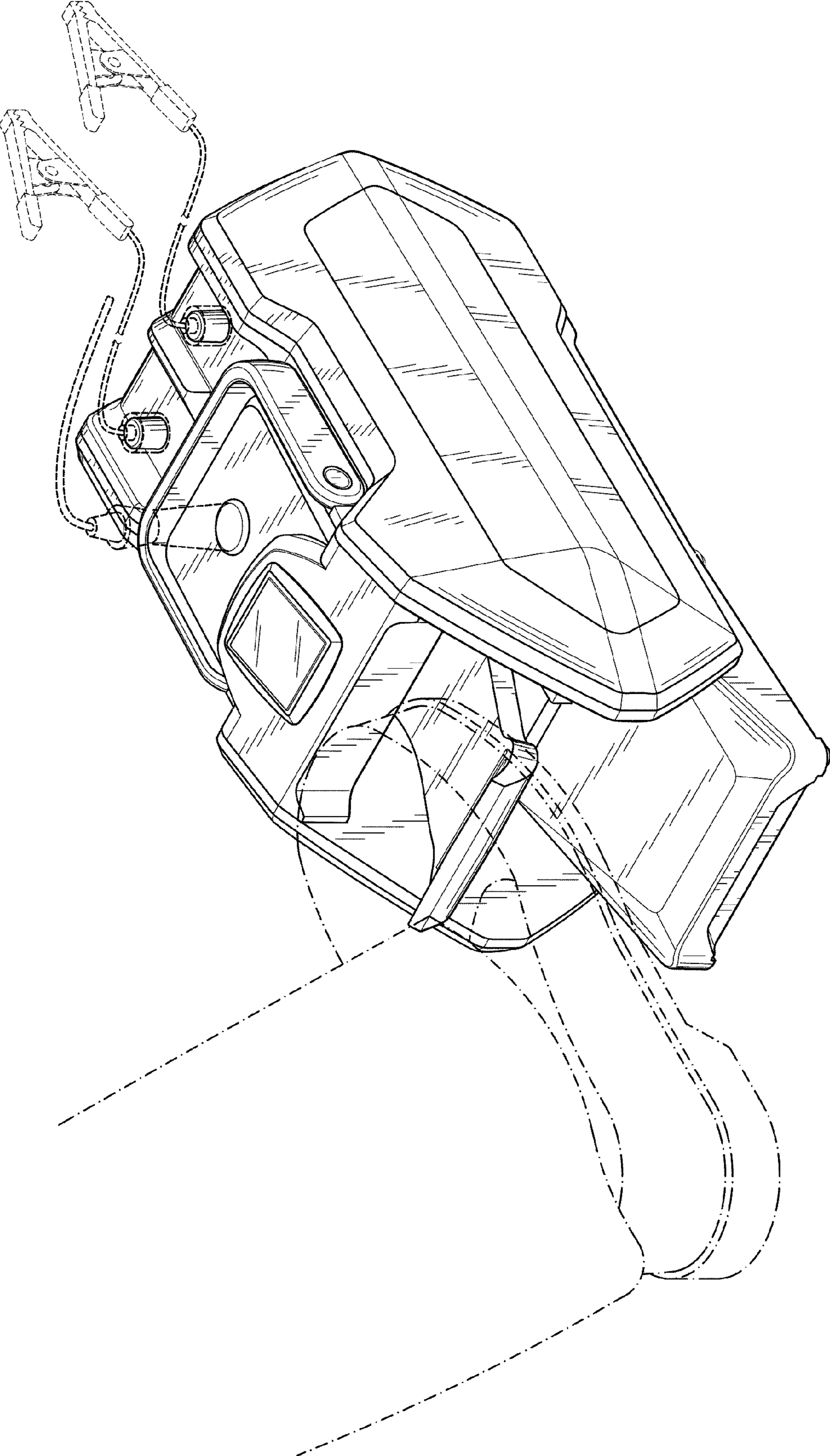


FIG. 9