



US00D653615S

(12) **United States Design Patent**  
**Au**

(10) **Patent No.:** **US D653,615 S**

(45) **Date of Patent:** **\*\* Feb. 7, 2012**

(54) **CUBE TRAVEL CHARGER**

(75) Inventor: **Ka Hung Au**, Hong Kong (CN)

(73) Assignee: **Ever Win International Corporation**,  
City of Industry, CA (US)

(\*\*) Term: **14 Years**

(21) Appl. No.: **29/399,905**

(22) Filed: **Aug. 19, 2011**

(51) **LOC (9) Cl.** ..... **13-02**

(52) **U.S. Cl.** ..... **D13/108**

(58) **Field of Classification Search** ..... D13/107-110,  
D13/118-119, 138.1-138.2, 184, 199; D14/251,  
D14/253, 432, 434; 320/107-115  
See application file for complete search history.

(56) **References Cited**

**U.S. PATENT DOCUMENTS**

D209,403 S *	11/1967	Watanabe	.....	D13/110
D212,763 S *	11/1968	Schellens	.....	D13/110
D573,946 S *	7/2008	Ledbetter et al.	.....	D13/110
D610,992 S *	3/2010	Fahrendorff et al.	.....	D13/138.1
D610,993 S *	3/2010	Fahrendorff et al.	.....	D13/138.1
D611,415 S *	3/2010	Andre et al.	.....	D13/138.1
D617,275 S *	6/2010	Fahrendorff et al.	.....	D13/138.1
D623,136 S *	9/2010	Andre et al.	.....	D13/138.1
D627,728 S *	11/2010	Smith et al.	.....	D13/138.1
D627,729 S *	11/2010	Smith et al.	.....	D13/138.1

D638,357 S *	5/2011	Sasada et al.	.....	D13/110
D642,524 S *	8/2011	Fitch et al.	.....	D13/110
2010/0117597 A1 *	5/2010	Wang	.....	320/111

\* cited by examiner

*Primary Examiner* — Rosemary K Tarcza

(74) *Attorney, Agent, or Firm* — Joe Nieh

(57) **CLAIM**

The ornamental design for a cube travel charger, as shown and described.

**DESCRIPTION**

FIG. 1 is a front perspective view of a cube travel charger with the prongs extended showing my new design;

FIG. 2 is a front perspective view thereof with the prongs folded;

FIG. 3 is a rear perspective view thereof with the prongs folded;

FIG. 4 is a front view thereof;

FIG. 5 is a top plan view thereof;

FIG. 6 is a rear view thereof;

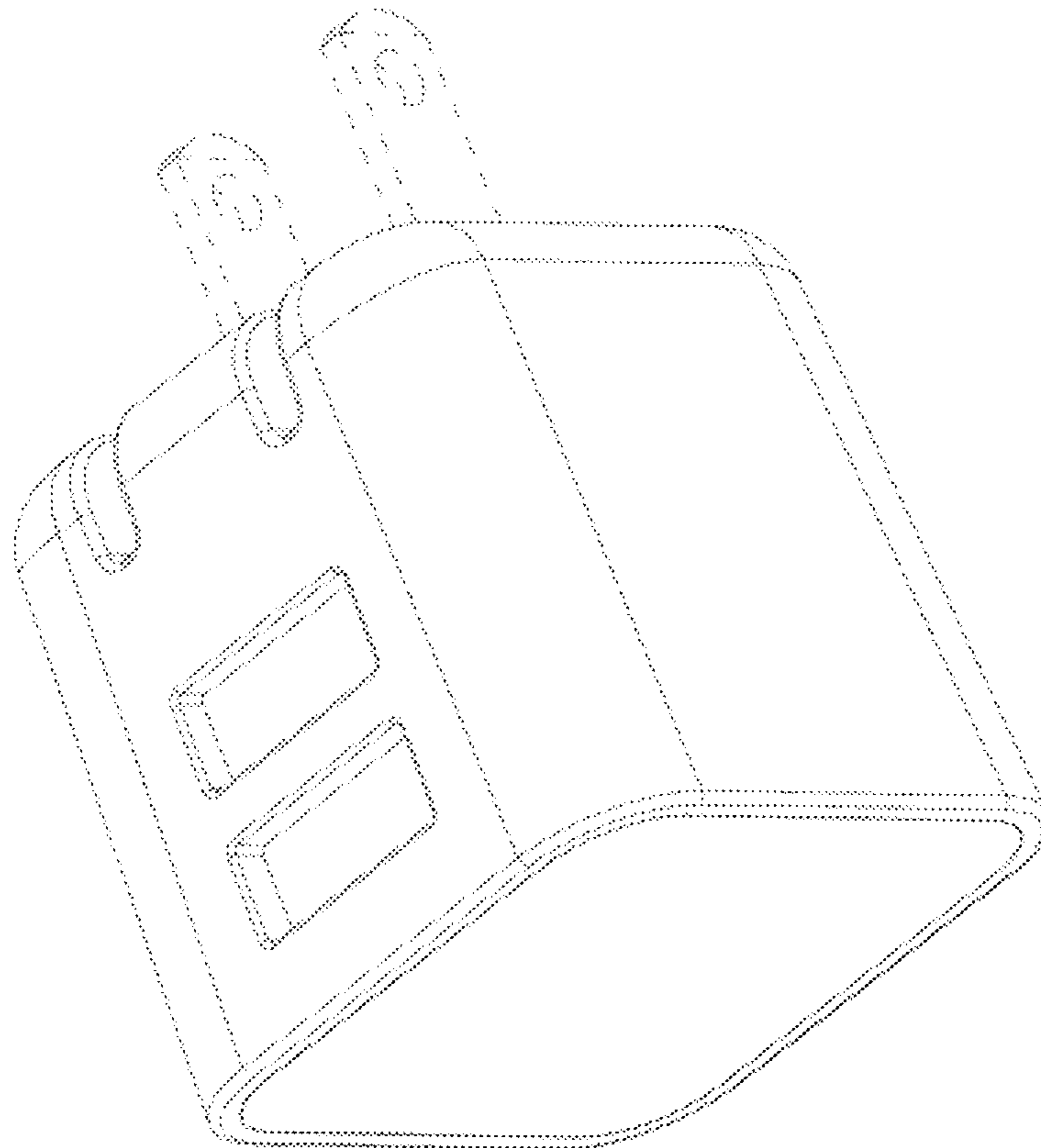
FIG. 7 is a bottom plan view thereof;

FIG. 8 is a left side view thereof; and,

FIG. 9 is a right side view thereof.

The broken lines shown in the drawings are included for the purpose of illustrating unclaimed portions of the cube travel charger and form no part of the claimed design.

**1 Claim, 9 Drawing Sheets**



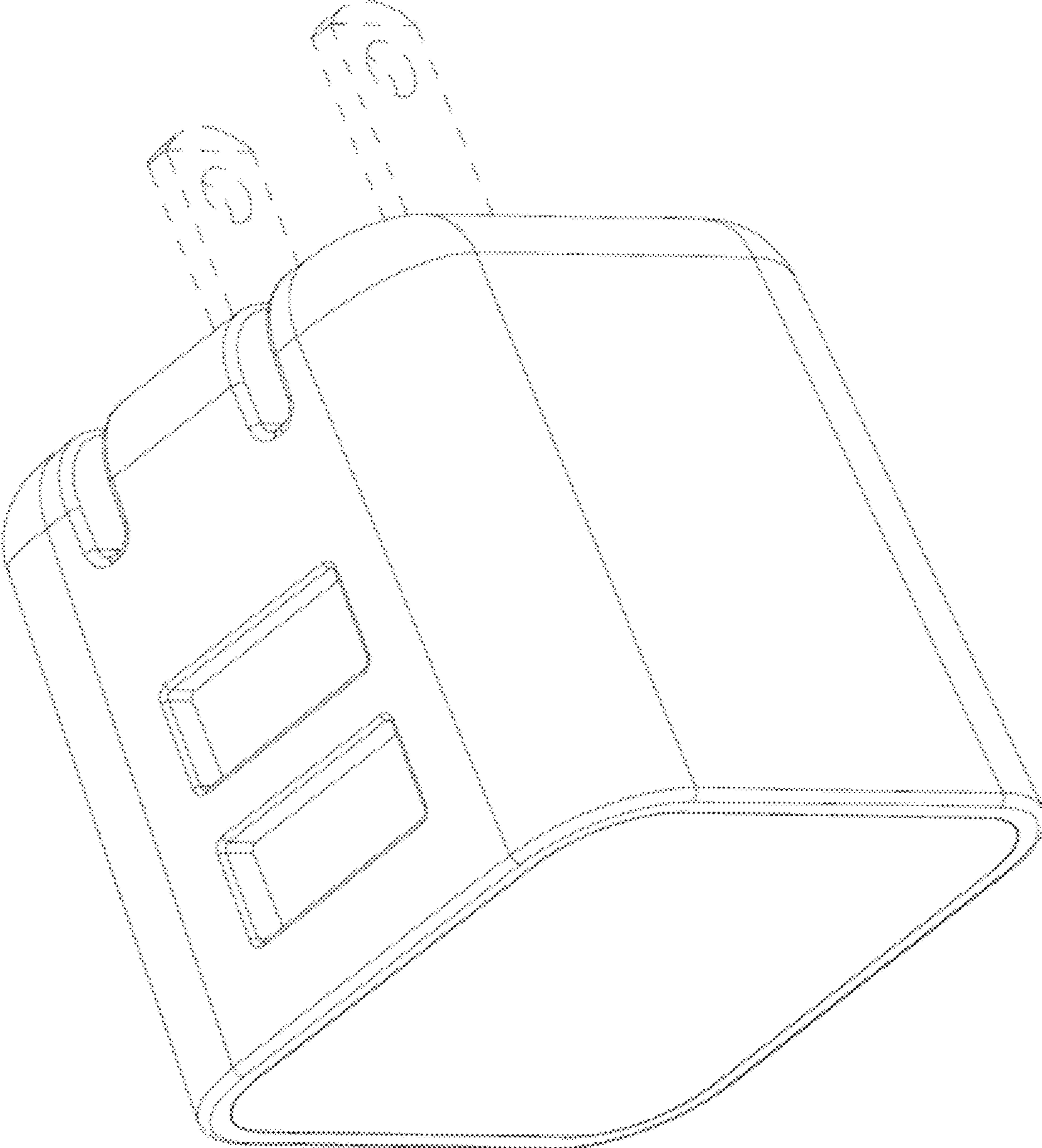


Fig. 1

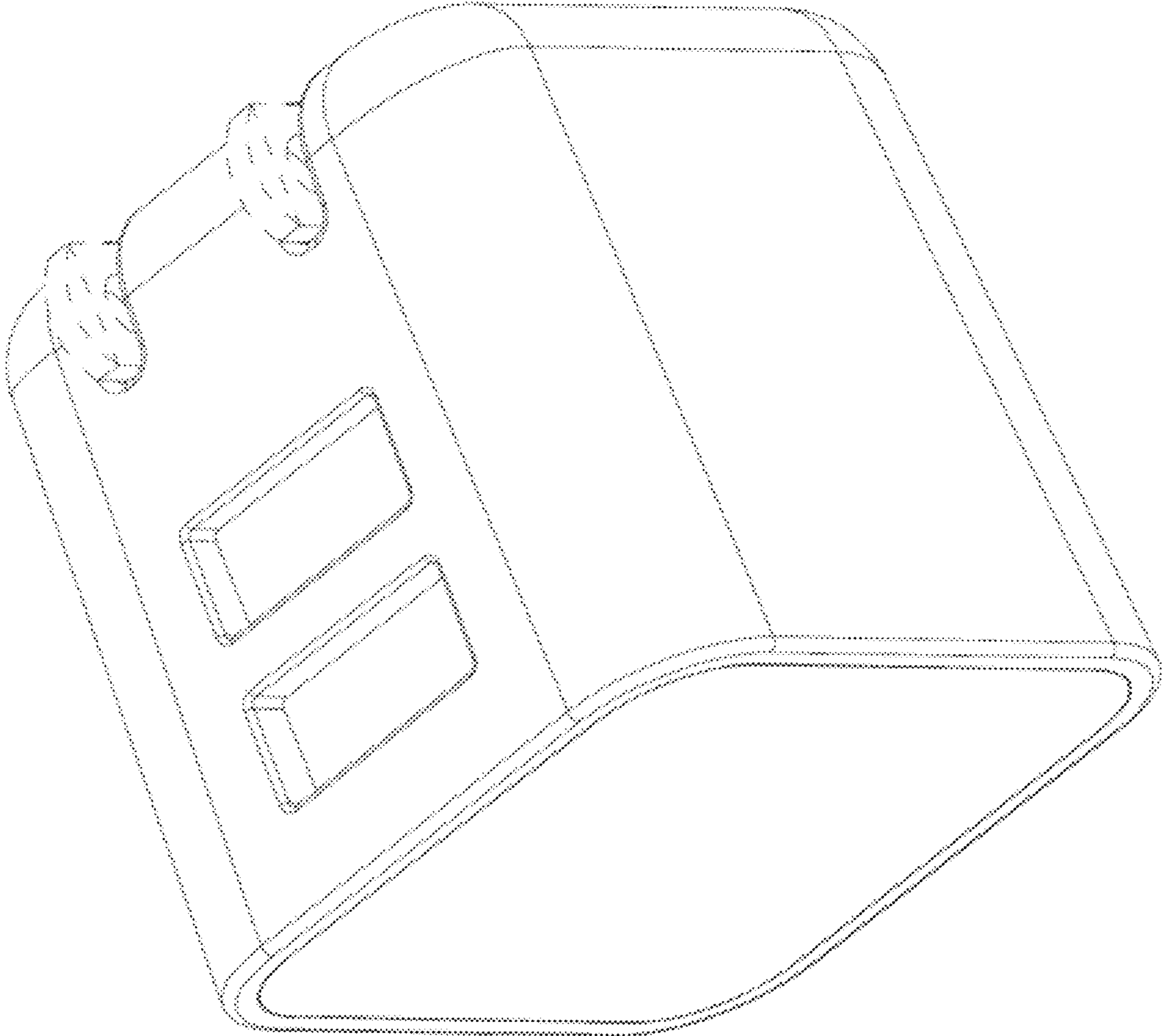


Fig. 2

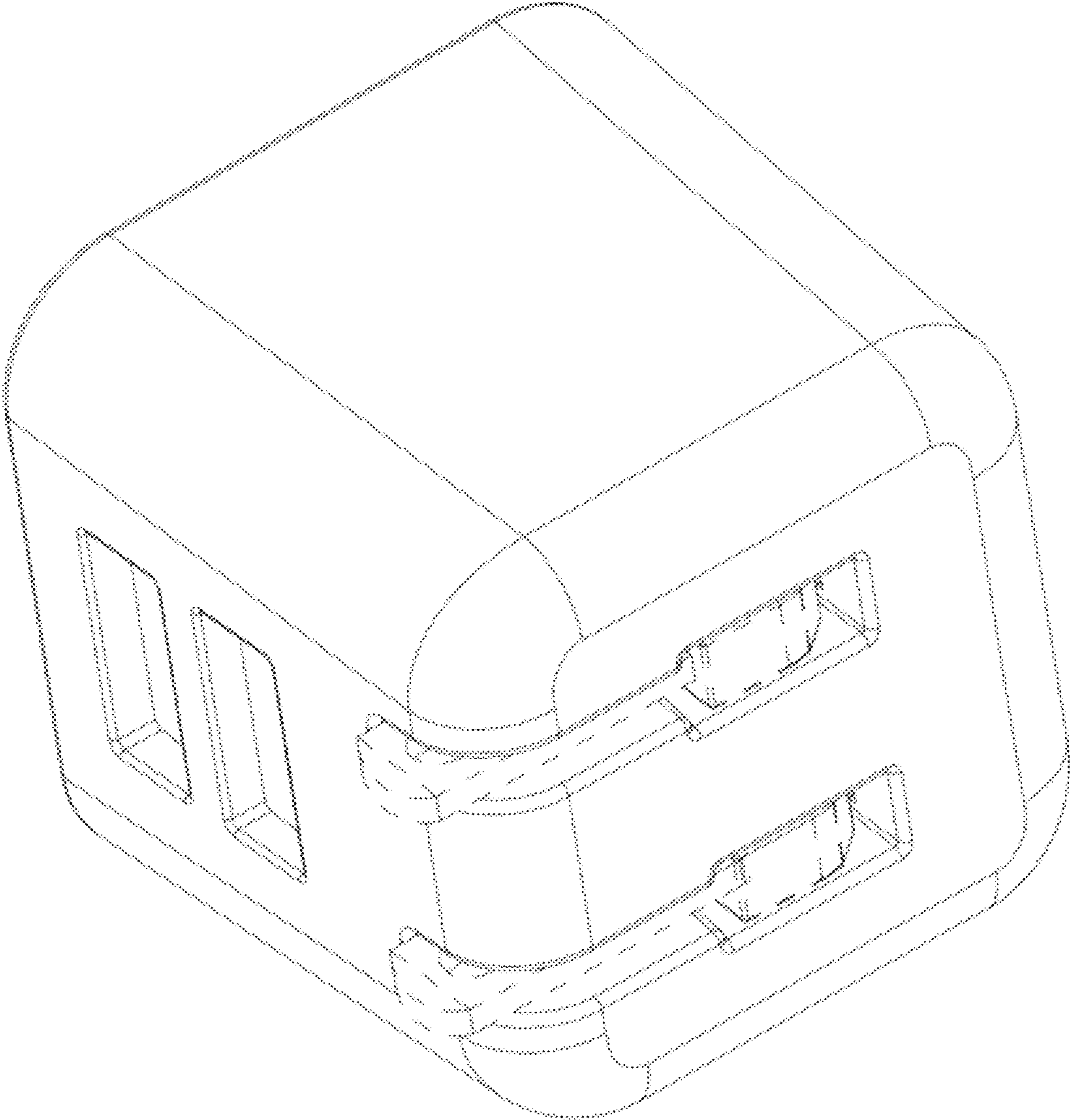


Fig. 3



Fig. 4

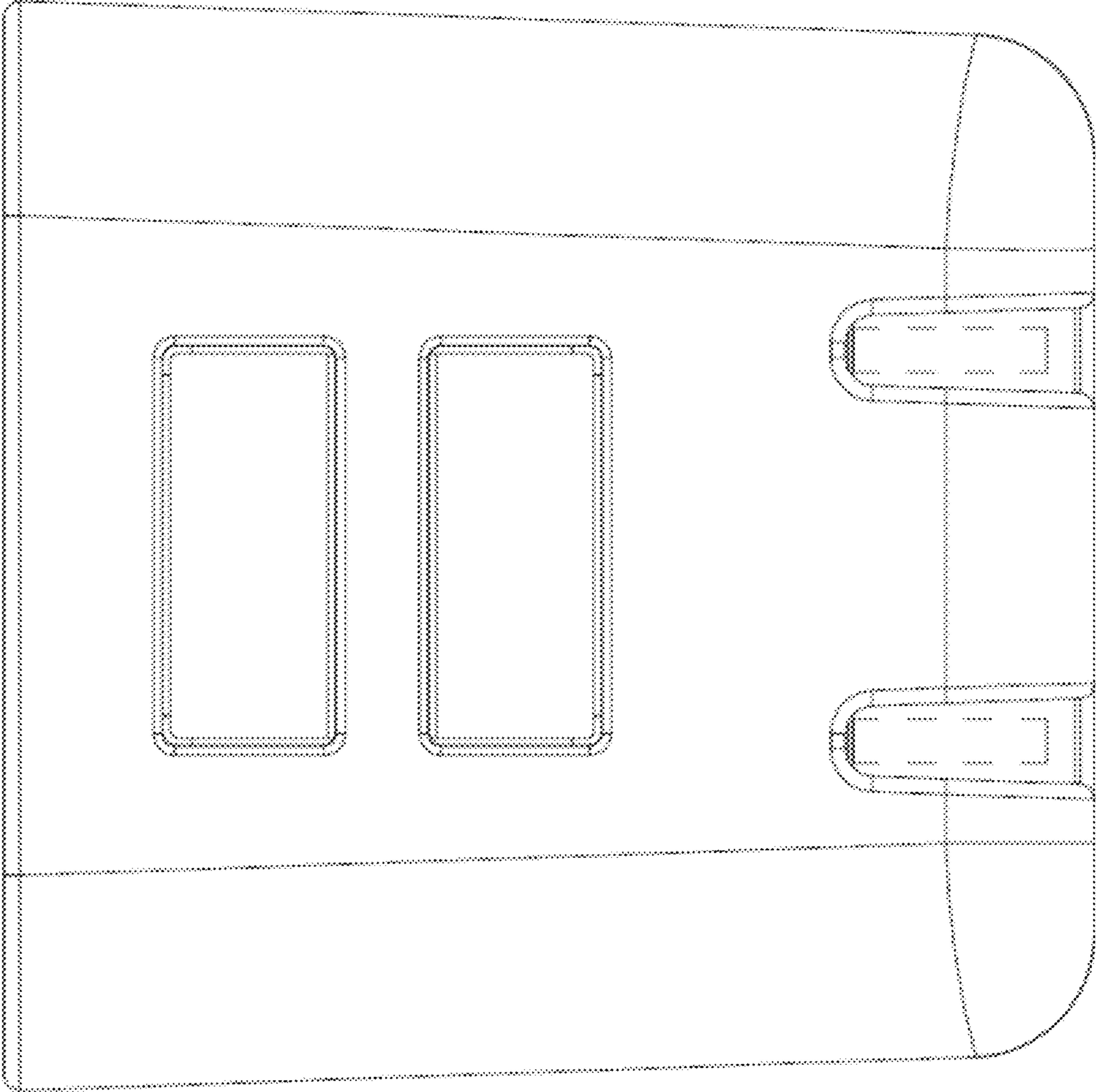


Fig. 5

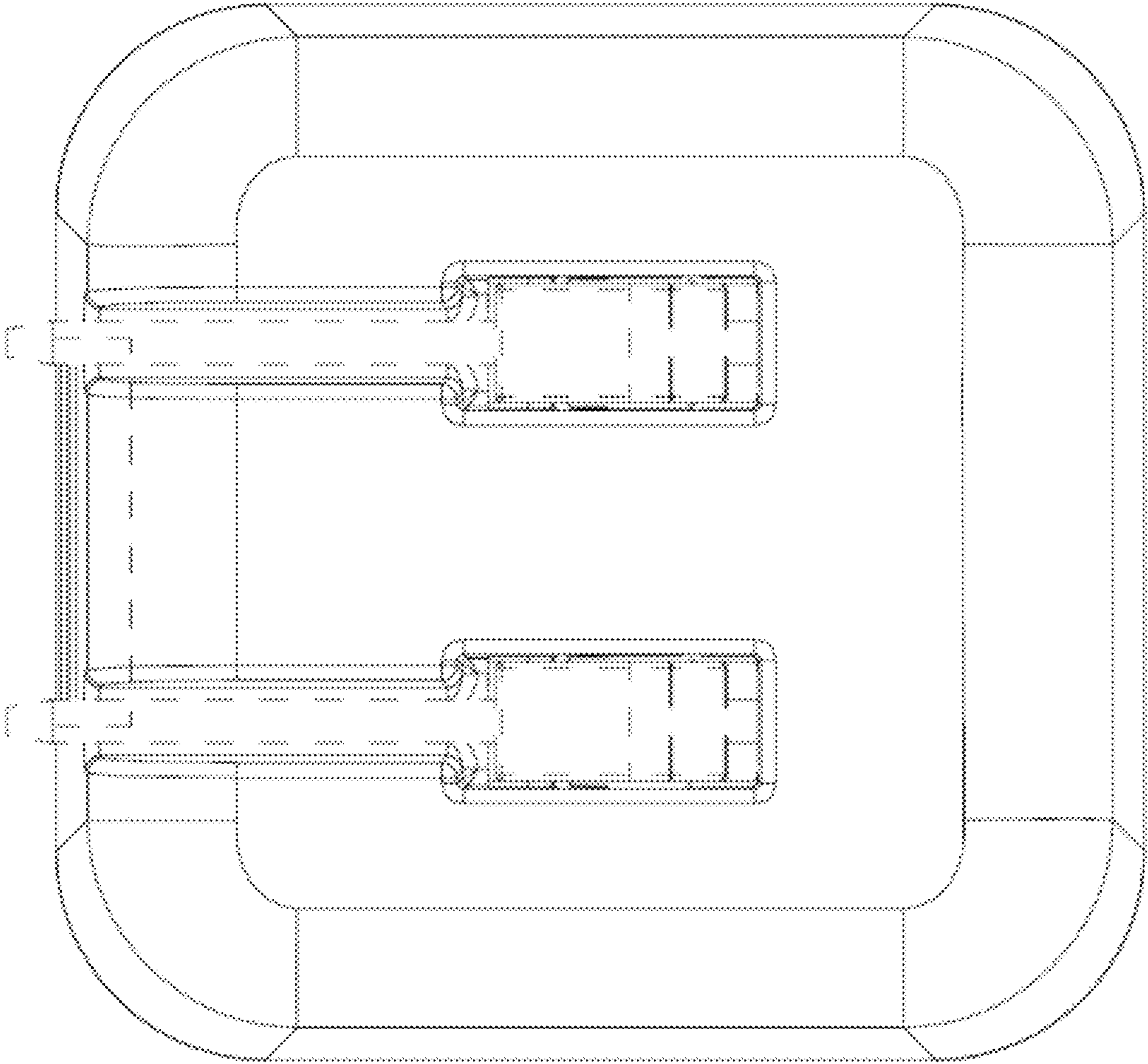


Fig. 6

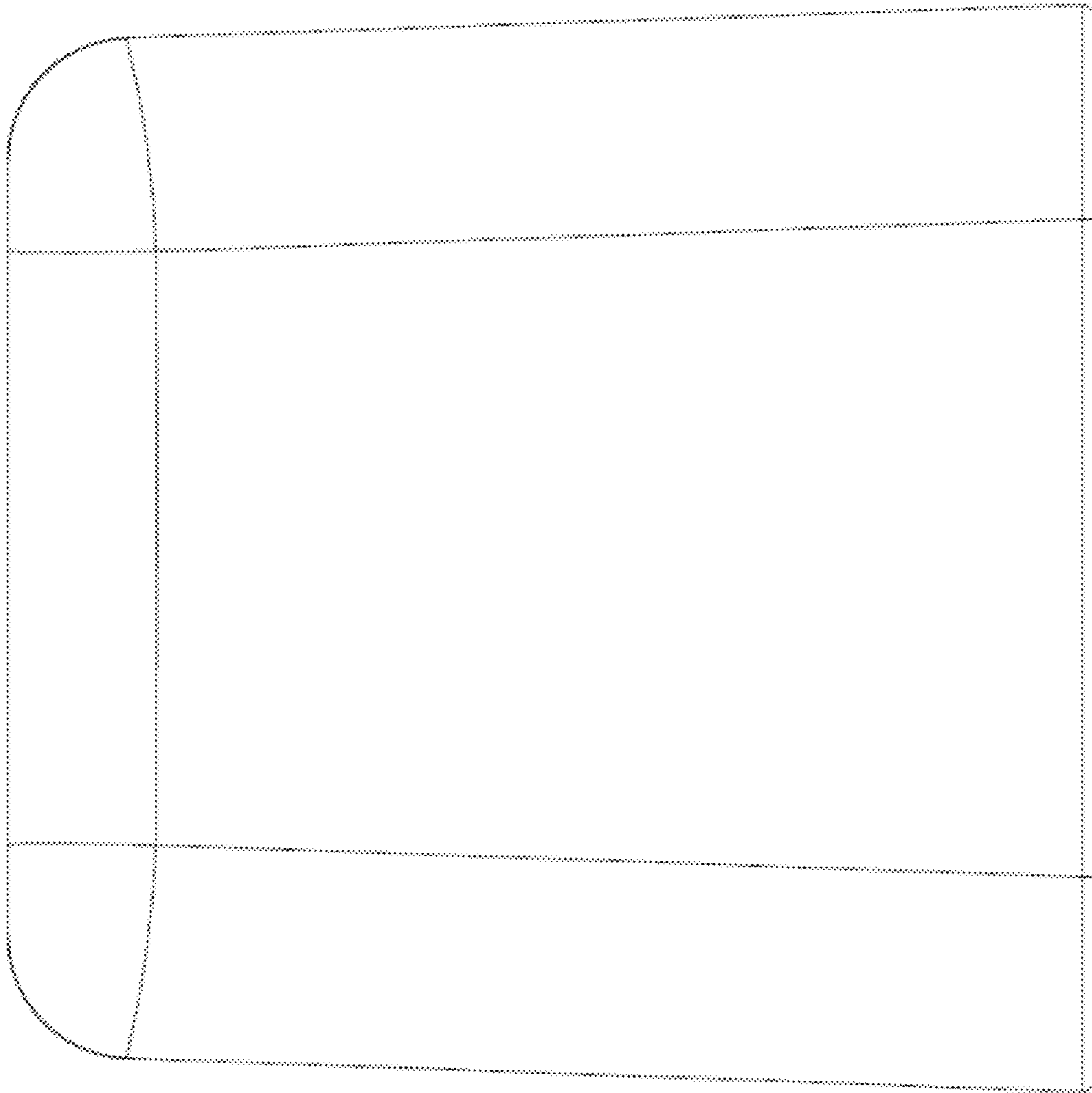


Fig. 7



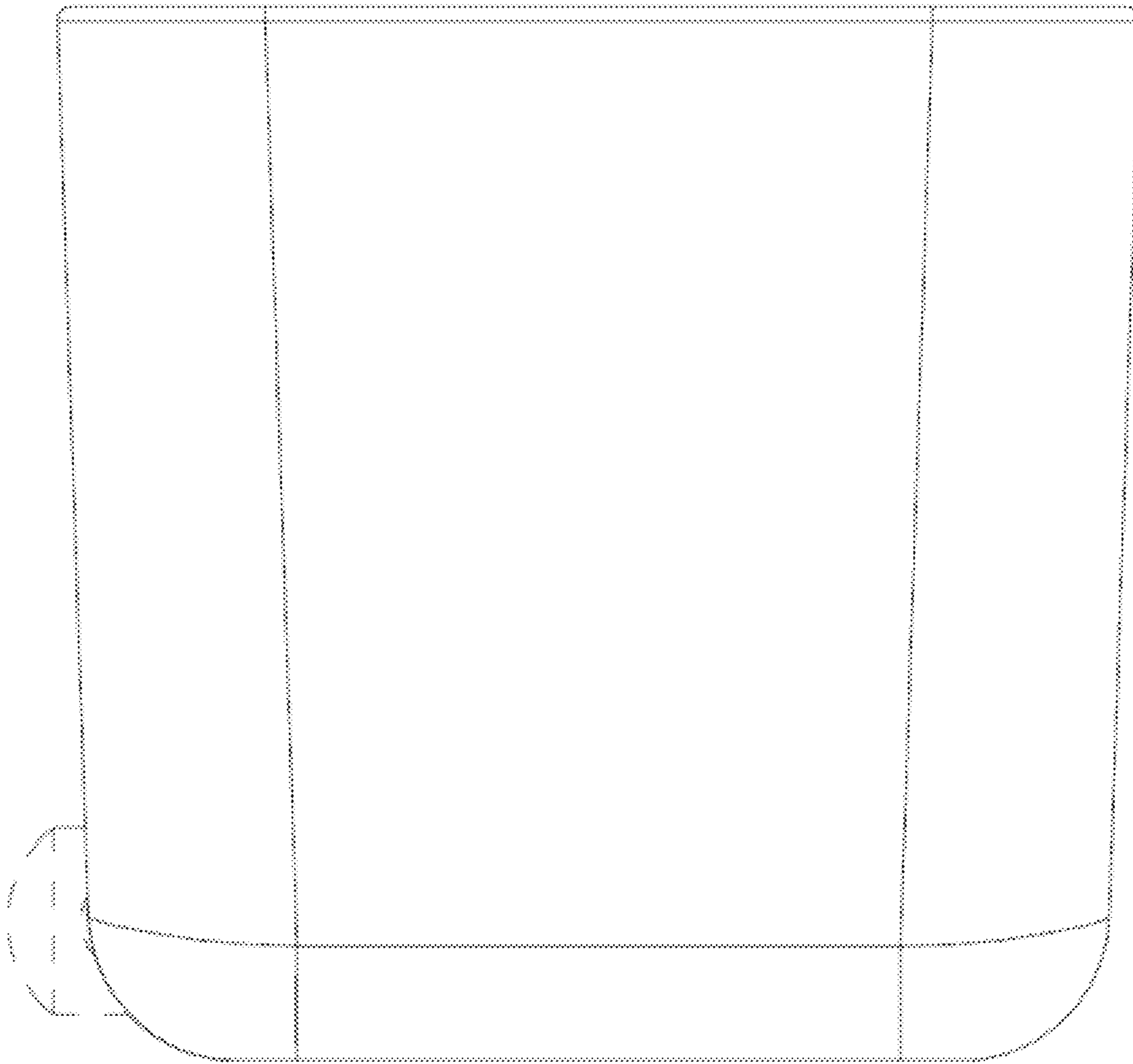


Fig. 8

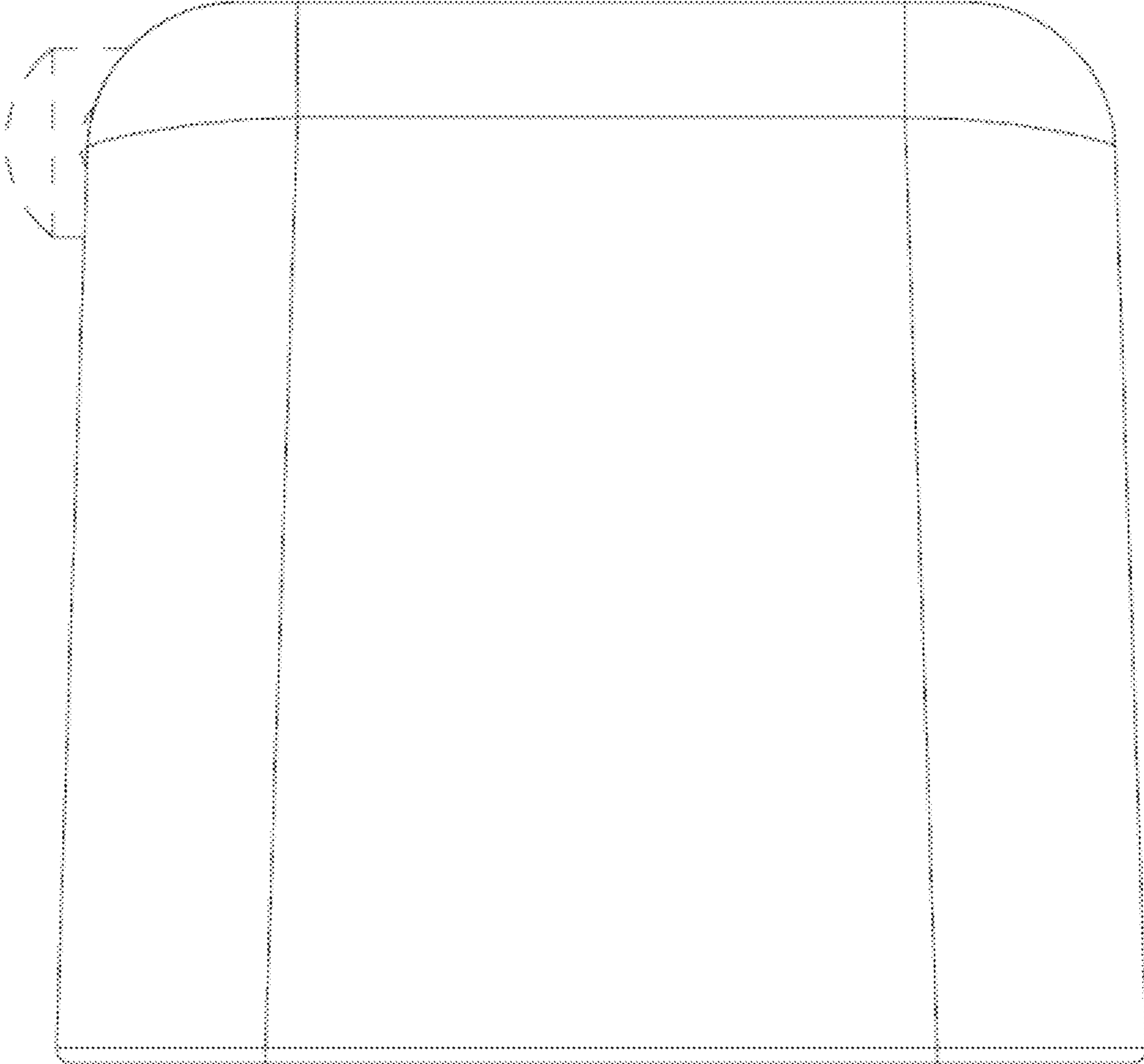


Fig. 9