



US00D653614S

(12) **United States Design Patent**
Au

(10) **Patent No.:** **US D653,614 S**
(45) **Date of Patent:** **** Feb. 7, 2012**

(54) **CUBE TRAVEL CHARGER**

(75) Inventor: **Ka Hung Au**, Hong Kong (CN)

(73) Assignee: **Ever Win International Corporation**,
City of Industry, CA (US)

(**) Term: **14 Years**

(21) Appl. No.: **29/399,902**

(22) Filed: **Aug. 19, 2011**

(51) **LOC (9) Cl.** **13-02**

(52) **U.S. Cl.** **D13/108**

(58) **Field of Classification Search** D13/107-110,
D13/118-119, 138.1-138.2, 184, 199; D14/251,
D14/253, 432, 434; 320/107-115
See application file for complete search history.

(56) **References Cited**

U.S. PATENT DOCUMENTS

D209,403 S *	11/1967	Watanabe	D13/110
D212,763 S *	11/1968	Schellens	D13/110
D573,946 S *	7/2008	Ledbetter et al.	D13/110
D610,992 S *	3/2010	Fahrendorff et al.	D13/138.1
D610,993 S *	3/2010	Fahrendorff et al.	D13/138.1
D611,415 S *	3/2010	Andre et al.	D13/138.1
D617,275 S *	6/2010	Fahrendorff et al.	D13/138.1
D623,136 S *	9/2010	Andre et al.	D13/138.1

D627,728 S *	11/2010	Smith et al.	D13/138.1
D627,729 S *	11/2010	Smith et al.	D13/138.1
D638,357 S *	5/2011	Sasada et al.	D13/110
D642,524 S *	8/2011	Fitch et al.	D13/110
2010/0117597 A1 *	5/2010	Wang	320/111

* cited by examiner

Primary Examiner — Rosemary K Tarcza
(74) *Attorney, Agent, or Firm* — Joe Nieh

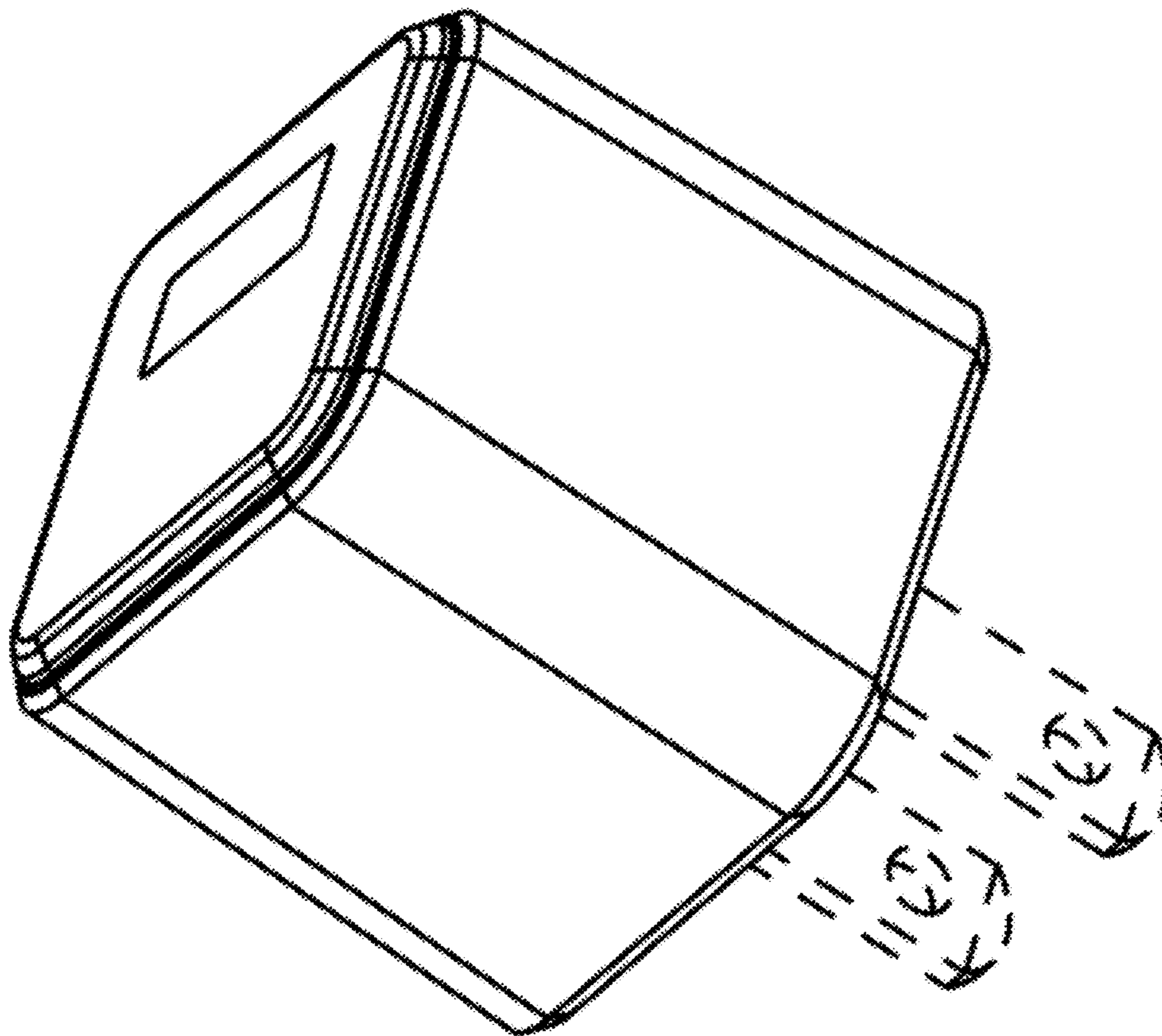
(57) **CLAIM**

The ornamental design for a cube travel charger, as shown and described.

DESCRIPTION

FIG. 1 is a front perspective view of a cube travel charger showing my new design;
FIG. 2 is a rear perspective view thereof;
FIG. 3 is a front view thereof;
FIG. 4 is a left side view thereof;
FIG. 5 is a right side view thereof;
FIG. 6 is a rear view thereof;
FIG. 7 is a top plan view thereof; and,
FIG. 8 is a bottom plan view thereof.
The broken lines shown in the drawings are included for the purpose of illustrating unclaimed portions of the cube travel charger and form no part of the claimed design.

1 Claim, 8 Drawing Sheets



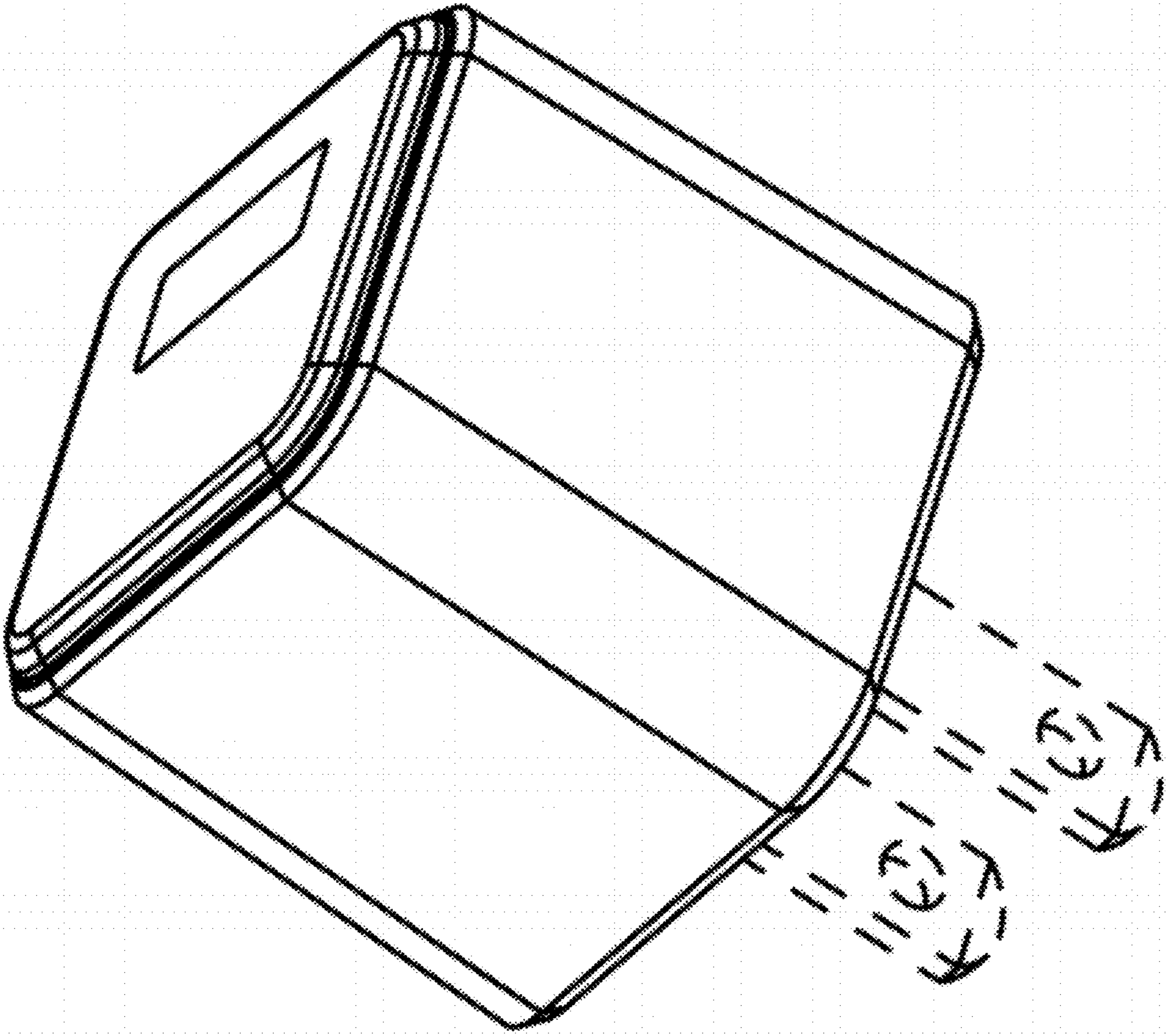


Fig. 1

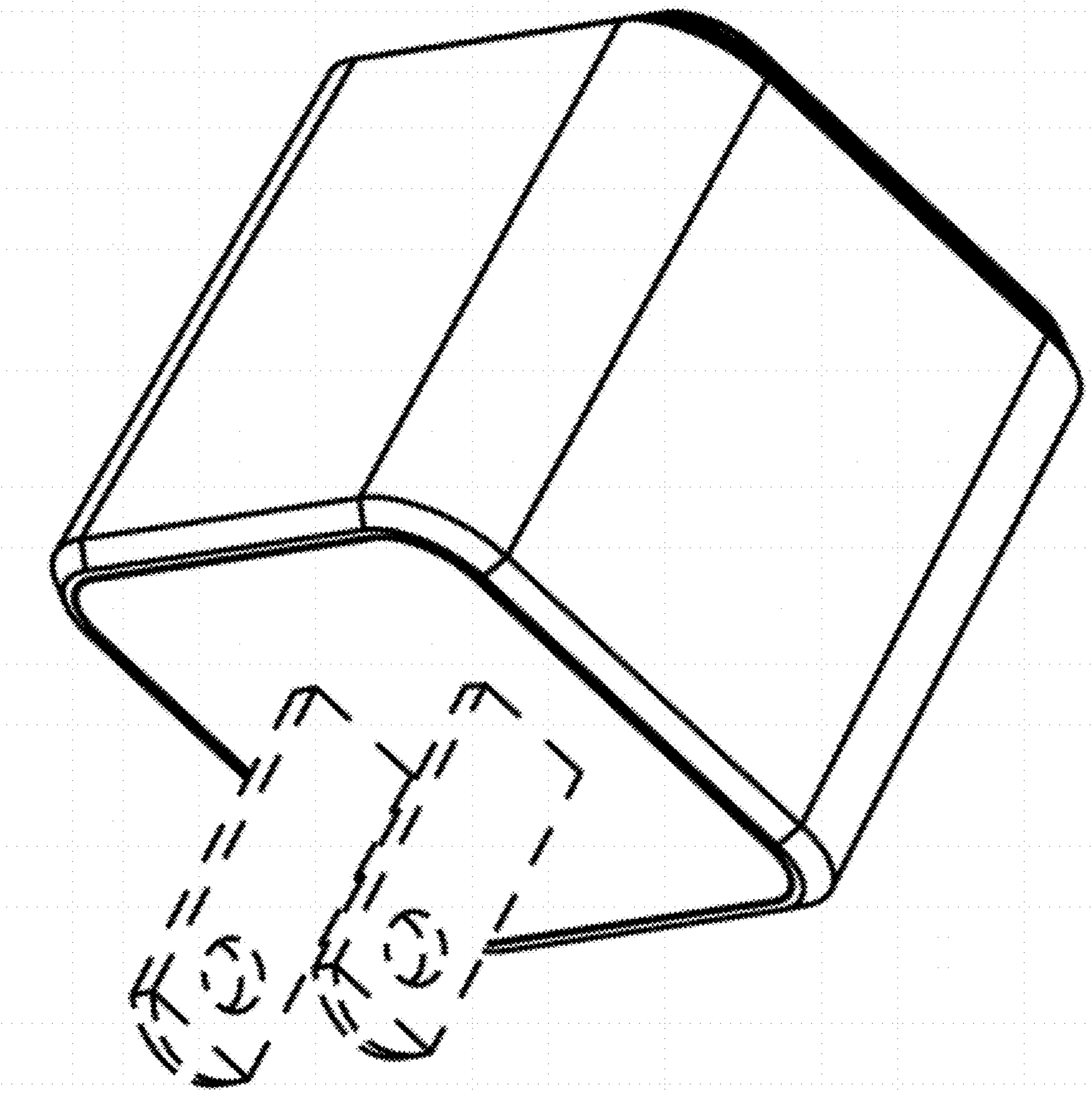


Fig. 2

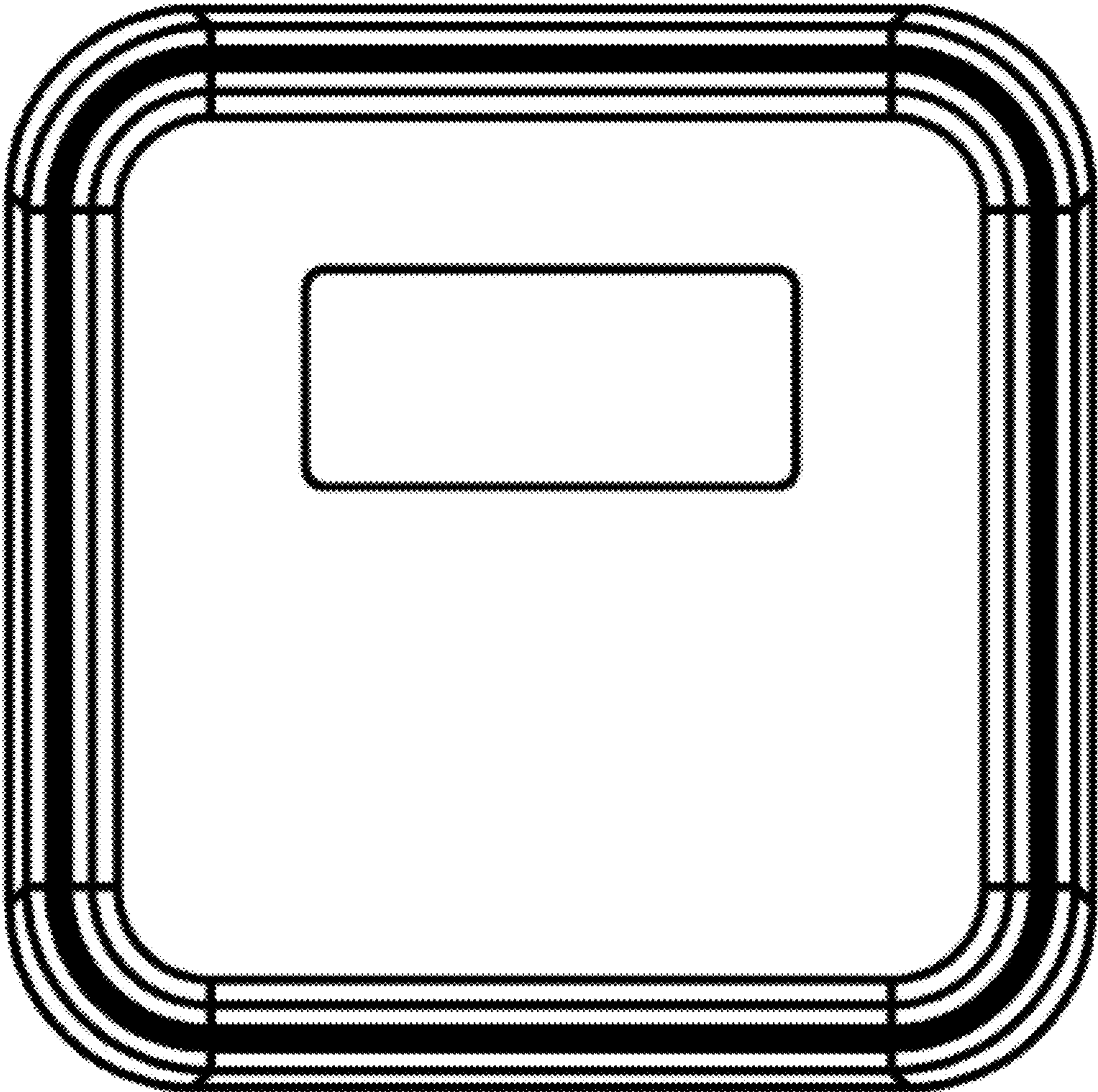


Fig. 3

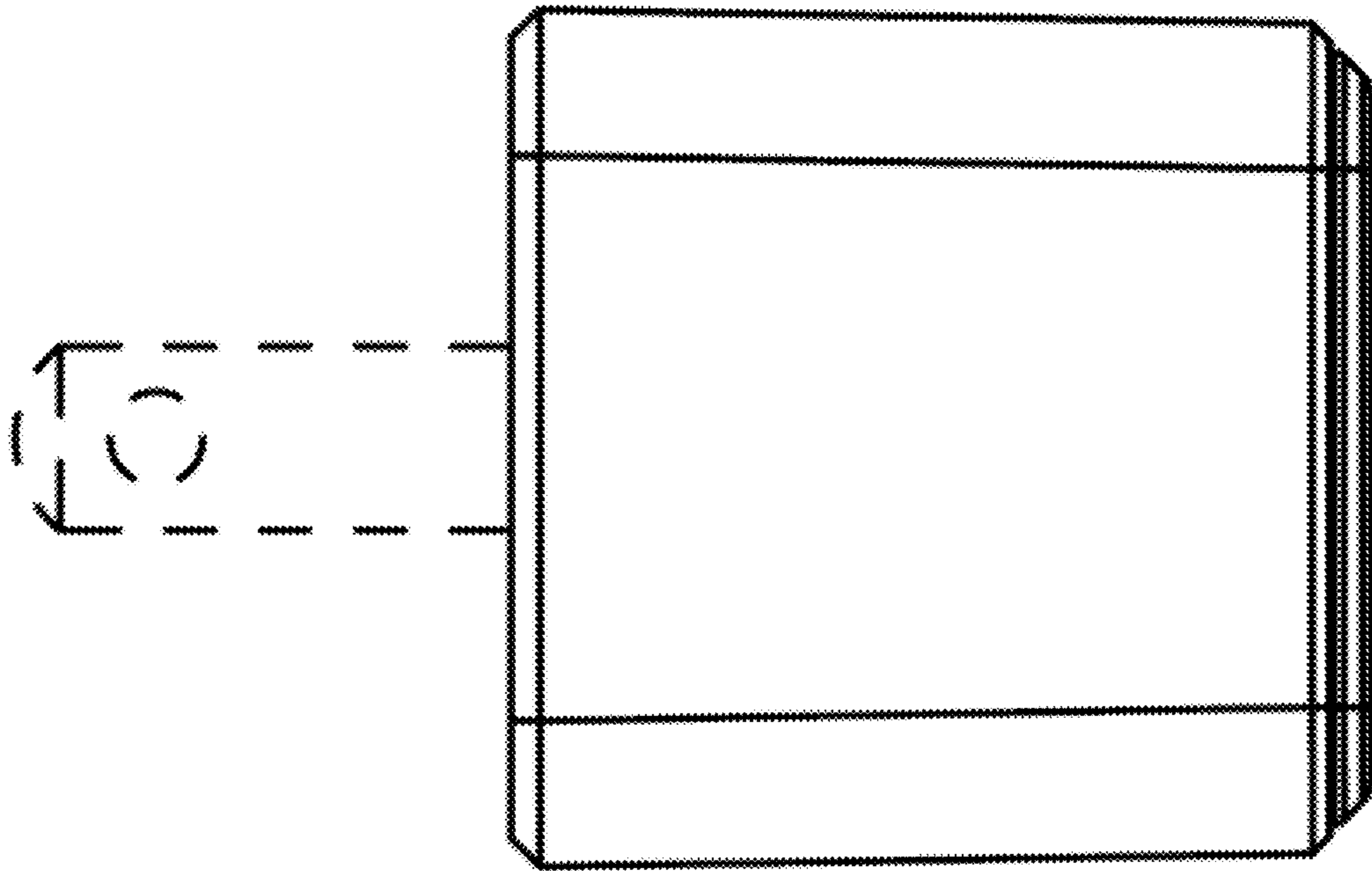


Fig. 4

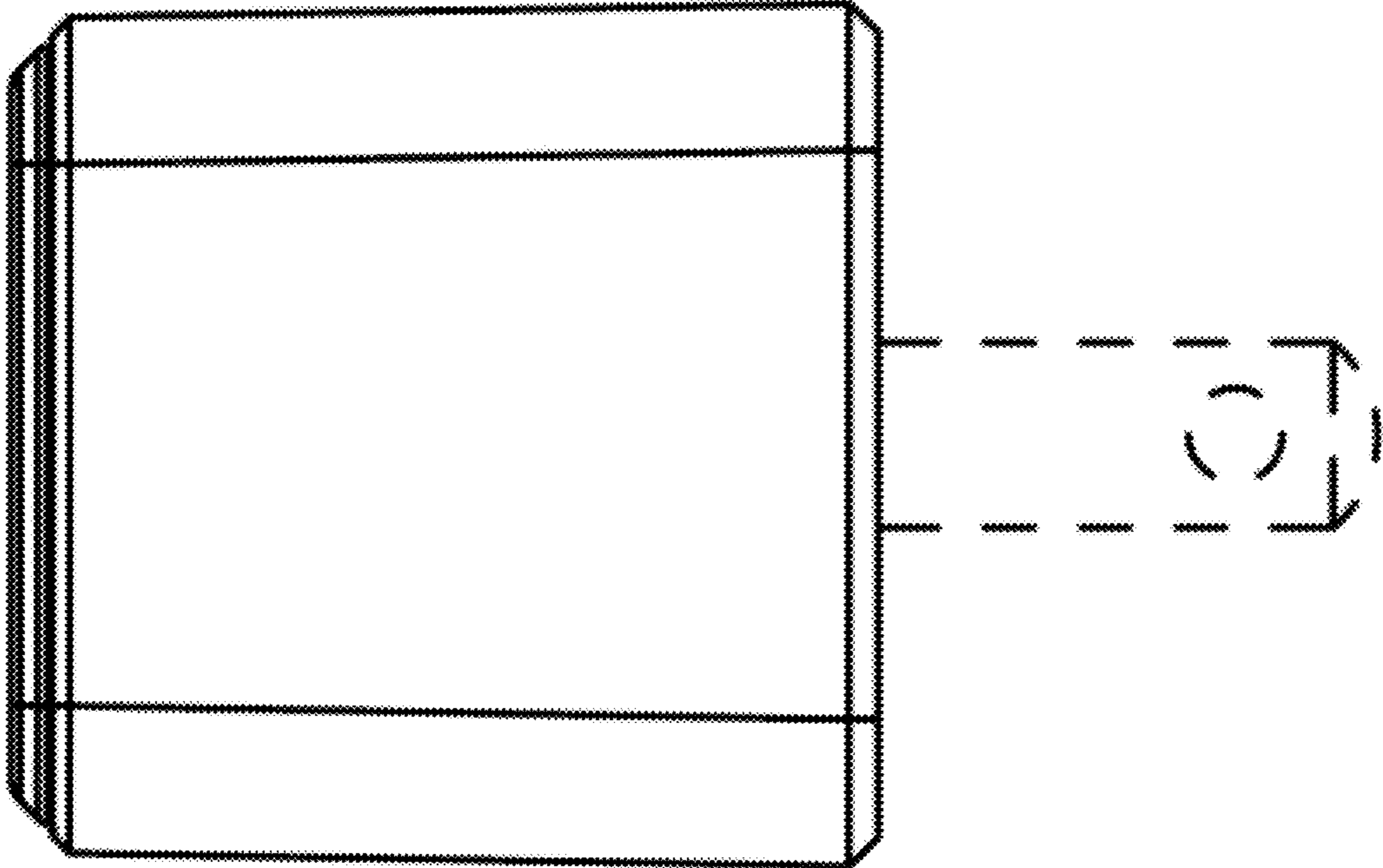


Fig. 5

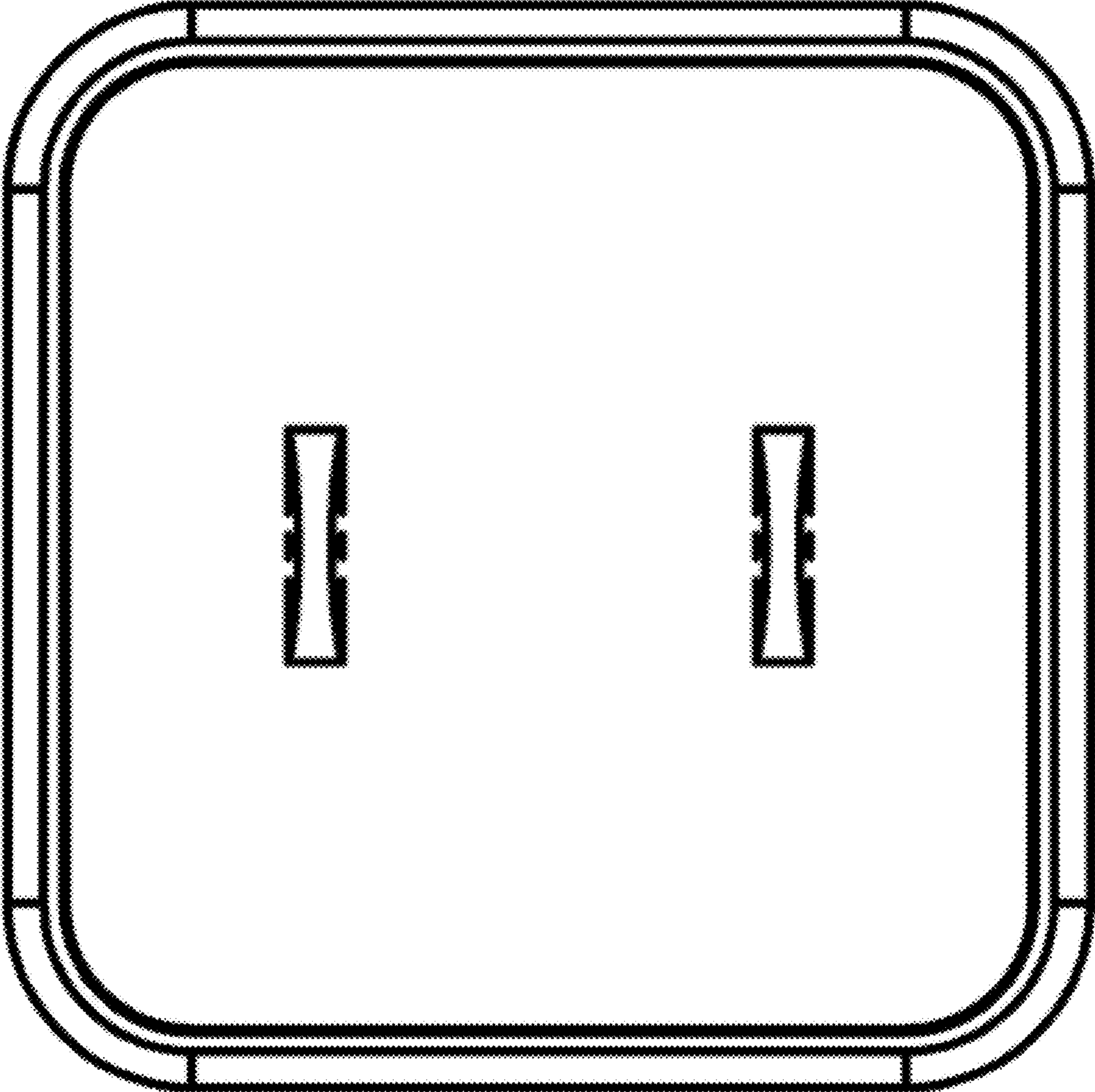


Fig. 6

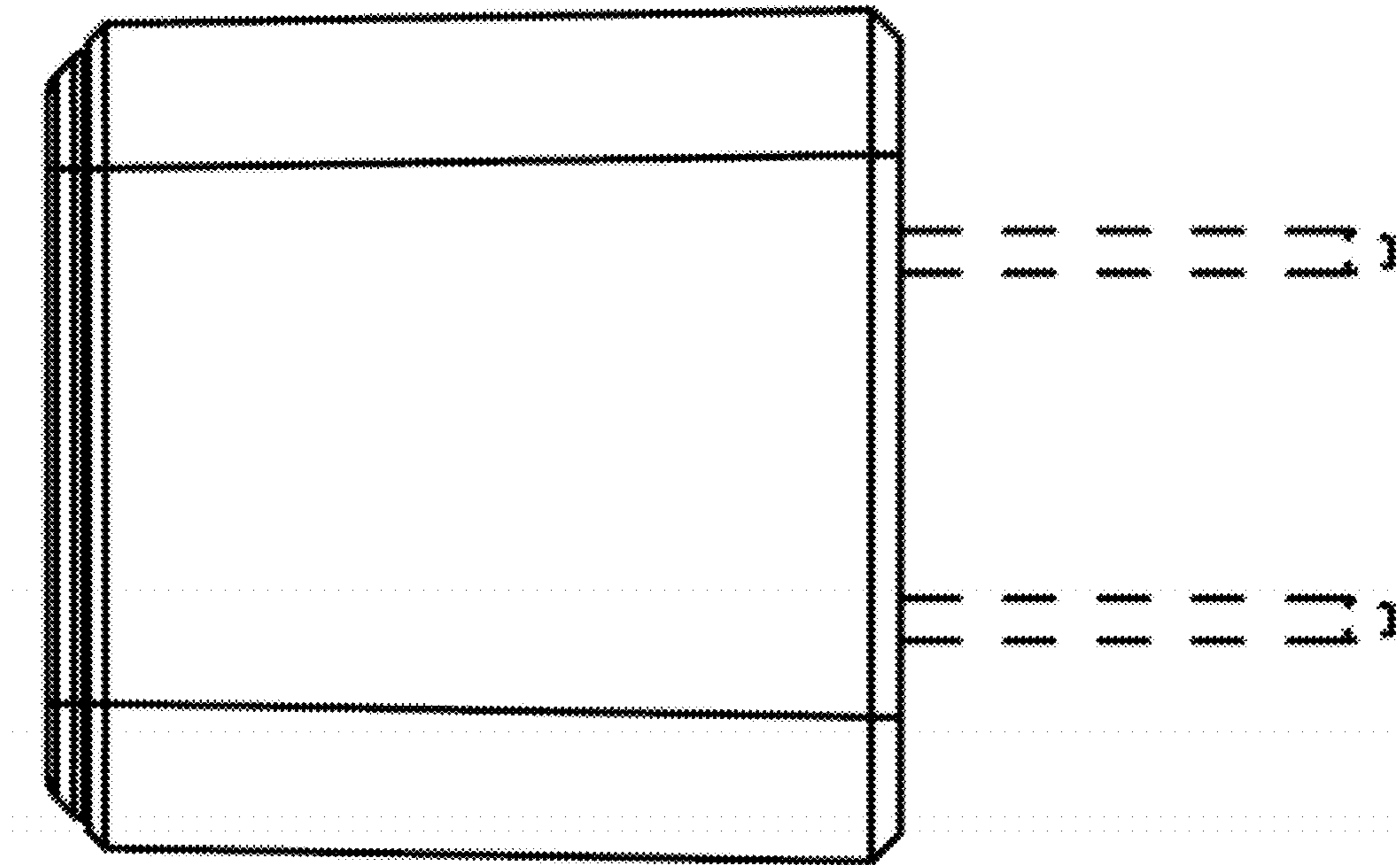


Fig. 7

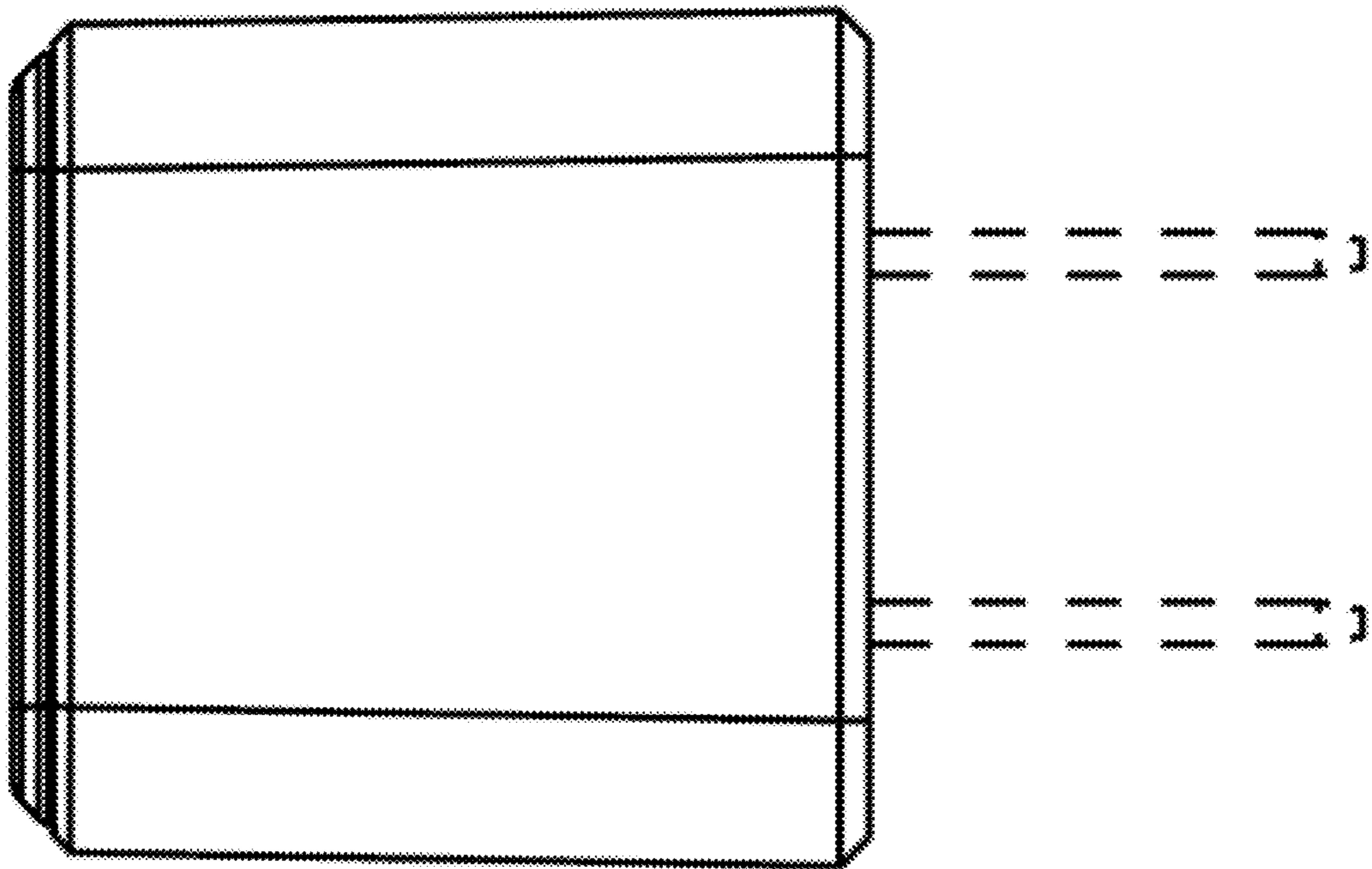


Fig. 8