



US00D653612S

(12) **United States Design Patent**
DuMelle et al.

(10) **Patent No.:** **US D653,612 S**

(45) **Date of Patent:** **** Feb. 7, 2012**

(54) **JUMP STARTER**

(75) Inventors: **Barbara Margaret DuMelle**, Niles, IL (US); **Christopher Michael Kubik**, Chicago, IL (US); **Patrick J. Clarke**, St. Charles, IL (US); **Samuel Weisbard**, Highland Park, IL (US); **Joseph J. Zenkus**, Lake in the Hills, IL (US); **Mark Kurth**, Chicago, IL (US); **Timothy Payne**, Chicago, IL (US); **Adam Callif**, Chicago, IL (US)

(73) Assignee: **Schumacher Electric Corporation**, Mt. Prospect, IL (US)

(**) Term: **14 Years**

(21) Appl. No.: **29/354,859**

(22) Filed: **Jan. 29, 2010**

(51) **LOC (9) Cl.** **13-02**

(52) **U.S. Cl.** **D13/107**

(58) **Field of Classification Search** D13/106-110,
D13/118-119, 184, 199; D15/9; 320/103-105,
320/107-115

See application file for complete search history.

(56) **References Cited**

U.S. PATENT DOCUMENTS

D258,818 S	4/1981	Johnson et al.
D264,962 S	6/1982	Fellmann
D304,928 S	12/1989	Mize
4,913,668 A	4/1990	Chamberlain
D322,060 S	12/1991	Lino
D333,121 S	2/1993	Craveiro
D346,149 S	4/1994	Deering

(Continued)

OTHER PUBLICATIONS

U.S. Appl. No. 29/354,853, filed Jan. 29, 2010, Barbara M. DuMelle.

(Continued)

Primary Examiner — Rosemary K Tarcza

(74) *Attorney, Agent, or Firm* — John S. Paniaguas; Katten Muchin Rosenman LLP

(57) **CLAIM**

The ornamental design for a jump starter, as shown and described.

DESCRIPTION

FIG. 1 is a front isometric view of a jump starter in accordance with one embodiment of the present invention.

FIG. 2 is a rear isometric view of the jump starter illustrated in FIG. 1.

FIG. 3 is a top plan view of the jump starter illustrated in FIG. 1.

FIG. 4 is a front elevation view of the jump starter illustrated in FIG. 1.

FIG. 5 is a left elevation view of the jump starter illustrated in FIG. 1.

FIG. 6 is a rear elevation view of the jump starter illustrated in FIG. 1.

FIG. 7 is a bottom plan view of the jump starter illustrated in FIG. 1.

FIG. 8 is a front isometric view of a jump starter in accordance with an alternate second embodiment of the present invention.

FIG. 9 is a rear isometric view of the jump starter illustrated in FIG. 8.

FIG. 10 is a bottom plan view of the jump starter illustrated in FIG. 8.

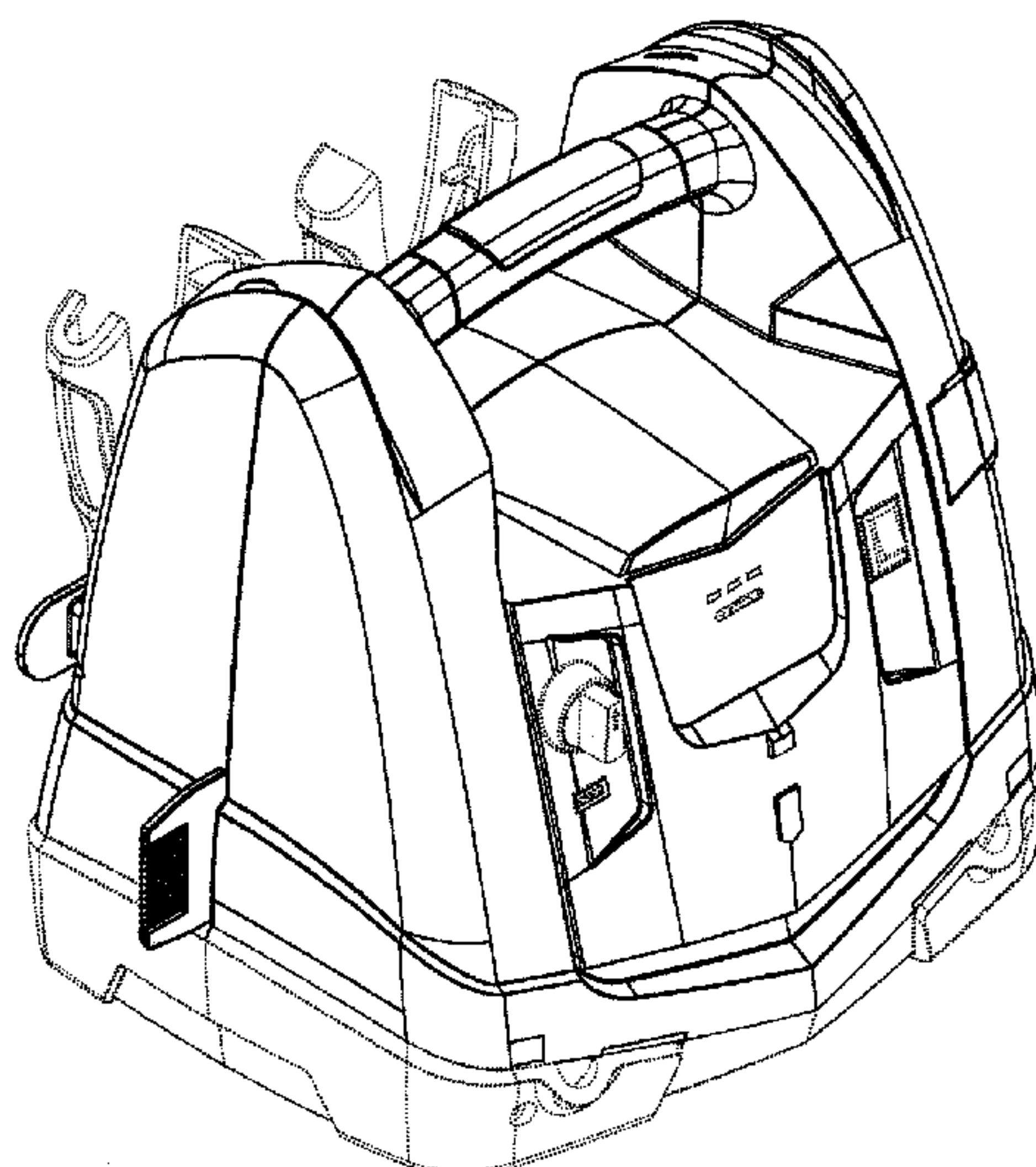
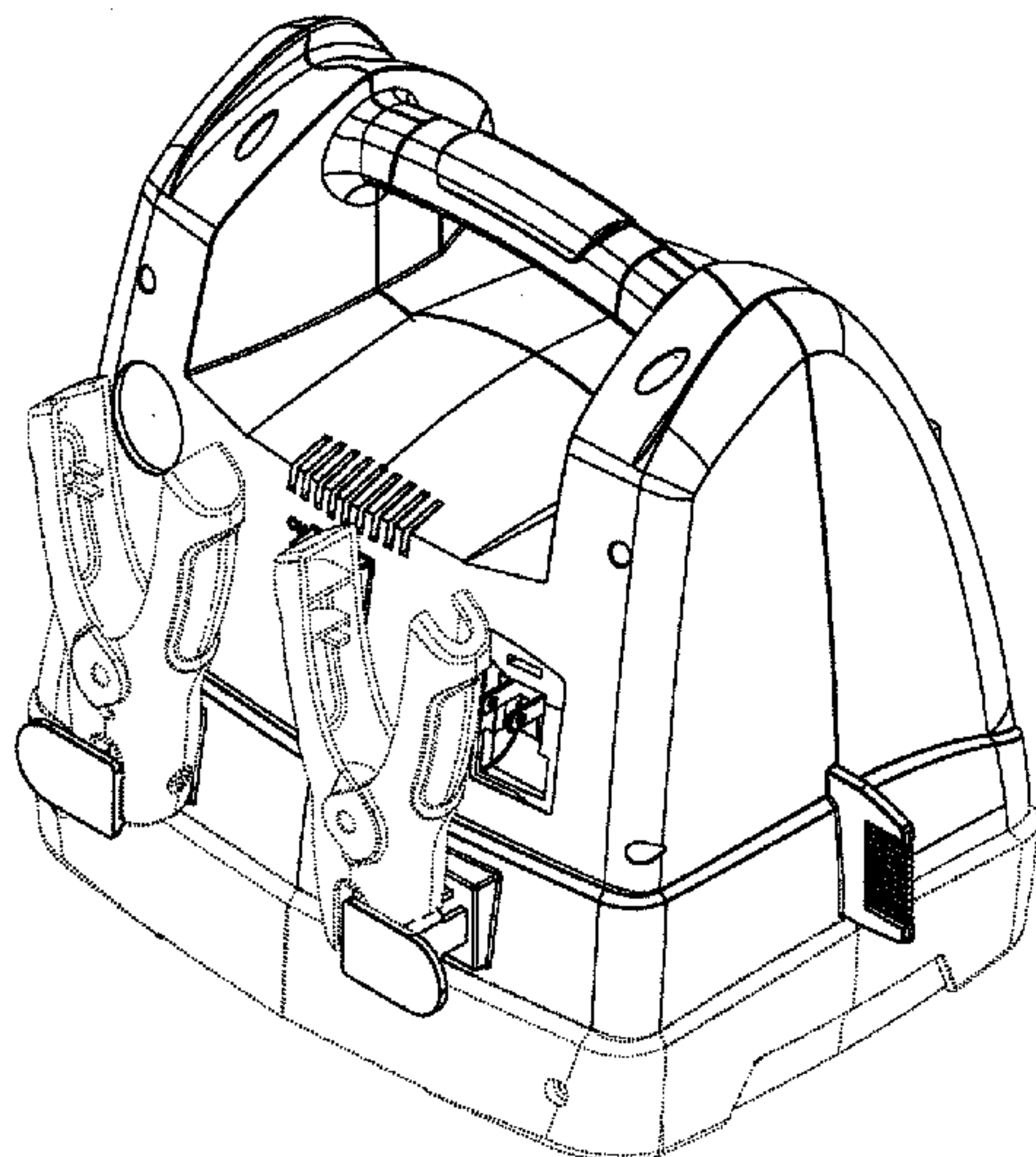
FIG. 11 is a front elevation view of the jump starter illustrated in FIG. 8.

FIG. 12 is a rear elevation view of the jump starter illustrated in FIG. 8.

FIG. 13 is a left side elevation view of the jump starter illustrated in FIG. 8; and,

FIG. 14 is a top plan view of the jump starter illustrated in FIG. 8.

1 Claim, 8 Drawing Sheets



US D653,612 S

Page 2

U.S. PATENT DOCUMENTS

D390,824 S 2/1998 Foster et al.
5,949,640 A 9/1999 Cameron et al.
6,018,230 A 1/2000 Casey
D427,148 S 6/2000 Wei
D427,969 S 7/2000 Wei
D436,918 S 1/2001 Matsuda
D444,122 S 6/2001 Krieger et al.
D486,446 S 2/2004 Hriscu et al.
D488,438 S * 4/2004 Zick et al. D13/107
D491,139 S * 6/2004 Krieger et al. D13/107
D493,421 S * 7/2004 Krieger et al. D13/107
D494,541 S 8/2004 Hriscu et al.
D496,629 S 9/2004 Hriscu et al.
D503,148 S * 3/2005 Krieger et al. D13/107
D504,869 S * 5/2005 Krieger et al. D13/107
D505,915 S 6/2005 Hussaini et al.
D506,724 S 6/2005 Hriscu et al.
D506,974 S 7/2005 Li
D509,792 S 9/2005 Hsu
D511,491 S 11/2005 Hriscu et al.
D517,983 S * 3/2006 Krieger et al. D13/107
D518,435 S 4/2006 Kurth
D518,769 S 4/2006 Kurth
D527,340 S 8/2006 Christiani et al.
D527,342 S * 8/2006 Krieger et al. D13/107
D528,978 S 9/2006 Trosper et al.
D530,271 S 10/2006 Hriscu et al.
D530,272 S 10/2006 Hulden
D531,956 S 11/2006 Krieger et al.
D532,364 S 11/2006 Krieger et al.
D532,748 S 11/2006 Disbennett et al.
D537,410 S 2/2007 Yuen

D544,439 S 6/2007 Hussaini et al.
D548,692 S 8/2007 Krieger et al.
D548,694 S 8/2007 Krieger et al.
D549,170 S 8/2007 Yen
D549,644 S * 8/2007 Hulden D13/107
D550,615 S 9/2007 Tong
D551,166 S 9/2007 Dayan
D554,059 S 10/2007 Hsu
7,304,852 B2 12/2007 Hernandez et al.
D561,688 S 2/2008 Hussaini et al.
D562,235 S 2/2008 Hussaini et al.
D573,089 S 7/2008 Mandel et al.
D580,354 S 11/2008 Dunbar et al.
D580,441 S 11/2008 Mori
D582,845 S 12/2008 O'Hern
D585,822 S 2/2009 Hsu
D594,405 S 6/2009 Murray et al.
D597,029 S 7/2009 Li
D609,634 S 2/2010 Daniels et al.
D610,982 S 3/2010 Shum et al.

OTHER PUBLICATIONS

U.S. Appl. No. 29/354,879, filed Jan. 29, 2010, Barbara M. DuMelle.
U.S. Appl. No. 29/354,851, filed Jan. 29, 2010, Barbara M. DuMelle.
U.S. Appl. No. 29/354,897, filed Jan. 29, 2010, Barbara M. DuMelle.
U.S. Appl. No. 29/354,887, filed Jan. 29, 2010, Barbara M. DuMelle.
U.S. Appl. No. 29/356,065, filed Feb. 19, 2010, Barbara M. DuMelle.
U.S. Appl. No. 29/354,902, filed Jan. 29, 2010, Barbara M. DuMelle.
U.S. Appl. No. 29/397,739, filed Jul. 20, 2011, Barbara DuMelle.
U.S. Appl. No. 29/397,730, filed Jul. 20, 2011, Barbara DuMelle.

* cited by examiner

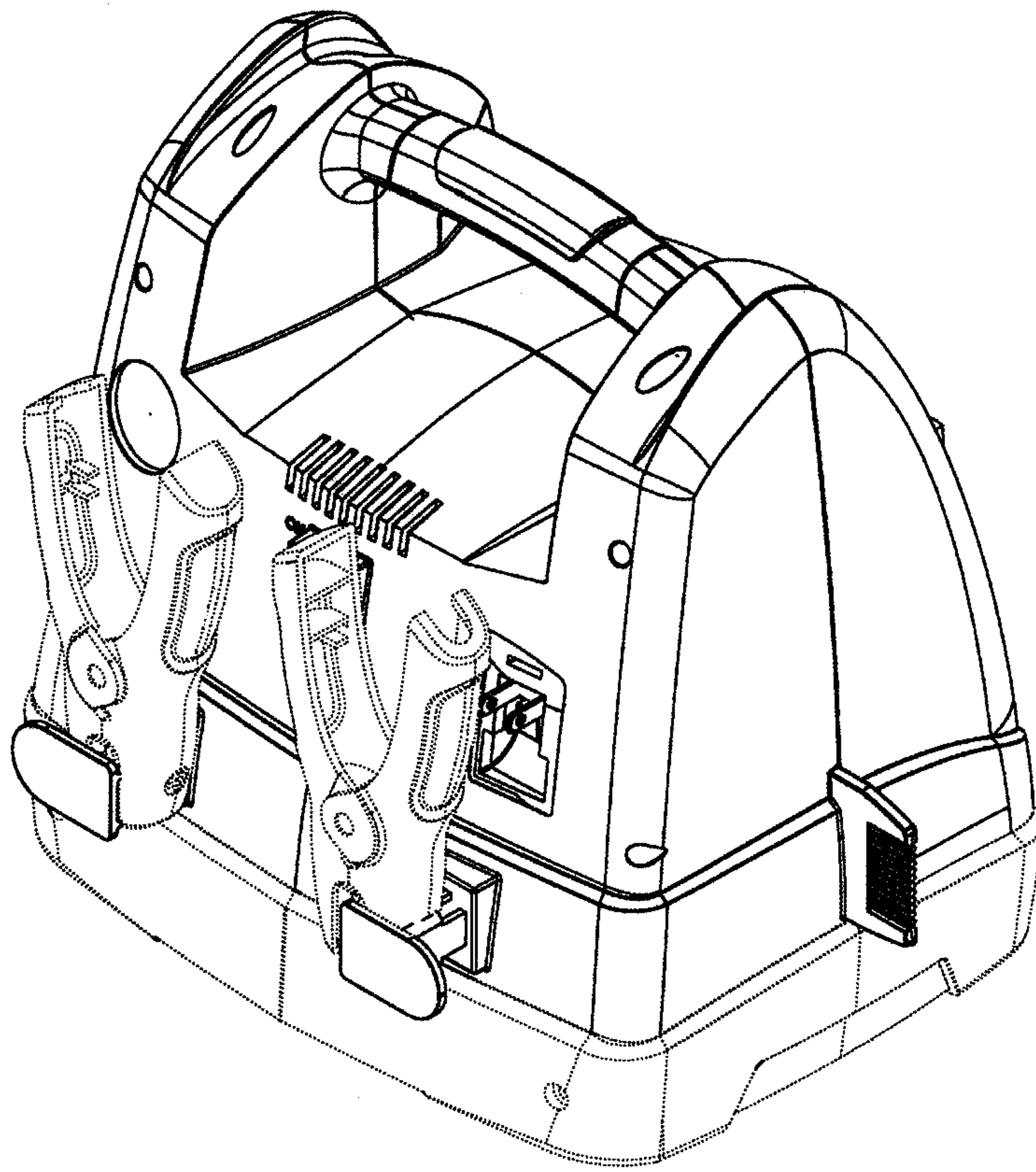


Fig. 1

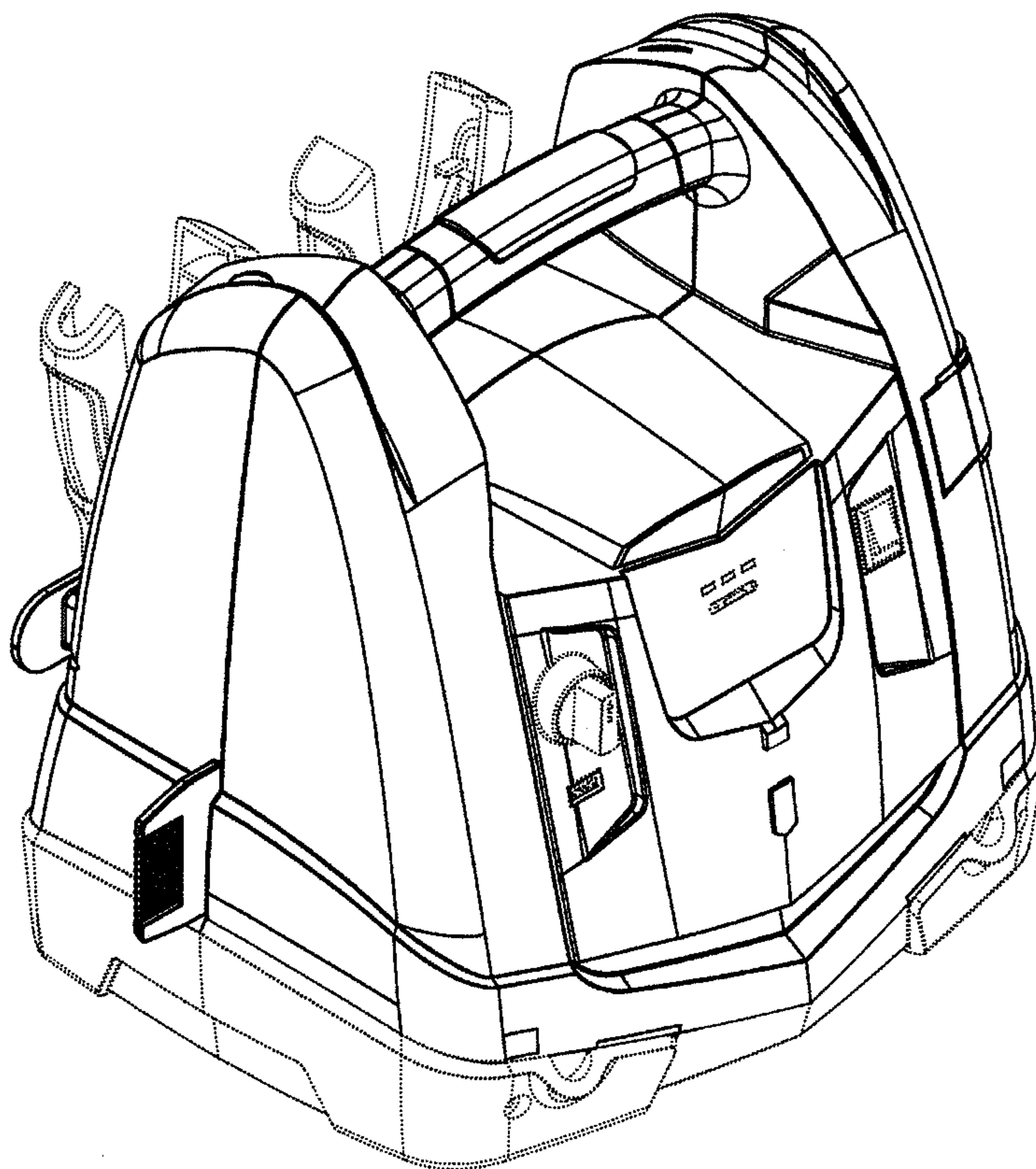


Fig. 2

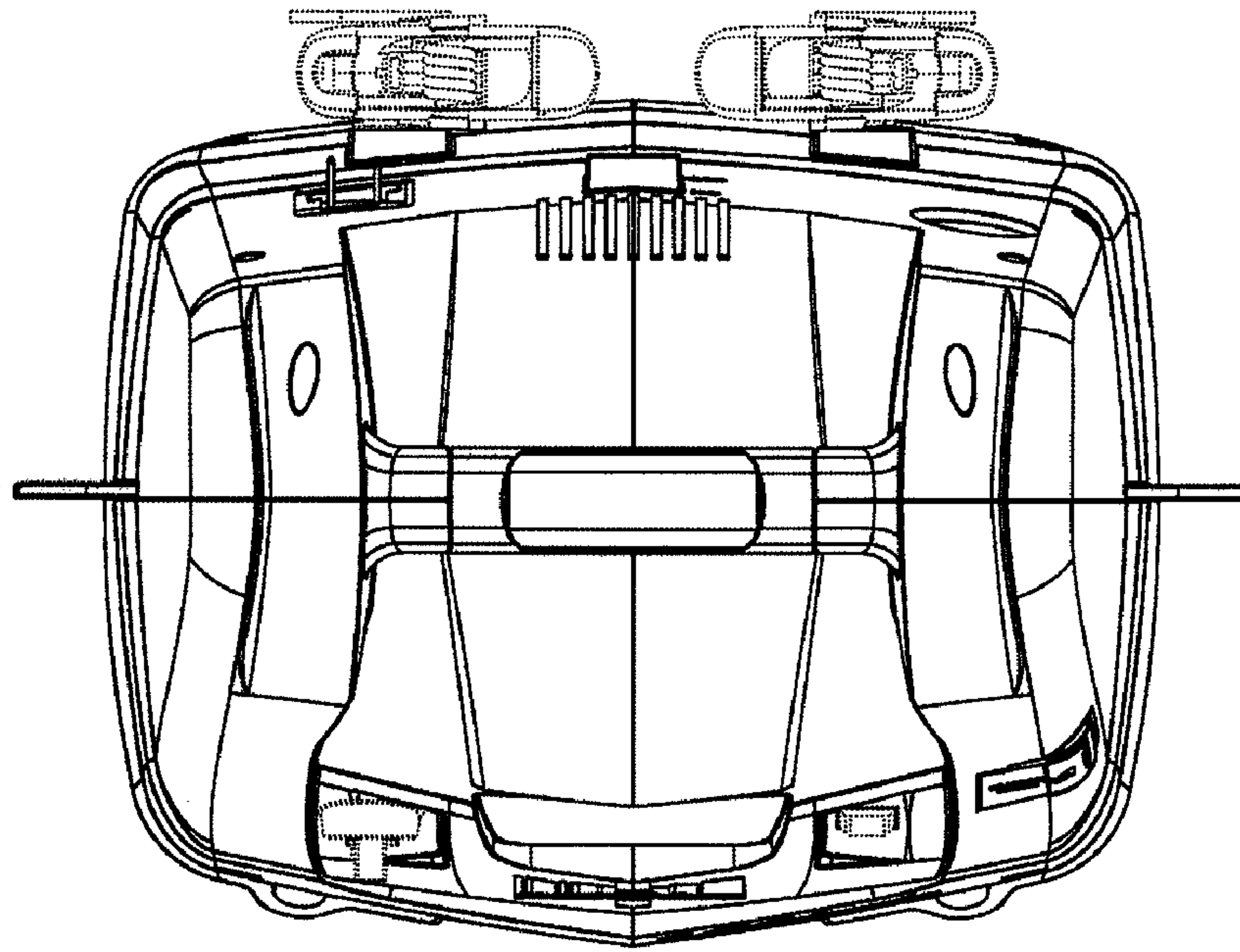


Fig. 3

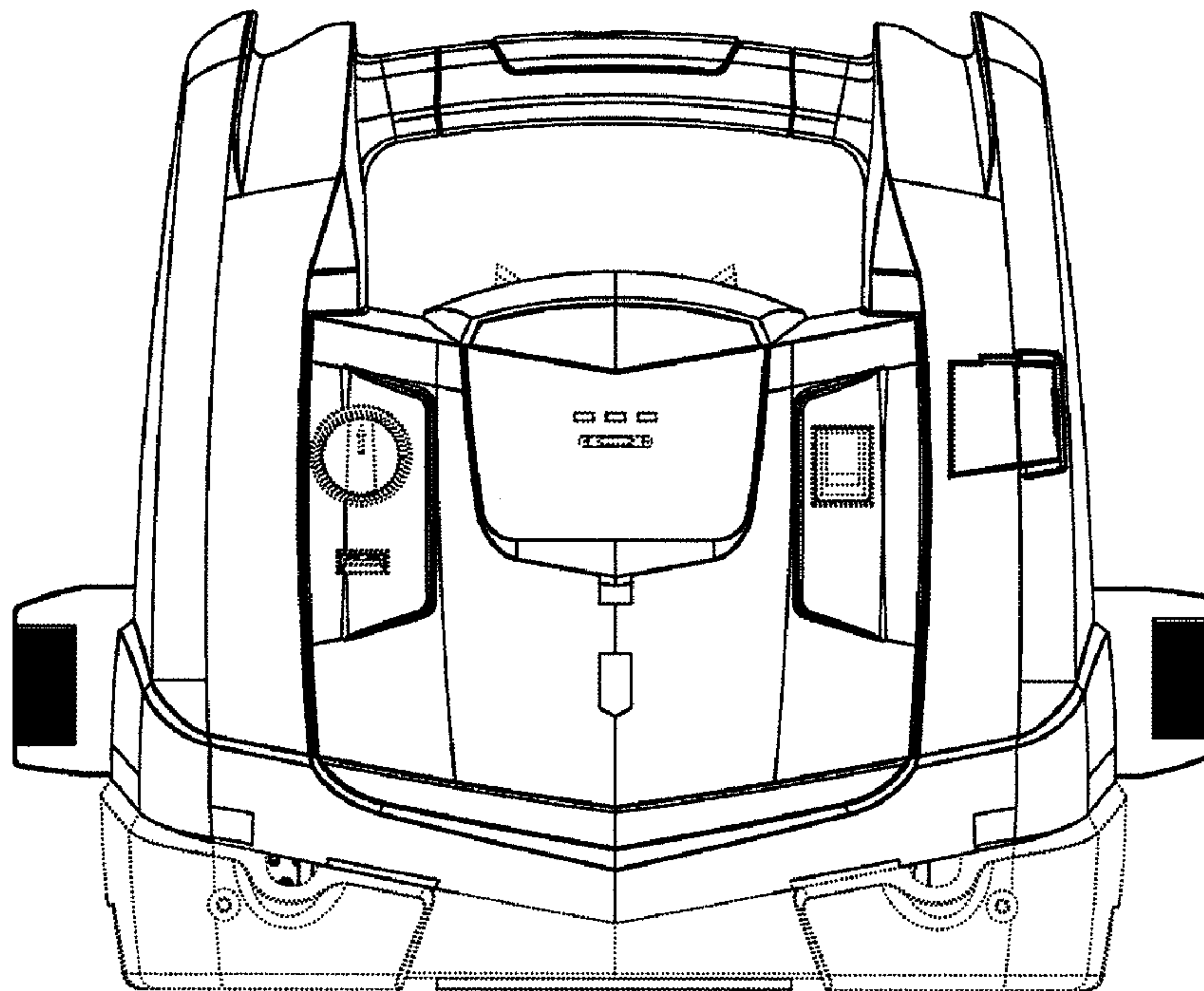


Fig. 4

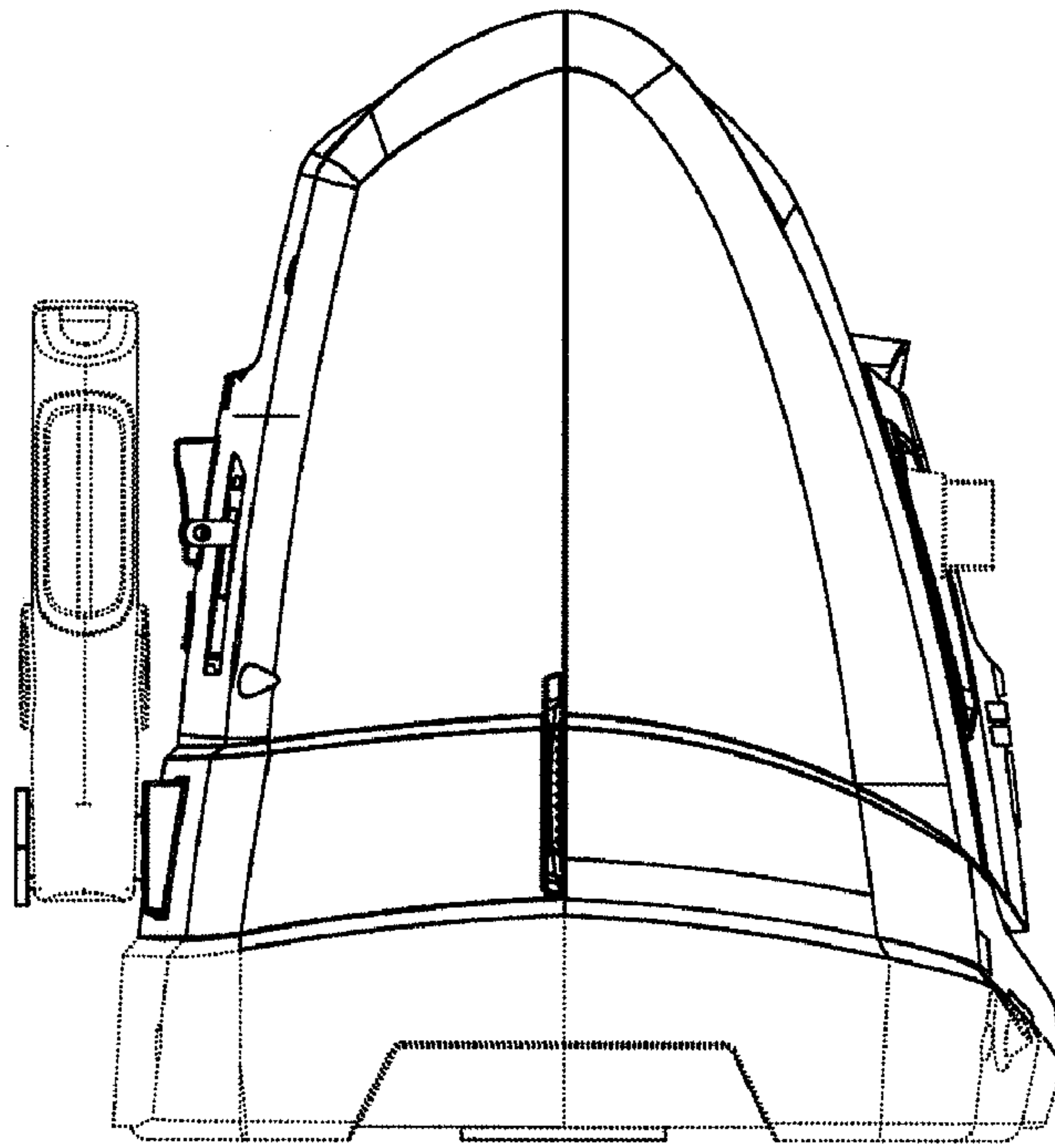


Fig. 5

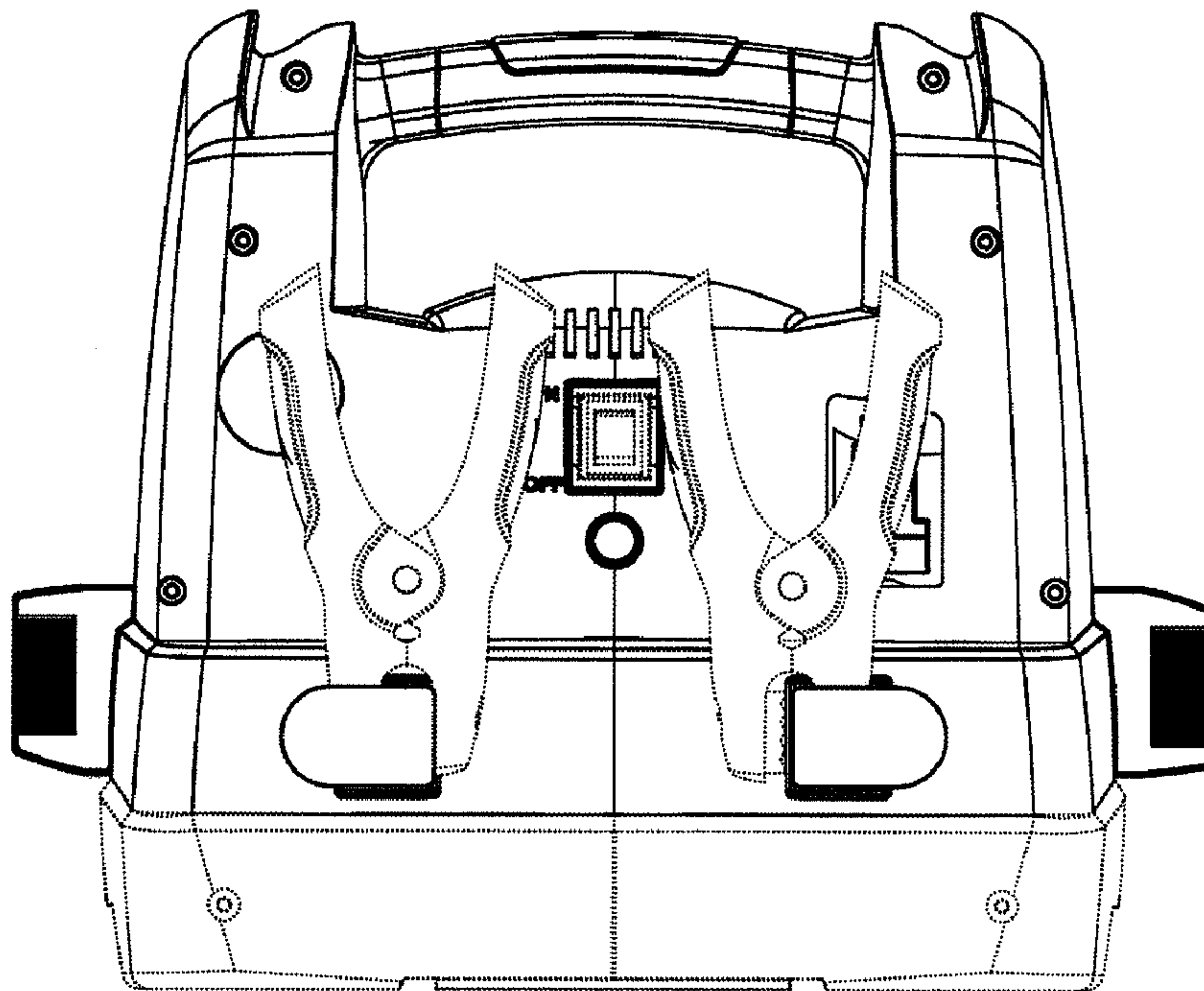


Fig. 6

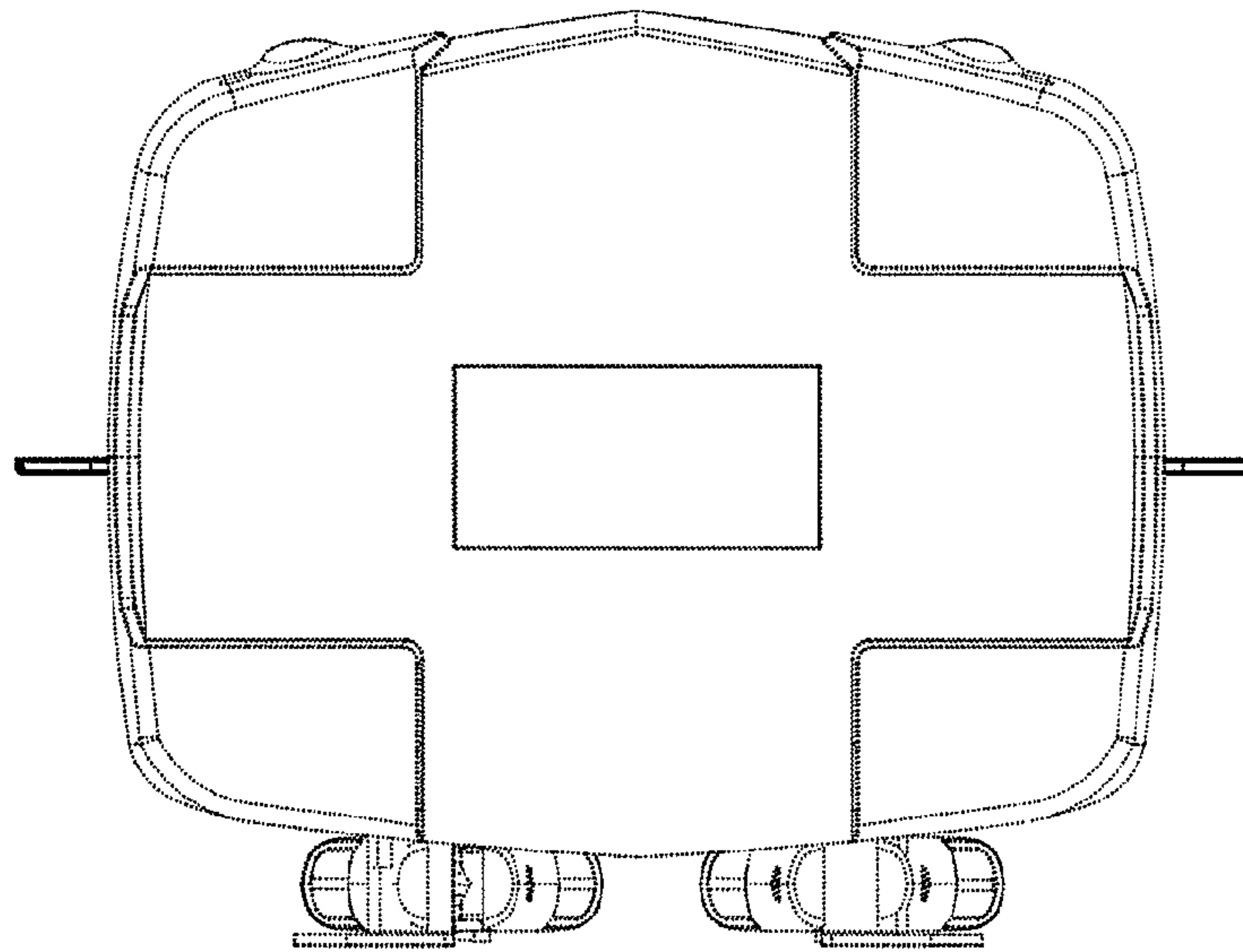


Fig. 7

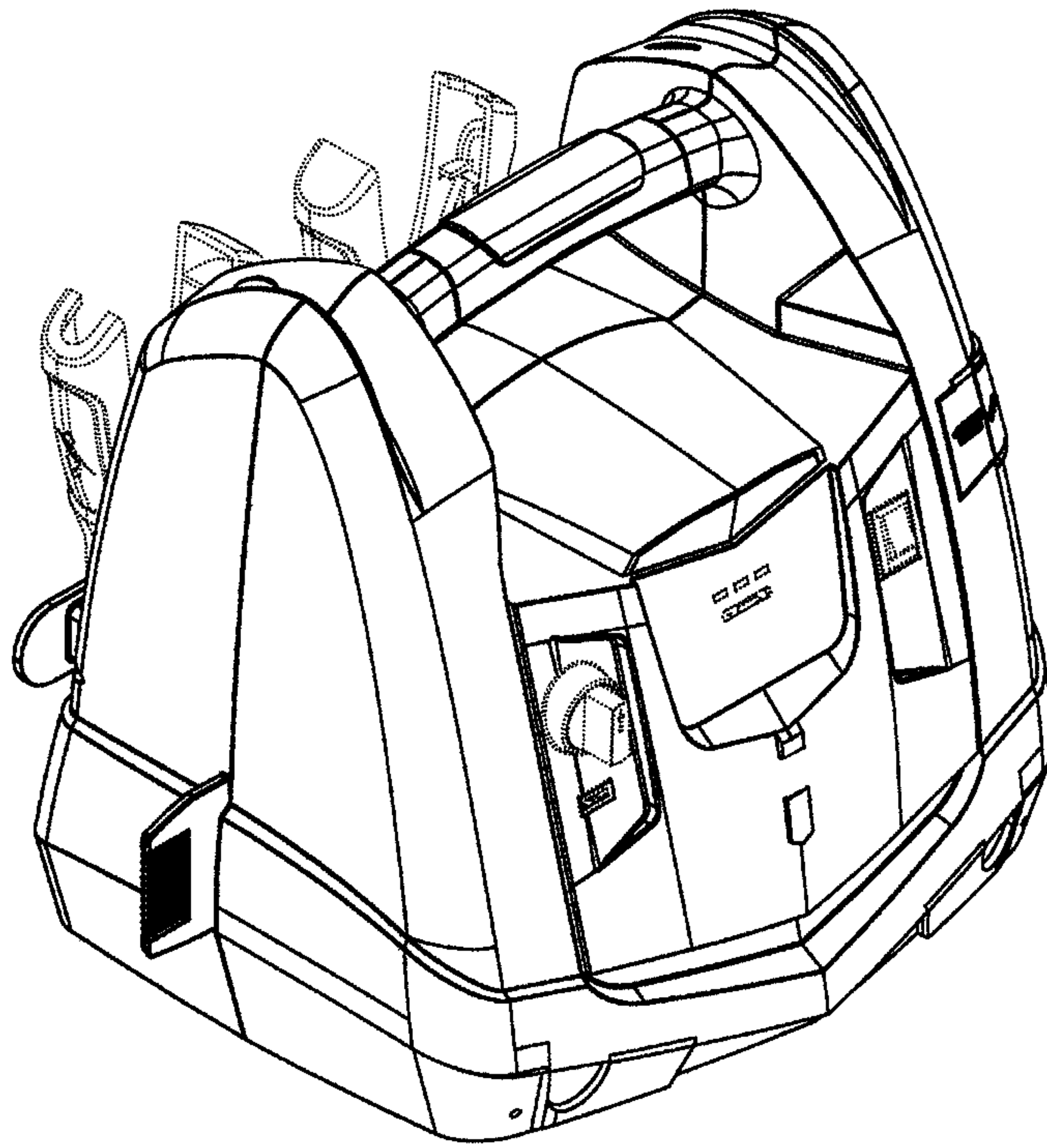


Fig. 8

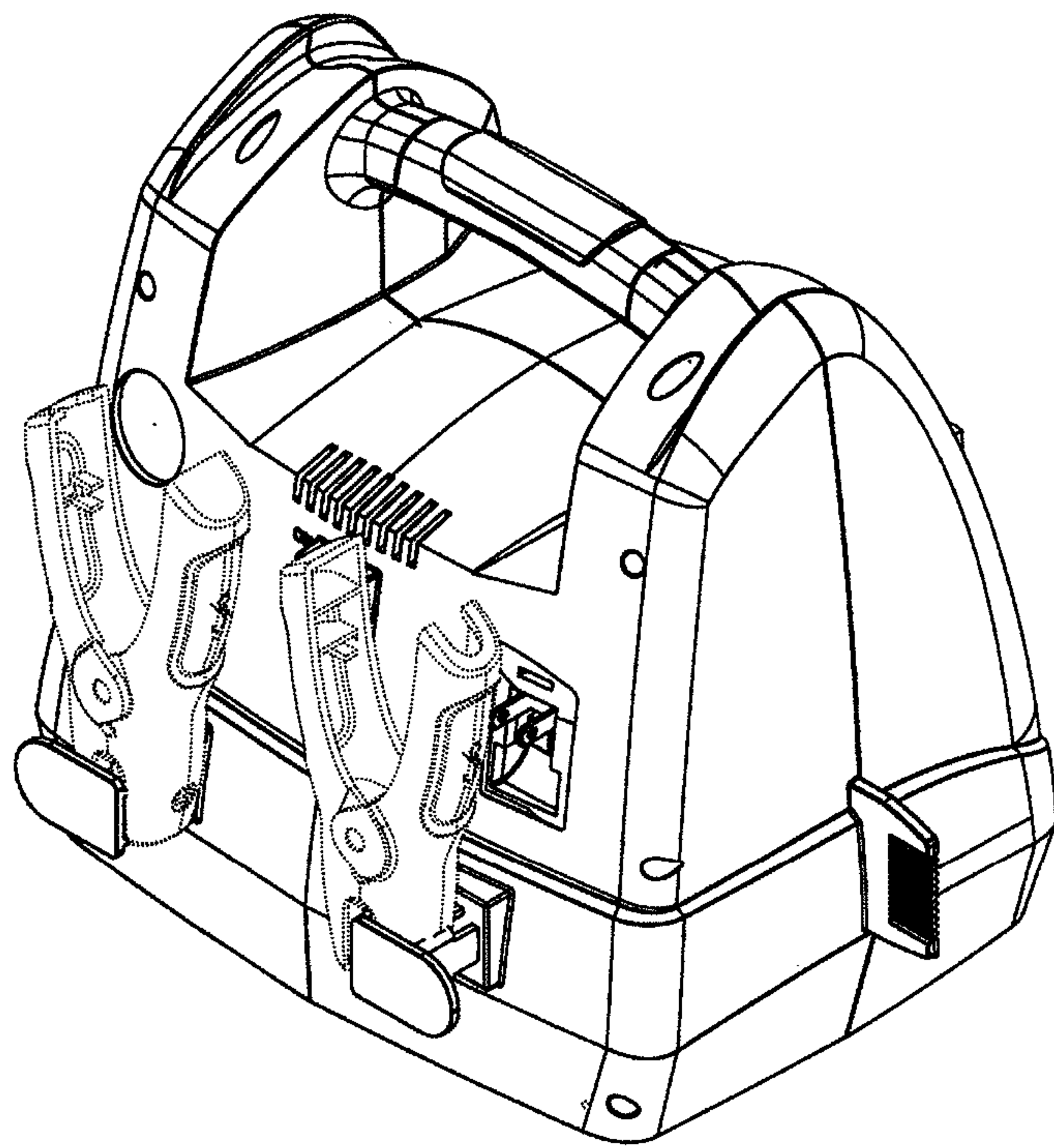


Fig. 9

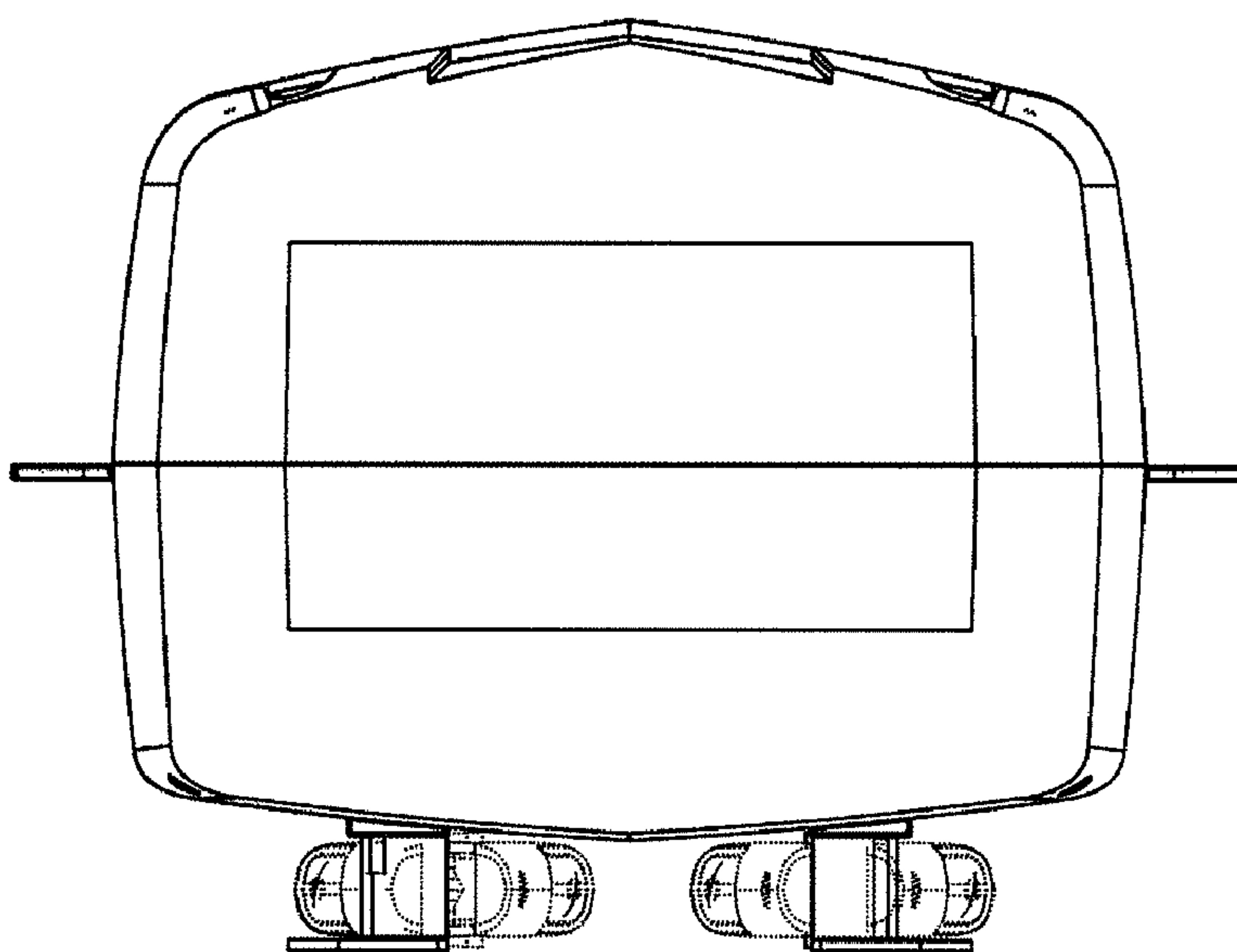


Fig. 10

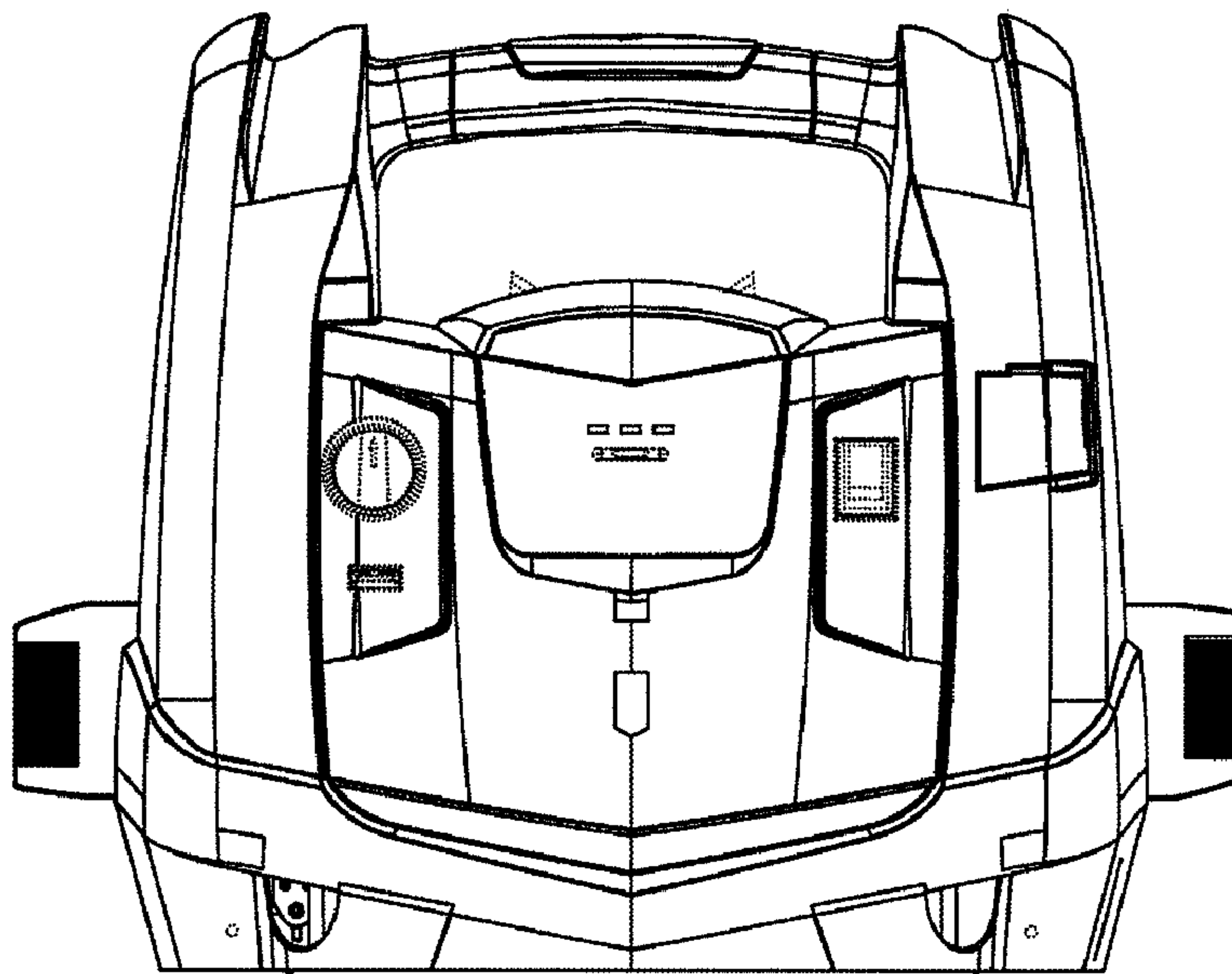


Fig. 11

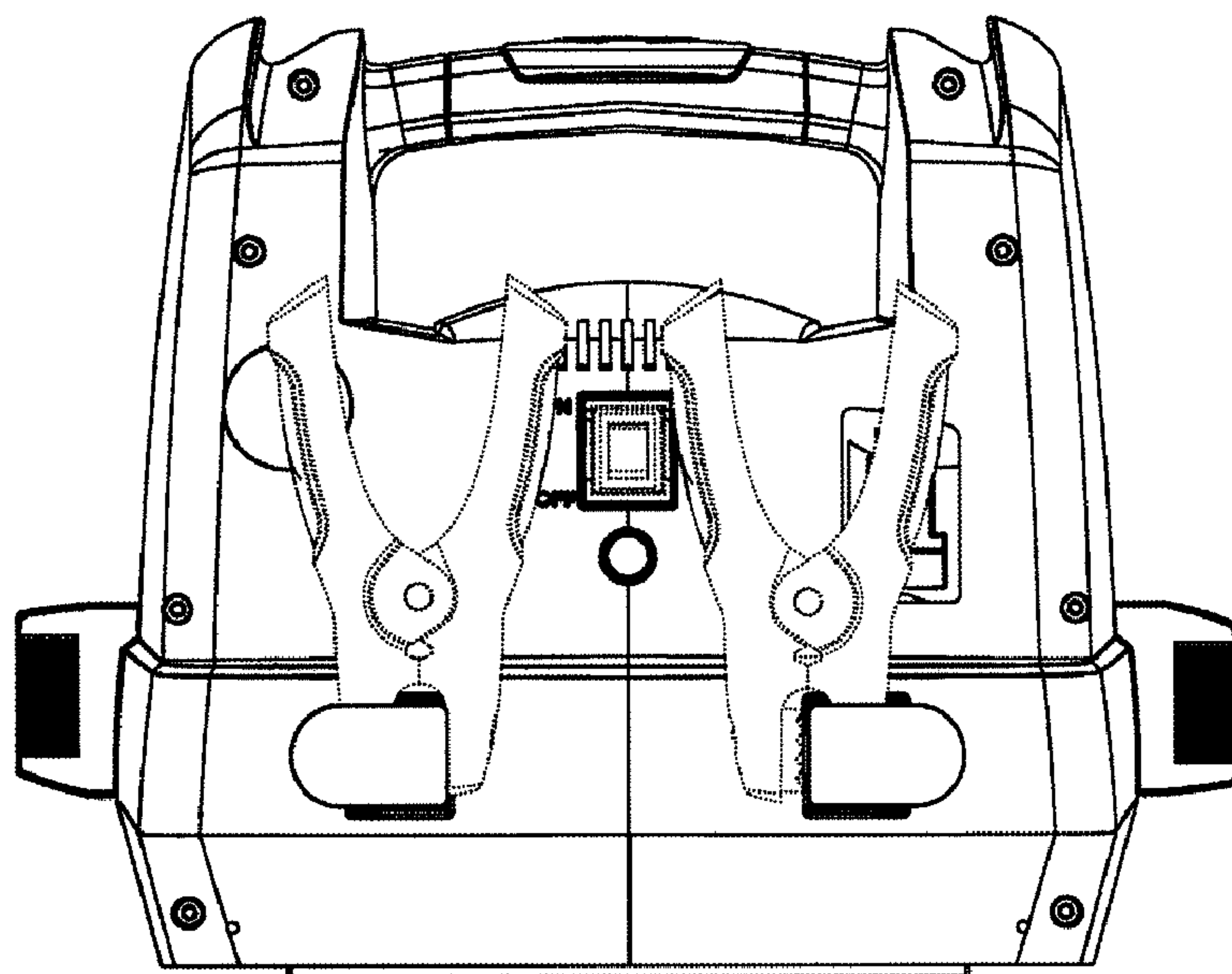


Fig. 12

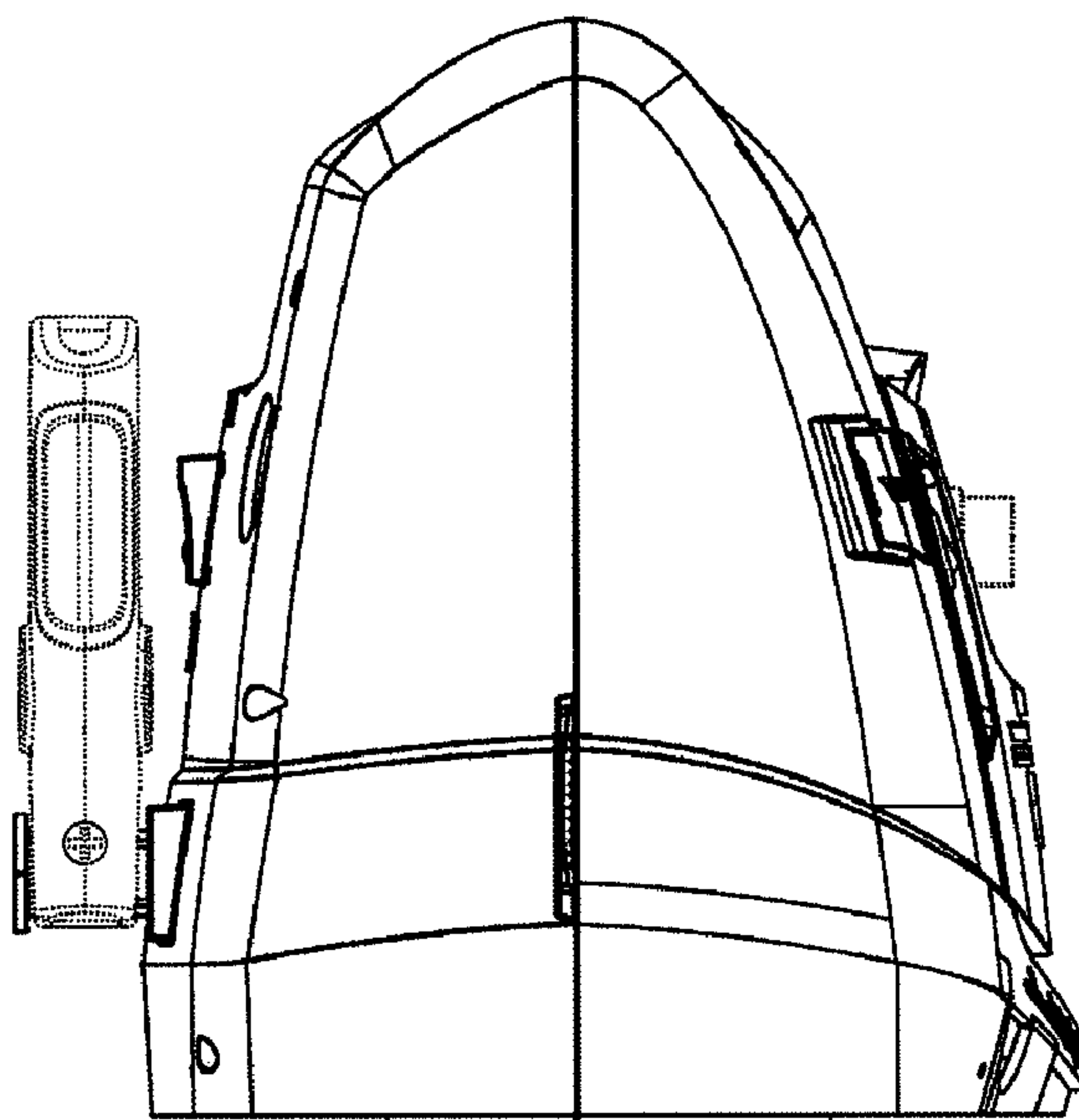


Fig. 13

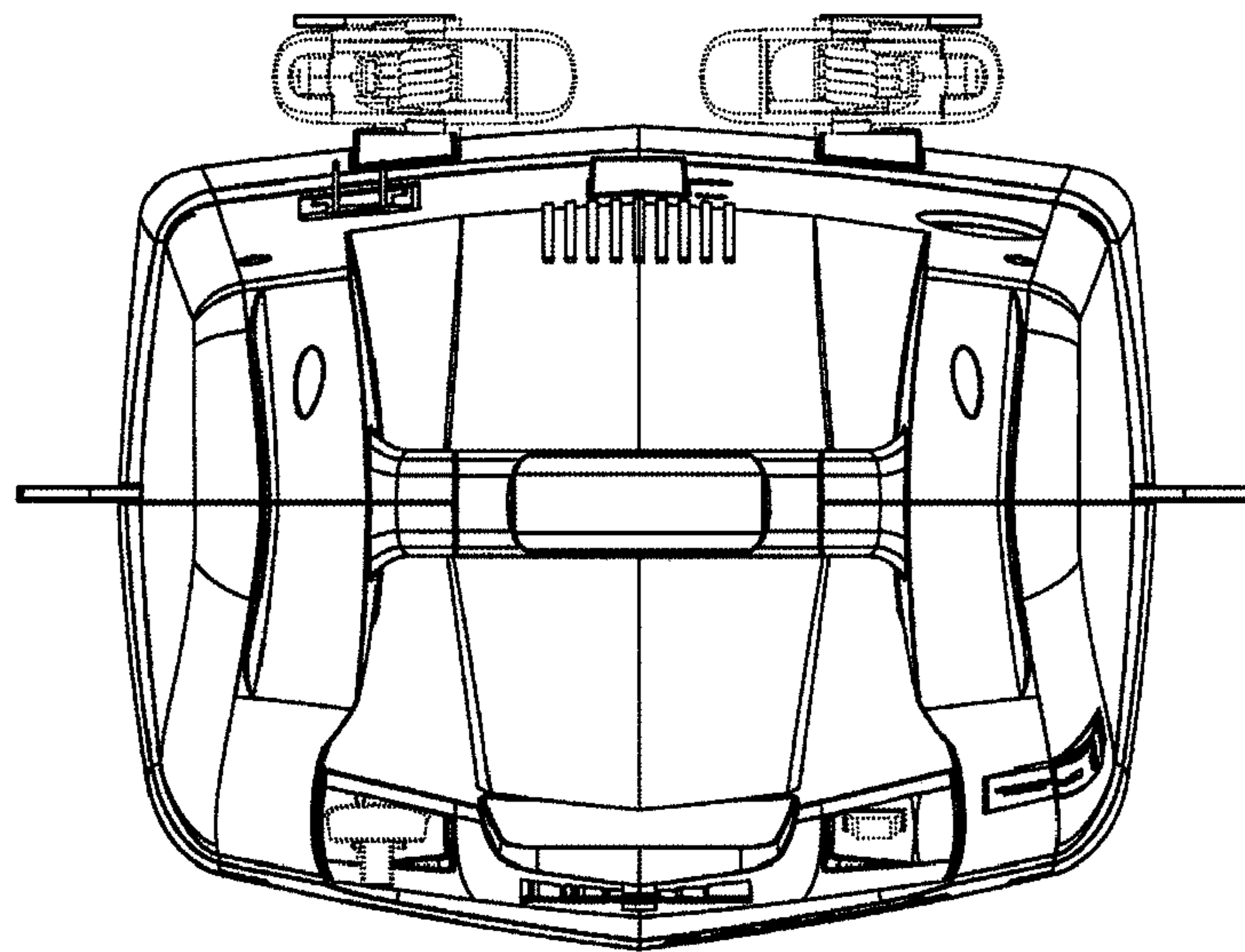


Fig. 14