



US00D653611S

(12) **United States Design Patent**  
**Lee et al.**

(10) **Patent No.:** **US D653,611 S**  
(45) **Date of Patent:** **\*\* Feb. 7, 2012**

(54) **SOLAR TILE STRUCTURE**

(75) Inventors: **Shih-Wei Lee**, Kaohsiung (TW);  
**Chih-Wei Tseng**, Kaohsiung (TW);  
**Chio-An Tseng**, Kaohsiung (TW);  
**Yen-Chun Chen**, Taoyuan County  
(TW); **Fu-Lu Jian**, Kaohsiung (TW)

(73) Assignee: **Axuntek Solar Energy**, Pingtung,  
Pingtung County (TW)

(\*\*) Term: **14 Years**

(21) Appl. No.: **29/394,922**

(22) Filed: **Jun. 23, 2011**

(30) **Foreign Application Priority Data**

May 3, 2011 (TW) ..... 100302126

(51) **LOC (9) Cl.** ..... **13-02**

(52) **U.S. Cl.** ..... **D13/102**

(58) **Field of Classification Search** ..... D13/102,  
D13/101, 118, 184, 199; D6/300, 301, 302;  
D25/124, 125; 52/173.3, 544, 546, 551;  
126/569, 621-623; 136/206, 244, 251, 259,  
136/291

See application file for complete search history.

(56) **References Cited**

**U.S. PATENT DOCUMENTS**

D260,679 S \* 9/1981 Mayerovitch ..... D13/102  
D285,829 S 9/1986 Lock  
D389,454 S \* 1/1998 Mori ..... D13/102  
6,075,202 A \* 6/2000 Mori et al. .... 136/251

6,093,884 A \* 7/2000 Toyomura et al. .... 136/244  
6,360,497 B1 \* 3/2002 Nakazima et al. .... 52/173.3  
6,606,830 B2 8/2003 Nagao  
D510,315 S \* 10/2005 Shugar et al. .... D13/102  
7,155,870 B2 \* 1/2007 Almy ..... 52/544  
D560,605 S \* 1/2008 McClintock et al. .... D13/102  
D560,606 S \* 1/2008 McClintock et al. .... D13/102  
2007/0199590 A1 8/2007 Tanaka

**FOREIGN PATENT DOCUMENTS**

JP 1075706 6/2000  
JP 1075707 6/2000  
TW M344570 11/2008

\* cited by examiner

*Primary Examiner* — Derrick Holland

(74) *Attorney, Agent, or Firm* — Winston Hsu; Scott Margo

(57) **CLAIM**

The ornamental design for a solar tile structure, as shown and described.

**DESCRIPTION**

FIG. 1 is a perspective view of a solar tile structure showing our new design;

FIG. 2 is a front view thereof;

FIG. 3 is a rear view thereof;

FIG. 4 is a left view thereof;

FIG. 5 is a right view thereof;

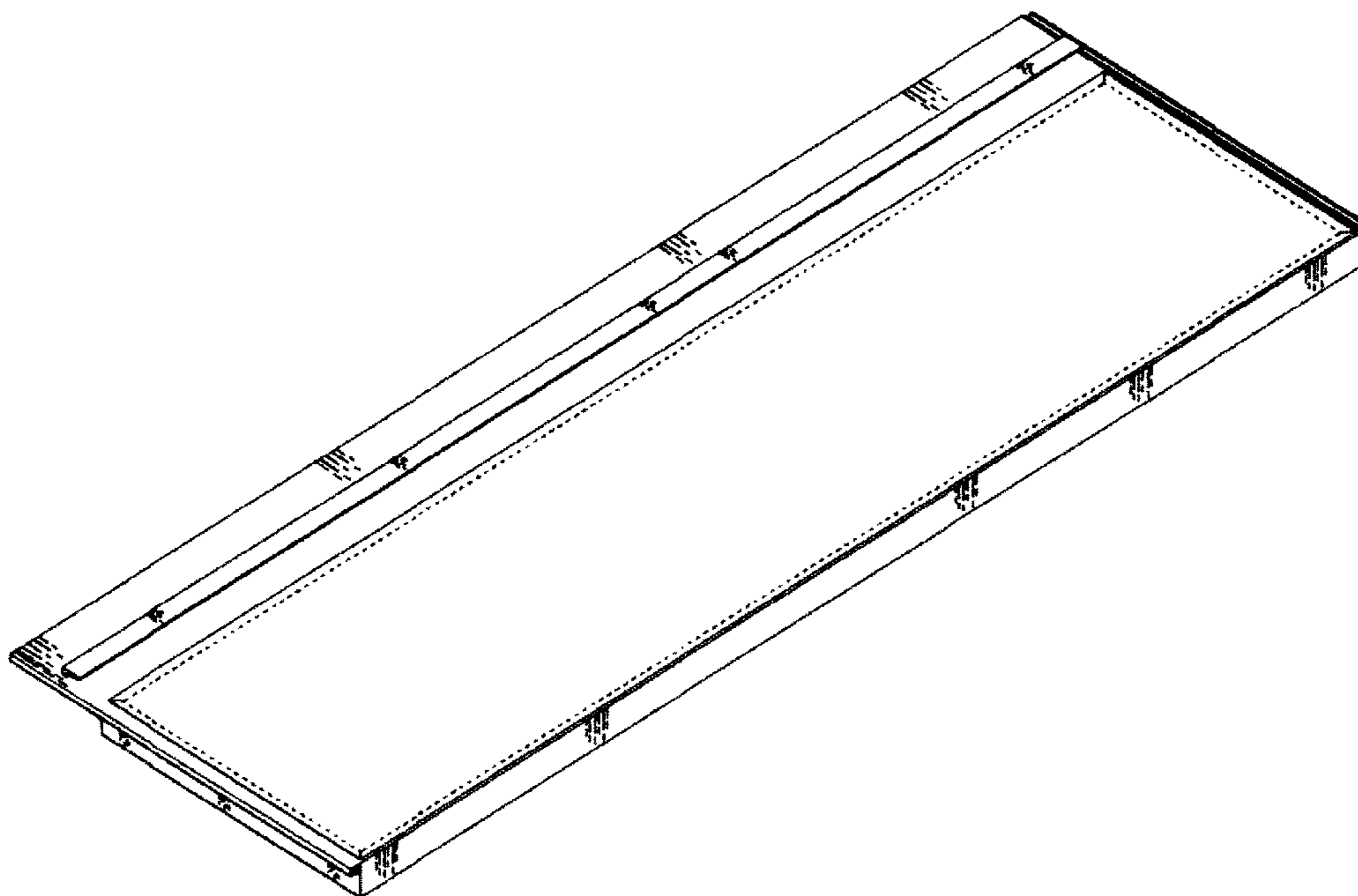
FIG. 6 is a top plan view thereof;

FIG. 7 is a bottom plan view thereof; and,

FIG. 8 is a perspective view thereof, shown in environmental use.

The broken lines shown represent unclaimed subject matter and form no part of the claimed design.

**1 Claim, 8 Drawing Sheets**



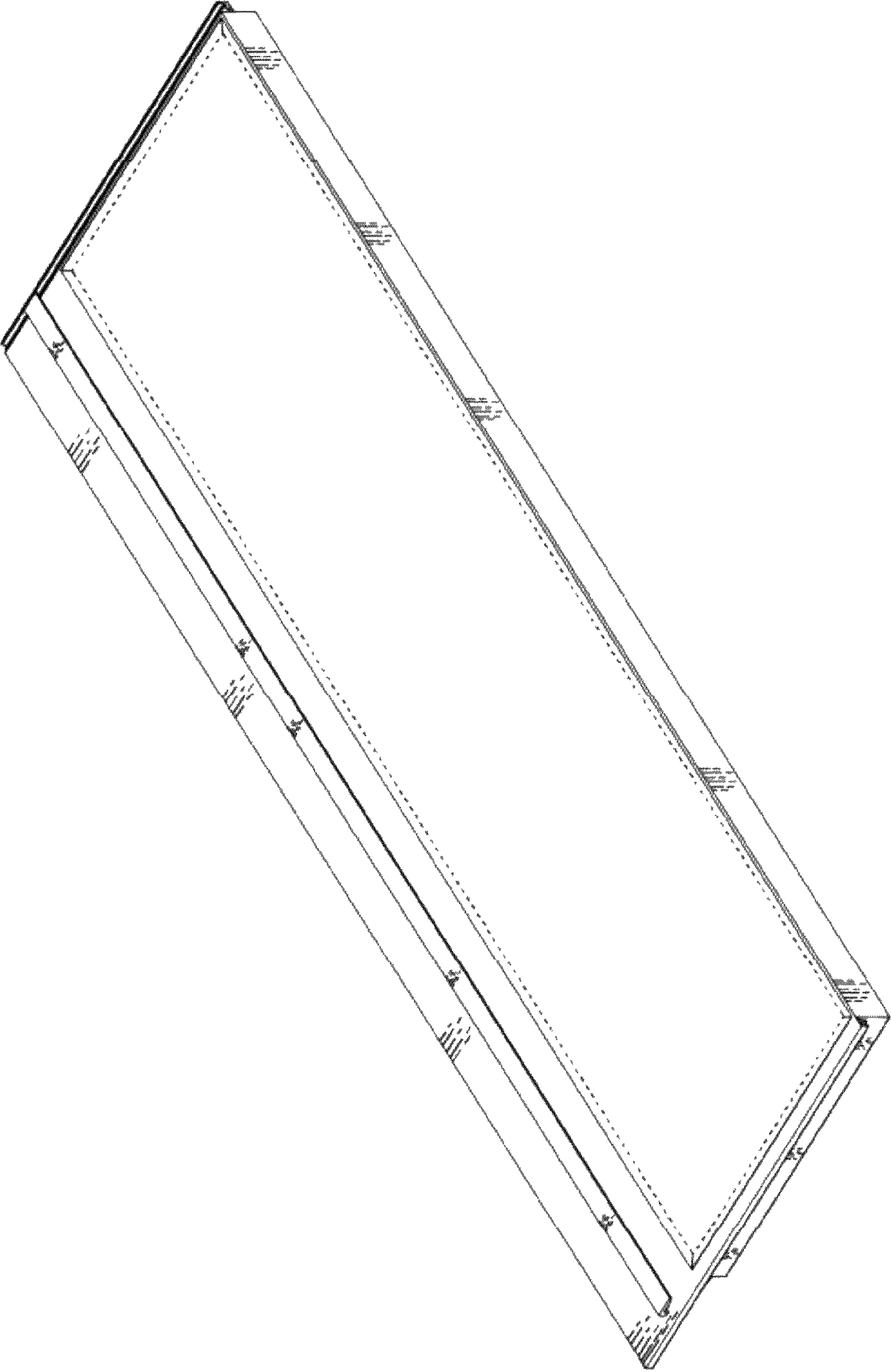


FIG. 1

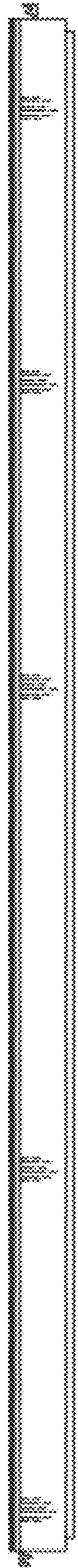


FIG. 2

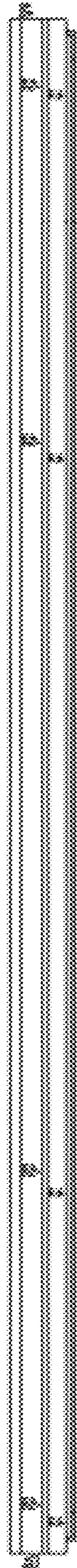


FIG. 3

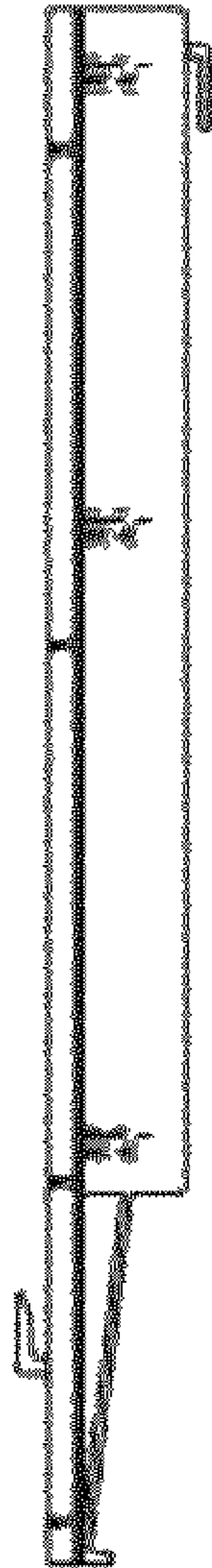


FIG. 4

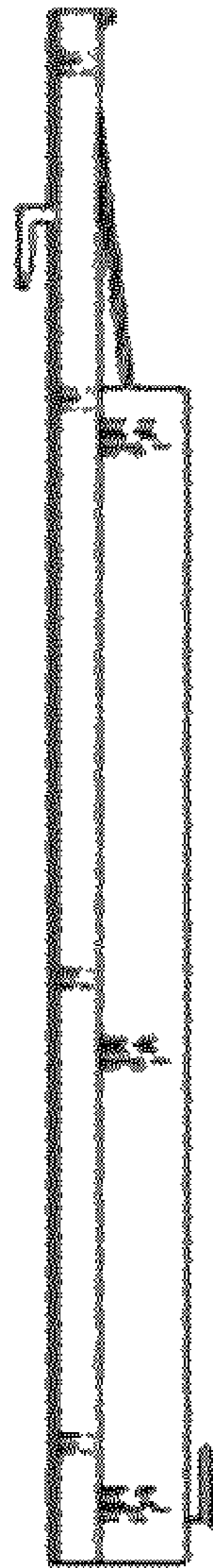


FIG. 5

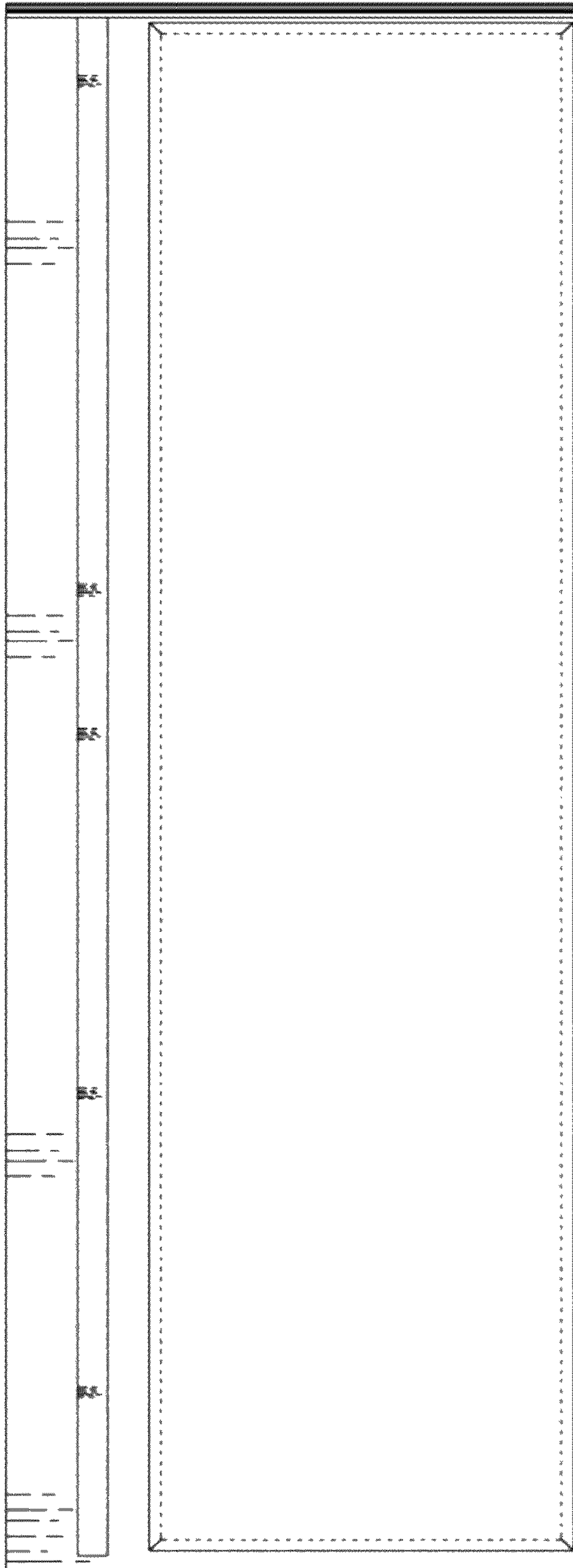


FIG. 6

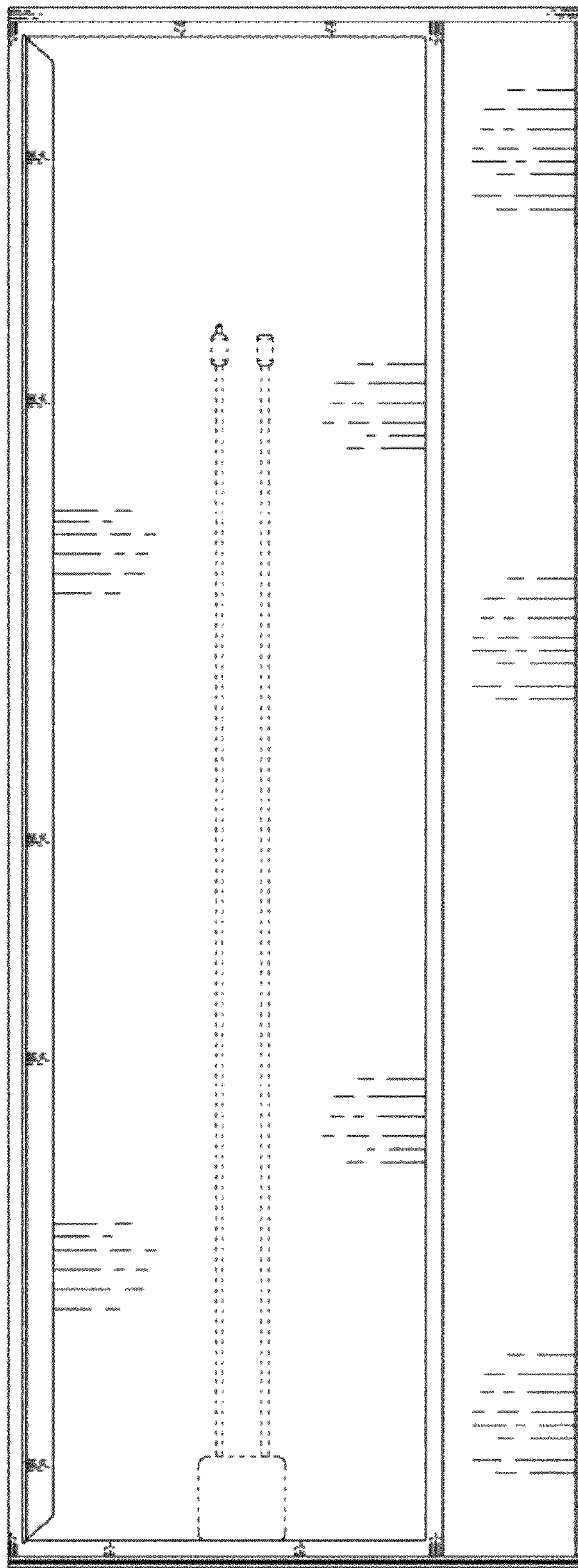


FIG. 7



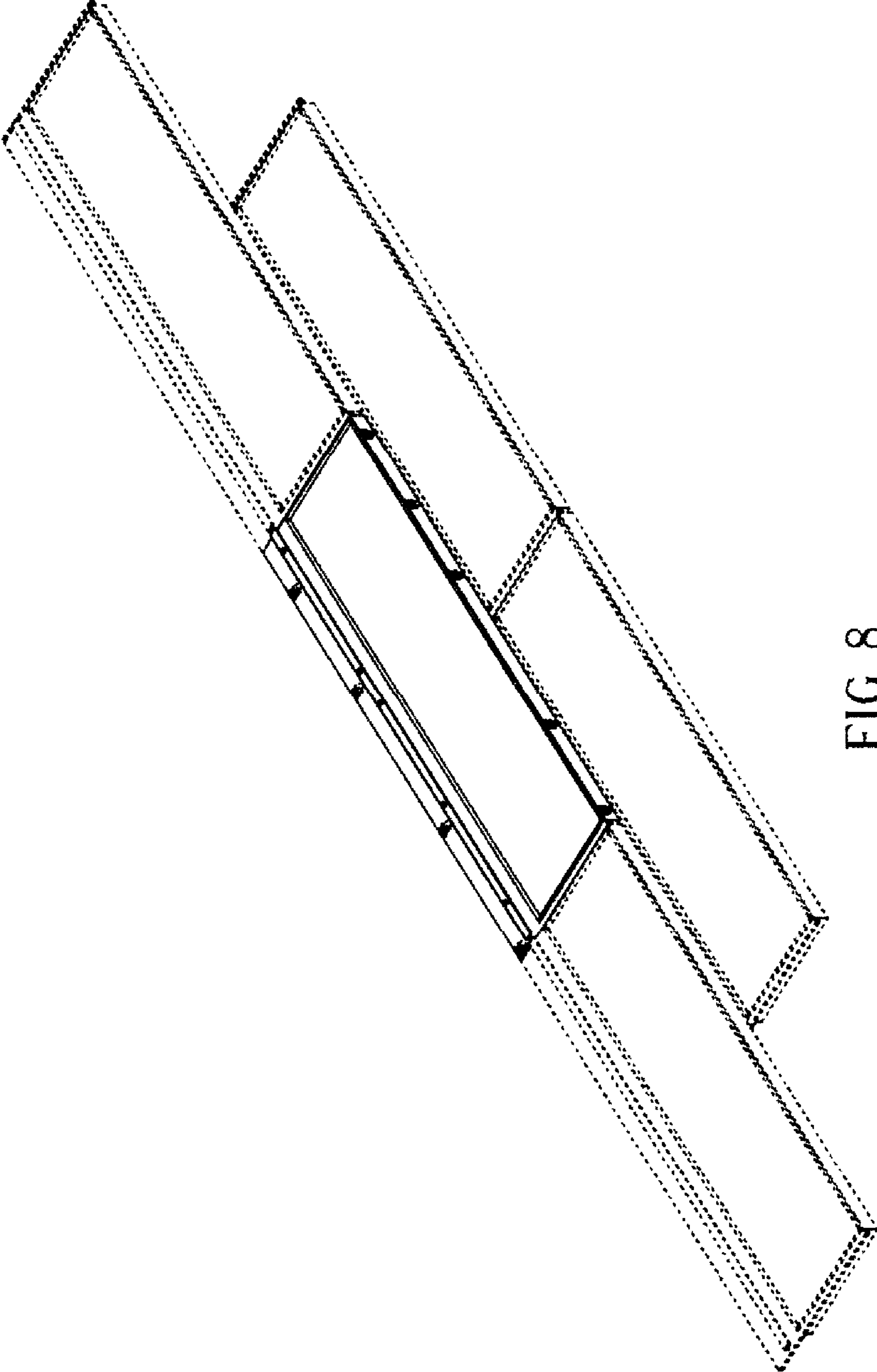


FIG. 8