

US00D653610S

(12) **United States Design Patent**  
**Yang et al.**

(10) **Patent No.:** **US D653,610 S**  
(45) **Date of Patent:** **\*\* Feb. 7, 2012**

(54) **PIN STRIPED THIN FILM SOLAR MODULE FOR CLUSTER LAMP**

(75) Inventors: **Frank Yang**, San Jose, CA (US); **Robert Wieting**, San Jose, CA (US)

(73) Assignee: **Stion Corporation**, San Jose, CA (US)

(\*\*) Term: **14 Years**

(21) Appl. No.: **29/381,386**

(22) Filed: **Dec. 17, 2010**

**Related U.S. Application Data**

(62) Division of application No. 29/338,557, filed on Jun. 13, 2009, now Pat. No. Des. 632,415.

(51) **LOC (9) Cl.** ..... **13-02**

(52) **U.S. Cl.** ..... **D13/102**

(58) **Field of Classification Search** ..... D13/102,  
D13/101, 184, 199; D26/113; 126/569,  
126/571, 578; 136/243-252, 256, 257, 260,  
136/261; 351/203

See application file for complete search history.

(56) **References Cited**

U.S. PATENT DOCUMENTS

3,072,920	A *	1/1963	Yellott	.....	126/566
D308,416	S *	6/1990	Brumbach	.....	D23/370
6,443,572	B1 *	9/2002	Lawson	.....	351/203
D494,536	S *	8/2004	Pu	.....	D13/102
D537,217	S *	2/2007	Charmoille et al.	.....	D32/25
D555,084	S *	11/2007	Sharma et al.	.....	D13/102
D559,174	S *	1/2008	Sharma et al.	.....	D13/102

\* cited by examiner

*Primary Examiner* — Derrick Holland

(74) *Attorney, Agent, or Firm* — Kilpatrick Townsend & Stockton LLP

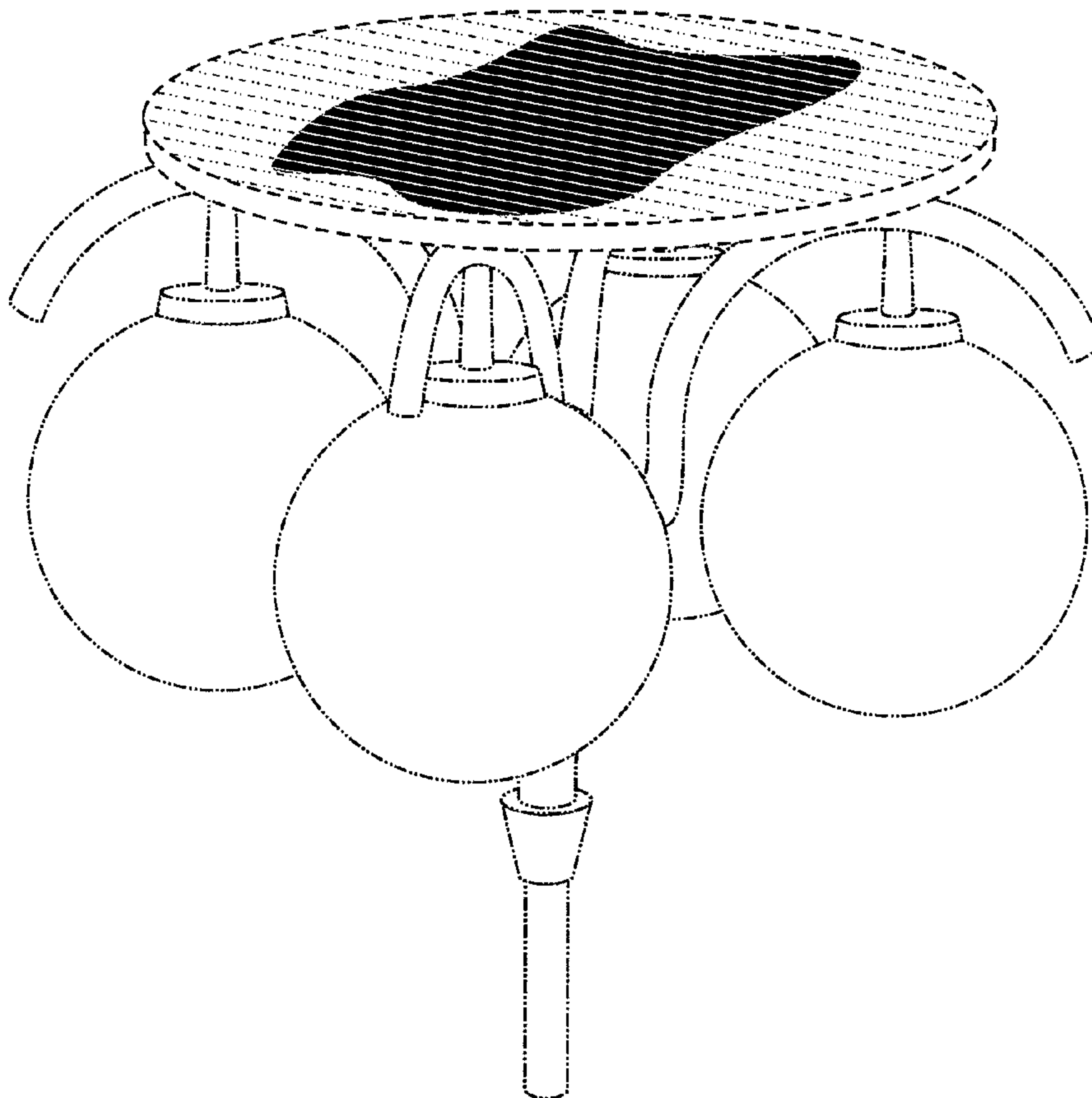
(57) **CLAIM**

The ornamental design for pin striped thin film solar module for cluster lamp, as shown and described.

**DESCRIPTION**

FIG. 1 is a perspective view of a pin striped thin film solar module for cluster lamp showing our new design; FIG. 2 is a right side elevational view thereof; FIG. 3 is a top plan view thereof; and, FIG. 4 is a bottom plan view thereof. The broken lines shown represent unclaimed subject matter and form no part of the claimed design.

**1 Claim, 4 Drawing Sheets**



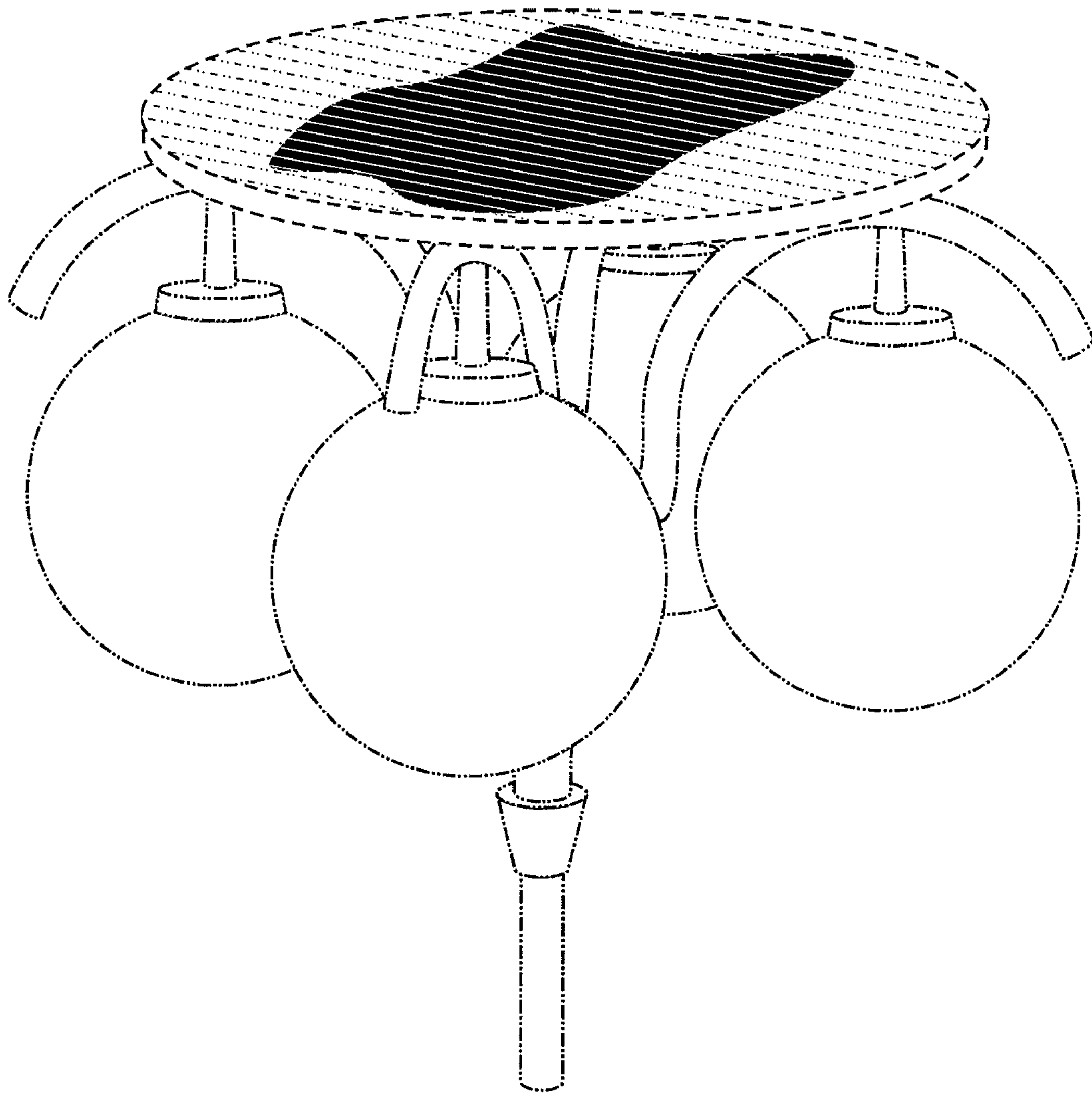


FIGURE 1

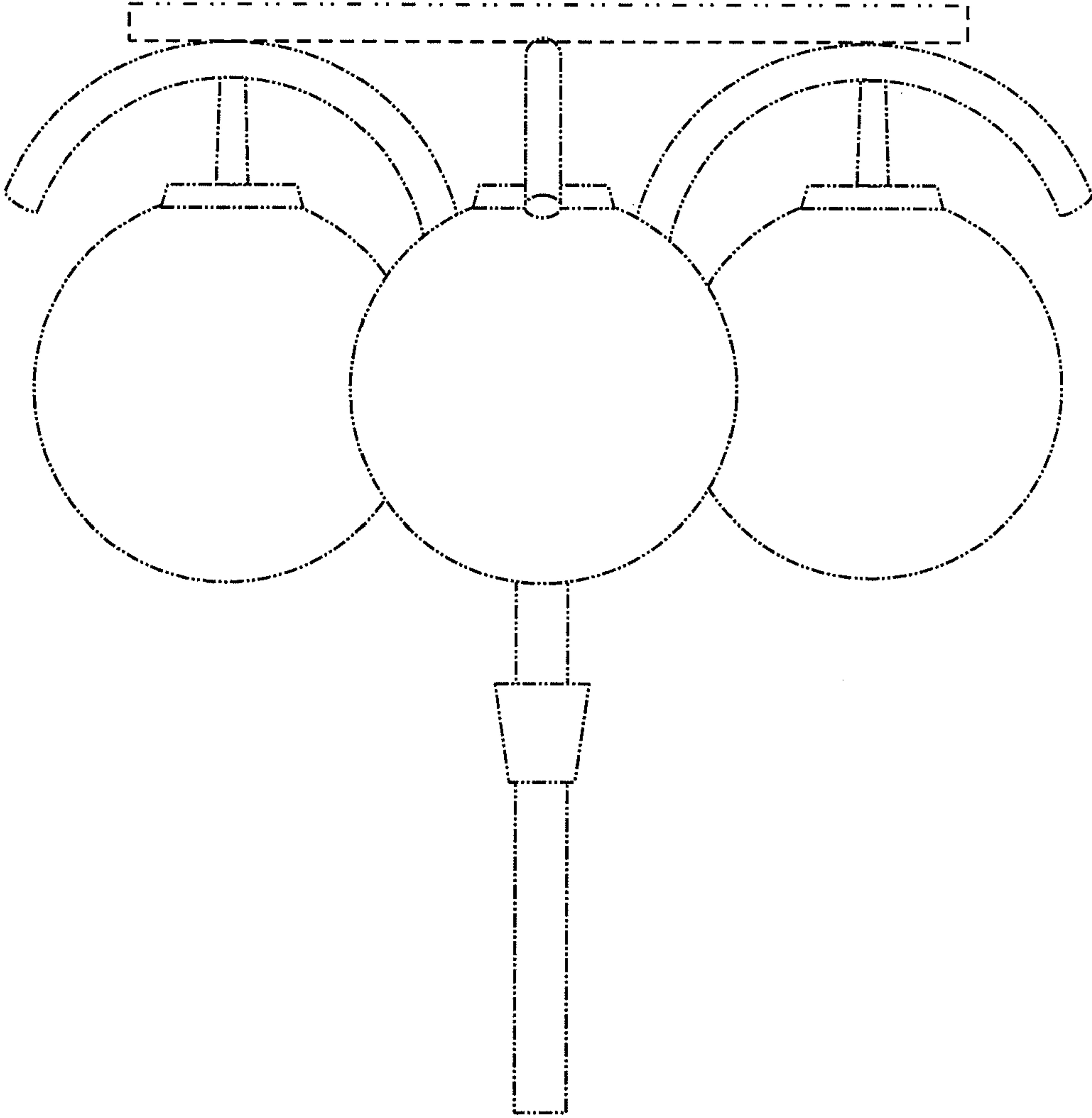


FIGURE 2

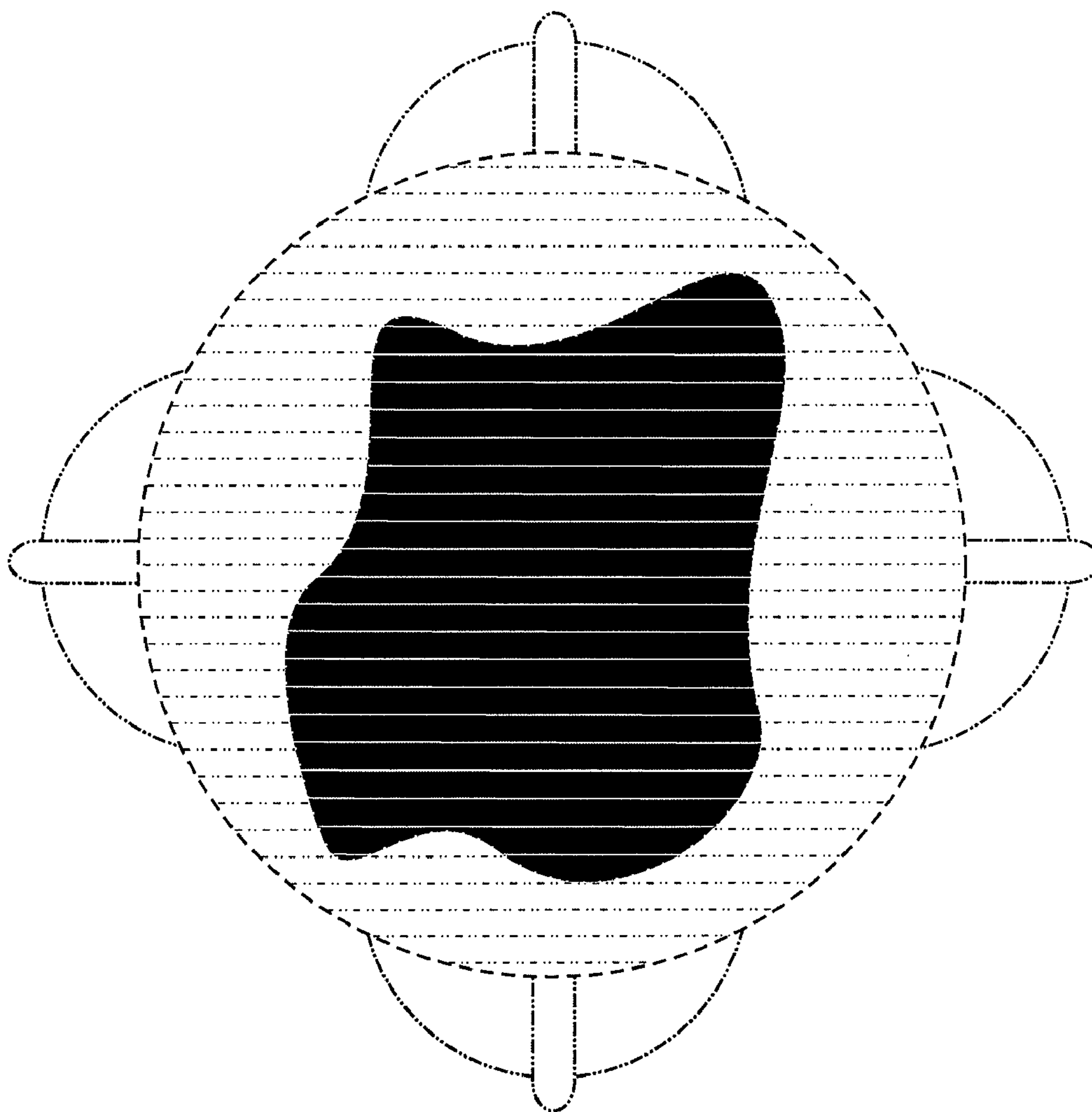


FIGURE 3

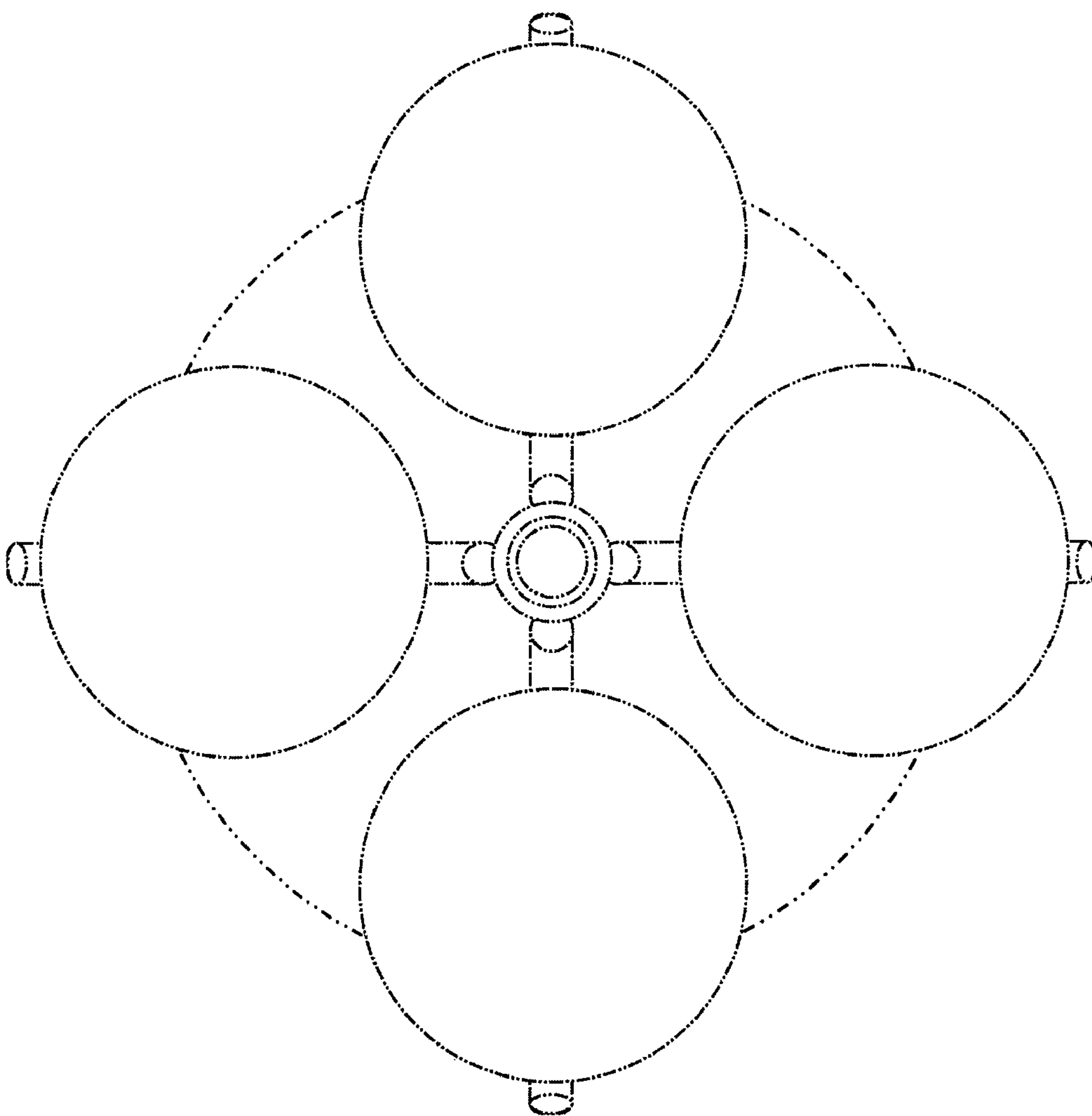


FIGURE 4