



US00D653598S

(12) **United States Design Patent**  
**Zhao**

(10) **Patent No.:** **US D653,598 S**

(45) **Date of Patent:** **\*\* Feb. 7, 2012**

(54) **FRONT FACE OF A VEHICLE WHEEL**

(76) Inventor: **John Zhao**, Monterey Park, CA (US)

(\*\*) Term: **14 Years**

(21) Appl. No.: **29/357,180**

(22) Filed: **Mar. 8, 2010**

(51) **LOC (9) Cl.** ..... **12-16**

(52) **U.S. Cl.** ..... **D12/211**

(58) **Field of Classification Search** ..... D12/204-213;  
301/37.101, 64.101, 65, 64.201

See application file for complete search history.

(56) **References Cited**

U.S. PATENT DOCUMENTS

D408,346 S *	4/1999	Goplen .....	D12/211
D476,284 S *	6/2003	Pfeiffer et al. ....	D12/211
D477,265 S *	7/2003	Chung .....	D12/211
D479,177 S *	9/2003	Nordmann .....	D12/211
D504,102 S *	4/2005	Cheng .....	D12/211
D507,775 S *	7/2005	Pfeiffer .....	D12/211
D515,494 S *	2/2006	Laengerer .....	D12/211
D516,490 S *	3/2006	Baer .....	D12/211
D523,387 S *	6/2006	Pfeiffer .....	D12/211

D527,328 S *	8/2006	Pfeiffer .....	D12/211
D571,703 S *	6/2008	Antoniadis et al. ....	D12/211
D579,848 S *	11/2008	Kim .....	D12/211
D588,516 S *	3/2009	Nagashima .....	D12/211
D613,229 S *	4/2010	Antoniadis et al. ....	D12/211
D625,239 S *	10/2010	Juergens et al. ....	D12/211
D640,178 S *	6/2011	Groom .....	D12/211
D644,157 S *	8/2011	Antoniadis et al. ....	D12/211

\* cited by examiner

*Primary Examiner* — Stacia Cadmus

(74) *Attorney, Agent, or Firm* — Porcopio, Cory, Hargreaves & Savitch LLP

(57) **CLAIM**

The ornamental design for a front face of a vehicle wheel, as shown and described.

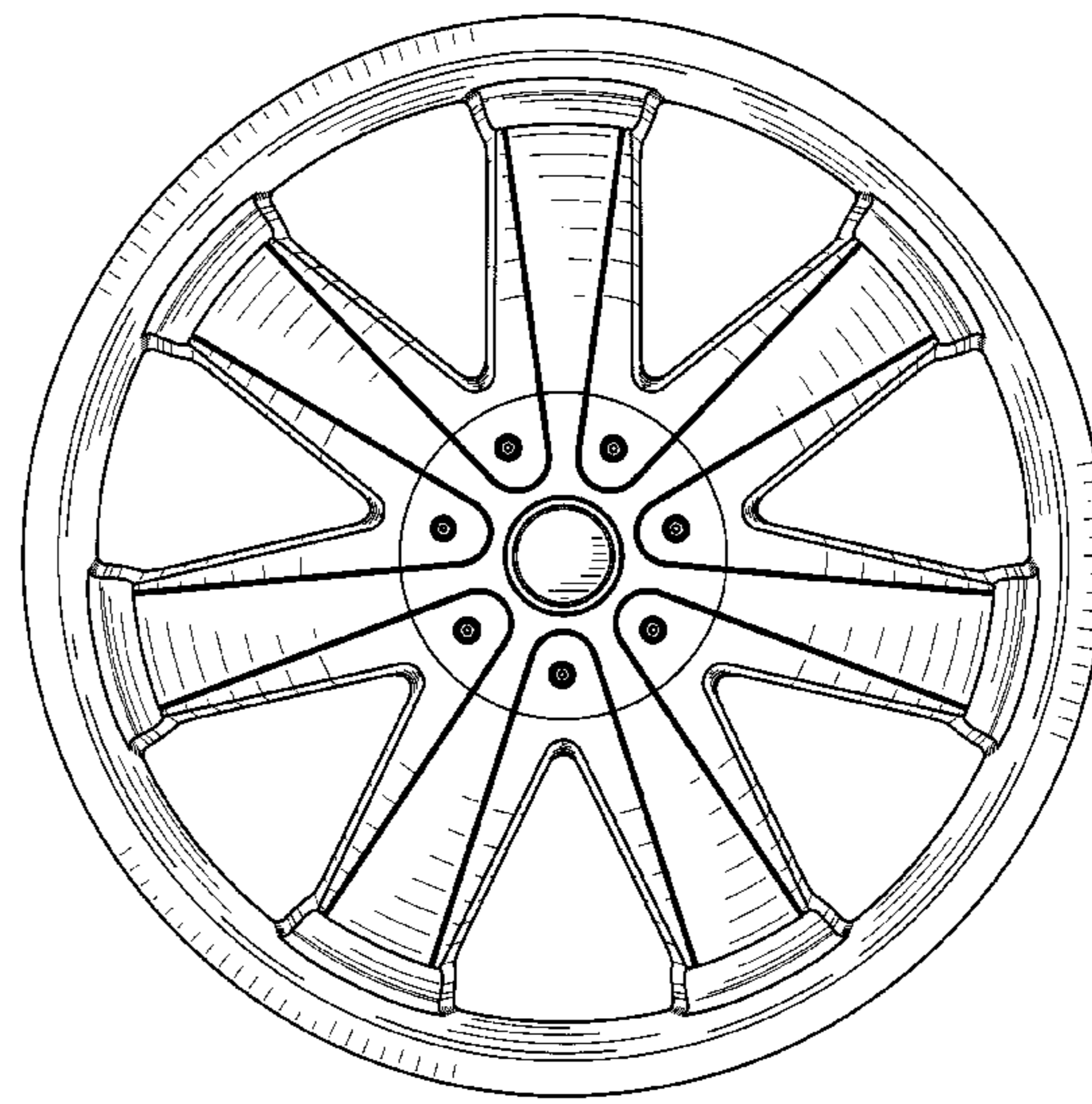
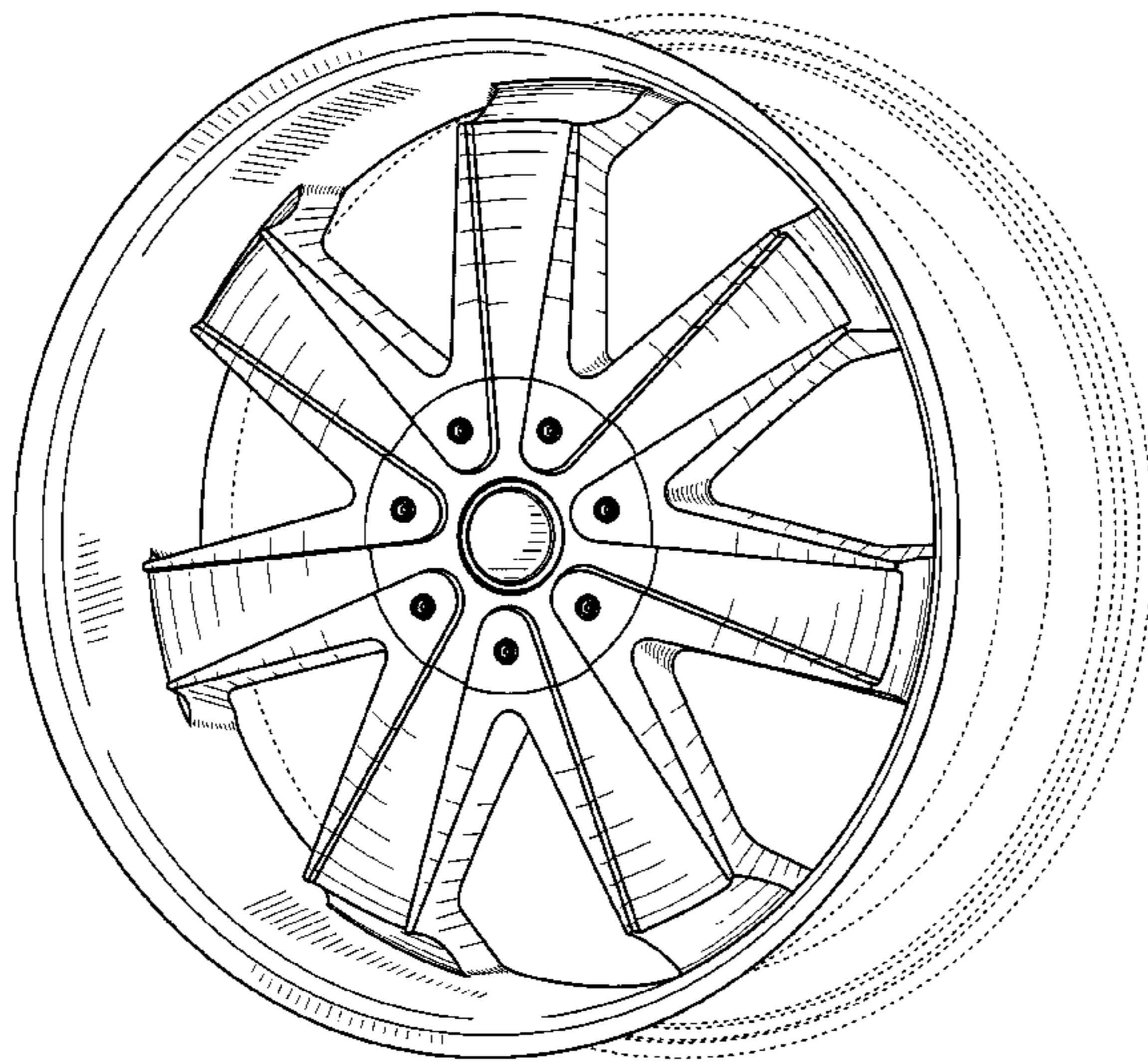
**DESCRIPTION**

FIG. 1 is a perspective view of a front face of a vehicle wheel embodying my new design; and,

FIG. 2 is a front view thereof.

The broken lines are for illustrative purposes only and form no part of the claimed design.

**1 Claim, 2 Drawing Sheets**



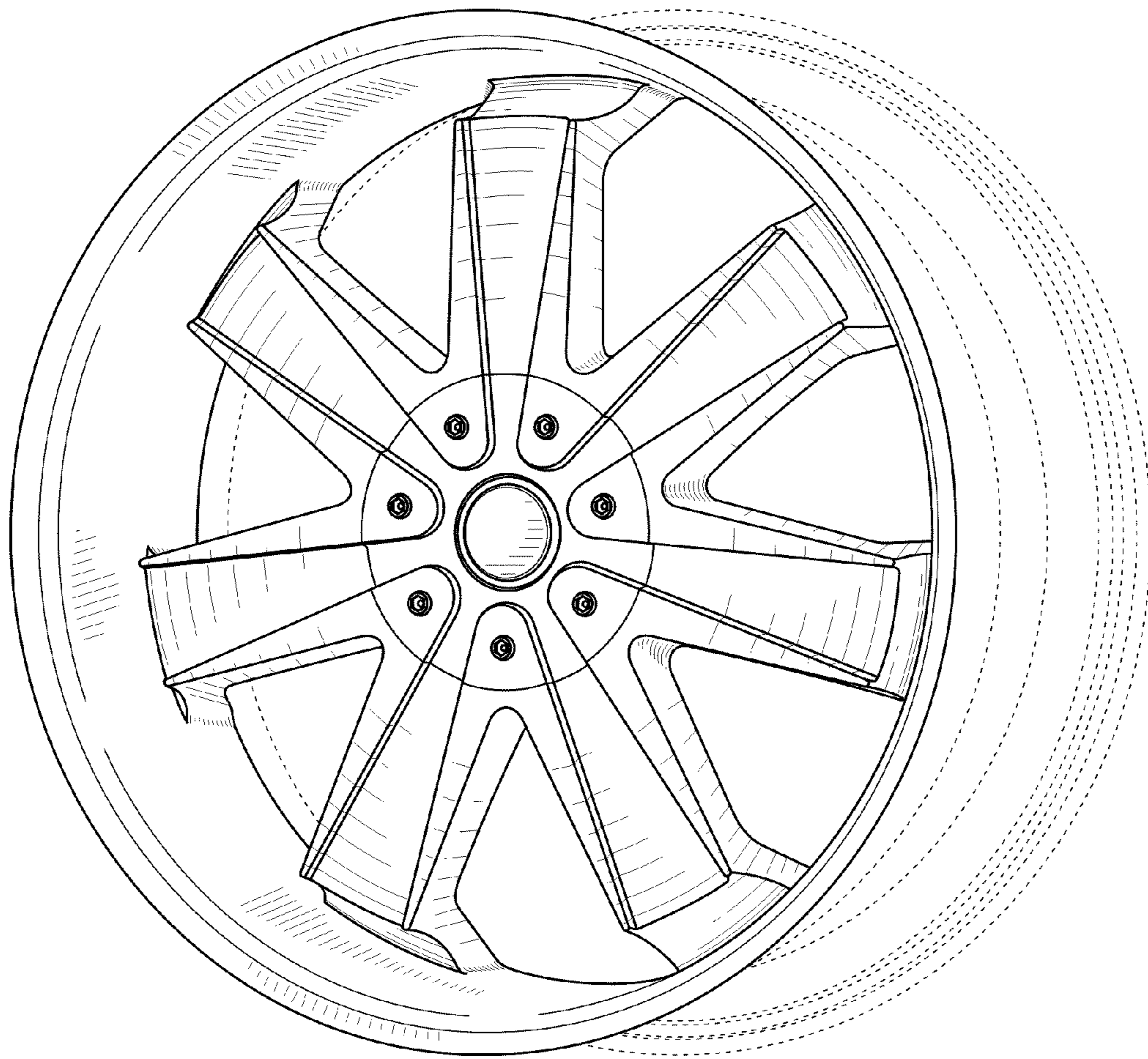


FIG. 1

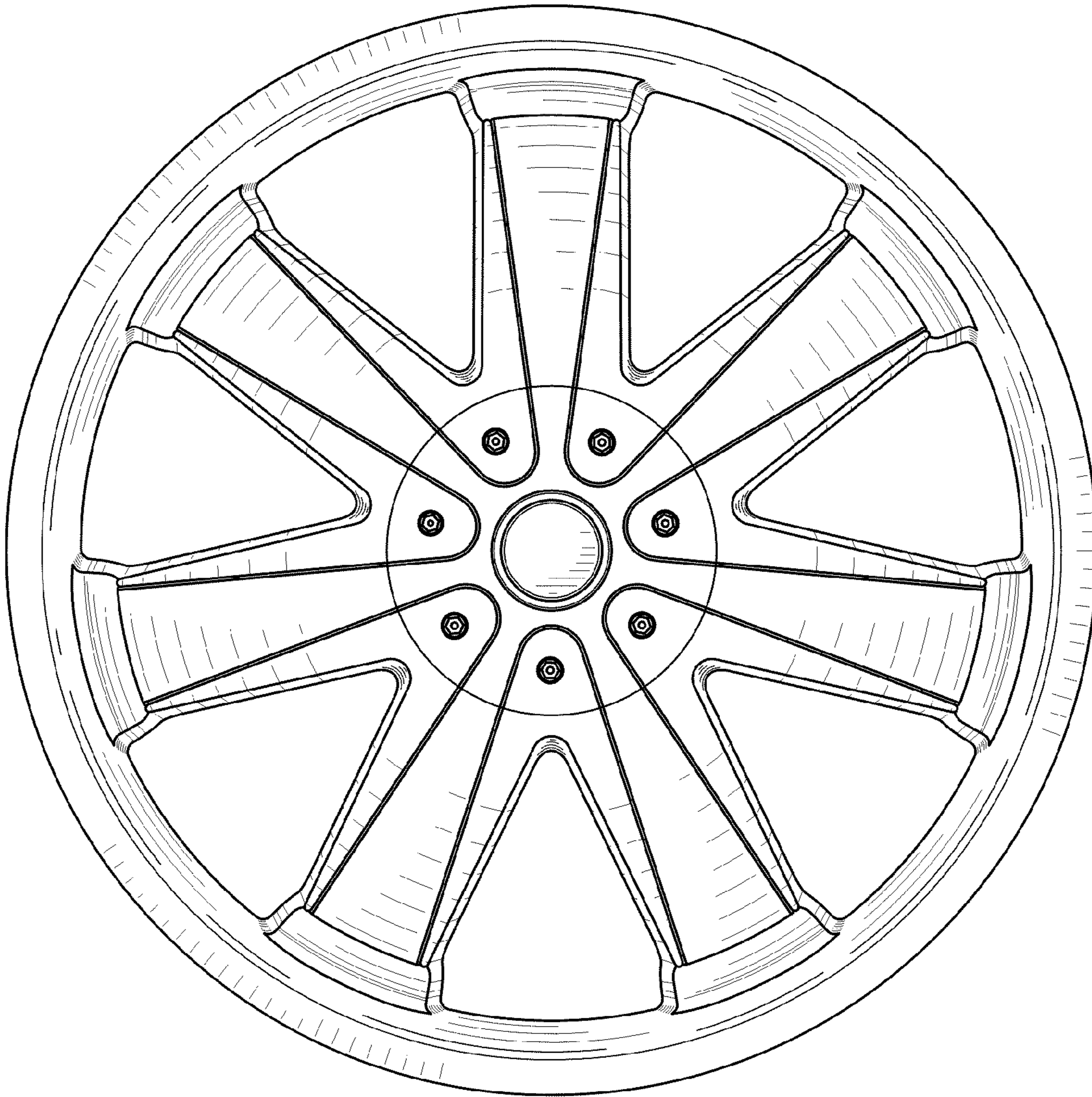


FIG. 2