



US00D653595S

(12) **United States Design Patent**
Matsubara et al.

(10) **Patent No.:** **US D653,595 S**
(45) **Date of Patent:** **** Feb. 7, 2012**

(54) **MIRROR FOR AN AUTOMOBILE**
(75) Inventors: **Norihiro Matsubara**, Toyota (JP); **Kan Hayashida**, Toyota (JP)
(73) Assignee: **Toyota Jidosha Kabushiki Kaisha** (JP)
(**) Term: **14 Years**
(21) Appl. No.: **29/368,648**
(22) Filed: **Aug. 26, 2010**
(51) **LOC (9) Cl.** **12-16**
(52) **U.S. Cl.** **D12/187**
(58) **Field of Classification Search** D12/187,
D12/188-189; D6/300, 309; 359/838, 841,
359/842, 843, 844, 868, 871, 604, 881, 514,
359/866; 248/479-483, 475.1
See application file for complete search history.

2010/0302792 A1* 12/2010 Pastrick et al. 362/494
2011/0157734 A1* 6/2011 Muller et al. 359/871
2011/0194201 A1* 8/2011 Muramatsu 359/871

OTHER PUBLICATIONS

Demio, Mazda, Catalog of Mazda Demio, Mazda, Dec. 2008.
Polo, Volkswagen Japan, Catalog of Volkswagen Polo, Volkswagen,
Oct. 2009.

* cited by examiner

Primary Examiner — Caron D Veynar
Assistant Examiner — Katrina A Betton

(74) *Attorney, Agent, or Firm* — SAIDMAN DesignLaw
Group

(57) **CLAIM**

The ornamental design for a mirror for an automobile, as
shown and described.

DESCRIPTION

FIG. 1 is a front, perspective view of a mirror for an automo-
bile showing our new design;
FIG. 2 is a front view thereof;
FIG. 3 is a rear view thereof;
FIG. 4 is a top view thereof;
FIG. 5 is a bottom view thereof;
FIG. 6 is a right-side view thereof; and,
FIG. 7 is a left-side view thereof.

1 Claim, 2 Drawing Sheets

(56) **References Cited**

U.S. PATENT DOCUMENTS

7,334,925 B2* 2/2008 Pastrick et al. 362/494
D615,915 S * 5/2010 Lamm D12/187
D619,065 S * 7/2010 Bennett et al. D12/187
D619,946 S * 7/2010 Lamm D12/187
2008/0316627 A1* 12/2008 Shinohara 359/871
2010/0264289 A1* 10/2010 Schmierer 248/475.1



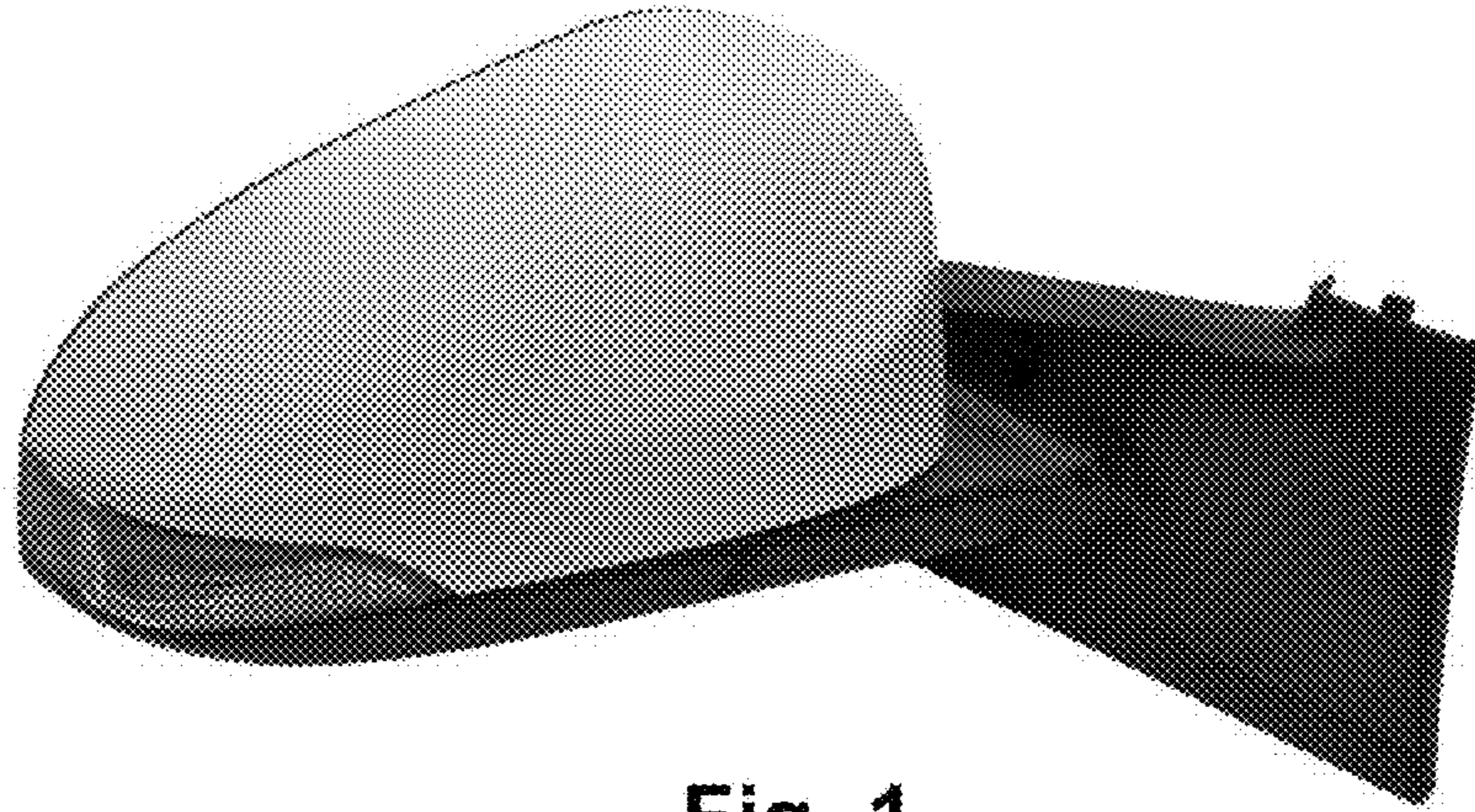


Fig. 1



Fig. 2

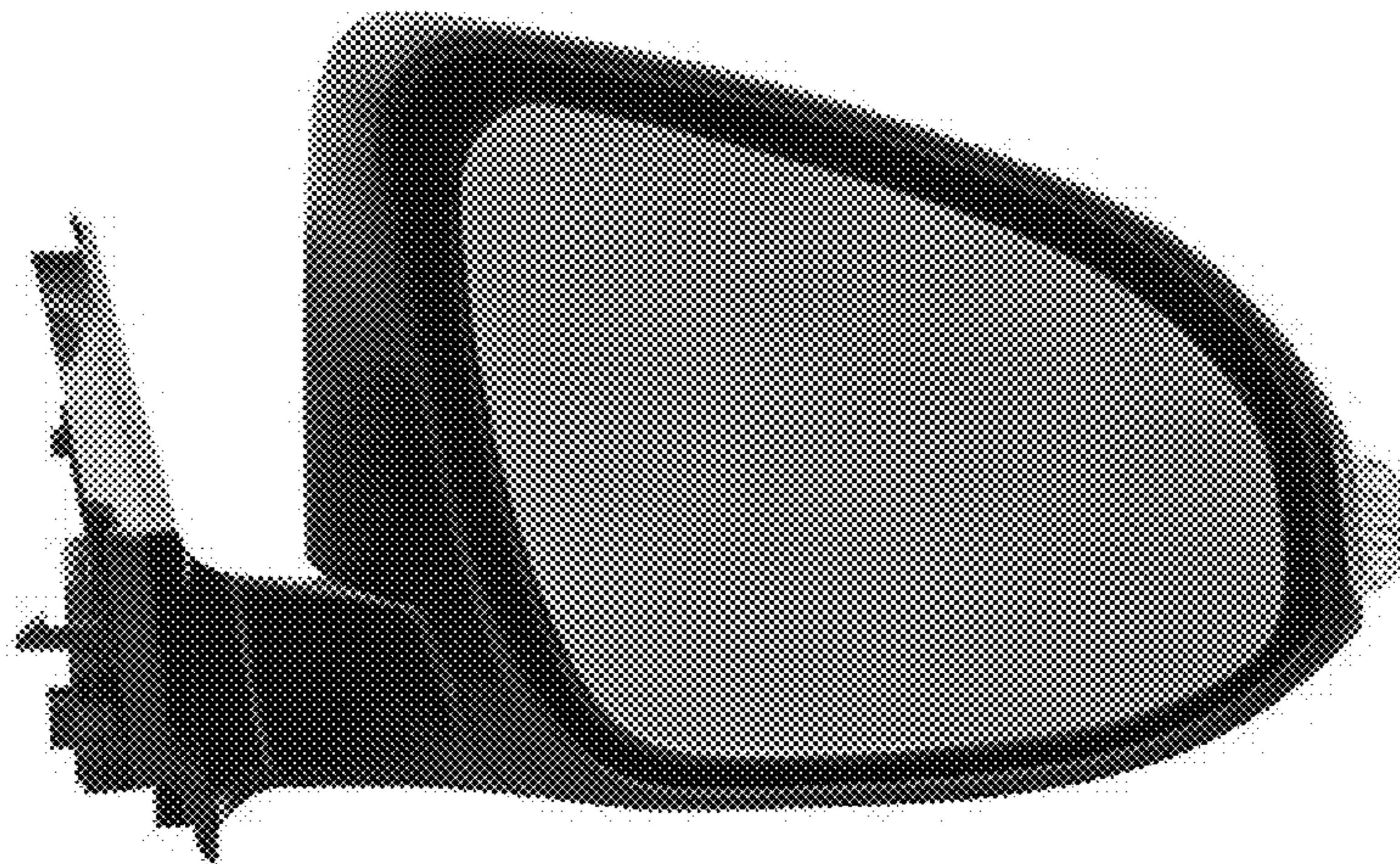


Fig. 3

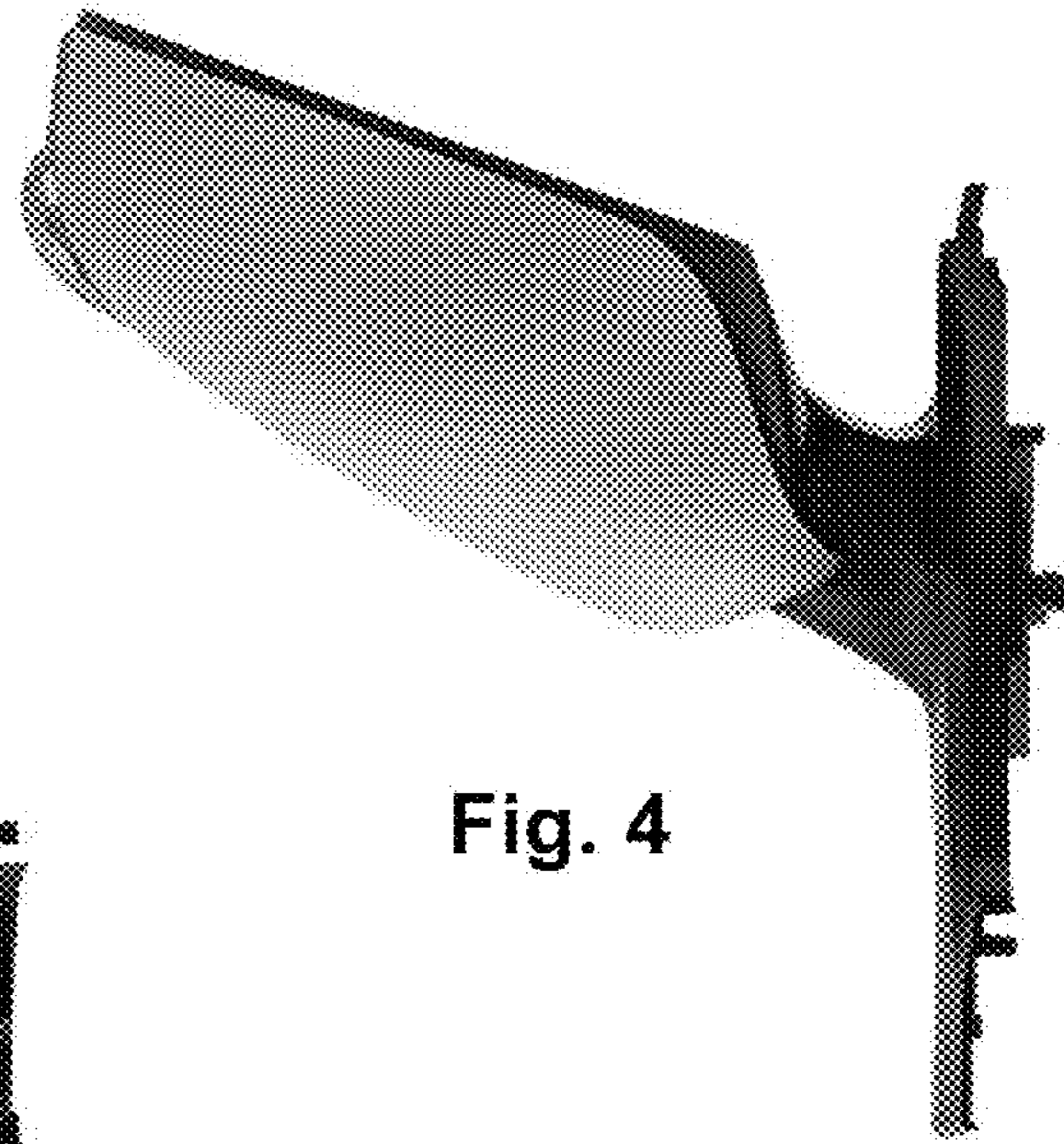


Fig. 4



Fig. 5

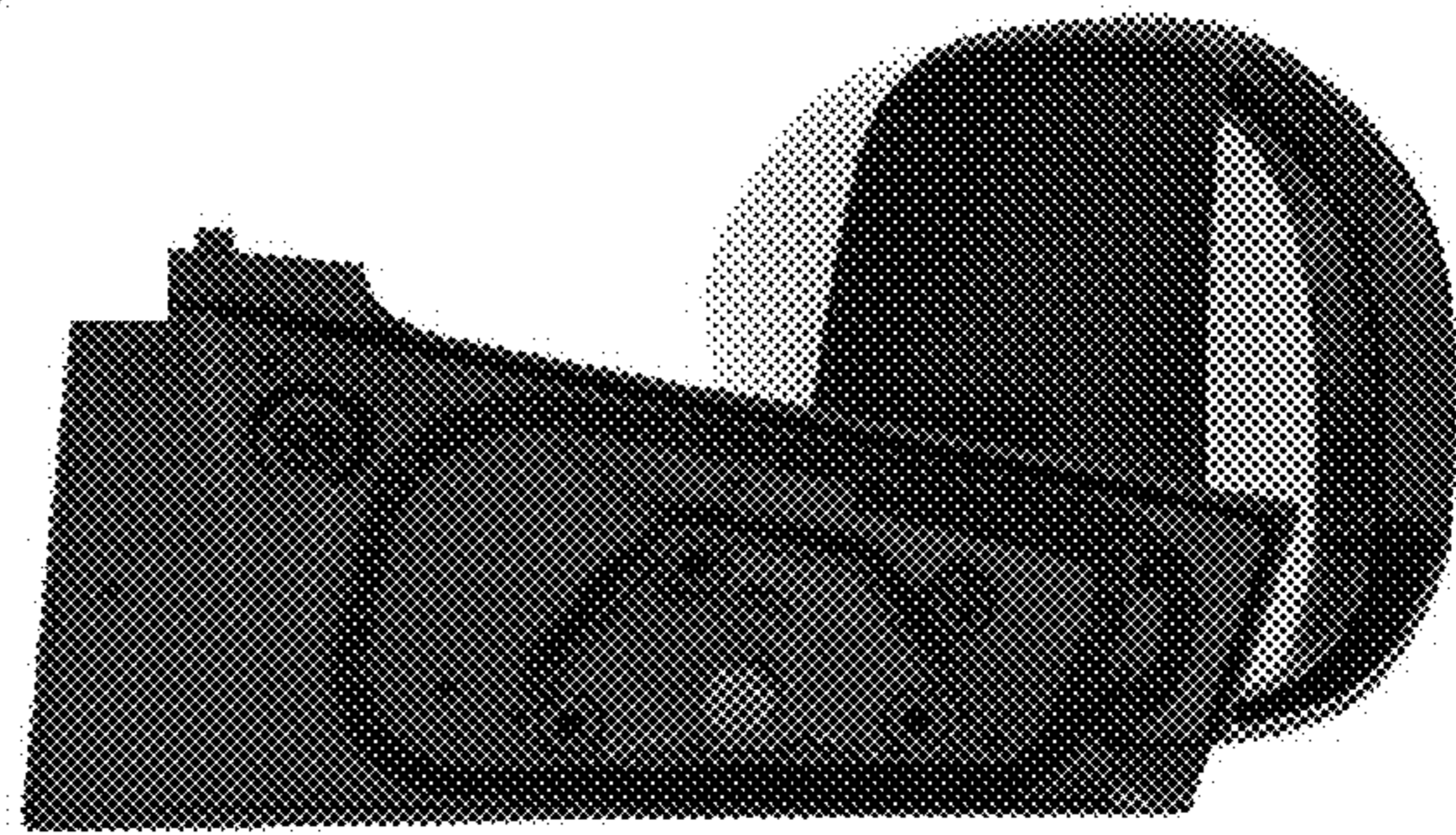


Fig. 6

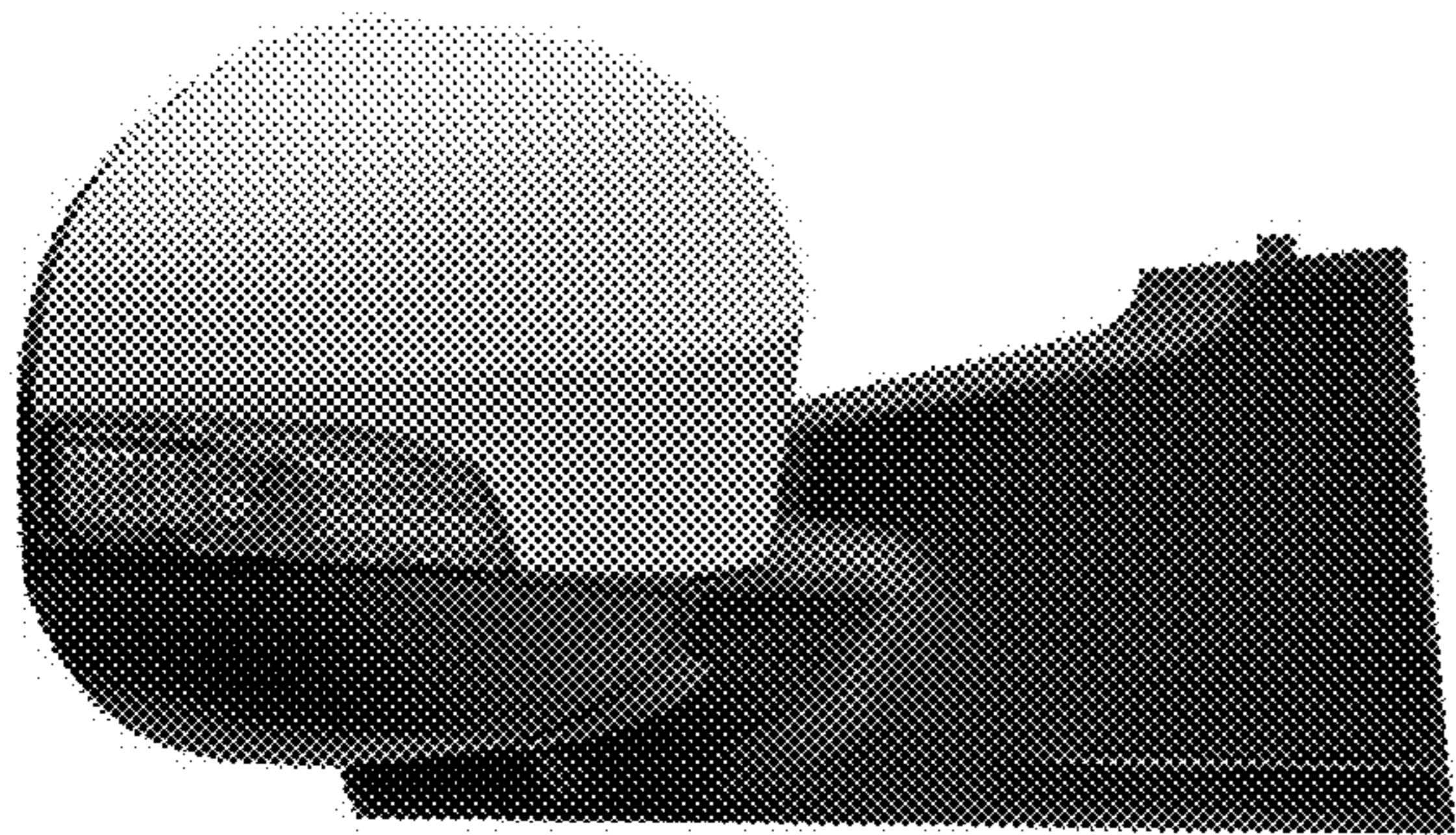


Fig. 7