



US00D653592S

(12) **United States Design Patent**
Brown

(10) **Patent No.:** **US D653,592 S**

(45) **Date of Patent:** **** Feb. 7, 2012**

(54) **TRAILER HITCH HOLDER**

(76) Inventor: **Troy Brown**, Montrose, CO (US)

(**) Term: **14 Years**

(21) Appl. No.: **29/392,262**

(22) Filed: **May 19, 2011**

(51) **LOC (9) Cl.** **12-16**

(52) **U.S. Cl.** **D12/162**

(58) **Field of Classification Search** D12/159,
D12/160, 161, 162; 56/DIG. 14; 37/399;
280/406.2, 407, 407.1, 408, 411.1, 416.1,
280/416.2, 416.3, 418, 418.1, 433, 434, 435,
280/441.1, 441.2, 455.1, 456.1, 480, 493,
280/504, 508, 511; 224/42.11, 42.12, 42.14,
224/42.26, 400, 401, 412, 413, 488, 494,
224/500-501, 519, 537; D25/119-126; D8/349,
D8/373, 380, 382, 499

See application file for complete search history.

(56) **References Cited**

U.S. PATENT DOCUMENTS

2,493,874	A *	1/1950	Hume	280/406.2
D200,099	S *	1/1965	Attwod	D25/121
4,034,463	A *	7/1977	Ryan	29/446
4,676,413	A *	6/1987	Began et al.	224/532
D296,075	S *	6/1988	Jones	D8/373
D342,011	S *	12/1993	Maguire	D8/349
5,310,152	A *	5/1994	O'Neill	248/329
5,749,685	A *	5/1998	Hain	410/7
6,077,004	A *	6/2000	Denman, Jr.	410/8

6,474,522	B1 *	11/2002	Johnson	224/515
6,746,037	B1 *	6/2004	Kaplenski et al.	280/484
6,832,709	B2 *	12/2004	Henry	224/403
7,147,415	B2 *	12/2006	Rorie et al.	410/7
D579,402	S *	10/2008	Ball et al.	D12/223
7,445,400	B2 *	11/2008	Takeuchi	403/292
D611,887	S *	3/2010	Peschmann	D12/223
7,963,492	B2 *	6/2011	Nevins	248/225.11
2007/0263307	A1 *	11/2007	Wu et al.	359/894
2009/0200351	A1 *	8/2009	Brallier et al.	224/404
2010/0224746	A1 *	9/2010	Johnson et al.	248/205.1
2010/0314899	A1 *	12/2010	Slacks	296/37.6

FOREIGN PATENT DOCUMENTS

KR	97041492	A *	7/1997
KR	2009006965	A *	1/2009

* cited by examiner

Primary Examiner — Michael Pratt

(57) **CLAIM**

The ornamental design for a trailer hitch holder, as shown and described.

DESCRIPTION

FIG. 1 is a front elevation view of a trailer hitch holder showing my new design, the opposite side being a mirror image of the shown;

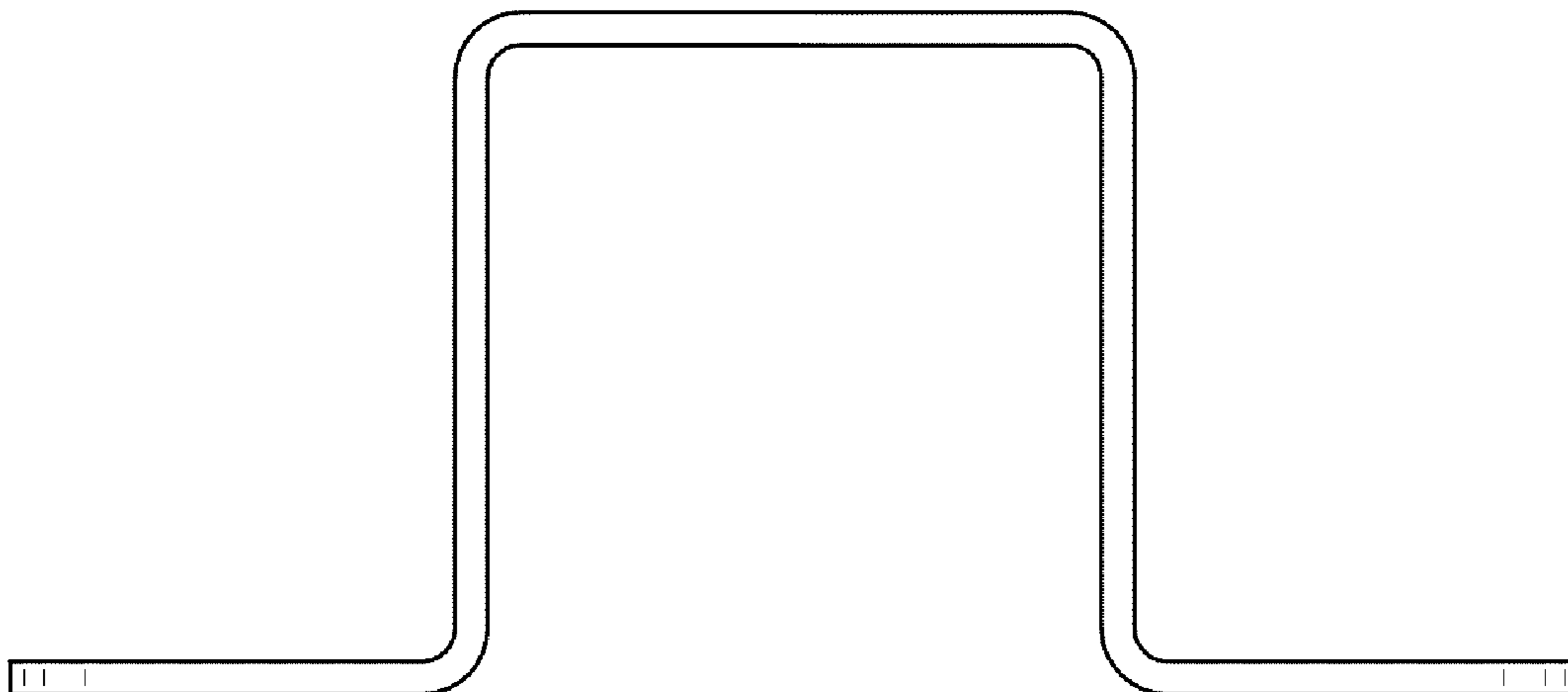
FIG. 2 is a right elevation view thereof, the opposite side being a mirror image of the shown;

FIG. 3 is a top plan view thereof;

FIG. 4 is a bottom plan view thereof; and,

FIG. 5 is an isometric view thereof.

1 Claim, 3 Drawing Sheets



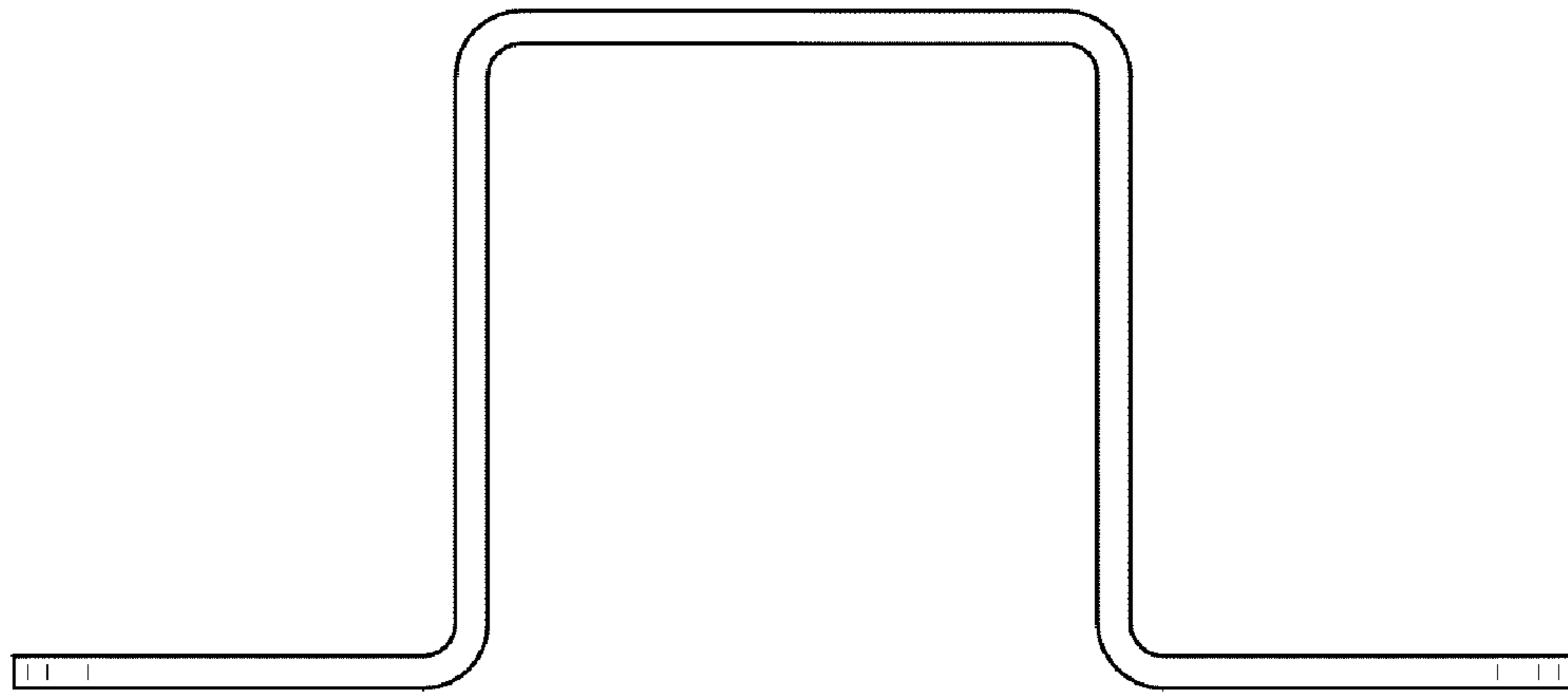


FIG. 1

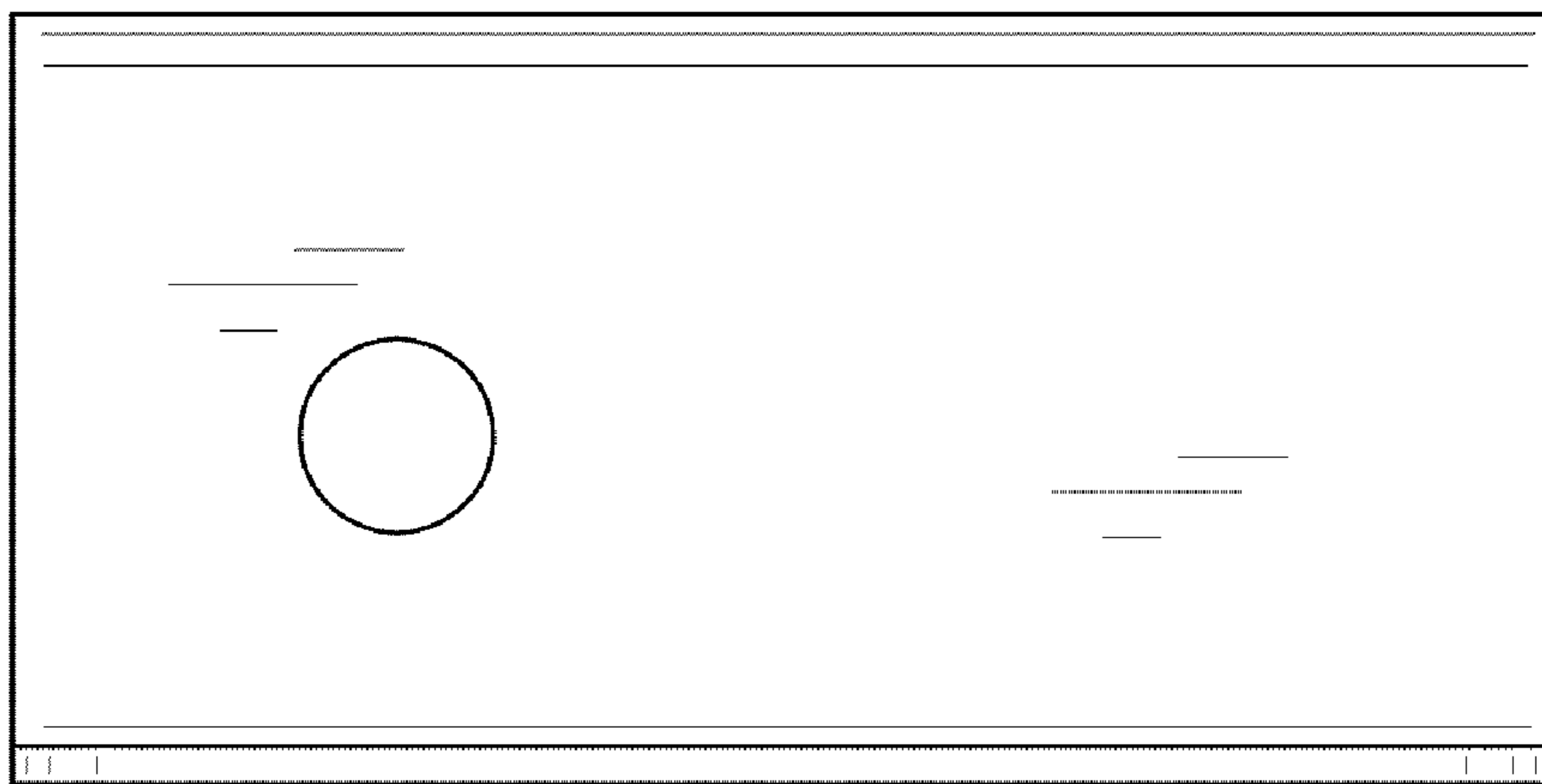


FIG. 2

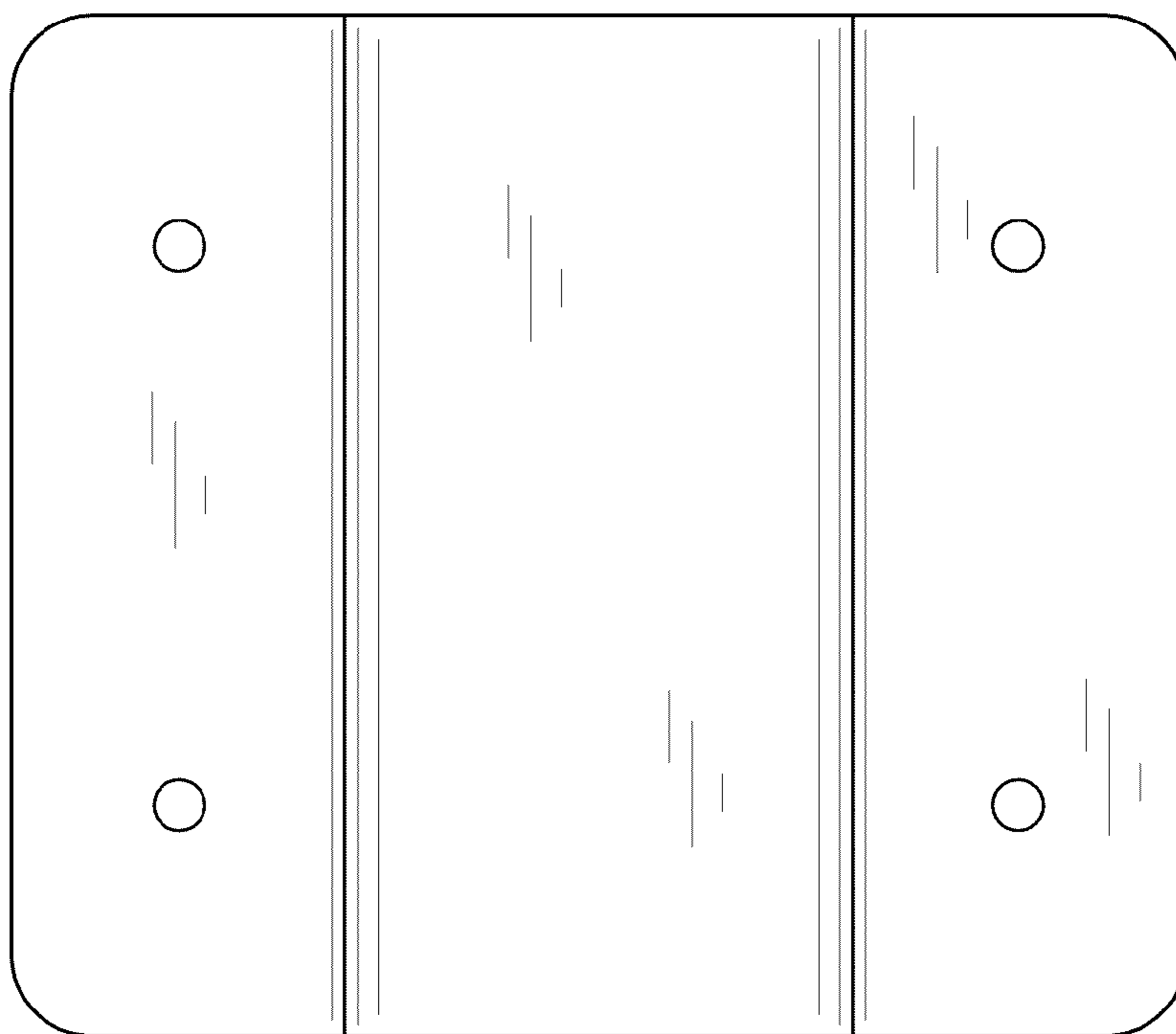


FIG. 3

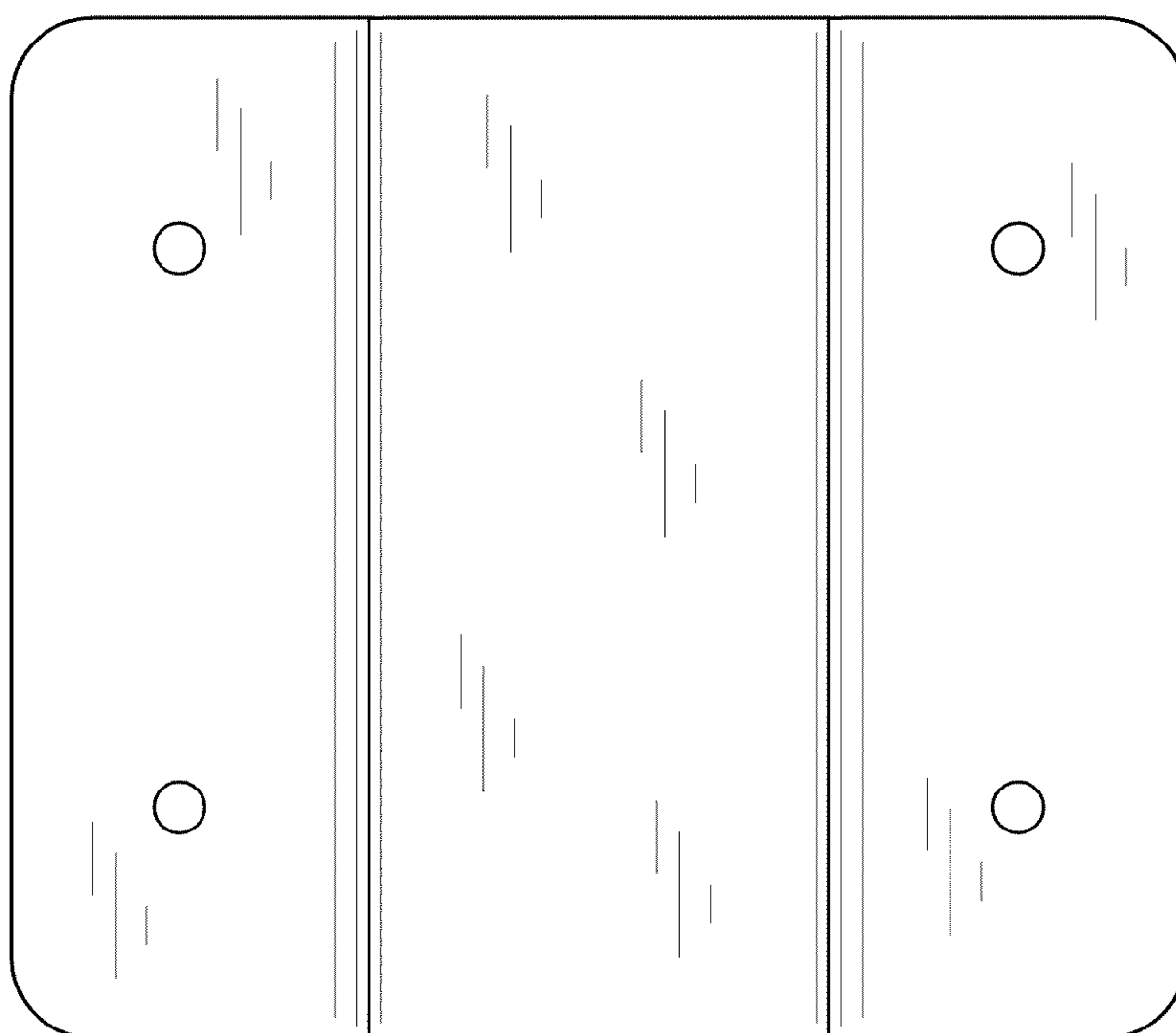


FIG. 4

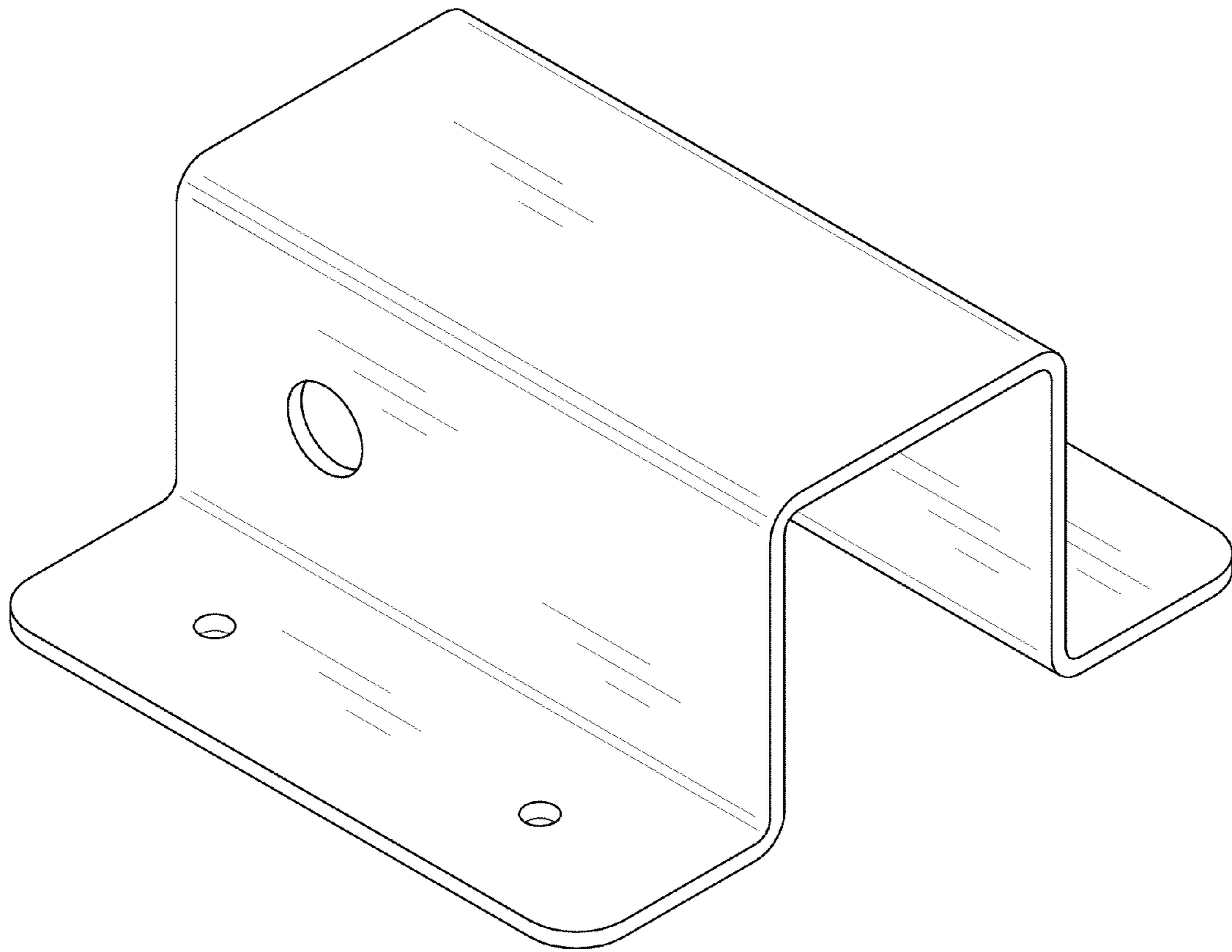


FIG. 5