

US00D653591S

(12) **United States Design Patent**  
**Horvath et al.**

(10) **Patent No.:** **US D653,591 S**  
(45) **Date of Patent:** **\*\* Feb. 7, 2012**

(54) **MODULAR CHAIR**

(75) Inventors: **Dylan Horvath**, Toronto (CA); **Scott Bodaly**, Toronto (CA); **Travis Patrick Clarke**, Kitchener (CA); **Takuro Nishiwaki**, Waterloo (CA)

(73) Assignee: **Broda Enterprises, Inc.**, Kitchener, Ontario (CA)

(\*\*) Term: **14 Years**

(21) Appl. No.: **29/380,585**

(22) Filed: **Dec. 8, 2010**

(51) **LOC (9) Cl.** ..... **12-12**

(52) **U.S. Cl.** ..... **D12/128**

(58) **Field of Classification Search** ..... D12/128-133;  
297/DIG. 4; 296/65.03, 64.04; 224/409;  
280/62, 647-650, 29, 200, 47.38, 250.1,  
280/259, 642, 658

See application file for complete search history.

(56) **References Cited**

**U.S. PATENT DOCUMENTS**

2,690,788	A	1/1945	Ames	
4,176,879	A	12/1979	Rodaway	
4,320,818	A	3/1982	Knoche	
4,438,973	A	3/1984	La Pointe	
D279,240	S	6/1985	Jernigan	
4,623,043	A	11/1986	Babilas	
D289,507	S *	4/1987	Danielsson	..... D12/130
4,741,547	A	5/1988	Tholkes	
4,790,553	A	12/1988	Okamoto	
4,790,598	A	12/1988	Locher	
4,826,196	A	5/1989	Kirkpatrick et al.	
4,934,725	A	6/1990	Owens	
4,988,114	A	1/1991	Thornton, Jr.	
D315,123	S *	3/1991	Spiegel et al.	..... D12/131
5,033,793	A	7/1991	Quintile	
5,203,433	A	4/1993	Dugas	
5,240,277	A *	8/1993	Scheulderman	..... 280/650
5,259,664	A	11/1993	Cottle	
5,328,183	A	7/1994	Counts	
5,328,247	A	7/1994	Lovins	
5,348,367	A	9/1994	Mizelle	

5,352,020	A	10/1994	Wade et al.	
5,380,034	A *	1/1995	Wilson	..... 280/657
5,401,045	A	3/1995	Foerster et al.	
D364,971	S *	12/1995	Sterlacci	..... D6/367
D374,129	S	10/1996	Timmons	
5,560,627	A	10/1996	Zatulovsky et al.	
D390,368	S	2/1998	Tseng	
5,868,461	A	2/1999	Brotherston	
D414,143	S	9/1999	Brotherston	
5,947,557	A	9/1999	Bellefleur	
6,120,094	A	9/2000	Parent	
6,155,586	A	12/2000	Melgarejo et al.	
6,206,405	B1 *	3/2001	Watkins	..... 280/647
6,217,050	B1	4/2001	Dickie et al.	
6,234,576	B1	5/2001	Fleigle	

(Continued)

**OTHER PUBLICATIONS**

Product Brochure for Invacare Uni-Recliners; obtained Nov. 2010.

(Continued)

*Primary Examiner* — Ian Simmons

*Assistant Examiner* — Charles Hanson

(74) *Attorney, Agent, or Firm* — Thorpe North & Western LLP

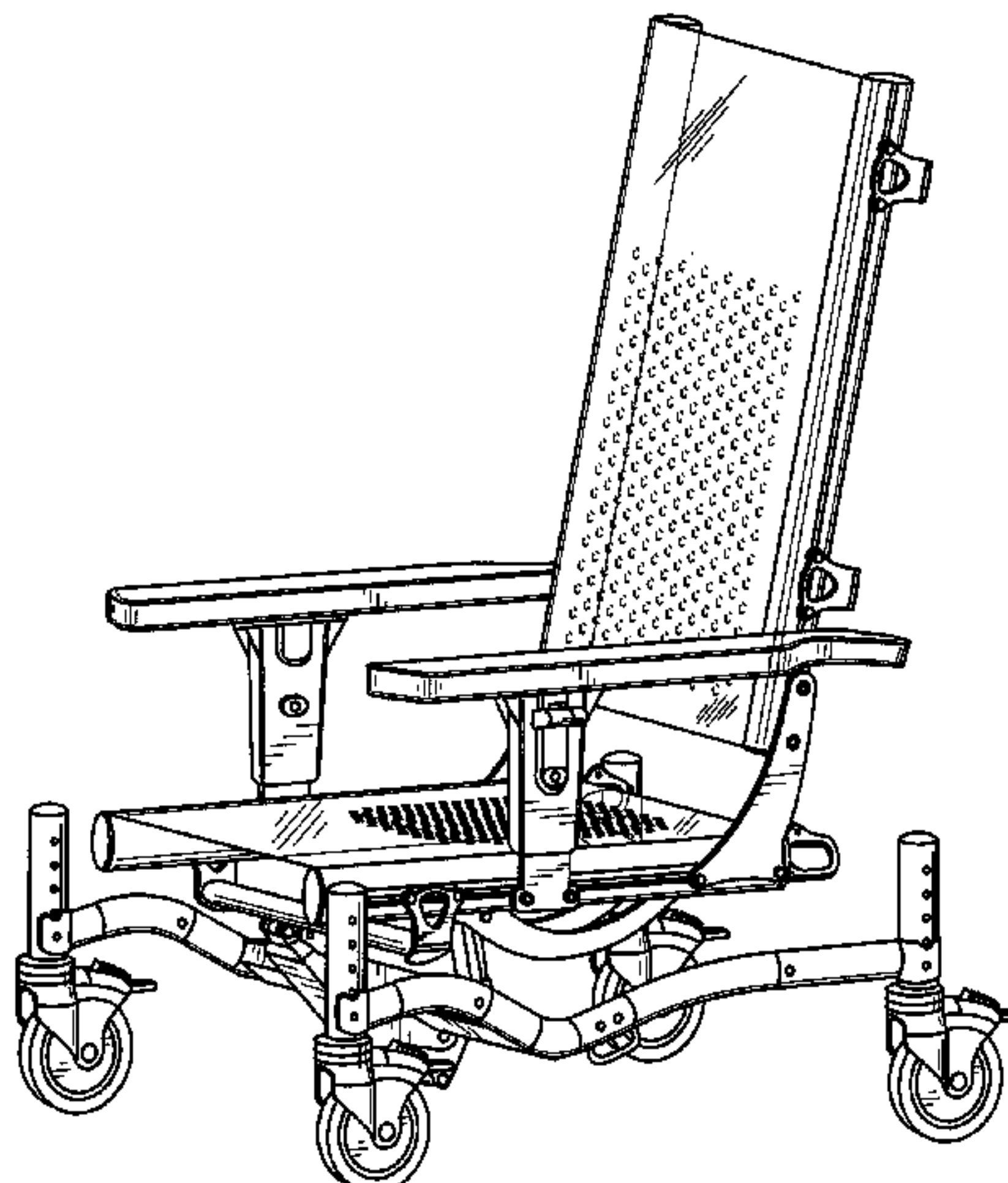
(57) **CLAIM**

The ornamental design for the modular chair, as shown and described.

**DESCRIPTION**

FIG. 1 is an elevated, perspective view of the modular chair in accordance with our invention;  
FIG. 2 is a left side elevation view thereof;  
FIG. 3 is a right side elevation view thereof;  
FIG. 4 is a front end elevation view thereof;  
FIG. 5 is a back end elevation view thereof;  
FIG. 6 is a top plan view thereof; and,  
FIG. 7 is a bottom plan view thereof.  
The broken line showing of the holes on the back and seat is included for the purpose of illustrating environment and forms no part of the claimed design.

**1 Claim, 7 Drawing Sheets**



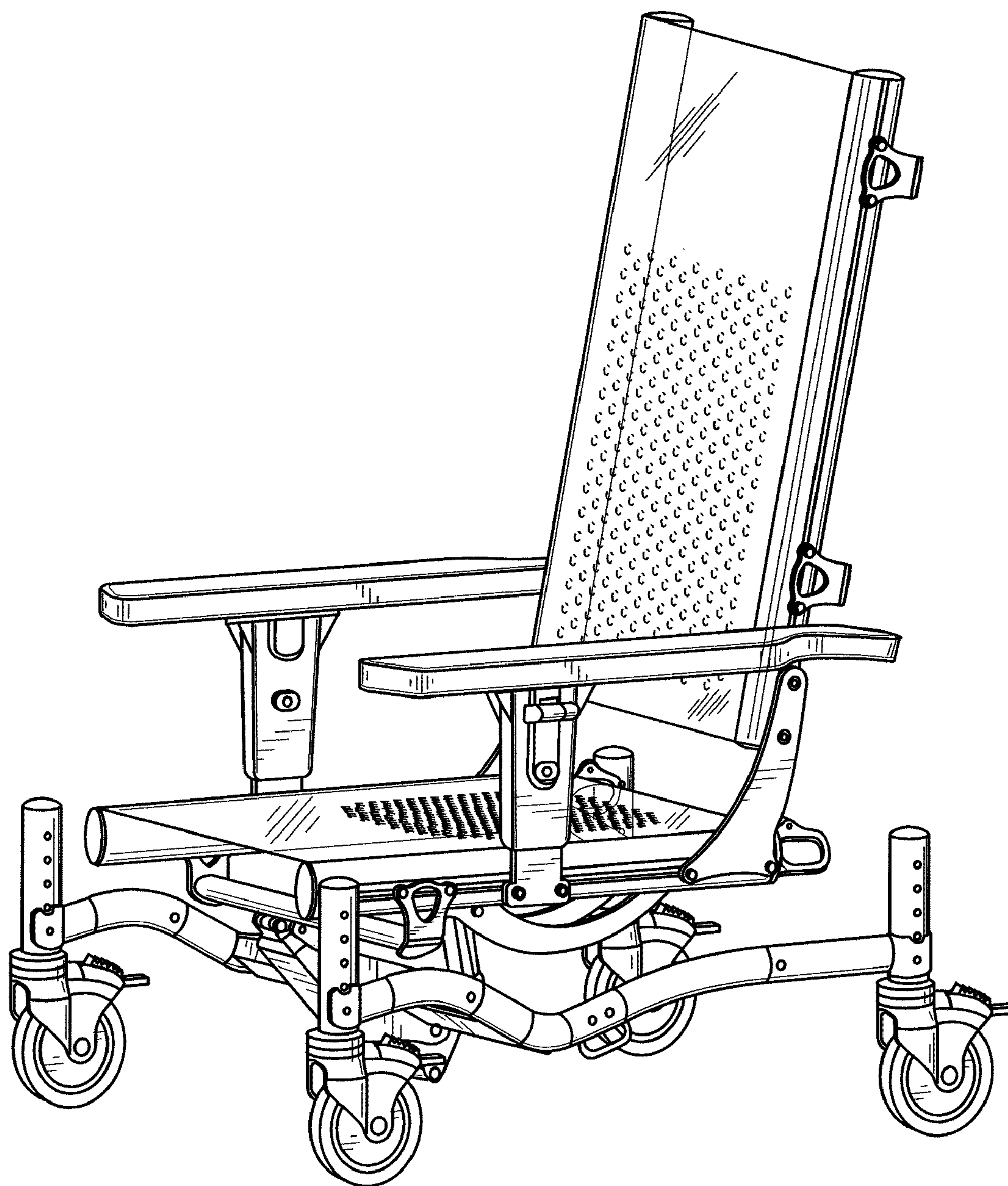
U.S. PATENT DOCUMENTS

6,244,658 B1 6/2001 Parent et al.  
 D455,985 S 4/2002 Olivares  
 6,406,095 B1 6/2002 Bouchard et al.  
 D462,845 S \* 9/2002 Canto Garcia ..... D6/335  
 6,464,295 B1 10/2002 Bergeron et al.  
 6,499,756 B2 12/2002 Amirola  
 6,517,160 B2 2/2003 Marcantoni  
 6,585,279 B1 7/2003 Galloway et al.  
 6,588,841 B1 7/2003 Hoffman et al.  
 6,612,651 B1 9/2003 Garland  
 6,648,354 B2 11/2003 James  
 D484,832 S \* 1/2004 Okamoto et al. .... D12/131  
 6,715,784 B2 4/2004 Koerlin et al.  
 6,761,405 B2 7/2004 Bellefleur  
 6,764,137 B2 7/2004 Menard  
 6,773,073 B1 8/2004 Escobedo  
 6,880,845 B1 4/2005 Broyles et al.  
 6,913,318 B2 \* 7/2005 Higley et al. .... 297/383  
 6,997,510 B2 2/2006 Guillot et al.  
 7,201,438 B2 4/2007 Reinsch et al.  
 7,334,840 B2 2/2008 Deans et al.  
 7,360,840 B2 4/2008 Barlow et al.  
 7,360,841 B2 4/2008 Barlow et al.  
 7,503,624 B2 3/2009 Hoffman et al.  
 7,540,520 B2 6/2009 Barlow et al.  
 D606,909 S \* 12/2009 Ahlbertz ..... D12/131  
 7,661,696 B1 \* 2/2010 Acebo ..... 280/647  
 D611,718 S \* 3/2010 Tierney ..... D6/367  
 2006/0181068 A1 8/2006 Bennett et al.  
 2008/0258512 A1 10/2008 Rogers  
 2009/0315376 A1 12/2009 Nishiwaki

OTHER PUBLICATIONS

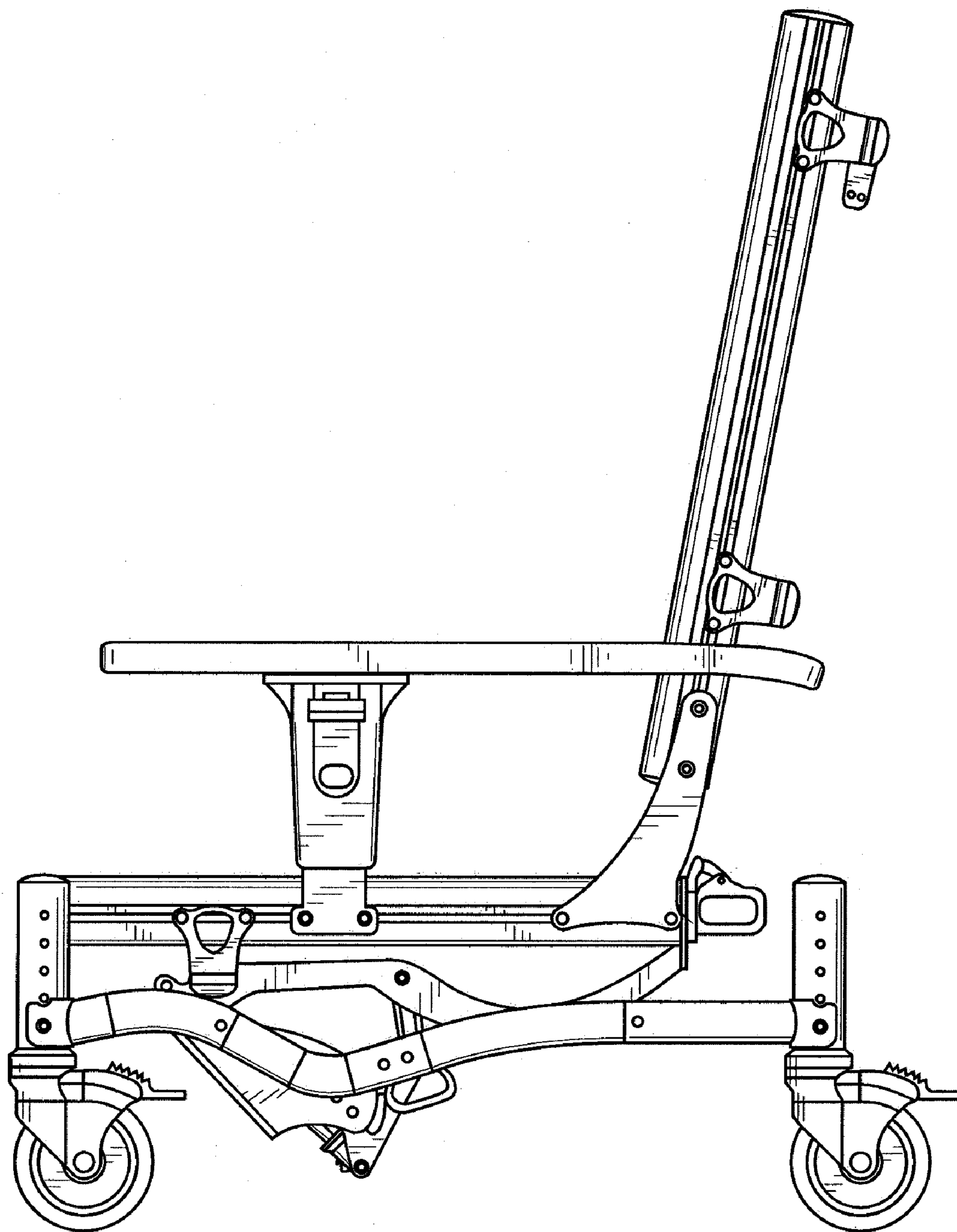
Product Brochure for Optimum Posturo-Pedic Chair, series 1000; obtained Nov. 2010.  
 Product Brochure for Comp-Position-tilt—in-Space; obtained Nov. 2010.  
 Product Users Guide for Com-Position; obtained Nov. 2010.  
 Product Users Guide for Dyn-Ergo; obtained Nov. 2010.  
 Product Brochure for Dyn-Ergo Scoot Chair; obtained Nov. 2010.  
 Product Brochure for Maple Leaf Wheelchair, MLT 700A & 700B; obtained Nov. 2010.  
 Product Brochure for Optimum Posturo-Pedic Chair; obtained Nov. 2010.  
 Product Operating and Maintenance Manual for Maple Leaf Wheelchair; obtained Nov. 2010.  
 Broda product brochure; 587 Tilt Wheelchair; obtained Oct. 2004.  
 Broda product brochure; Vanguard Bariatric Tilt Recliner; obtained May 2010.  
 Broda product brochure; Comfort Tension Seating, Long Term Chair (4 pages).  
 Broda product brochure; Auto Locking Glider; obtained Apr. 2006.  
 Broda product brochure; Model CS 385 Commode Shower Chair.  
 Broda product brochure; Pedal Rocker; obtained Oct. 2000.  
 Broda product brochure; Pedal Chair; obtained 1988.  
 Broda product brochure; Midline Full Recliner; obtained May 2006.  
 Broda product brochure; Elite chairs.  
 Broda product brochure; Acute Care Chair.  
 Broda product brochure; Bari 385, Bariatric Transport Commode/Shower Chair; obtained Feb. 2006.  
 Broda product brochure; 30VT & 80 V Models, basic chairs; obtained 1993.  
 Broda product brochure; Seating Solutions.  
 Broda Essentials for Seating and Positioning.

\* cited by examiner

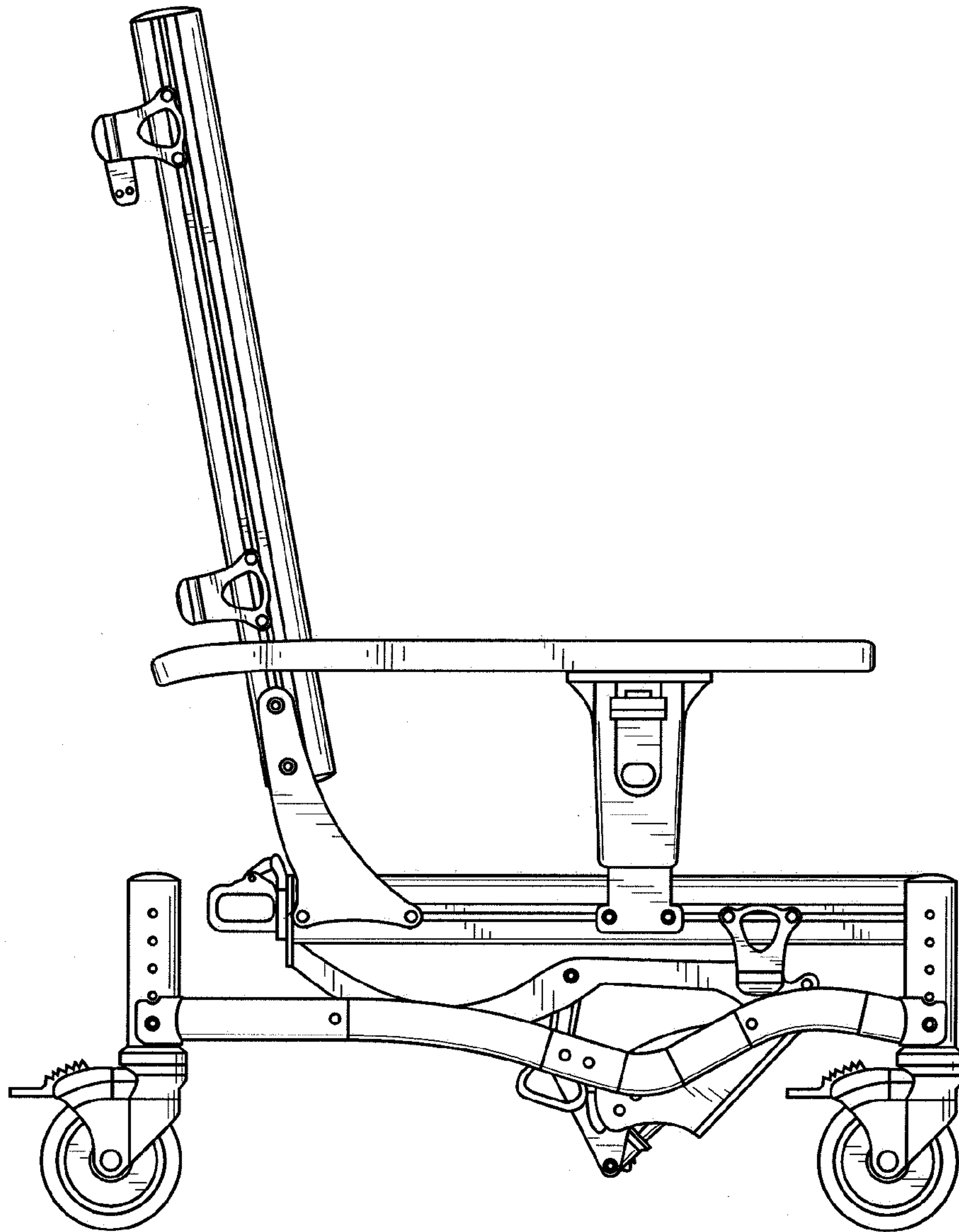


**FIG. 1**

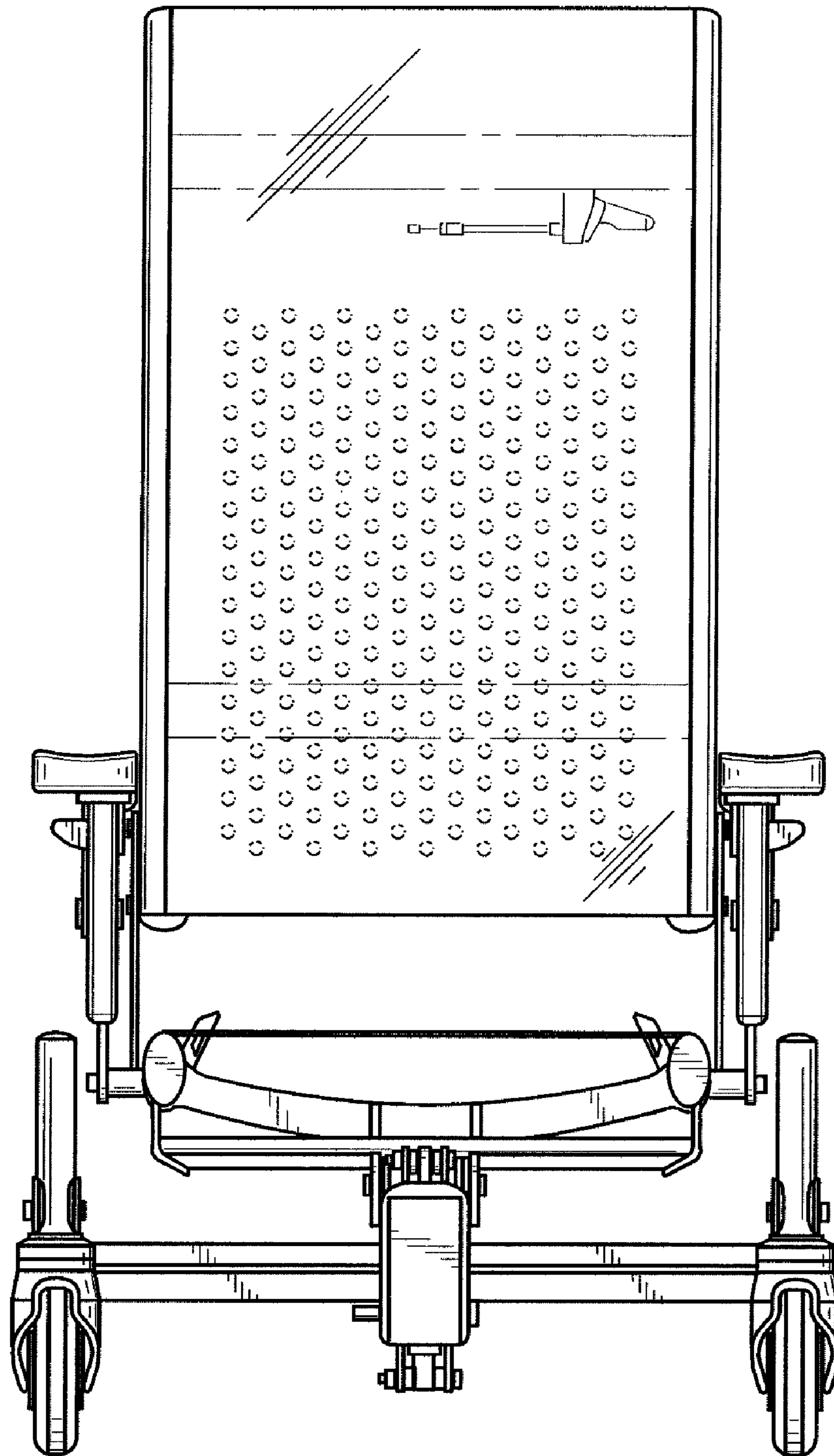




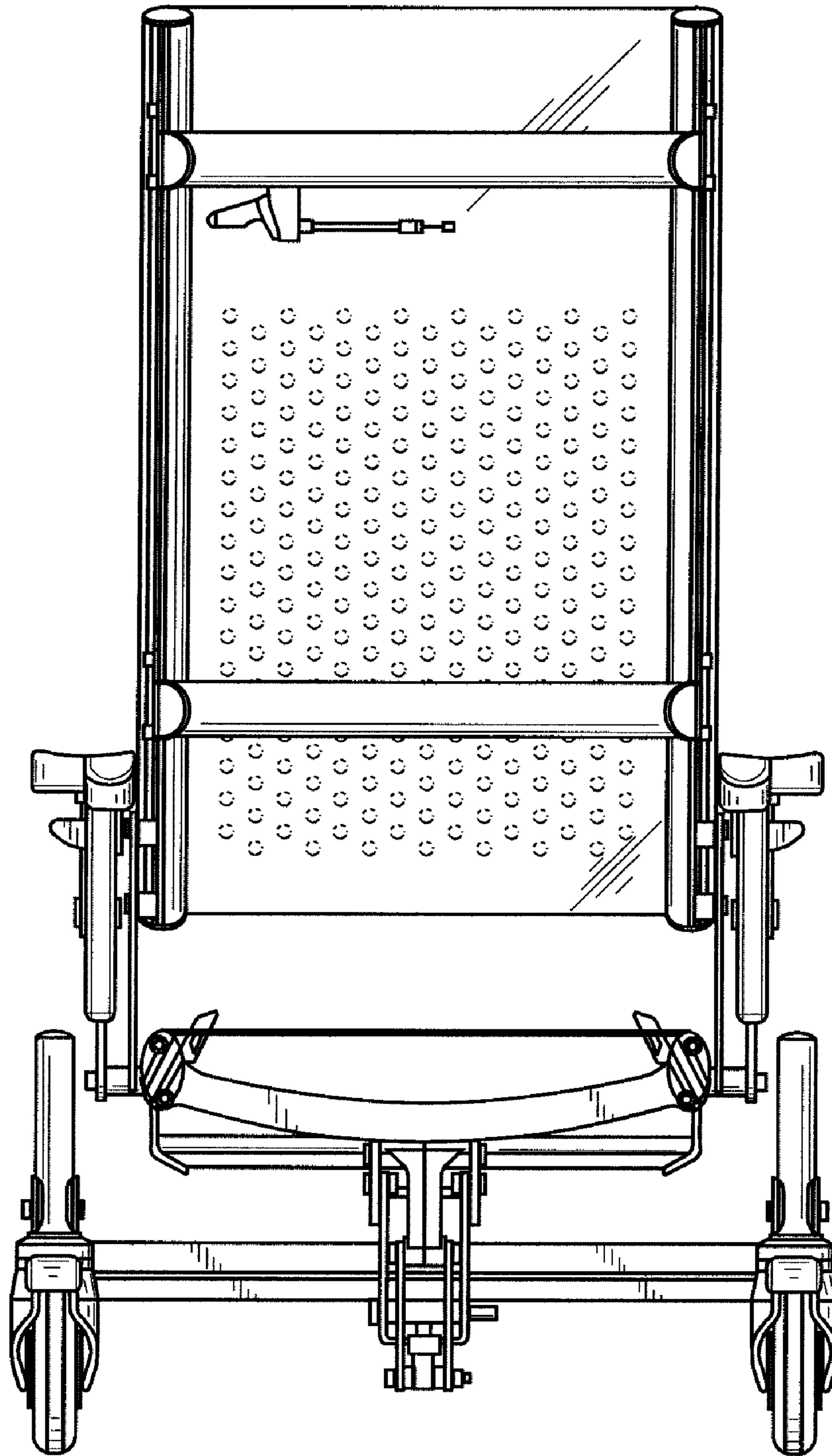
**FIG. 2**



**FIG. 3**

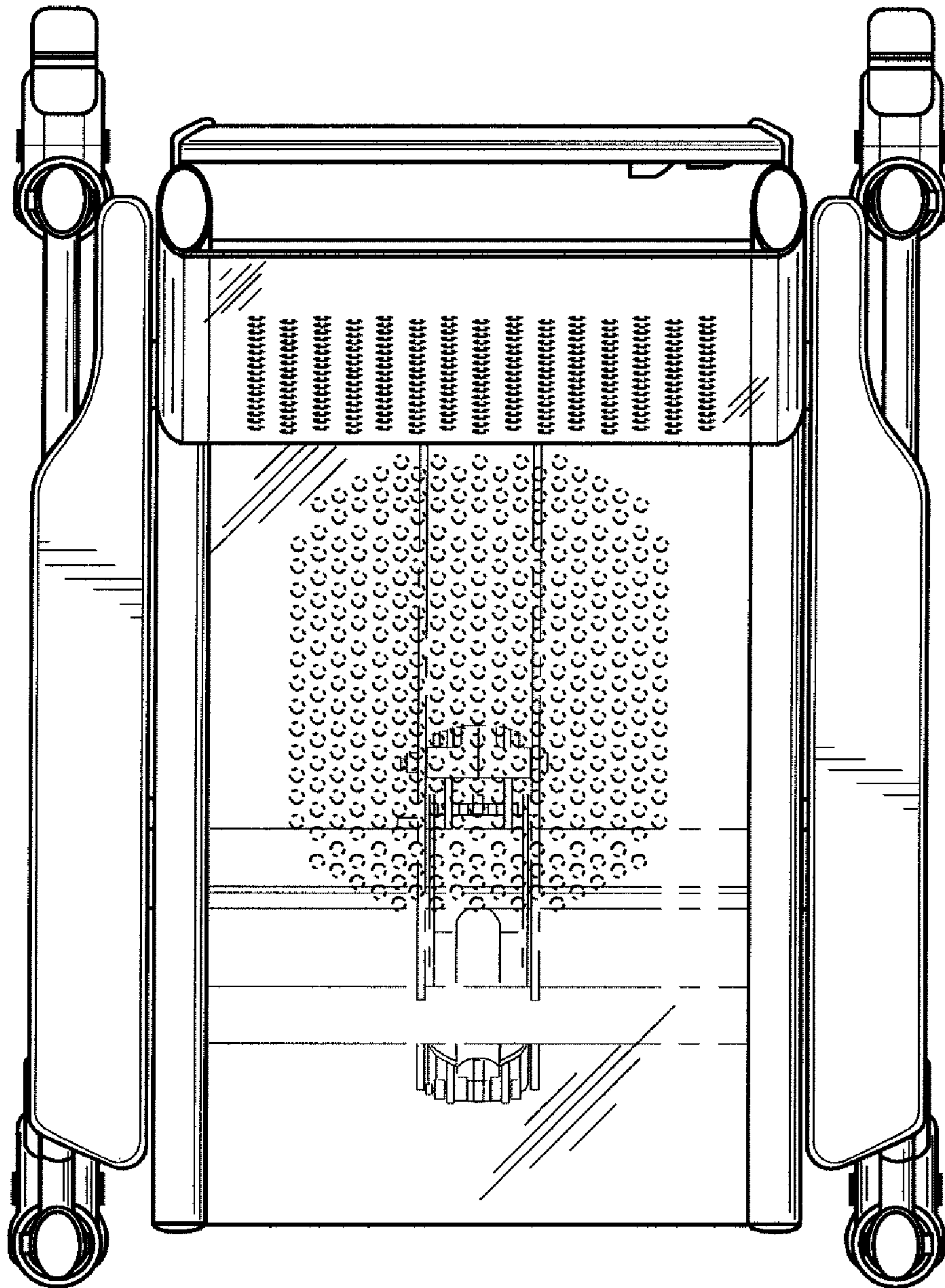


**FIG. 4**



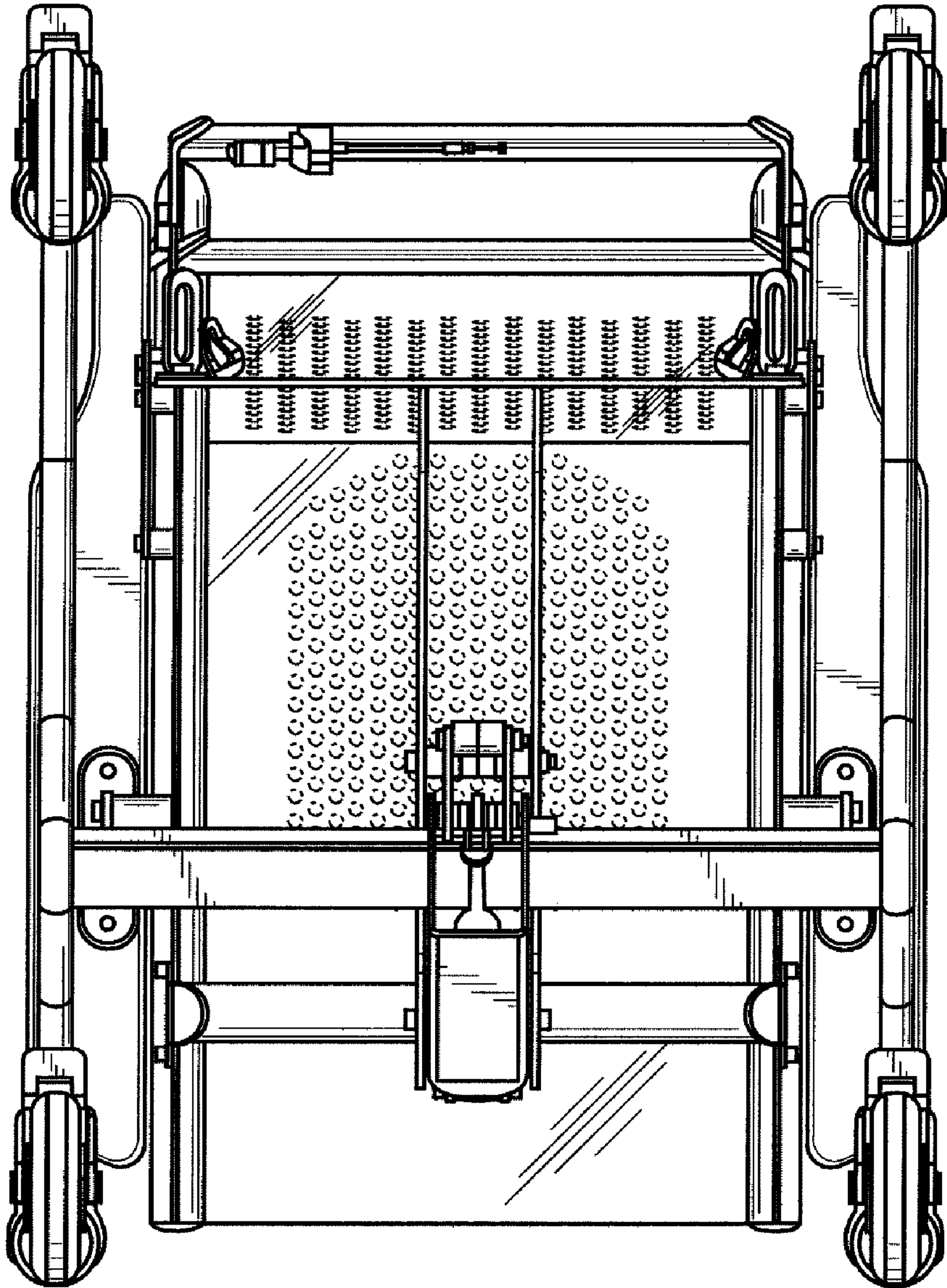
**FIG. 5**





**FIG. 6**





**FIG. 7**