



US00D653590S

(12) **United States Design Patent**
Patterson et al.

(10) **Patent No.:** **US D653,590 S**

(45) **Date of Patent:** **** Feb. 7, 2012**

(54) **MINI-BIKE**

(76) Inventors: **Wayne Patterson**, Oakland, OR (US);
Johnny Liao, Irvine, CA (US)

(**) Term: **14 Years**

(21) Appl. No.: **29/389,391**

(22) Filed: **Apr. 11, 2011**

(51) **LOC (9) Cl.** **12-11**

(52) **U.S. Cl.** **D12/110**

(58) **Field of Classification Search** D12/110,
D12/111; 280/274-280, 281.1, 283-288,
280/288.1-288.4; 180/65.1-65.6, 205-207,
180/219, 220, 230, 231, 312

See application file for complete search history.

(56) **References Cited**

U.S. PATENT DOCUMENTS

D207,042 S * 2/1967 Otsuka et al. D12/110
D216,415 S * 12/1969 Proffer D12/110

D223,790 S * 6/1972 Miyachi et al. D12/110
6,464,031 B1 * 10/2002 Cobb 180/230
D591,203 S * 4/2009 Martin D12/110

* cited by examiner

Primary Examiner — Susan M Lee

Assistant Examiner — Linda G. Brooks

(74) *Attorney, Agent, or Firm* — Holland & Hart

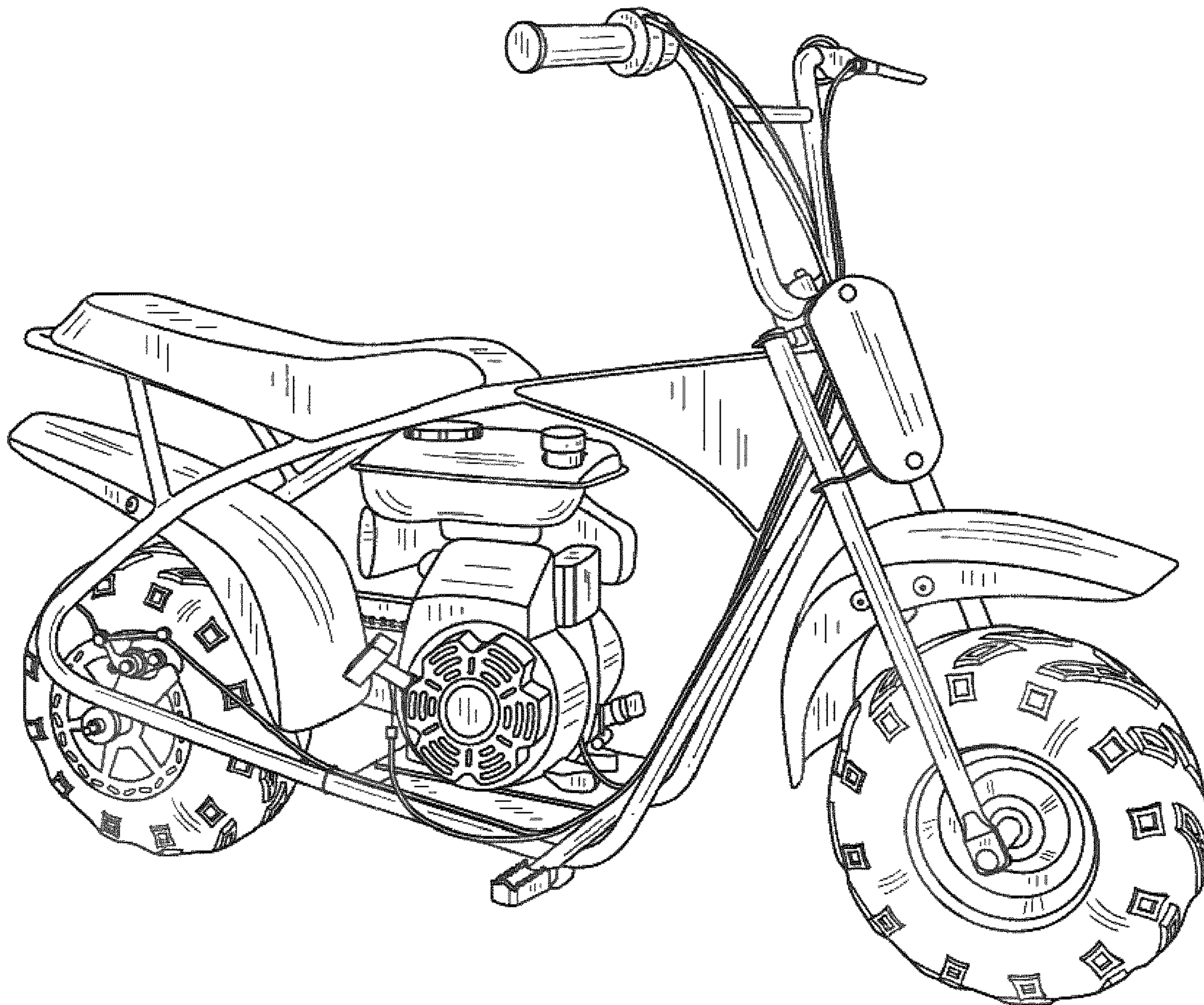
(57) **CLAIM**

The ornamental design for a mini-bike, as shown and described.

DESCRIPTION

FIG. 1 is a front perspective view of the mini-bike;
FIG. 2 is a front view of the mini-bike;
FIG. 3 is a back view of the mini-bike;
FIG. 4 is a right side view of the mini-bike;
FIG. 5 is a left side view of the mini-bike;
FIG. 6 is a top view of the mini-bike; and,
FIG. 7 is a bottom view of the mini-bike.

1 Claim, 7 Drawing Sheets



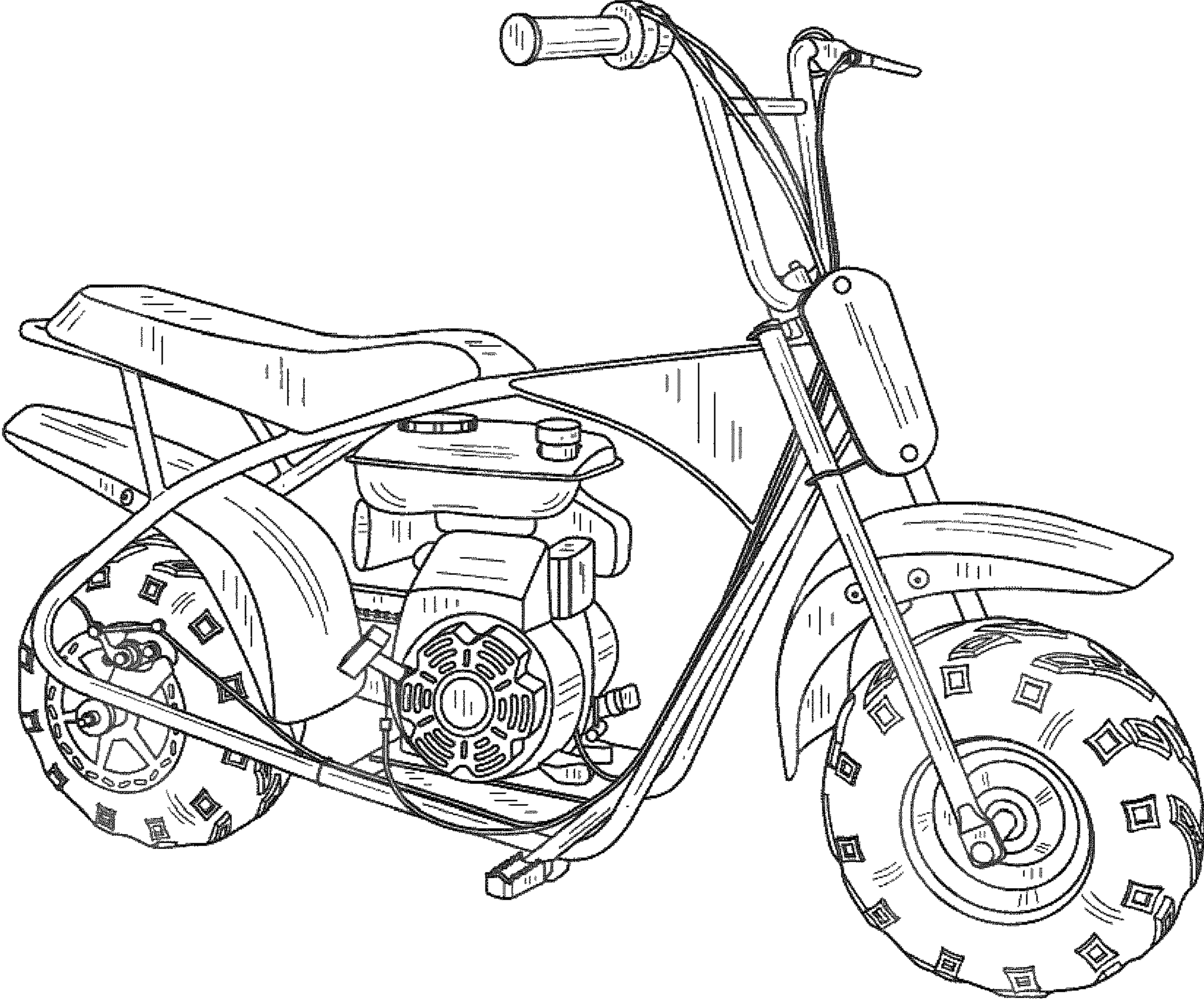


FIG.1

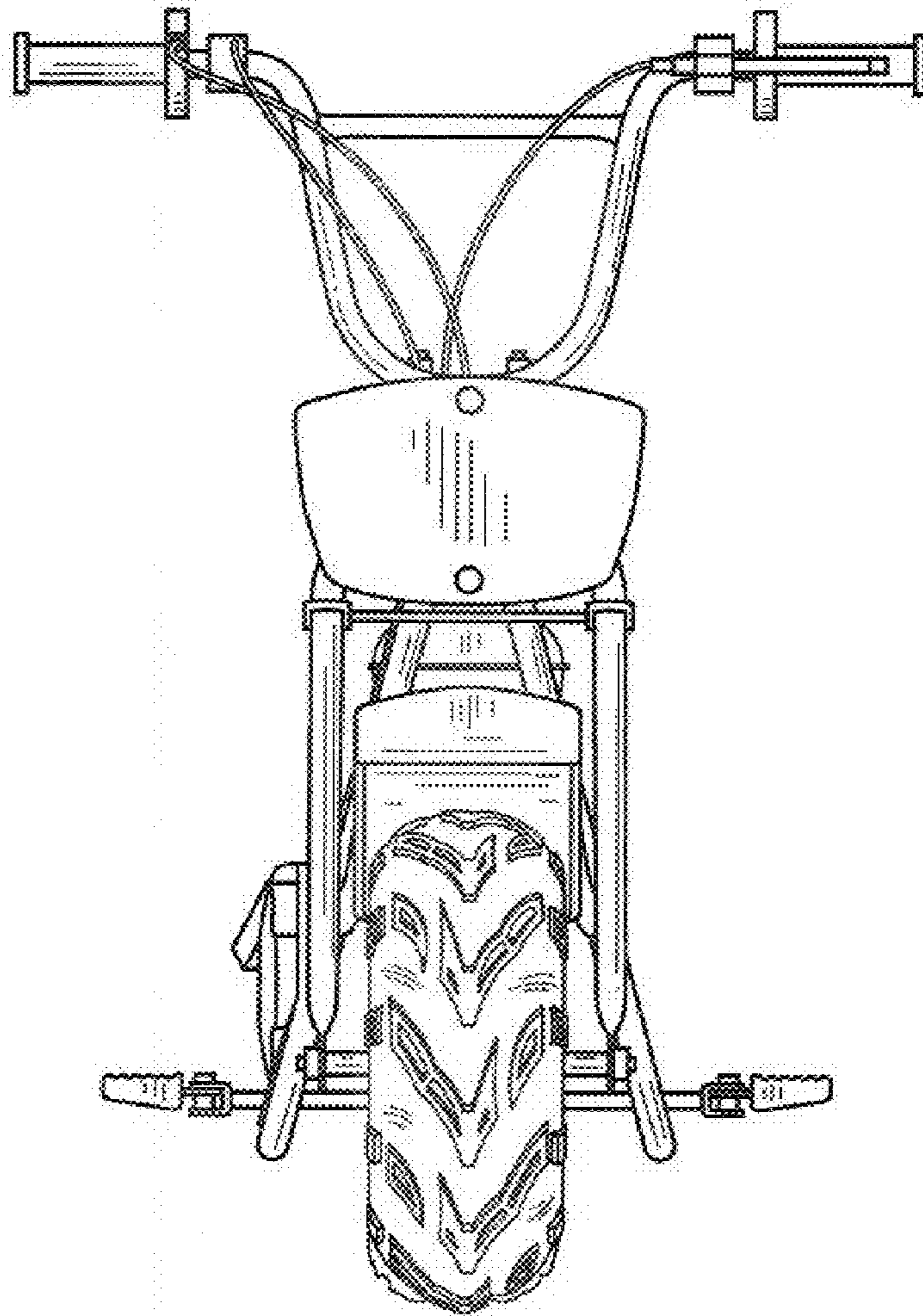


FIG.2

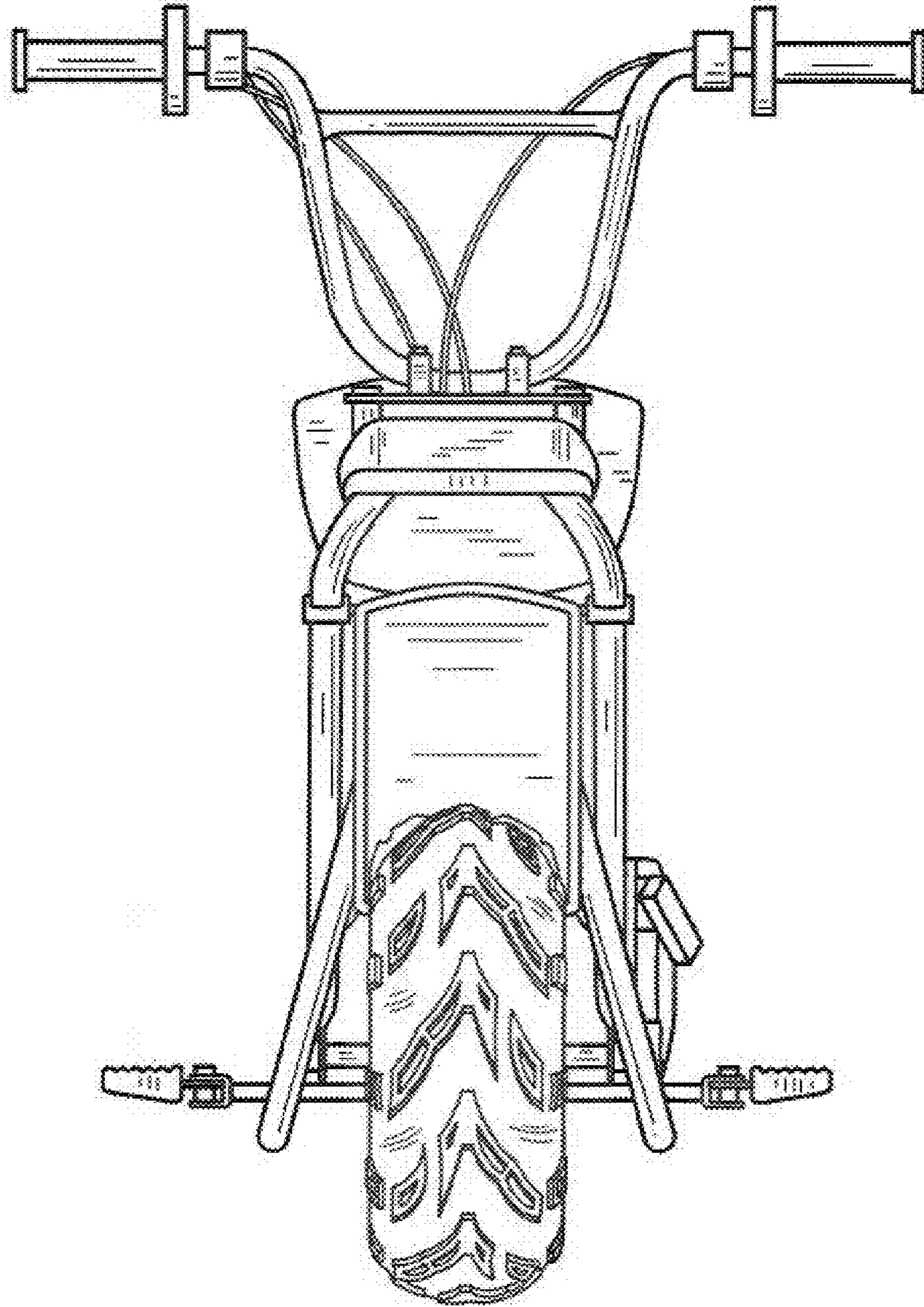


FIG. 3

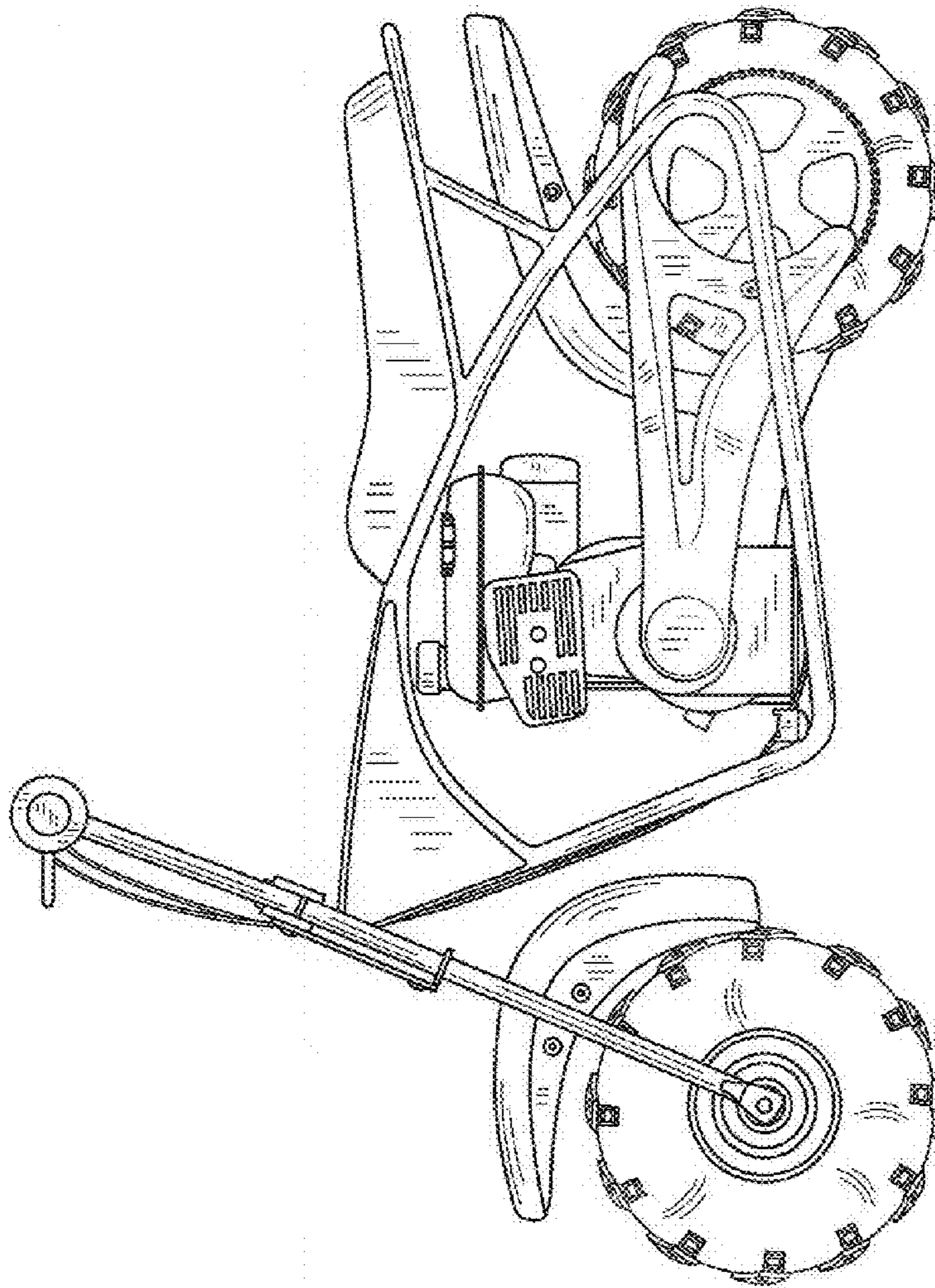


FIG.4

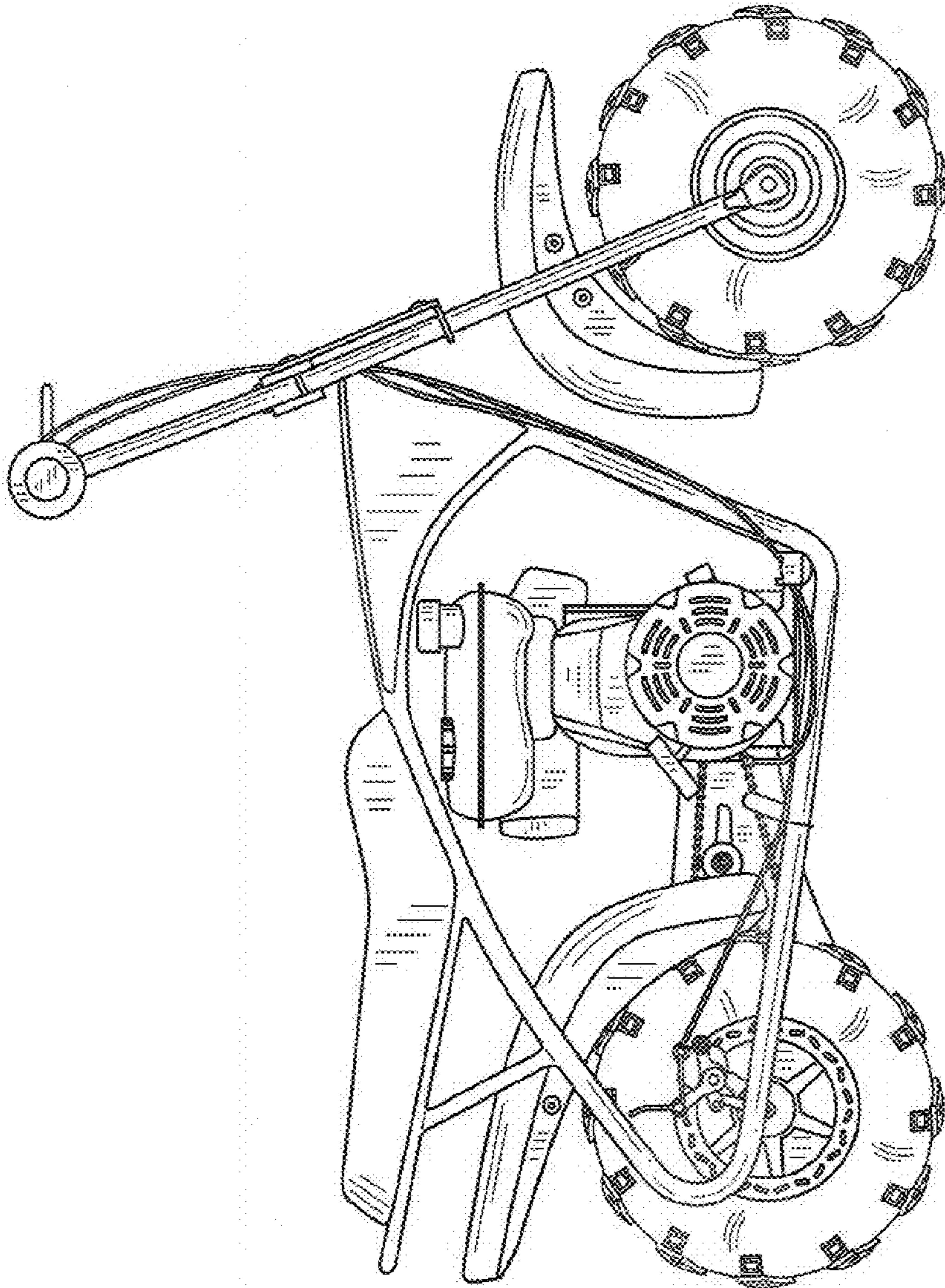


FIG.5

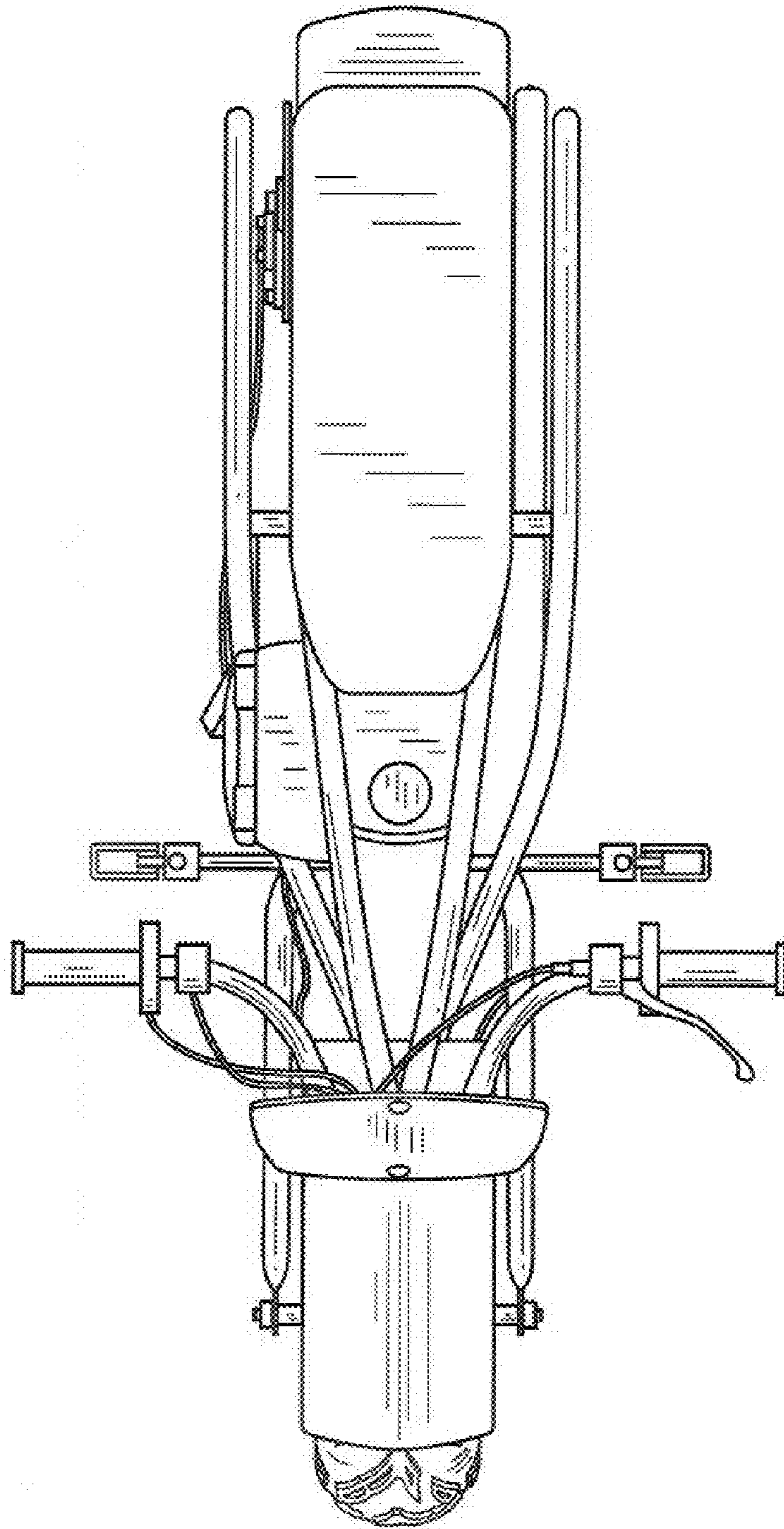


FIG. 6

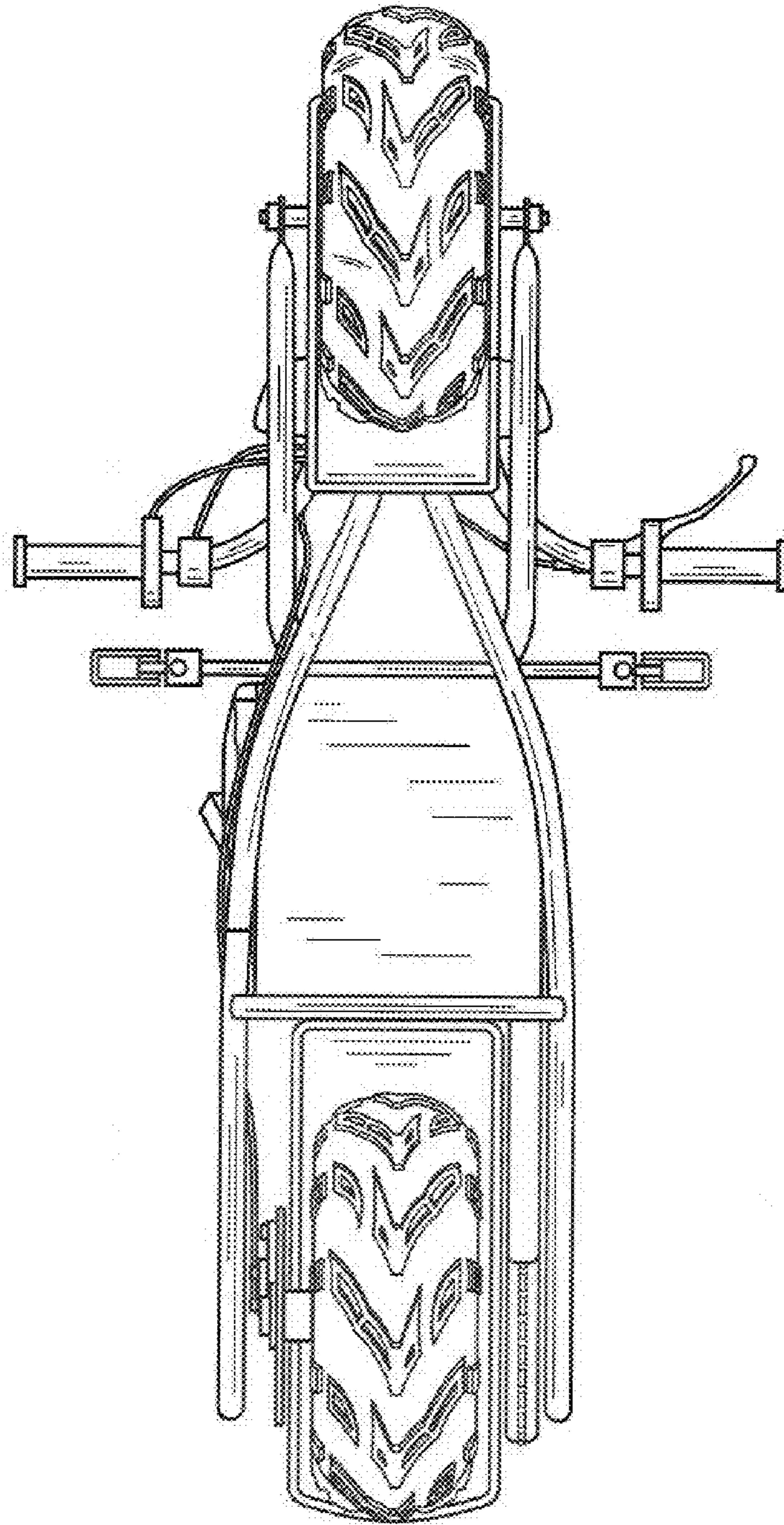


FIG. 7