



US00D653588S

(12) **United States Design Patent**  
**Heard**

(10) **Patent No.:** **US D653,588 S**

(45) **Date of Patent:** **\*\* \*Feb. 7, 2012**

(54) **TRAILER BODY**

(76) Inventor: **Edwin Lamar Heard**, Morrison, TN  
(US)

(\*) Notice: This patent is subject to a terminal disclaimer.

(\*\*) Term: **14 Years**

(21) Appl. No.: **29/348,405**

(22) Filed: **Dec. 31, 2009**

(51) **LOC (9) Cl.** ..... **12-10**

(52) **U.S. Cl.** ..... **D12/102**

(58) **Field of Classification Search** ..... D12/101-106,  
D12/19, 129; D21/425, 435; D34/21-26,  
D34/12, 16; 280/204, 205, 63, 475, 482,  
280/647;  
296/168, 180, 180.2, 10, 61, 100.01-100.08  
See application file for complete search history.

(56) **References Cited**

U.S. PATENT DOCUMENTS

D274,896 S *	7/1984	Wilson	.....	D12/102
D367,248 S *	2/1996	Christensen	.....	D12/102
D379,604 S *	6/1997	DeShong et al.	.....	D12/102
D389,785 S	1/1998	Guzak		
D391,526 S *	3/1998	Kass et al.	.....	D12/102
D394,619 S *	5/1998	DeShong et al.	.....	D12/102
D400,486 S *	11/1998	Zentner	.....	D12/203
D486,090 S *	2/2004	Thomson	.....	D10/123

D507,208 S *	7/2005	Ulch	.....	D12/102
D542,183 S *	5/2007	Van Buuren	.....	D12/102
D544,407 S	6/2007	Heard		
D546,245 S	7/2007	Heard		
D603,299 S *	11/2009	Prusmack	.....	D12/102
D610,489 S *	2/2010	Rodabaugh	.....	D12/102
D625,666 S *	10/2010	Treleaven	.....	D12/102

\* cited by examiner

*Primary Examiner* — Caron D Veynar  
*Assistant Examiner* — Katrina A Betton

(57) **CLAIM**

The ornamental design for a “trailer body,” as shown and described.

**DESCRIPTION**

The petitioner was issued design patent D544,407 S on Jun. 12, 2007 and design patent D546,245 S on Jul. 10, 2007 for two related trailer bodies.

FIG. 1 is a perspective view of a trailer body showing my new design

FIG. 2 is a front elevation view thereof;

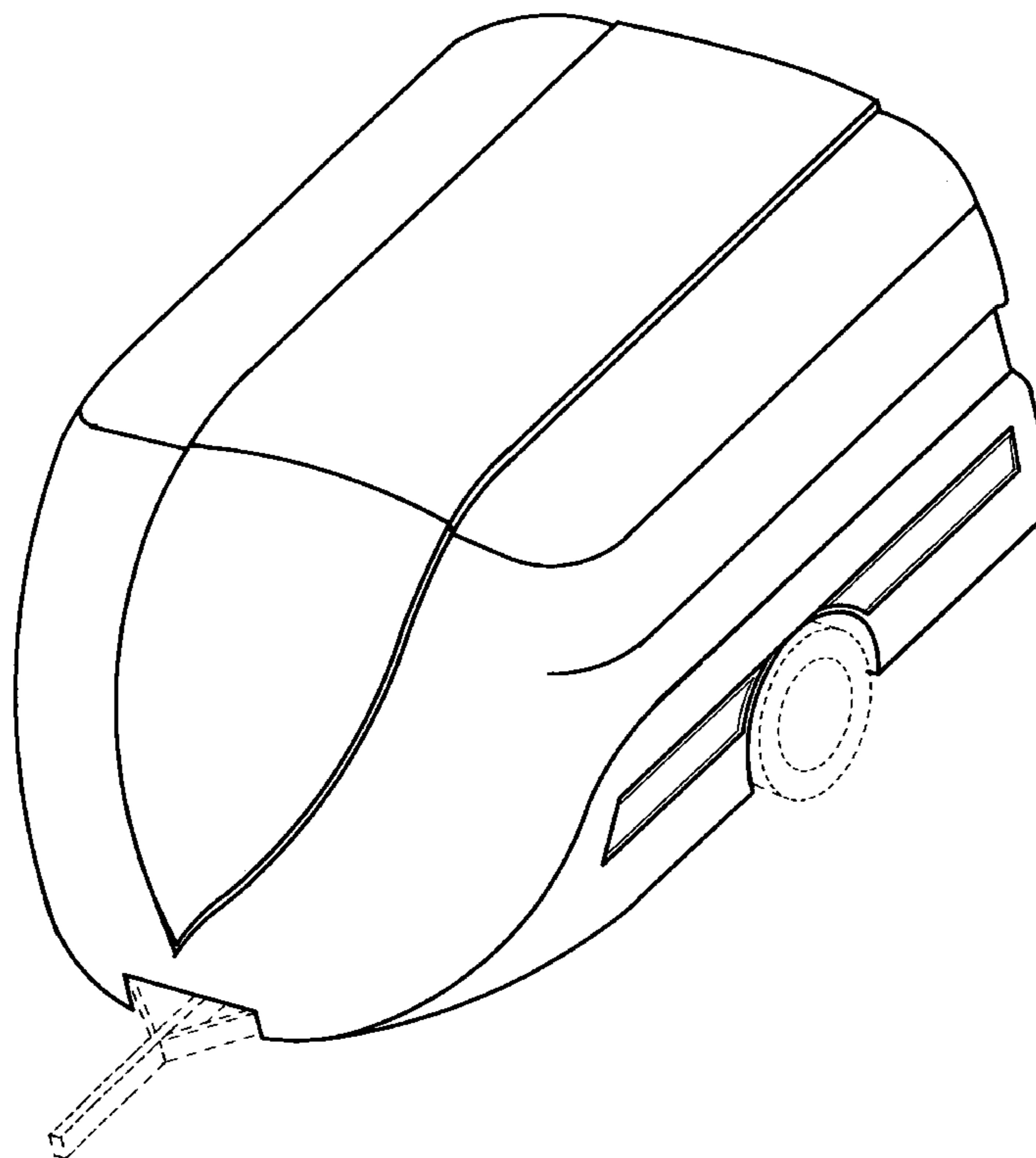
FIG. 3 is a rear elevation view hereof; and,

FIG. 4 is a top plan view thereof.

In the drawings, the broken lines in depict portions of the design that form no part of the claim.

My trailer body is characterized by a rounded lower frontal area which slopes backward and upward, a side-to-side arched top, a modified hour glass front and rear profile, fenders which flare outward and upward from the front of the trailer and extend to its rear, and a full width tail gate.

**1 Claim, 4 Drawing Sheets**



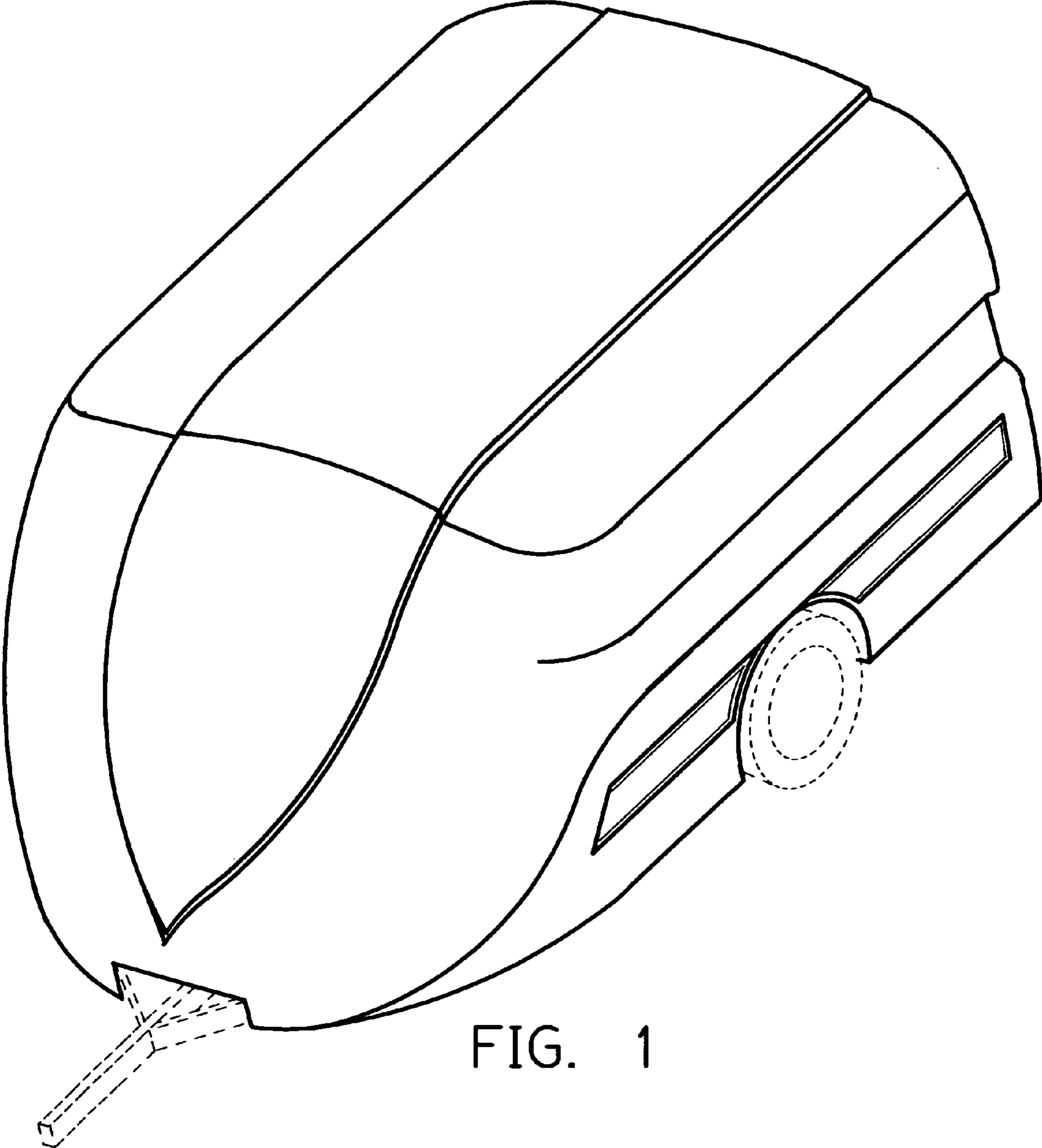


FIG. 1

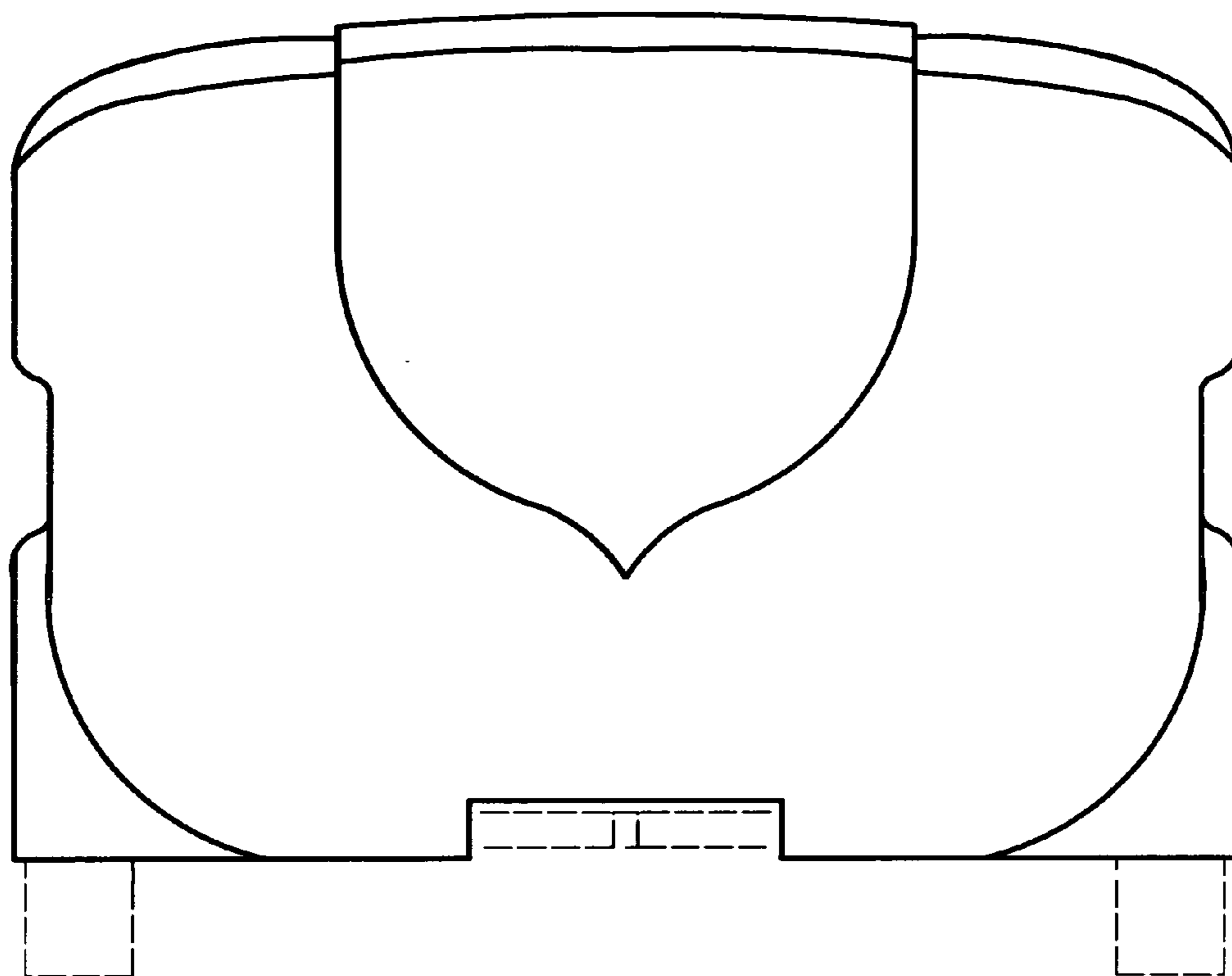


FIG. 2

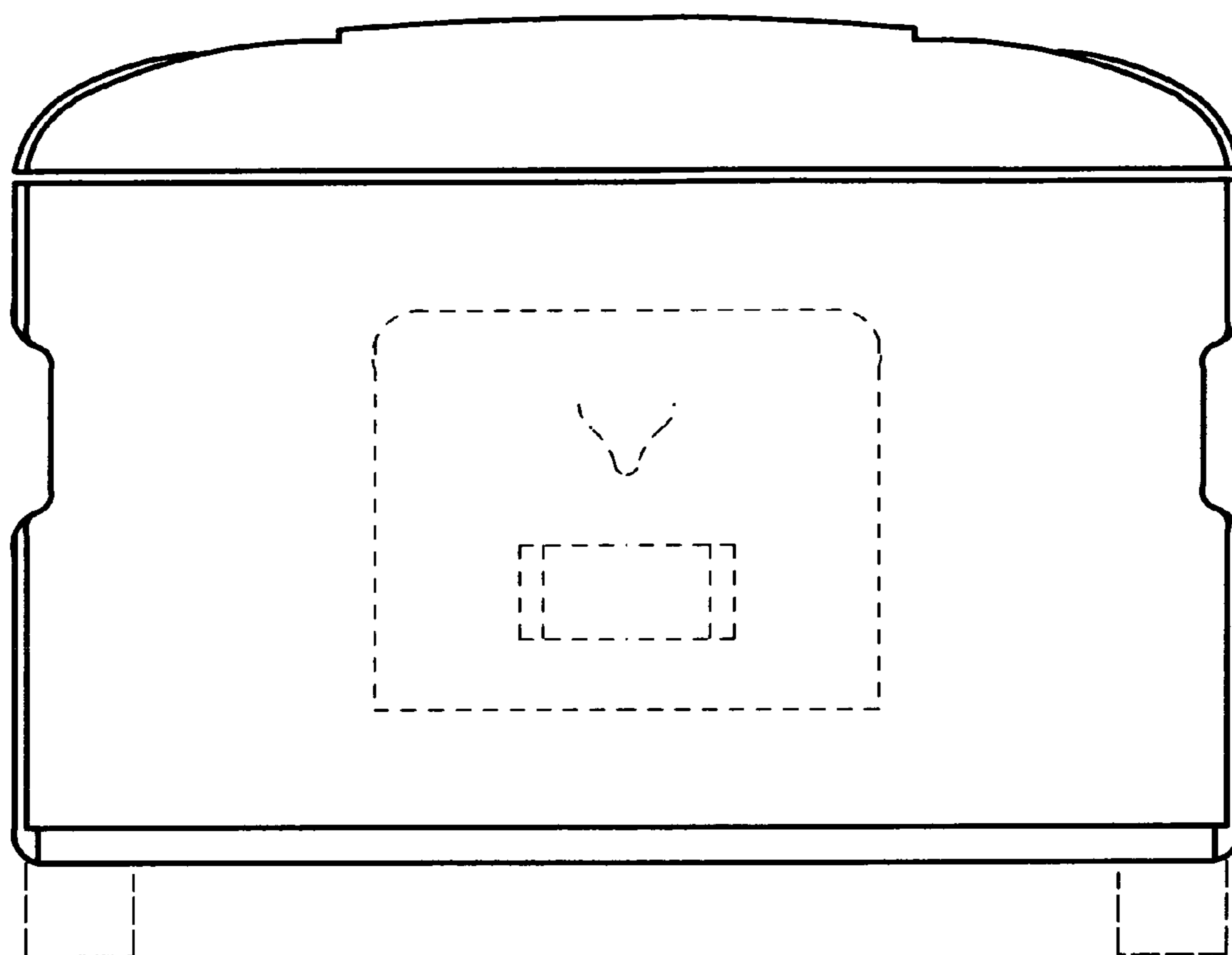


FIG. 3

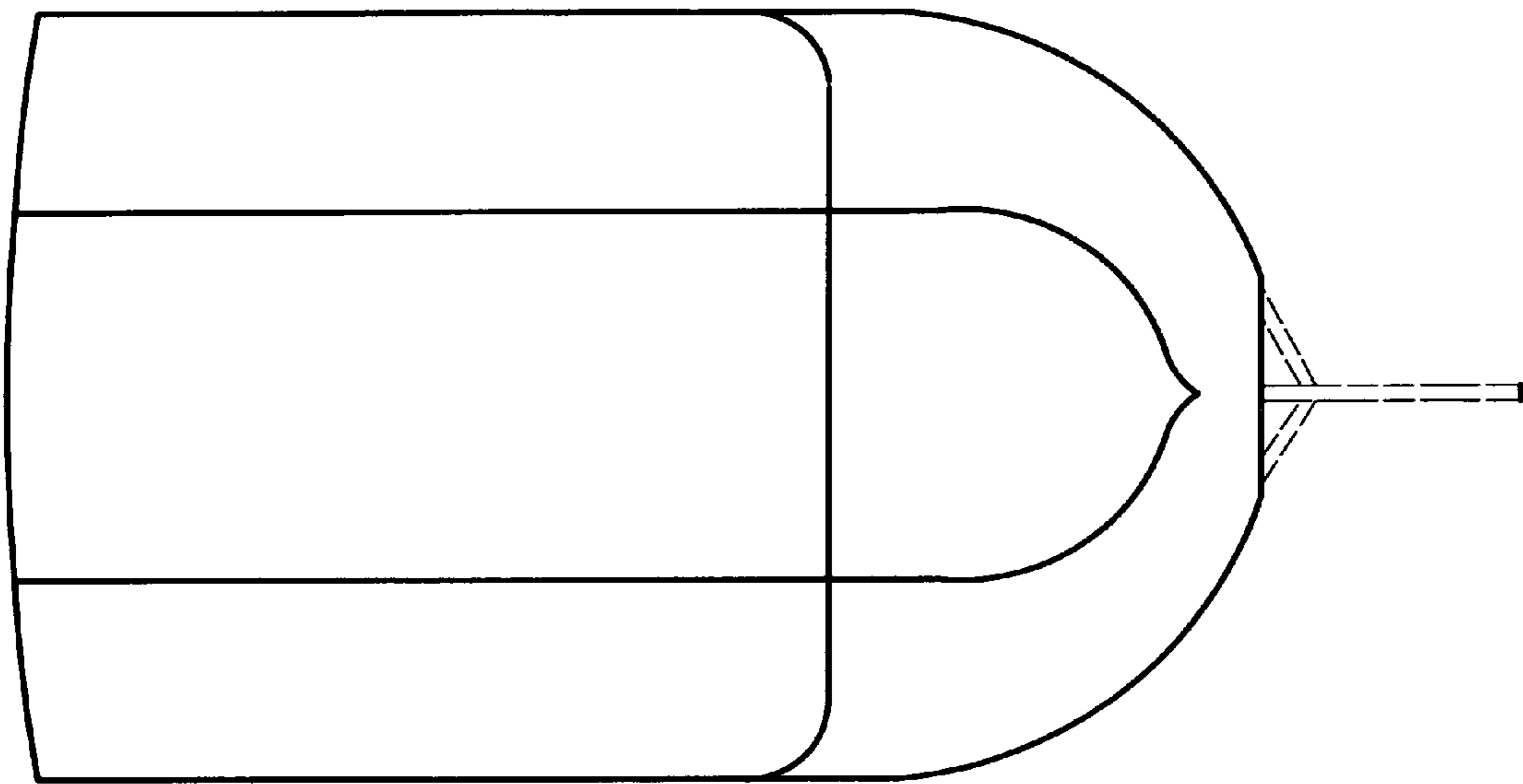


FIG. 4