



US00D653587S

(12) **United States Design Patent**  
**Haut et al.**

(10) **Patent No.:** **US D653,587 S**

(45) **Date of Patent:** **\*\* Feb. 7, 2012**

- (54) **INTERMODAL TANK CONTAINER**
- (75) Inventors: **Kenneth Haut**, Aventura, FL (US); **Rex Michau**, West Sussex (GB)
- (73) Assignee: **International Transport Equipment Corporation**, Aventura, FL (US)

7,644,954	B2 *	1/2010	Bachman et al.	.....	280/839
7,815,223	B2 *	10/2010	Bachman	.....	280/839
8,016,321	B2 *	9/2011	Shimomura	.....	280/833
2006/0239804	A1	10/2006	Trescott		
2007/0238166	A1	10/2007	McNelly		
2008/0067855	A1	3/2008	Morten		
2008/0134589	A1	6/2008	Abrams et al.		

- (\*\*) Term: **14 Years**
- (21) Appl. No.: **29/398,980**
- (22) Filed: **Aug. 8, 2011**

**Related U.S. Application Data**

- (62) Division of application No. 12/818,559, filed on Jun. 18, 2010.
  - (51) **LOC (9) Cl.** ..... **12-16**
  - (52) **U.S. Cl.** ..... **D12/95**
  - (58) **Field of Classification Search** ..... D12/95,  
D12/97, 218; 280/831, 833-83, 423.19;  
220/1.5
- See application file for complete search history.

(56) **References Cited**

**U.S. PATENT DOCUMENTS**

D211,163	S *	5/1968	Mendez	.....	D12/95
3,937,337	A	2/1976	Irving		
3,971,491	A	7/1976	Mowatt-Larsen et al.		
D286,030	S *	10/1986	Short	.....	D12/95
5,082,304	A	1/1992	Preller et al.		
D350,839	S *	9/1994	Ledesma	.....	D29/125
5,722,688	A	3/1998	Garcia		
5,782,493	A	7/1998	Bolton et al.		
5,911,337	A	6/1999	Bedeker		
6,012,598	A	1/2000	Antoniou		
D473,494	S *	4/2003	Lieberman	.....	D12/95
7,475,910	B1 *	1/2009	Calonge et al.	.....	280/839

**OTHER PUBLICATIONS**

International Search Report dated Aug. 30, 2010, 14 pages of Applicants' corresponding PCT application.  
 Photos of Schneider tanker truck, Jun. 2009.  
 Greenbrier Companies, Technical Bulletin Stack Car, All-Purpose 53' Double Stack Car, Jun. 2009.  
 Greenbrier Companies, Technical Bulletin Stack Car, Husky Stack 53' Container Car, Jun. 2009.  
 Union Pacific Bulktainer, the New American Tank Truck brochure, Jun. 2009.

\* cited by examiner

*Primary Examiner* — Melody N Brown

(74) *Attorney, Agent, or Firm* — Seyfarth Shaw LLP

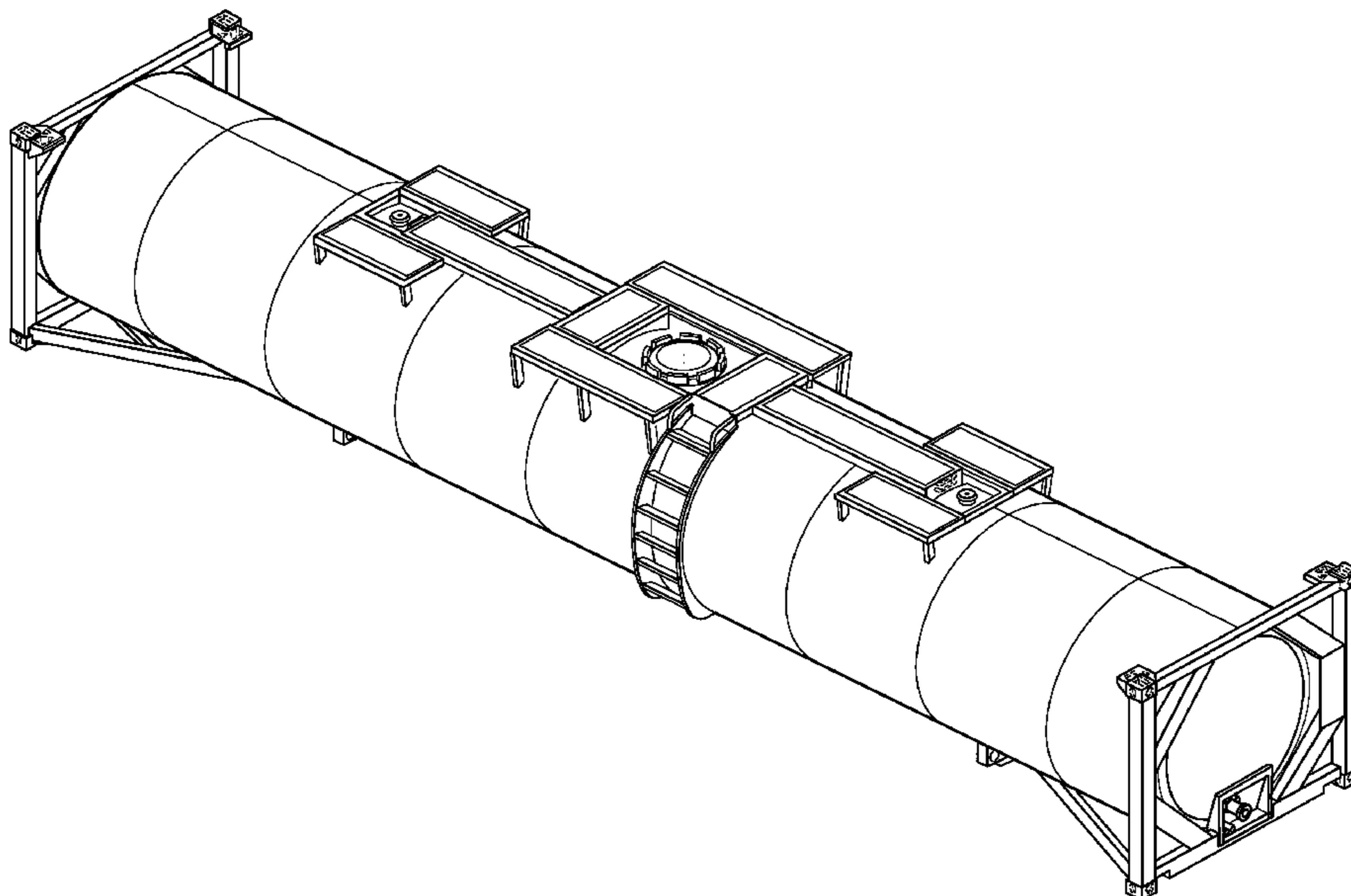
(57) **CLAIM**

The ornamental design for an intermodal tank container, as shown and described.

**DESCRIPTION**

FIG. 1 is a perspective view of an intermodal tank container; FIG. 2 is a top view thereof; FIG. 3 is a bottom view thereof; FIG. 4 is a front view thereof; FIG. 5 is a left view thereof; and, FIG. 6 is a right view thereof.  
 The rear view is omitted and forms no part of the ornamental design.

**1 Claim, 3 Drawing Sheets**



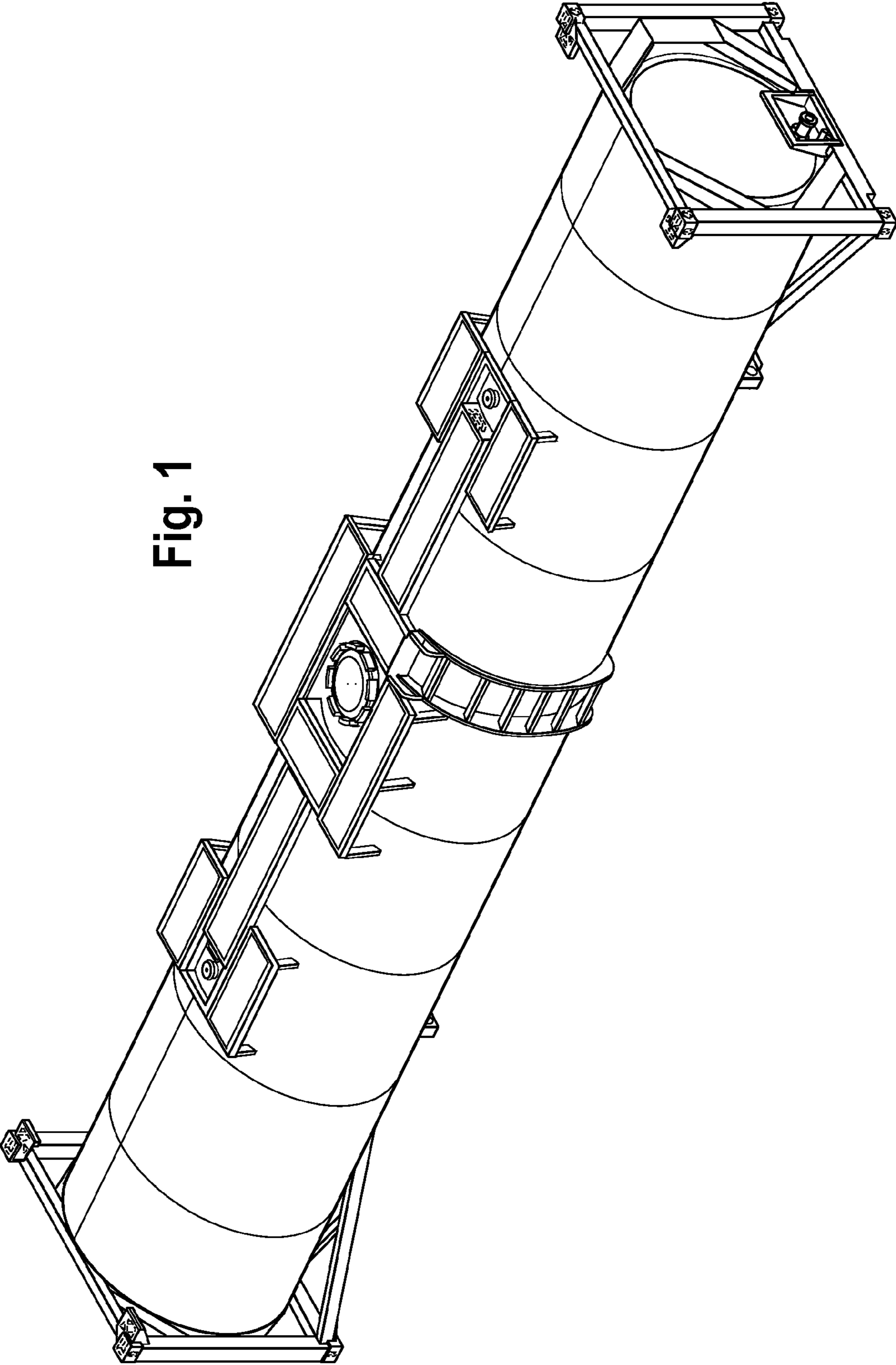


Fig. 1

Fig. 2

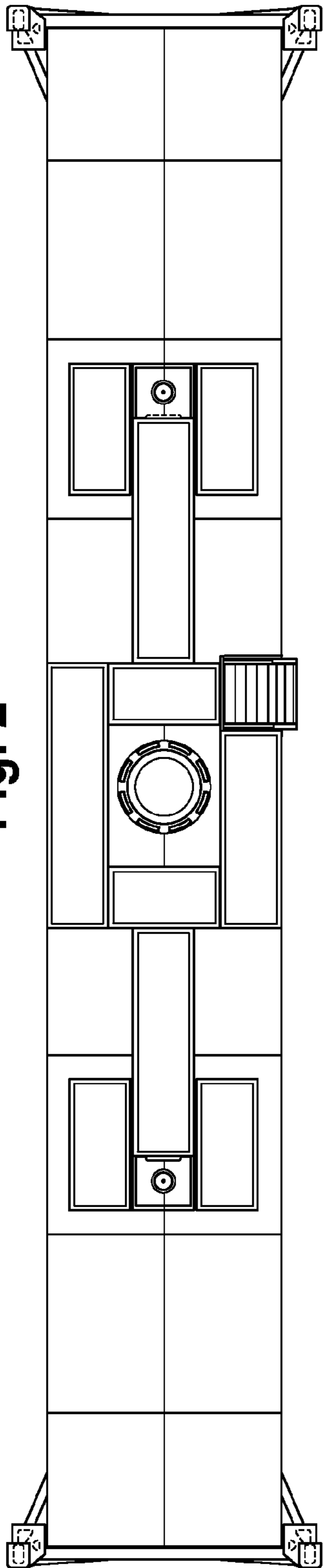


Fig. 3

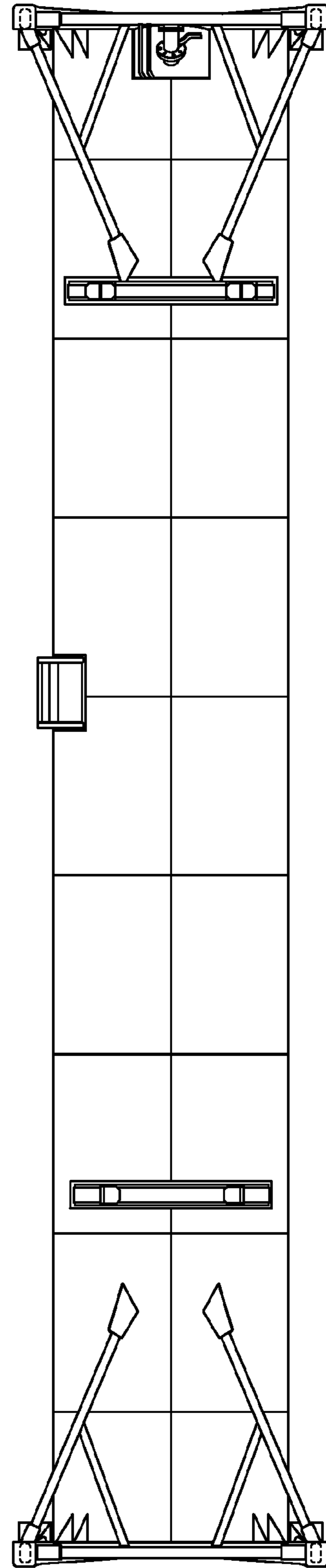


Fig. 4

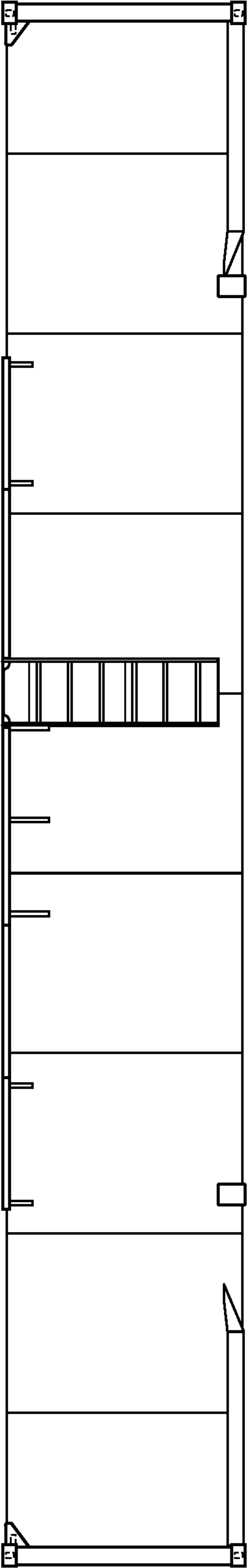


Fig. 5

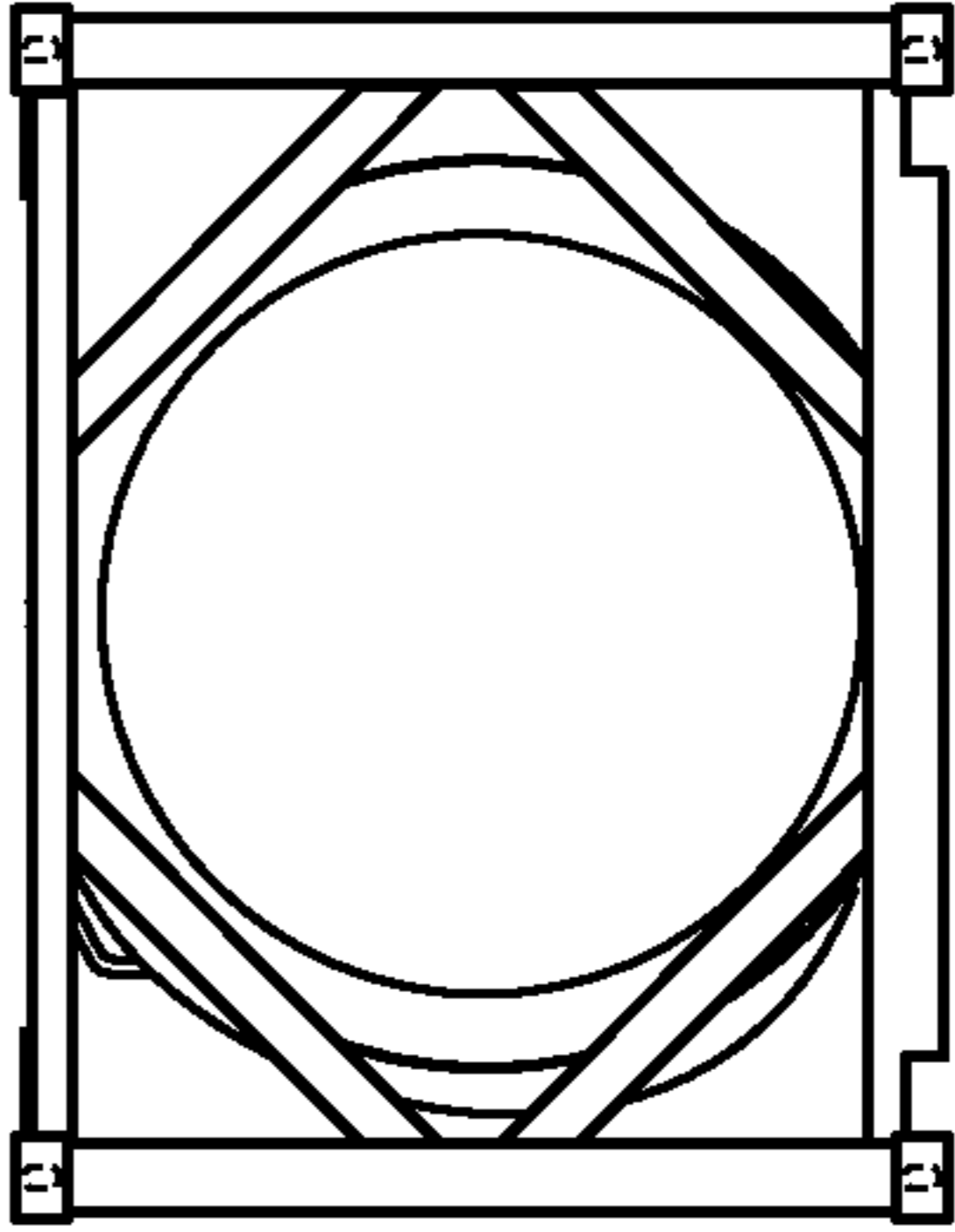


Fig. 6

