



US00D653583S

(12) **United States Design Patent**  
**Wittenberg et al.**

(10) **Patent No.:** **US D653,583 S**  
(45) **Date of Patent:** **\*\* Feb. 7, 2012**

- (54) **HANGING PLANTER**
- (75) Inventors: **Katherine R. Wittenberg**, St. Paul, MN (US); **Kim Lipfert**, Minneapolis, MN (US); **Elizabeth H. Apple**, Minneapolis, MN (US)
- (73) Assignee: **Target Brands, Inc.**, Minneapolis, MN (US)

3,364,884 A	1/1968	Hamilton et al.
3,408,965 A	11/1968	Hamilton et al.
D224,636 S	8/1972	Ball
D242,007 S	10/1976	Bedol
D278,864 S	5/1985	Borichevsky
4,583,323 A *	4/1986	Graves et al. .... 47/67
D303,877 S	10/1989	Norton
D317,839 S	7/1991	Pino
D322,047 S	12/1991	Wolfenden
D331,727 S	12/1992	Grosfillex

(Continued)

(\*\*) Term: **14 Years**

(21) Appl. No.: **29/399,256**

(22) Filed: **Aug. 11, 2011**

(51) **LOC (9) Cl.** ..... **11-02**

(52) **U.S. Cl.** ..... **D11/148**

(58) **Field of Classification Search** ..... D6/403-405, D6/556-558; D8/1; D11/143-156, 164; D19/77, 80, 81, 84; D25/100; D26/9-11, D26/16, 19; D34/1, 2, 4-6; D99/5, 19; 47/17, 47/32.4, 32.5, 32.7, 33.39, 41.01, 41.1, 41.11-41.15, 47/44-47, 63, 65.5, 65.9, 66.1, 66.2, 66.6, 47/66.7, 67-71

See application file for complete search history.

(56) **References Cited**

**U.S. PATENT DOCUMENTS**

1,639,318 A	8/1927	Viewegh
1,731,139 A	10/1929	Kift
D86,020 S	1/1932	Gibson
D153,909 S	5/1949	Wais
D158,893 S	6/1950	O'Brien
D169,833 S	6/1953	Young et al.
2,657,965 A *	11/1953	Bargen ..... 108/161
D176,161 S	11/1955	Shelby
D176,183 S	11/1955	Goldman et al.
2,842,412 A	7/1958	Mackintosh
2,871,073 A	1/1959	Swanson
2,940,599 A	6/1960	Gentner
3,123,022 A	3/1964	Huddleston
3,289,614 A	12/1966	Frazier
3,326,148 A	6/1967	Jakobsen

**OTHER PUBLICATIONS**

GI Designs : Set of Three Bronzed Iron Plant Stands, <http://www.gidesigns.net/garden-decor/customer/product.php?productid=1206>, available at least as early as Apr. 12, 2011, 3 pages.

*Primary Examiner* — Garth Rademaker

(74) *Attorney, Agent, or Firm* — Griffiths & Seaton PLLC

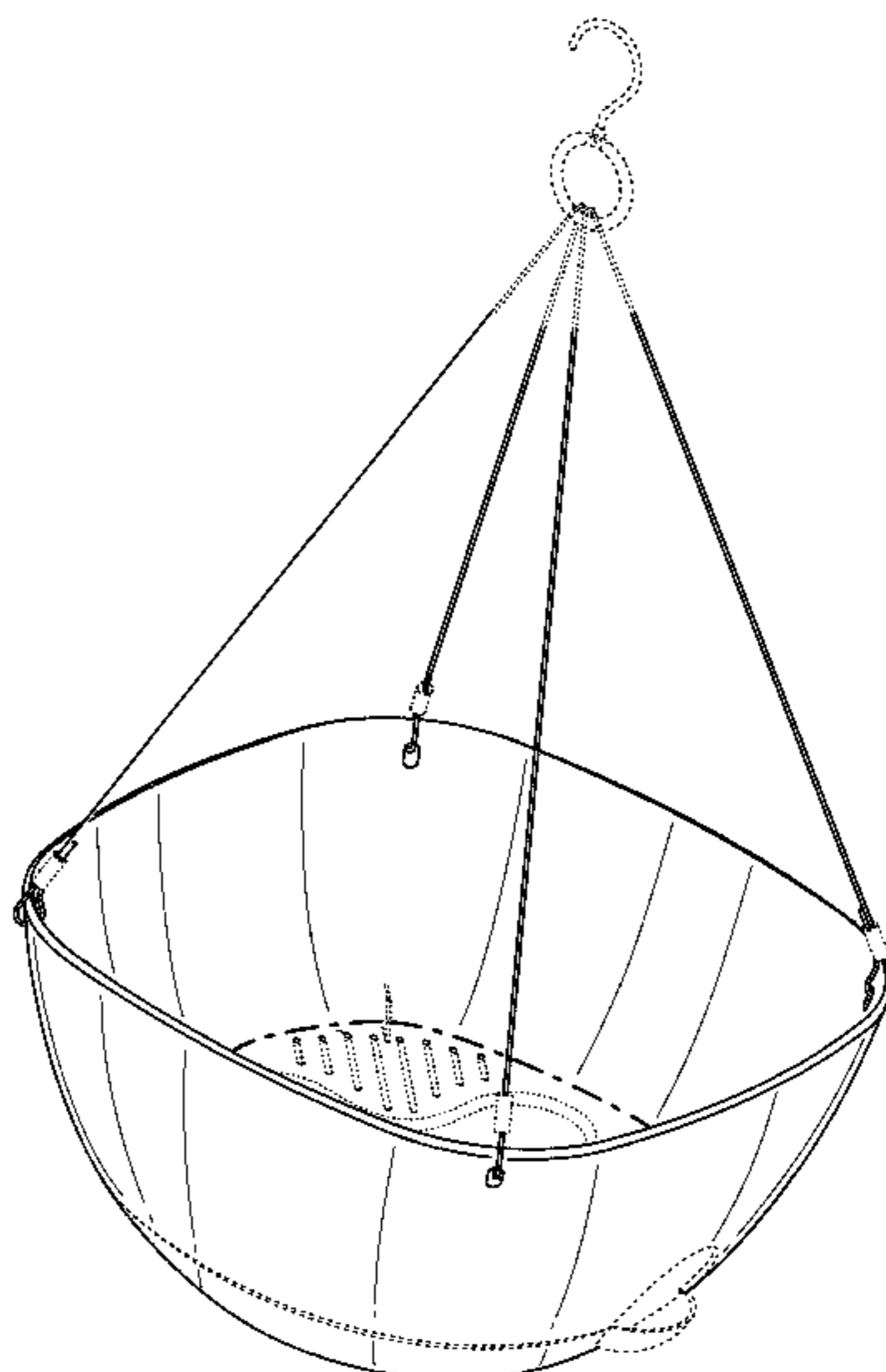
(57) **CLAIM**

The ornamental design for a hanging planter, as shown and described.

**DESCRIPTION**

FIG. 1 is a top, front perspective view of a hanging planter showing our new design; FIG. 2 is a rear, bottom perspective view thereof; FIG. 3 is a front view thereof, the rear view being a mirror image of the front view; FIG. 4 is a left side view thereof; FIG. 5 is a right side view thereof; FIG. 6 is a top view thereof; and, FIG. 7 is a bottom view thereof. The bolded long-dash short-dash line in FIGS. 1 and 6 is a boundary line indicating the bounds of the claimed subject matter but otherwise forms no part of the claimed design. All the other features shown in broken lines depict environmental subject matter only and form no part of the claimed design.

**1 Claim, 7 Drawing Sheets**



# US D653,583 S

Page 2

## U.S. PATENT DOCUMENTS

D346,135 S *	4/1994	Carlson .....	D11/153	D438,025 S	2/2001	Lopez	
5,333,409 A *	8/1994	Mendes .....	47/67	D445,358 S	7/2001	Simmons	
D352,479 S *	11/1994	Carlson .....	D11/153	D461,330 S	8/2002	Wang	
D354,859 S	1/1995	Hsu		6,435,305 B1	8/2002	Ward	
D355,546 S	2/1995	Hewitt		D478,530 S	8/2003	Sachuk	
D356,754 S	3/1995	Schmidt et al.		D513,206 S *	12/2005	Talmdage .....	D11/153
D357,361 S	4/1995	Karten et al.		D551,876 S	10/2007	Gusdorf et al.	
D363,824 S	11/1995	Lyons		D556,466 S	12/2007	Foster	
D382,511 S	8/1997	Azarian		D564,939 S	3/2008	Fan	
D382,512 S *	8/1997	Hulsebus .....	D11/152	D566,615 S *	4/2008	Vogt .....	D11/148
D383,417 S	9/1997	Davis		D572,946 S	7/2008	Bollen	
D384,907 S *	10/1997	Moskowitz .....	D11/152	D578,927 S	10/2008	Brandstatter	
D408,323 S *	4/1999	Yurk .....	D11/152	7,849,804 B2	12/2010	Shields	
D436,763 S	1/2001	Balolia		D642,957 S *	8/2011	Eckert .....	D11/153
D436,887 S *	1/2001	Fan .....	D11/152				

\* cited by examiner

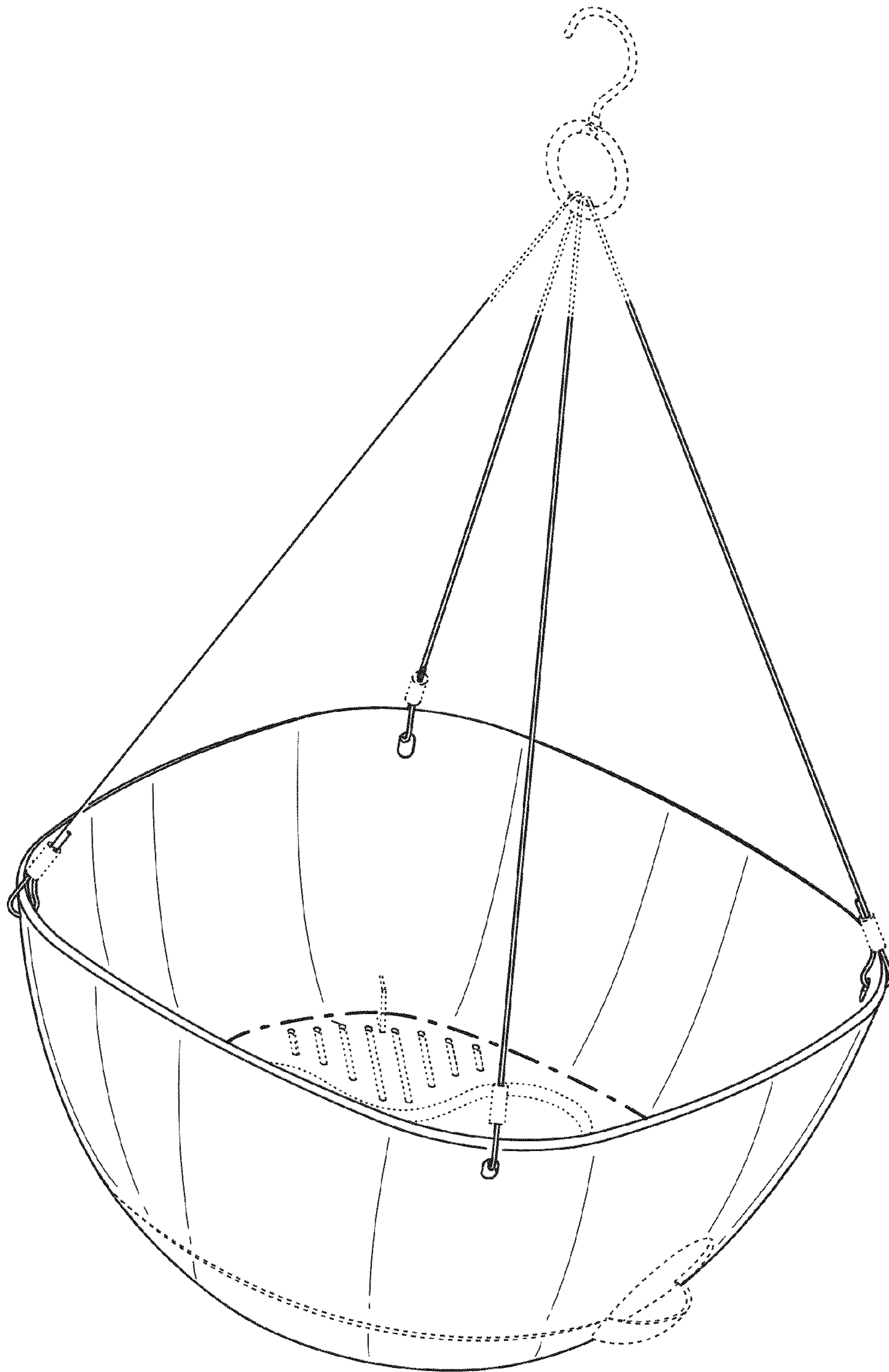


FIG. 1

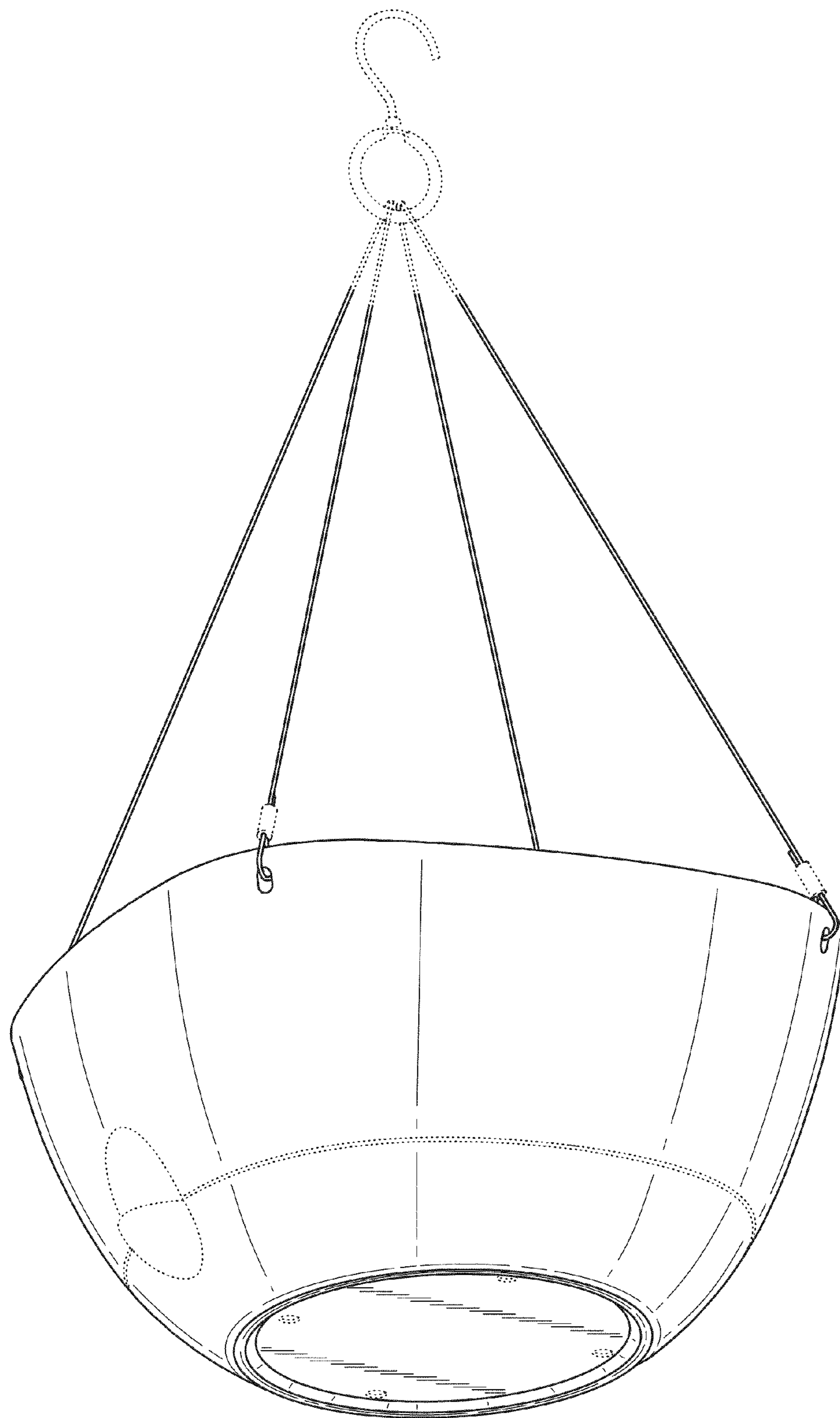


FIG. 2

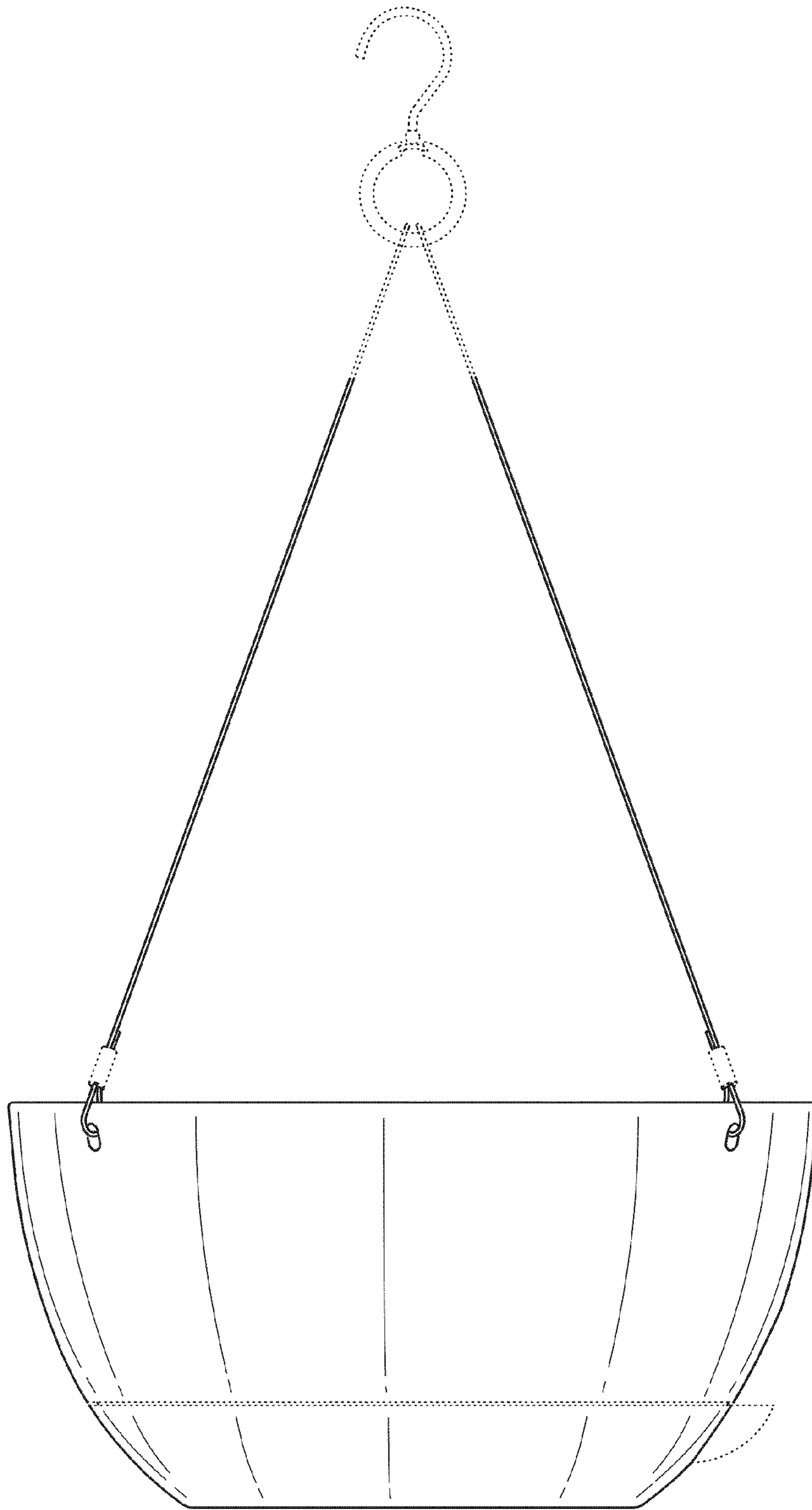


FIG. 3

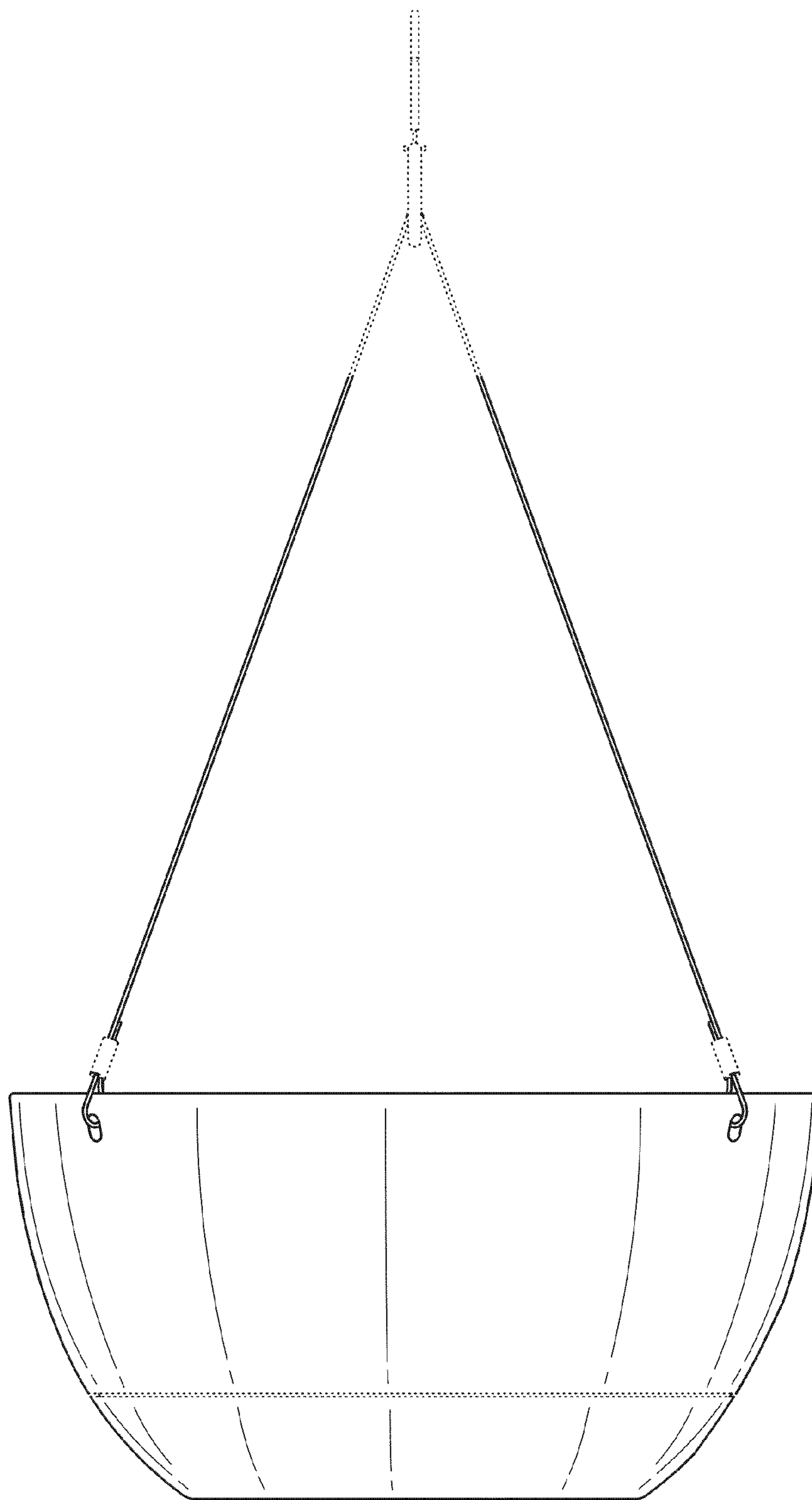


FIG. 4

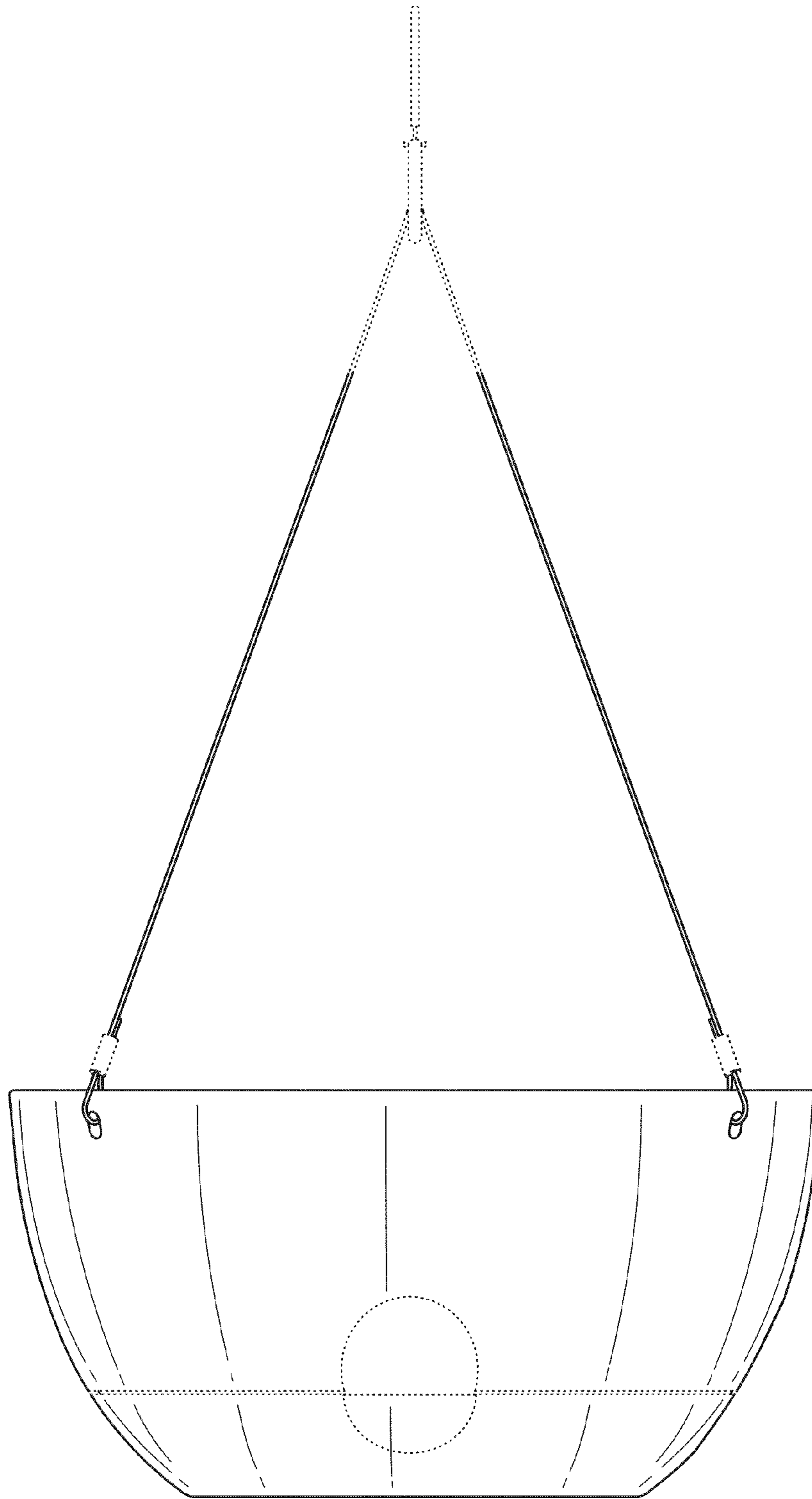


FIG. 5

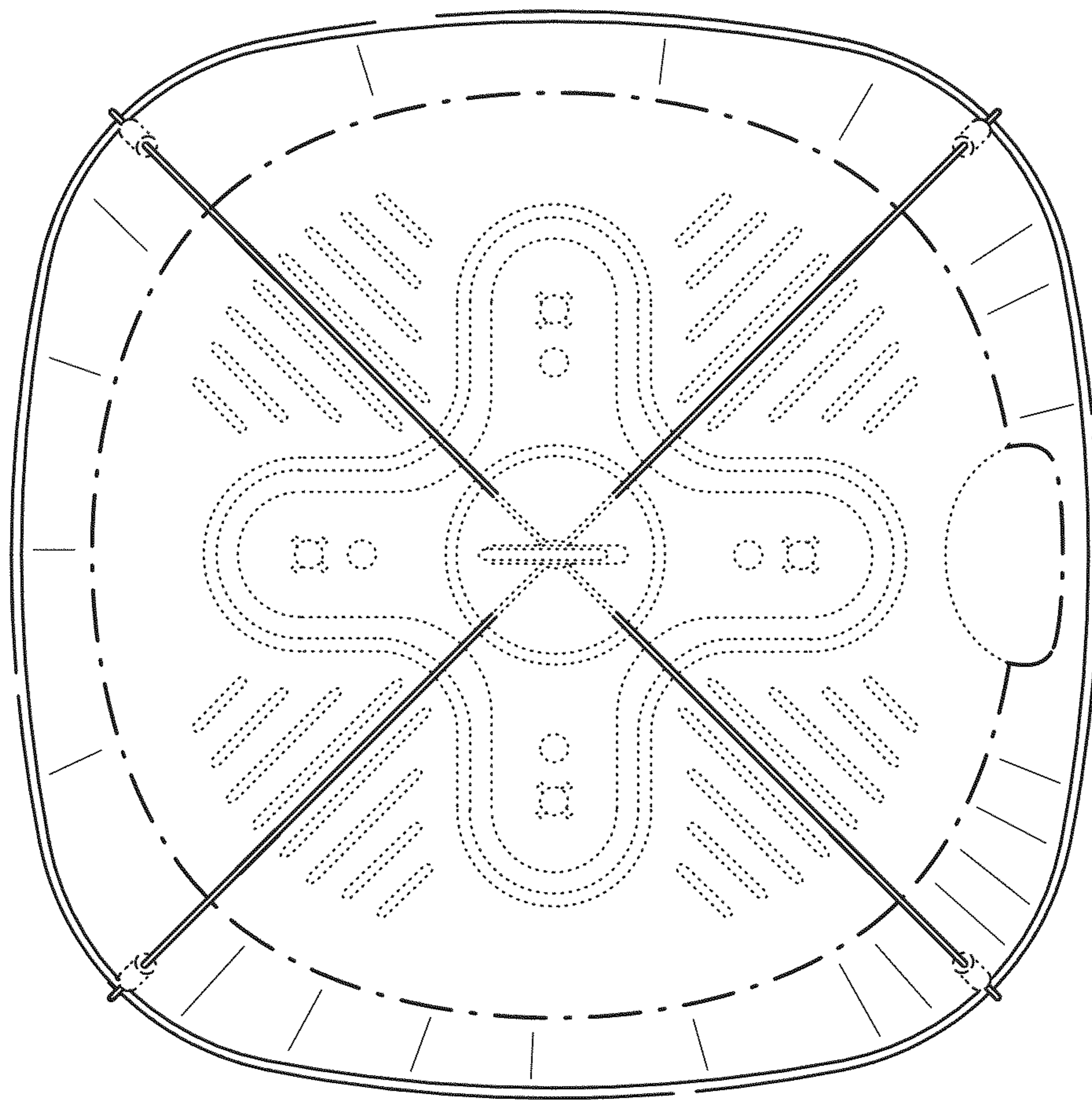


FIG. 6



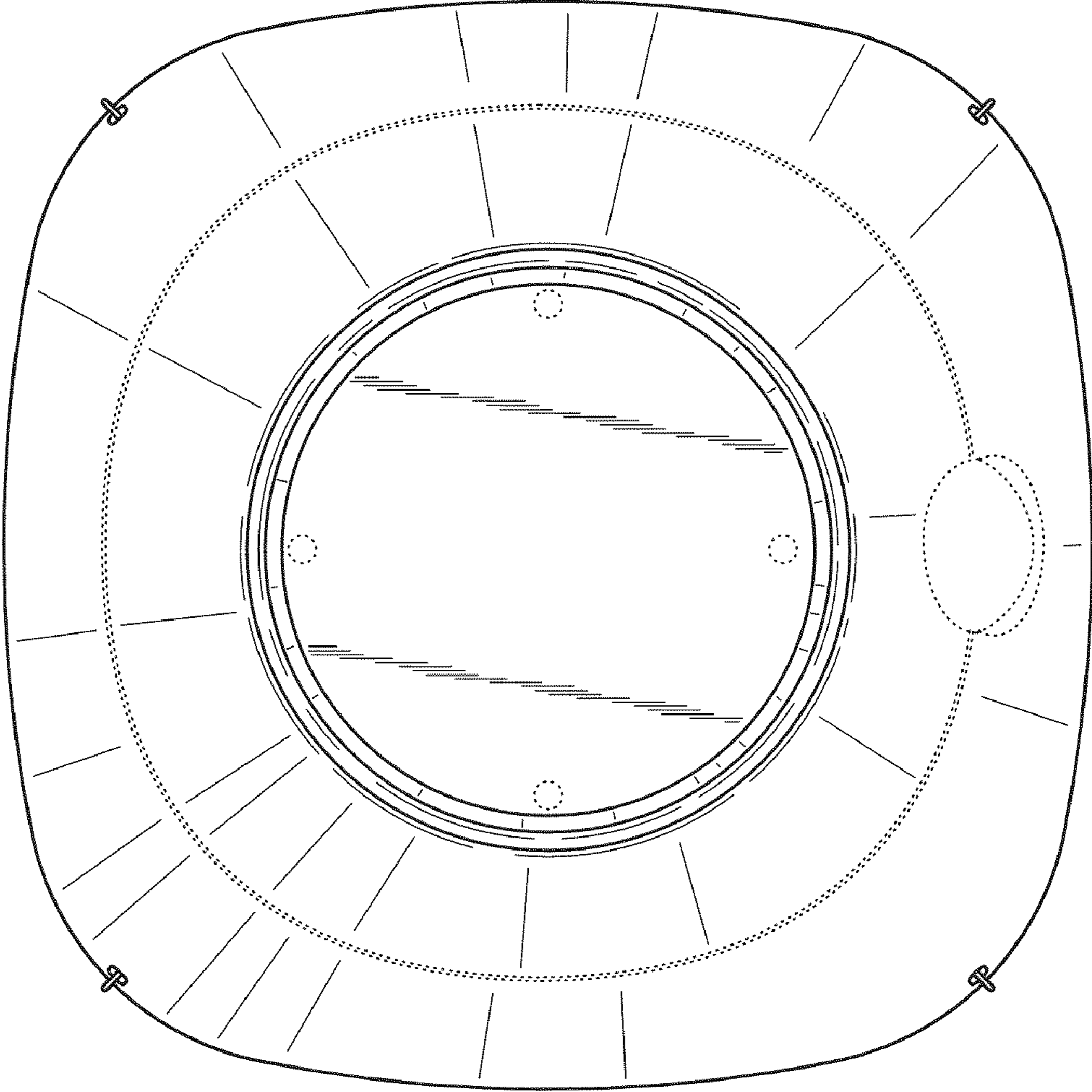


FIG. 7