



US00D653579S

(12) **United States Design Patent**  
**Niven et al.**

(10) **Patent No.:** **US D653,579 S**

(45) **Date of Patent:** **\*\* Feb. 7, 2012**

(54) **BEACON**

(75) Inventors: **Rex Carswell Niven**, Eltham (AU);  
**Haydn James Gunstone**, Epping (AU);  
**Timothy William Parker**, Canterbury (AU)

(73) Assignee: **Eflare Corporation Pty Ltd**, St. Kilda, Victoria (AU)

(\*\*) Term: **14 Years**

(21) Appl. No.: **29/391,282**

(22) Filed: **May 5, 2011**

(51) **LOC (9) Cl.** ..... **10-05**

(52) **U.S. Cl.** ..... **D10/114.2**

(58) **Field of Classification Search** ..... D10/111,  
D10/113.1, 114.1-114.2, 114.9; D26/85;  
404/14

See application file for complete search history.

(56) **References Cited**

**U.S. PATENT DOCUMENTS**

D214,216 S \* 5/1969 Dreyfuss ..... D10/111  
D340,001 S \* 10/1993 Watkins ..... D10/114.2

D349,467 S \* 8/1994 Halaby ..... D10/114.1  
D376,332 S \* 12/1996 Fercano ..... D10/114.1  
D391,881 S \* 3/1998 Youseph ..... D10/114.1  
D471,833 S \* 3/2003 Jacober et al. .... D10/114.1

\* cited by examiner

*Primary Examiner* — George D Kirschbaum

(74) *Attorney, Agent, or Firm* — Kauth, Pomeroy, Peck & Bailey LLP

(57) **CLAIM**

The ornamental design for a beacon, as shown and described.

**DESCRIPTION**

FIG. 1 is a front view of a beacon incorporating a design in accordance with an embodiment of the invention;

FIG. 2 is a rear view thereof;

FIG. 3 is a right side view thereof;

FIG. 4 is a left side view thereof;

FIG. 5 is a bottom plan view thereof;

FIG. 6 is a top plan view thereof;

FIG. 7 is a front perspective view thereof; and,

FIG. 8 is a rear perspective view thereof.

The broken lines depict unclaimed environmental subject matter.

**1 Claim, 4 Drawing Sheets**

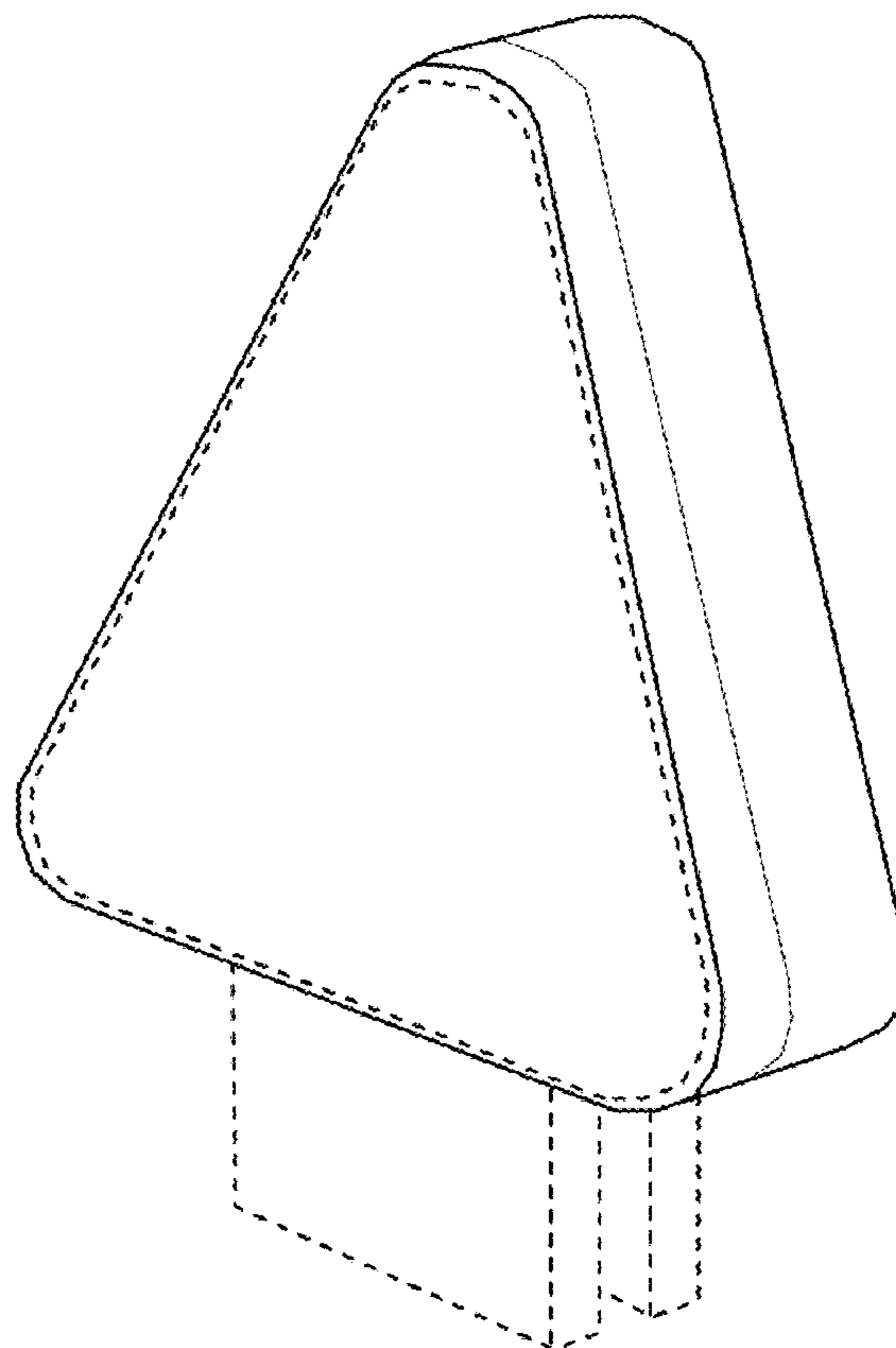
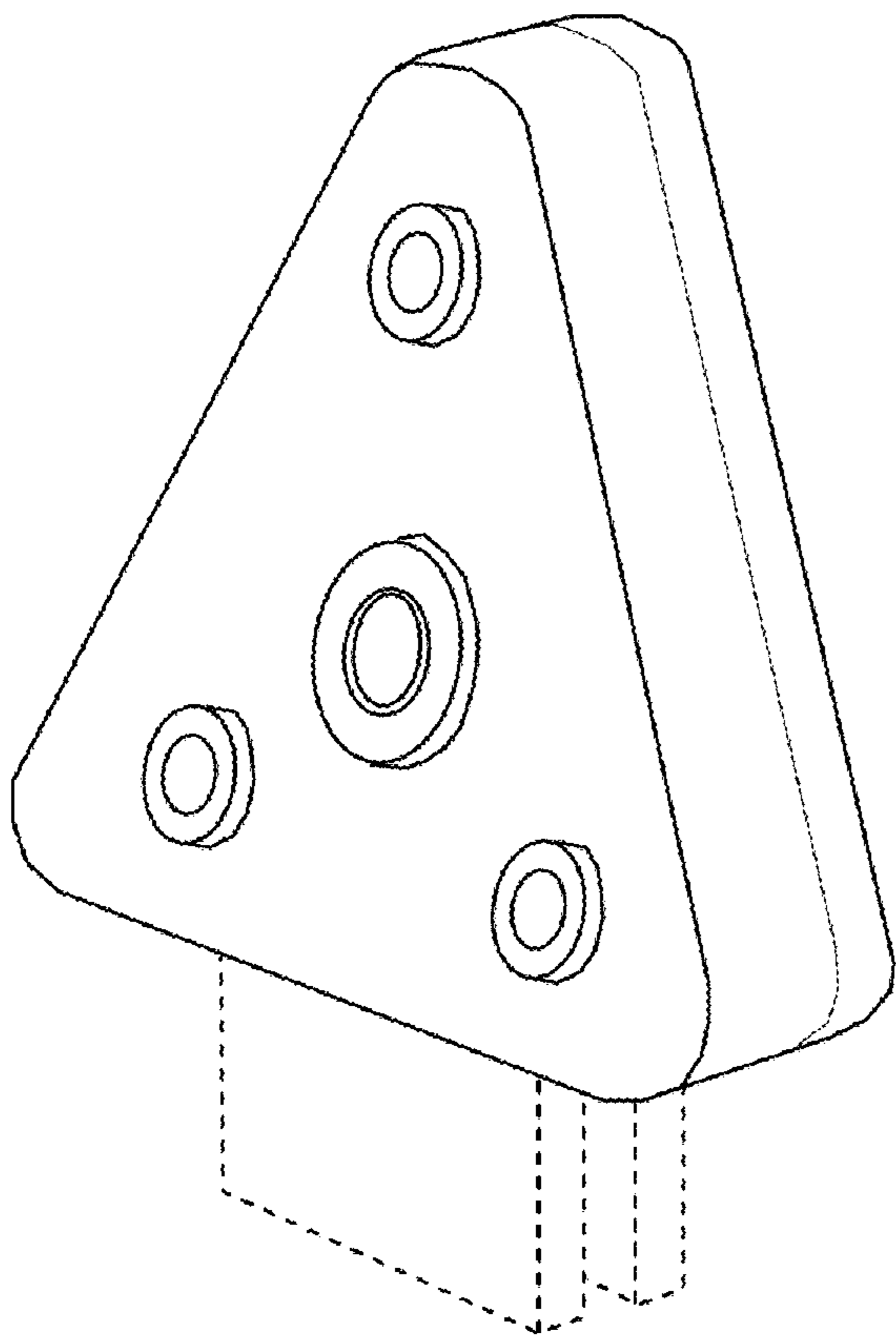


FIG. 1

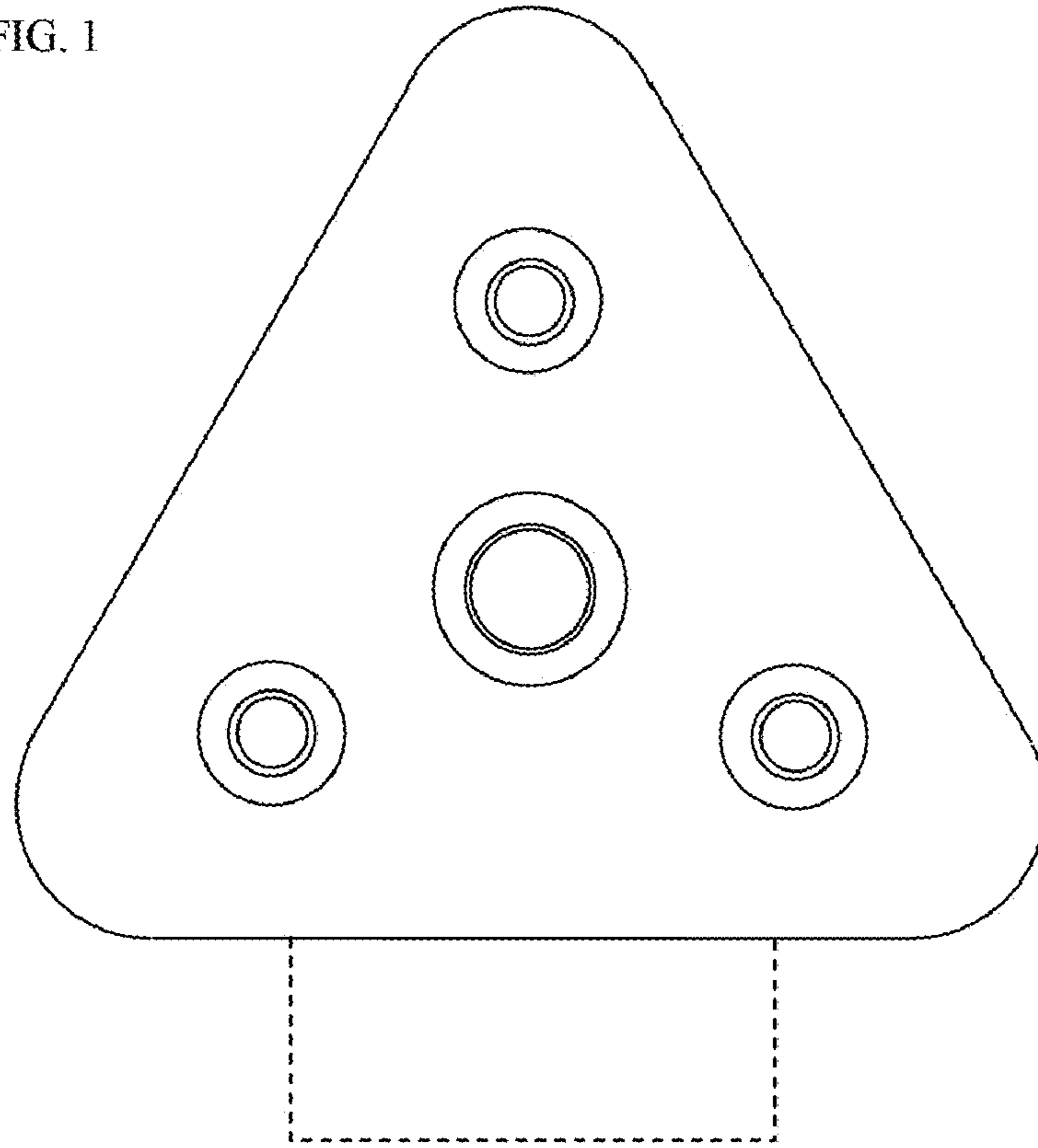


FIG. 2

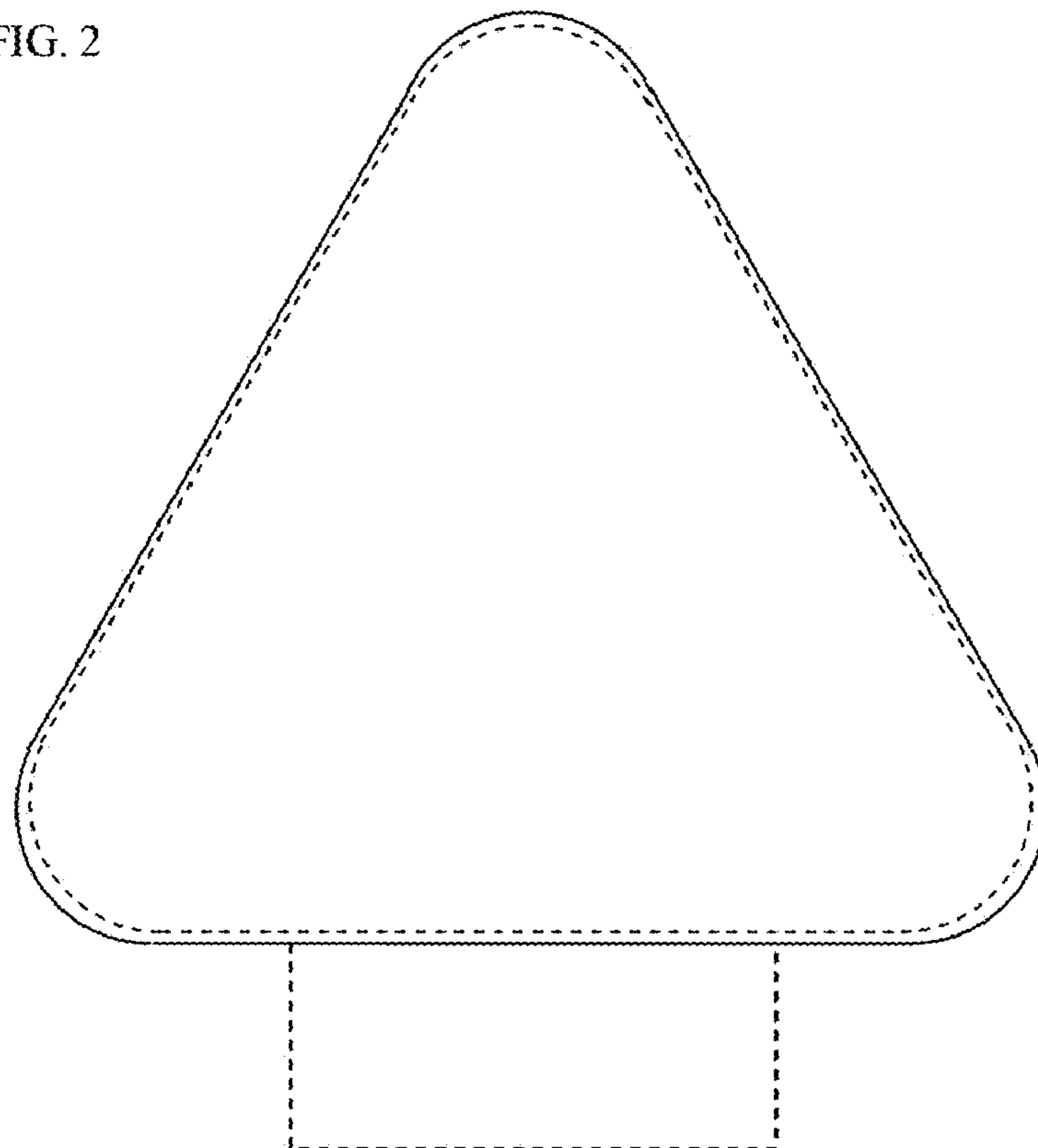


Fig 3

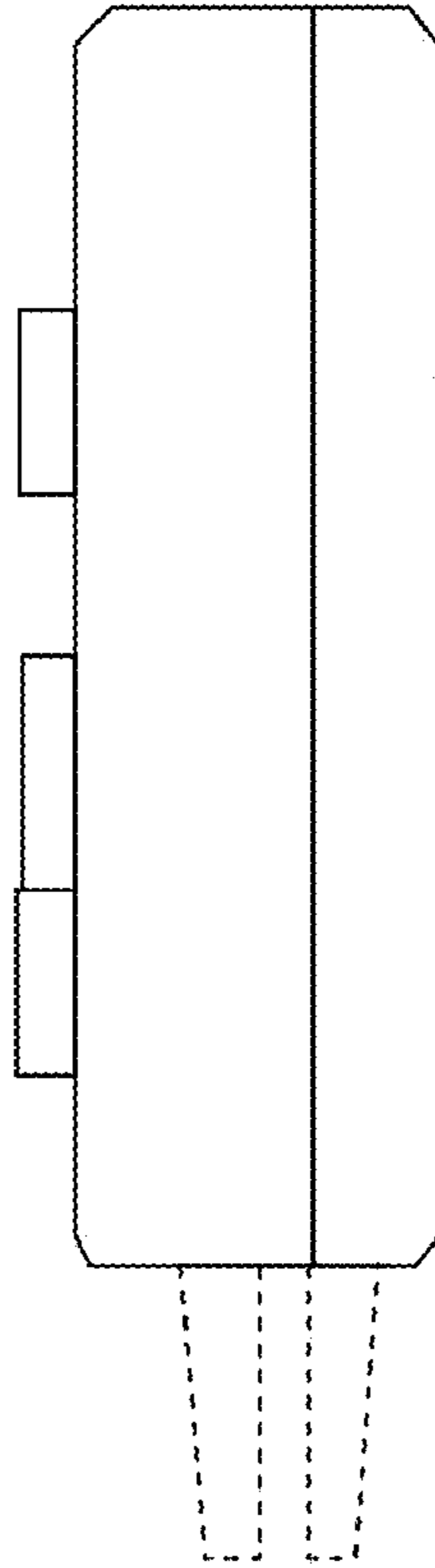


Fig 4

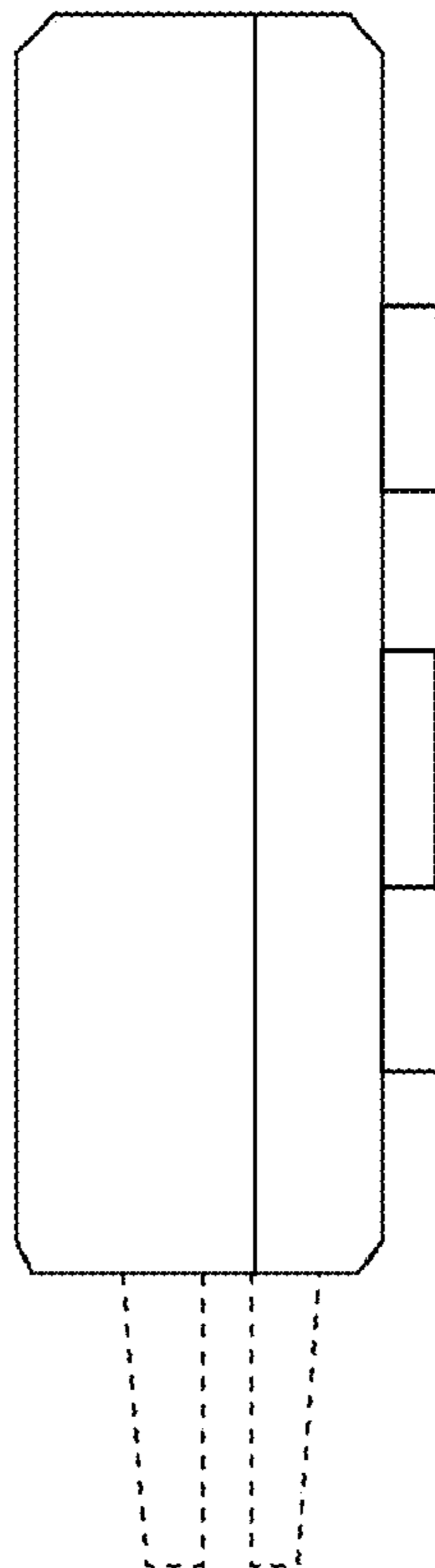


Fig 5



Fig 6

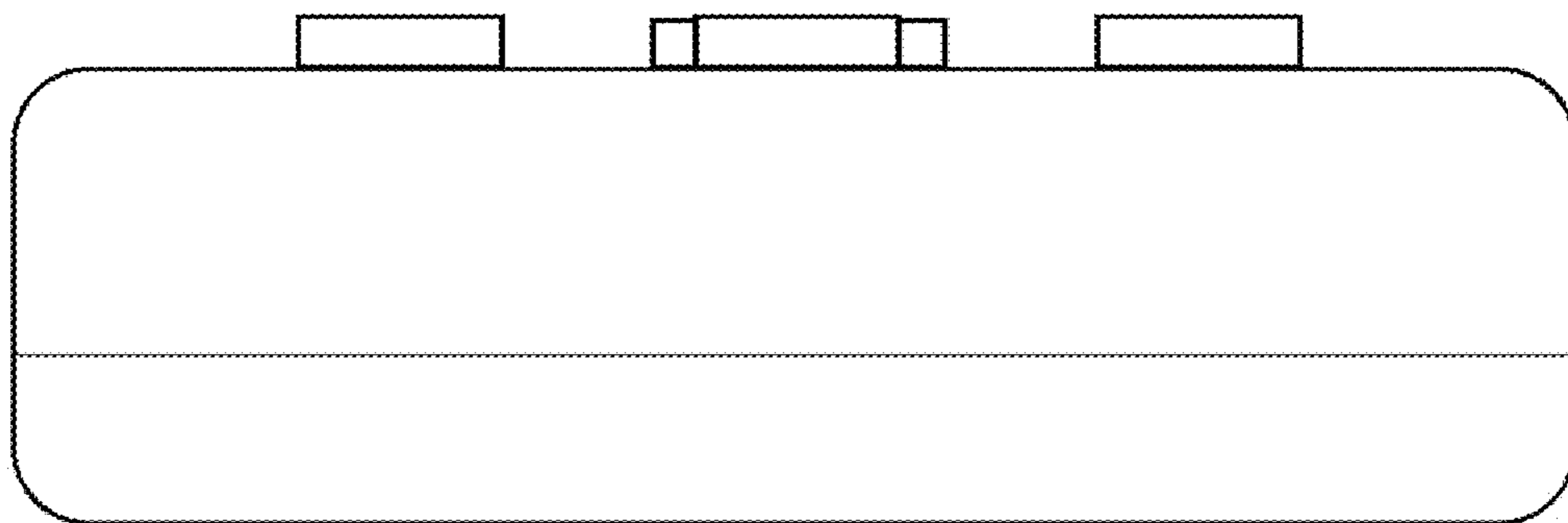


FIG. 7

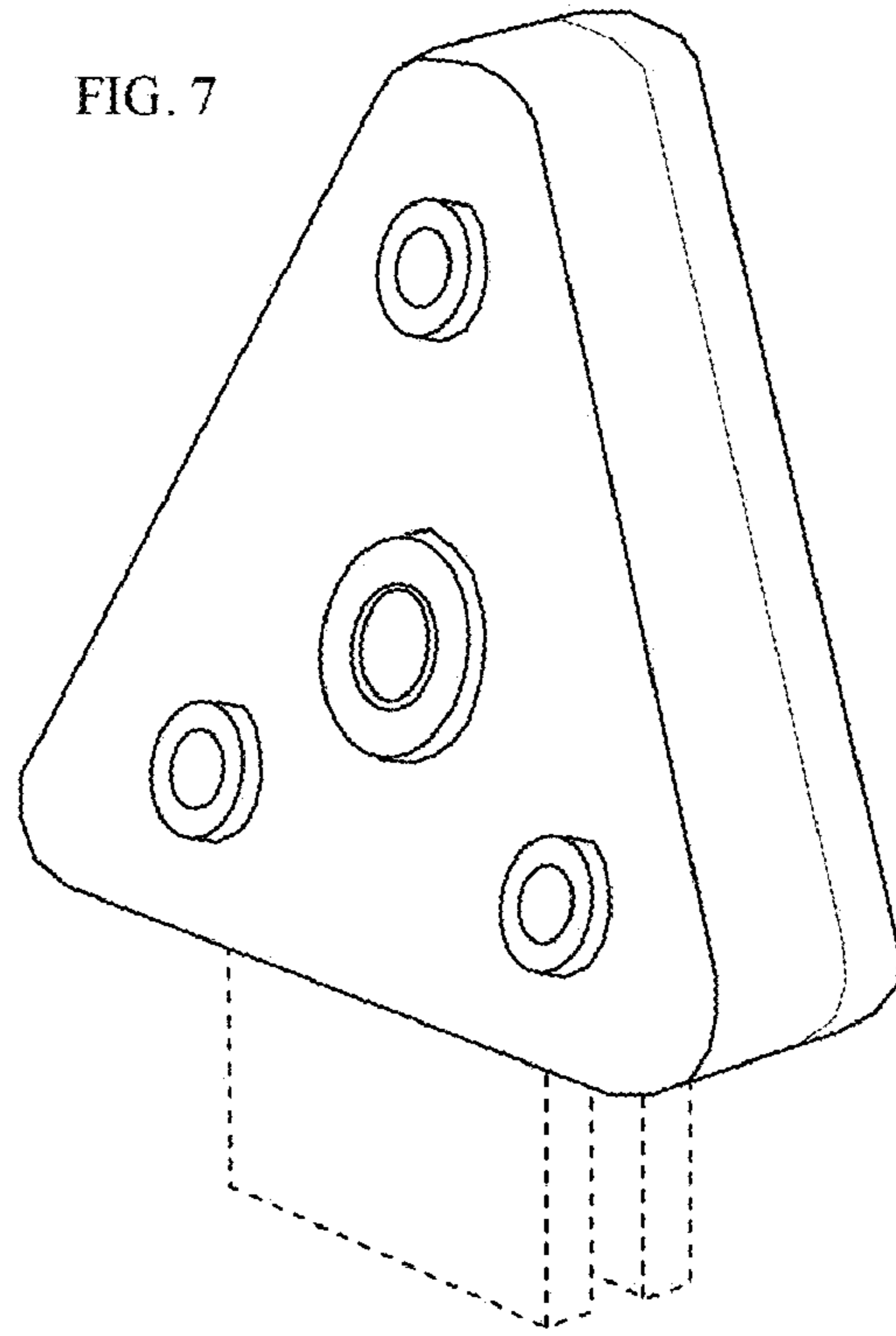


FIG. 8

