



US00D653577S

(12) **United States Design Patent**  
**Thalhammer**

(10) **Patent No.:** **US D653,577 S**

(45) **Date of Patent:** **\*\* Feb. 7, 2012**

(54) **DETECTOR**

(75) Inventor: **Stefan Thalhammer**, Baierbrunn (DE)

(73) Assignee: **Robert Bosch GmbH**, Stuttgart (DE)

(\*\*) Term: **14 Years**

(21) Appl. No.: **29/399,005**

(22) Filed: **Aug. 8, 2011**

(30) **Foreign Application Priority Data**

Feb. 9, 2011 (EM) ..... 001818857

(51) **LOC (9) Cl.** ..... **10-05**

(52) **U.S. Cl.** ..... **D10/106.5**

(58) **Field of Classification Search** ..... D10/106.5,  
D10/106.2, 121, 98, 81, 47, 50; 340/628,  
340/632, 634, 544, 545, 555, 558, 571, 693.6;  
493/333; 73/23.2

See application file for complete search history.

(56) **References Cited**

**U.S. PATENT DOCUMENTS**

D271,670 S *	12/1983	Takai et al.	.....	D10/106.5
D453,304 S *	2/2002	Job	.....	D10/106.5
D622,170 S *	8/2010	Cargile	.....	D10/106.5
D628,108 S *	11/2010	Akdag et al.	.....	D10/106.5
D631,379 S *	1/2011	Sutton	.....	D10/106.5

\* cited by examiner

*Primary Examiner* — George D Kirschbaum

(74) *Attorney, Agent, or Firm* — Maginot, Moore & Beck

(57) **CLAIM**

The ornamental design for a detector, as shown and described.

**DESCRIPTION**

FIG. 1 is a perspective view of a detector showing my new design;

FIG. 2 is right side elevational view showing the design for the detector of FIG. 1;

FIG. 3 is a left side elevational view showing the design for the detector of FIG. 1;

FIG. 4 is a rear elevational view showing the design for the detector of FIG. 1;

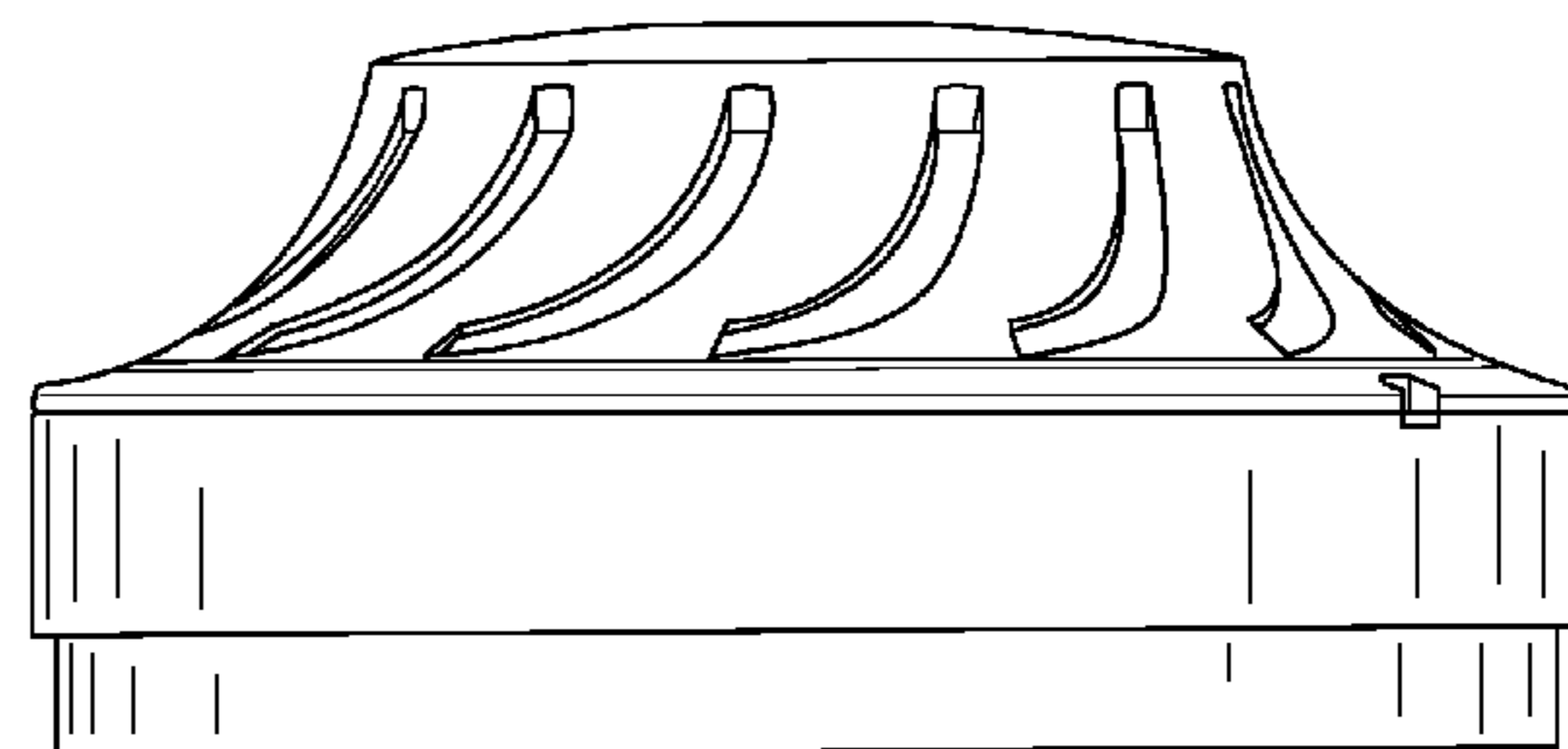
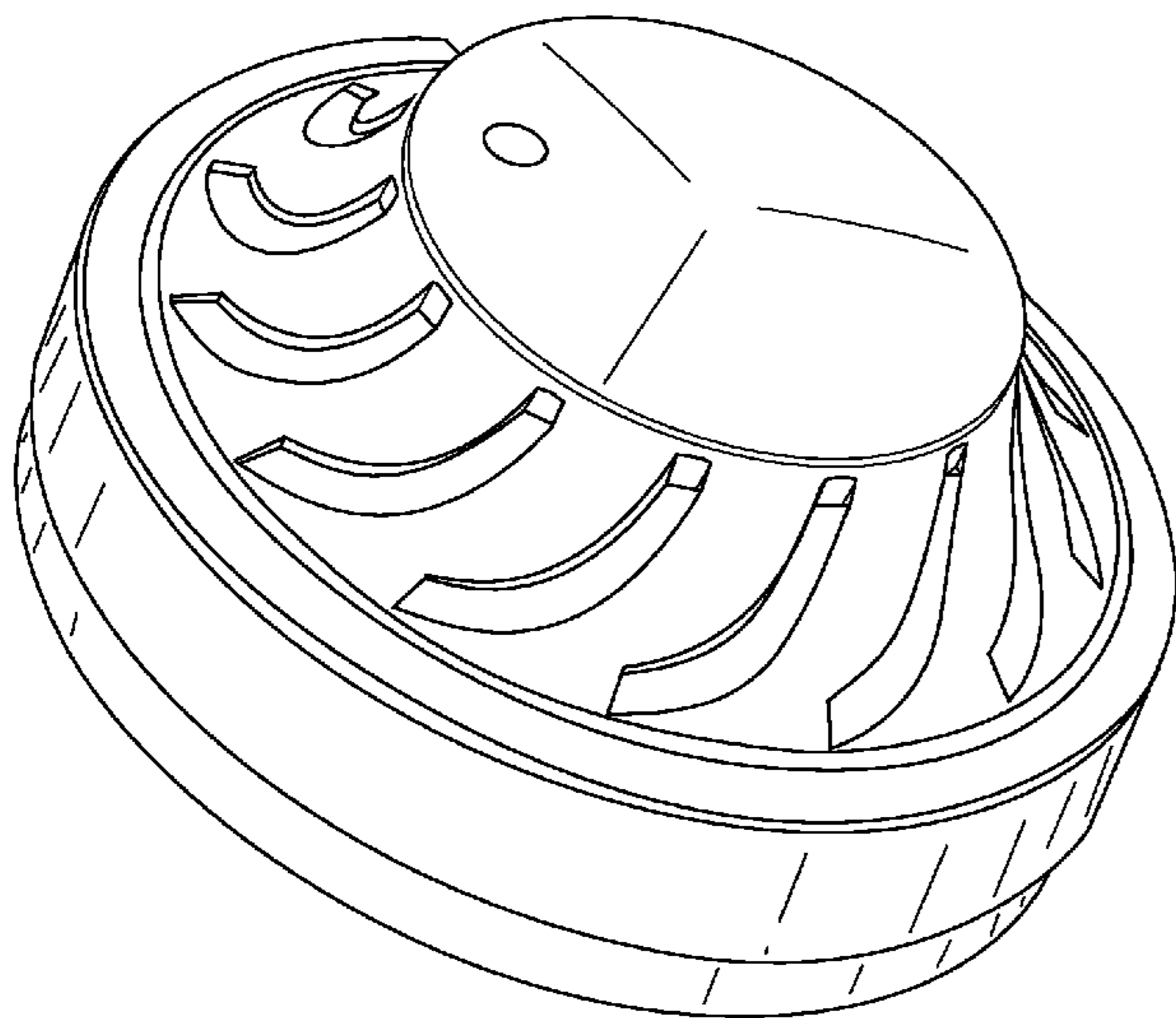
FIG. 5 is a front elevational view showing the design for the detector of FIG. 1;

FIG. 6 is a top elevational view showing the design for the detector of FIG. 1; and,

FIG. 7 is a bottom elevational view showing the design for the detector of FIG. 1.

The broken lines depict unclaimed environmental subject matter.

**1 Claim, 7 Drawing Sheets**



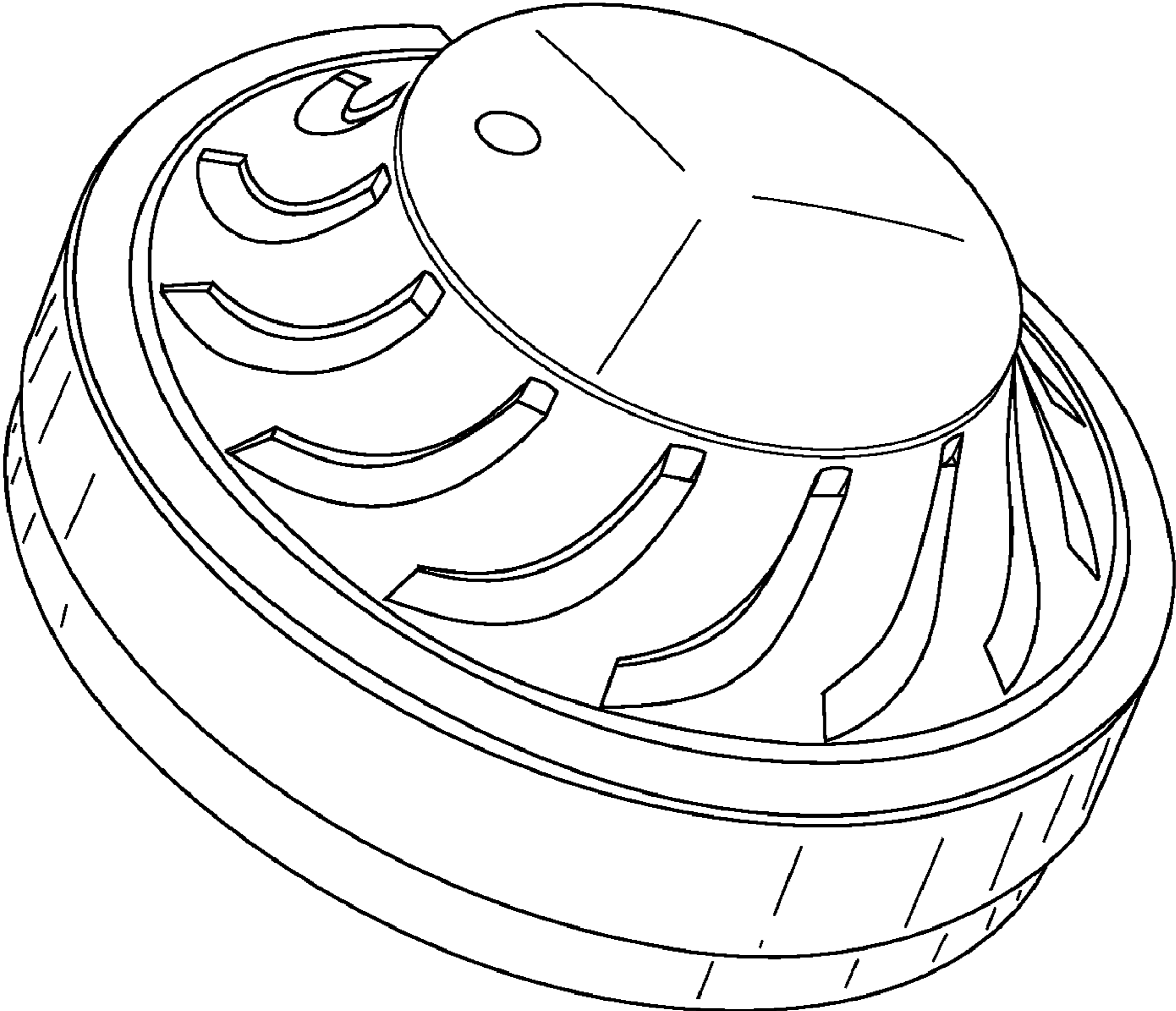


Fig. 1

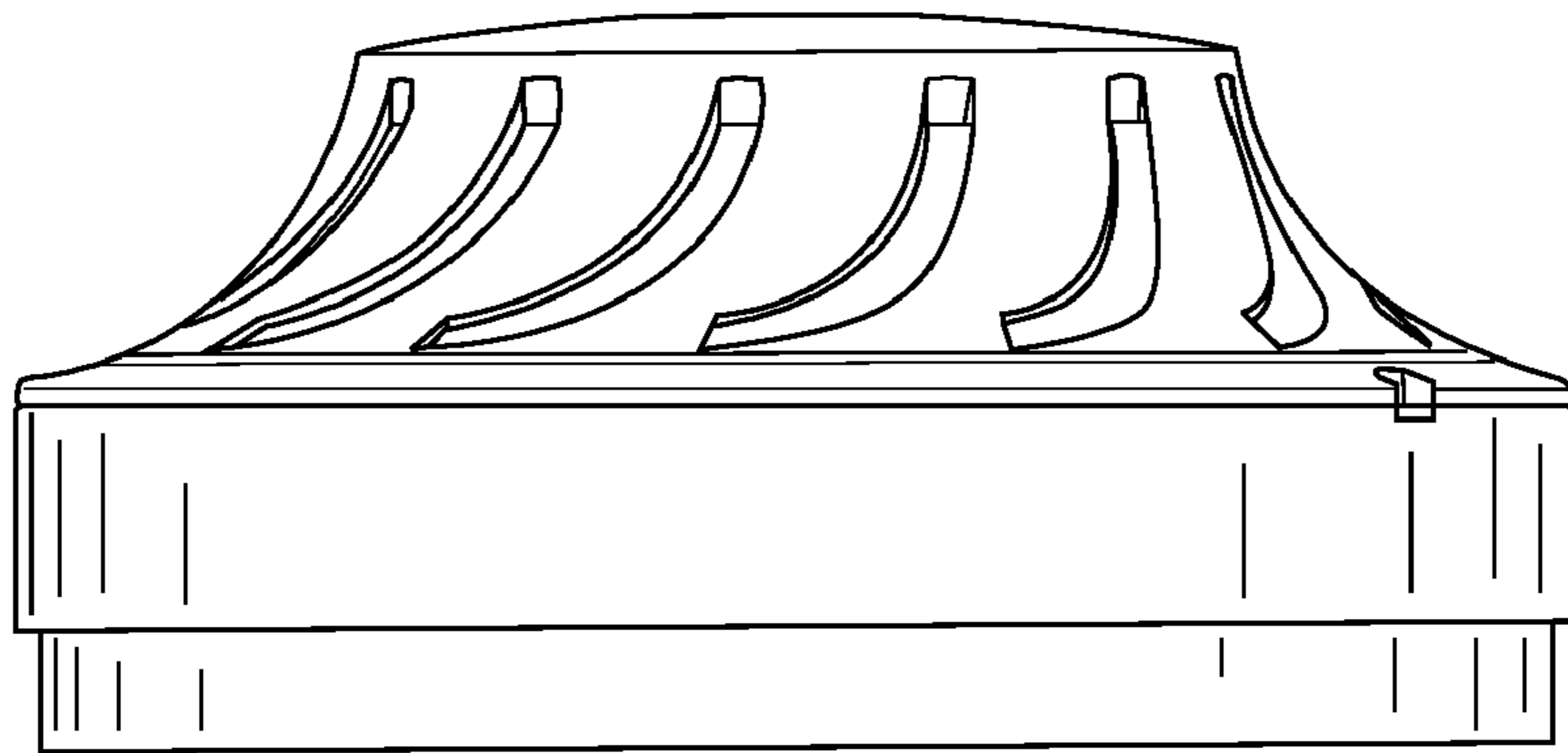


Fig. 2

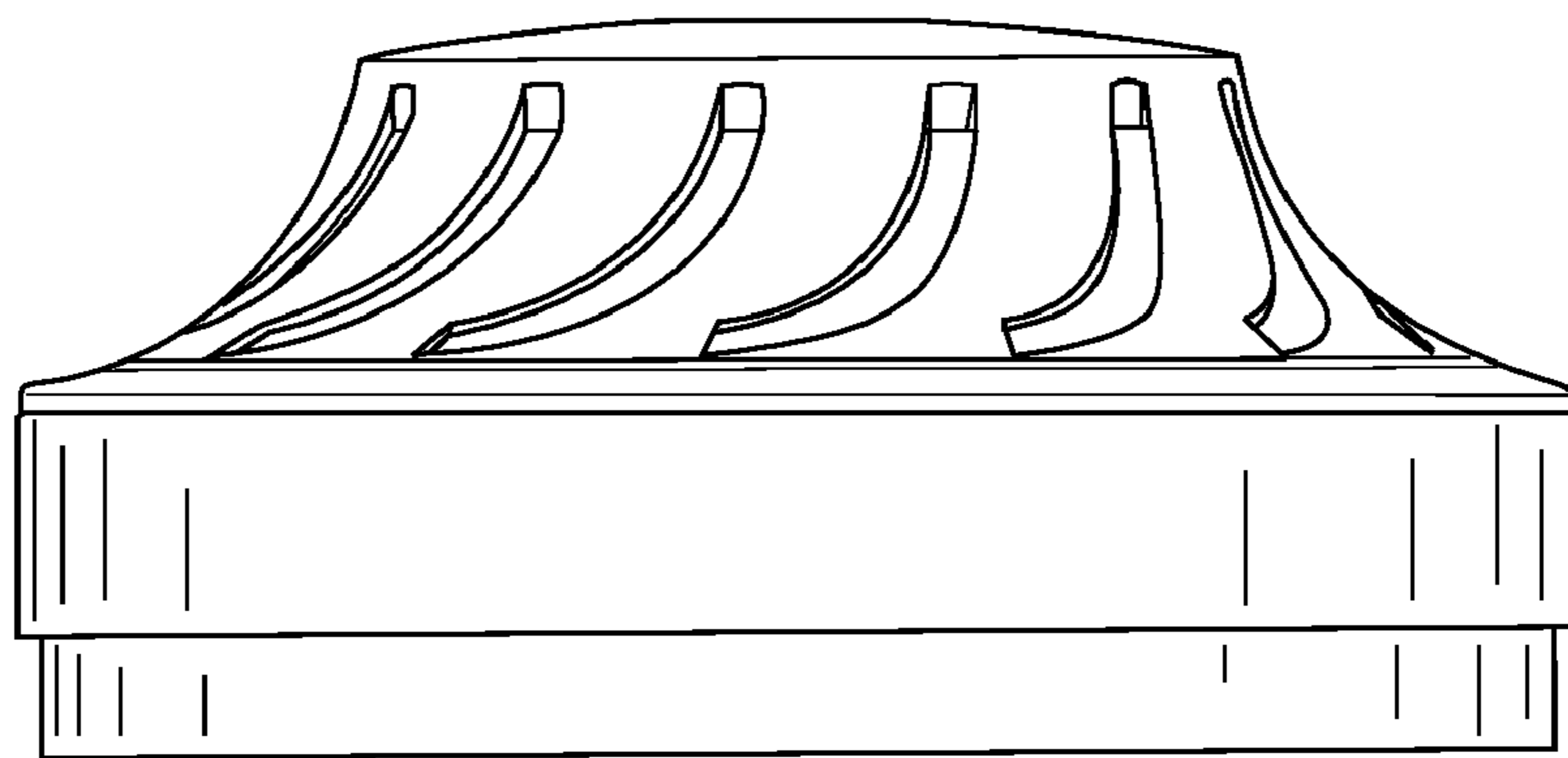


Fig. 3

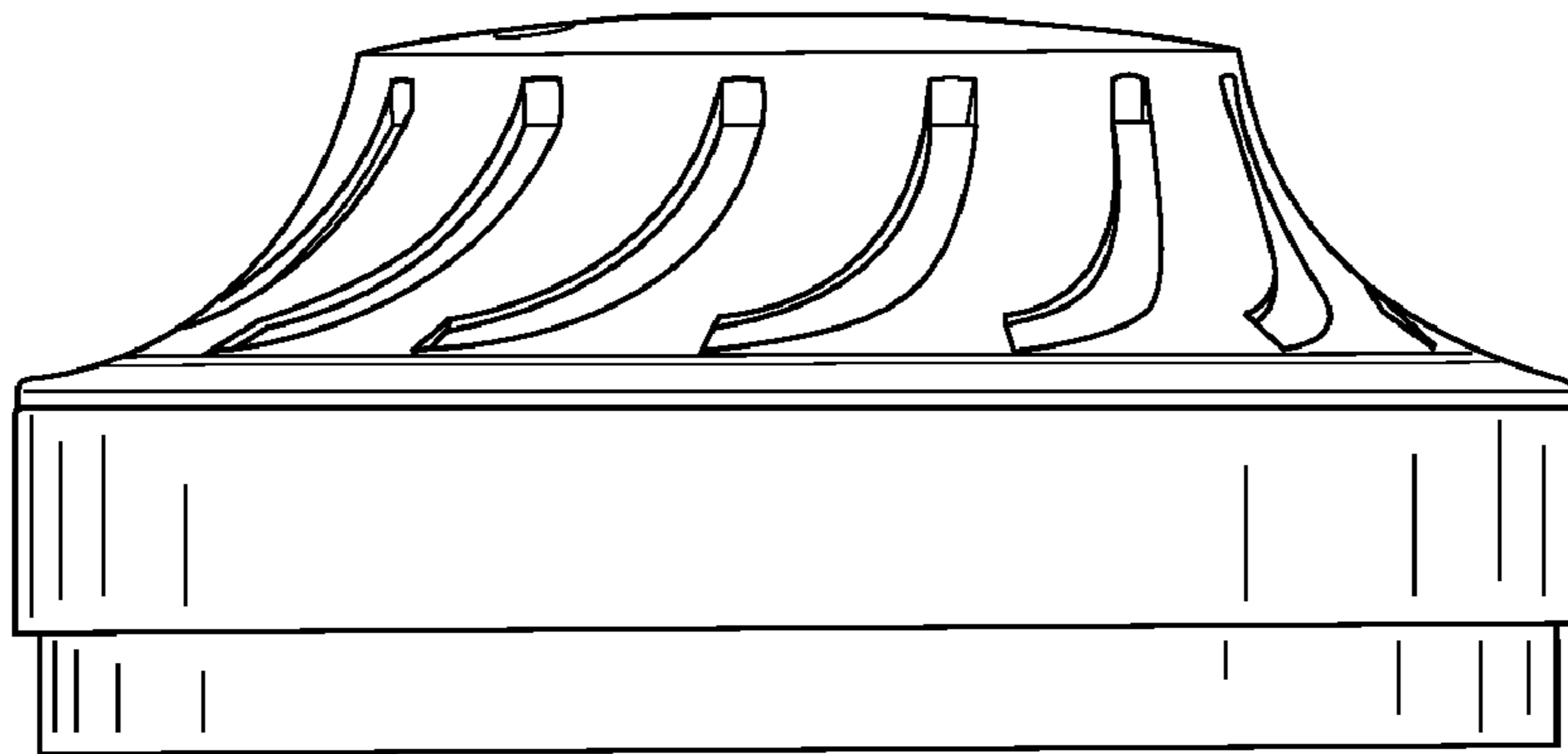


Fig. 4

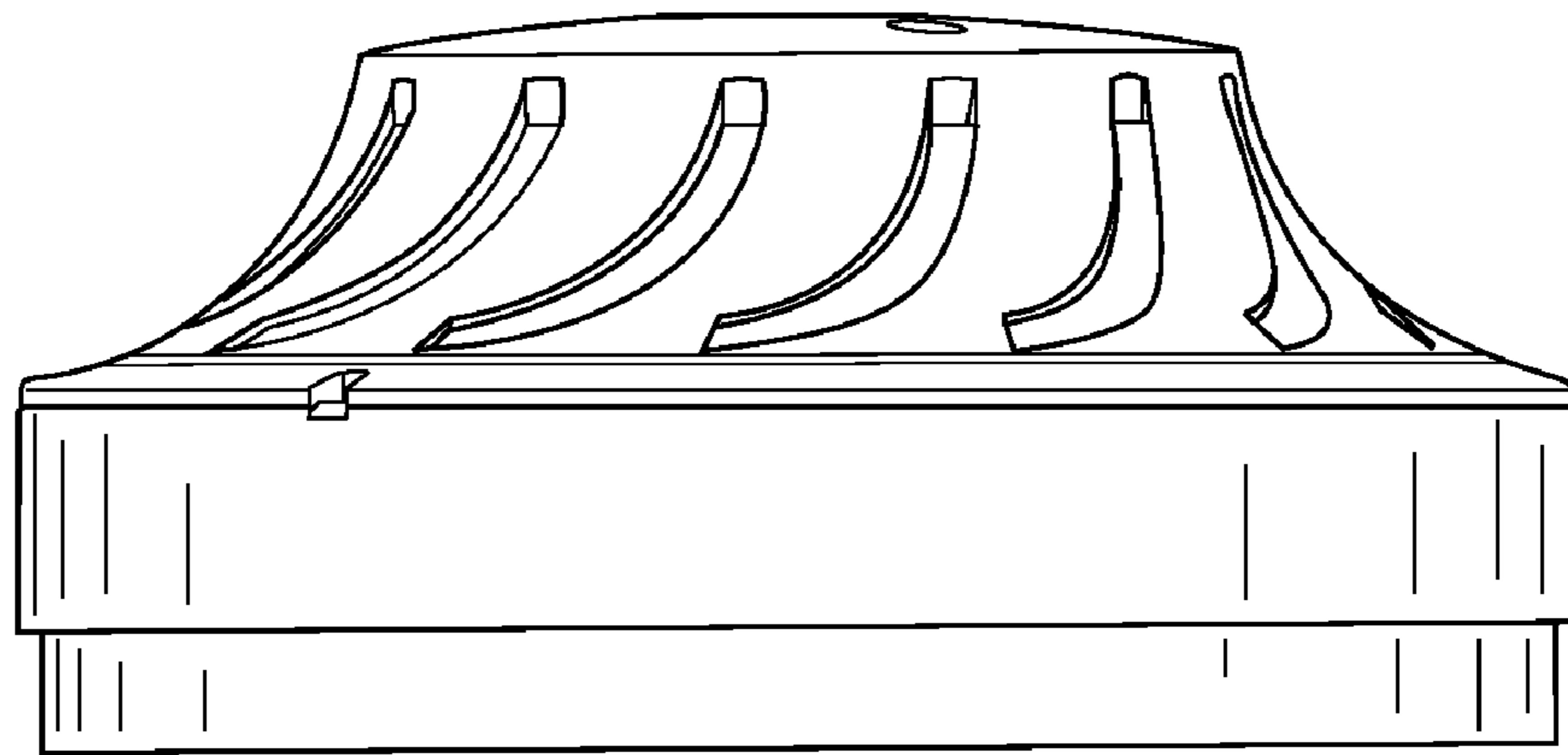


Fig. 5

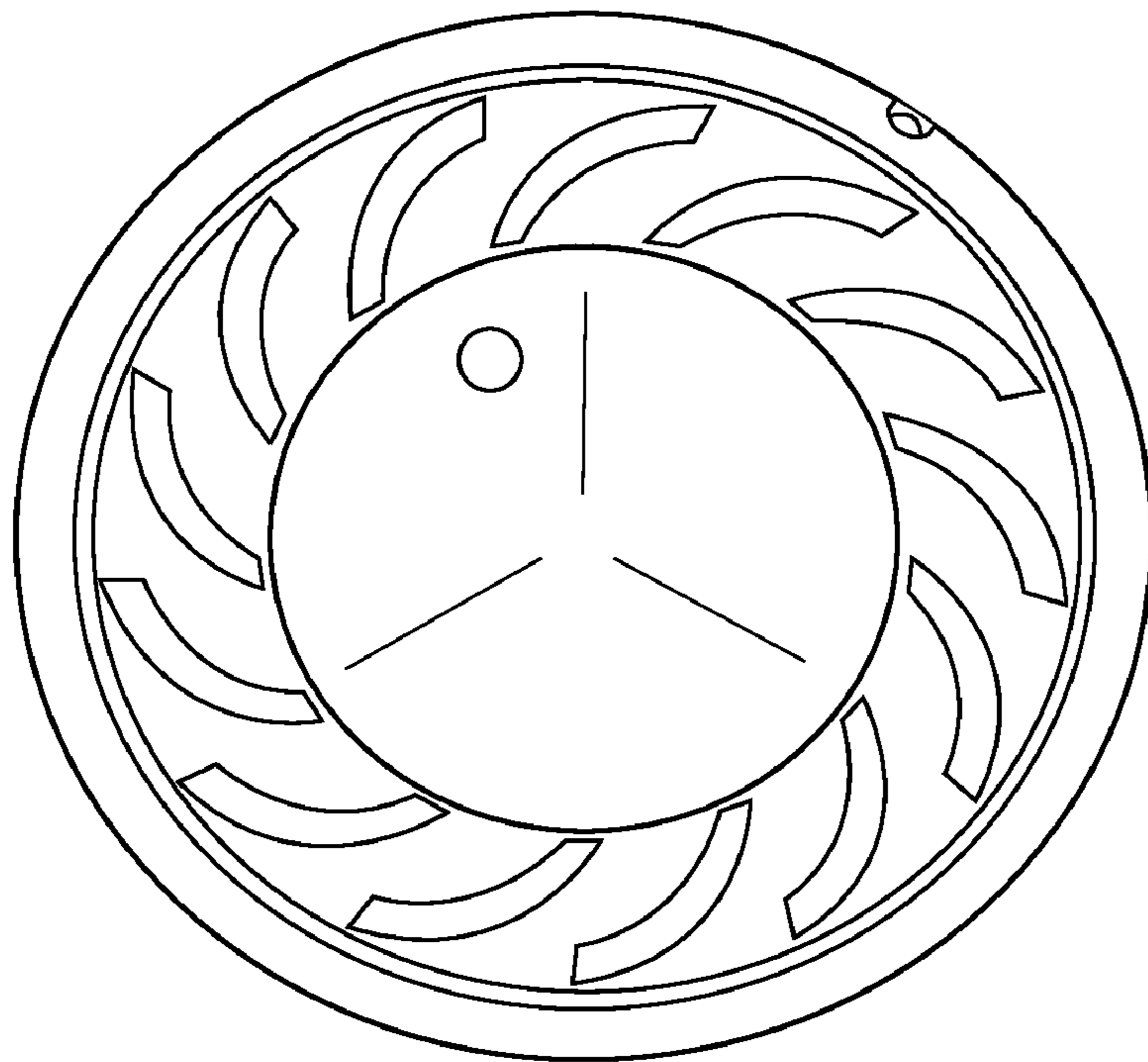


Fig. 6

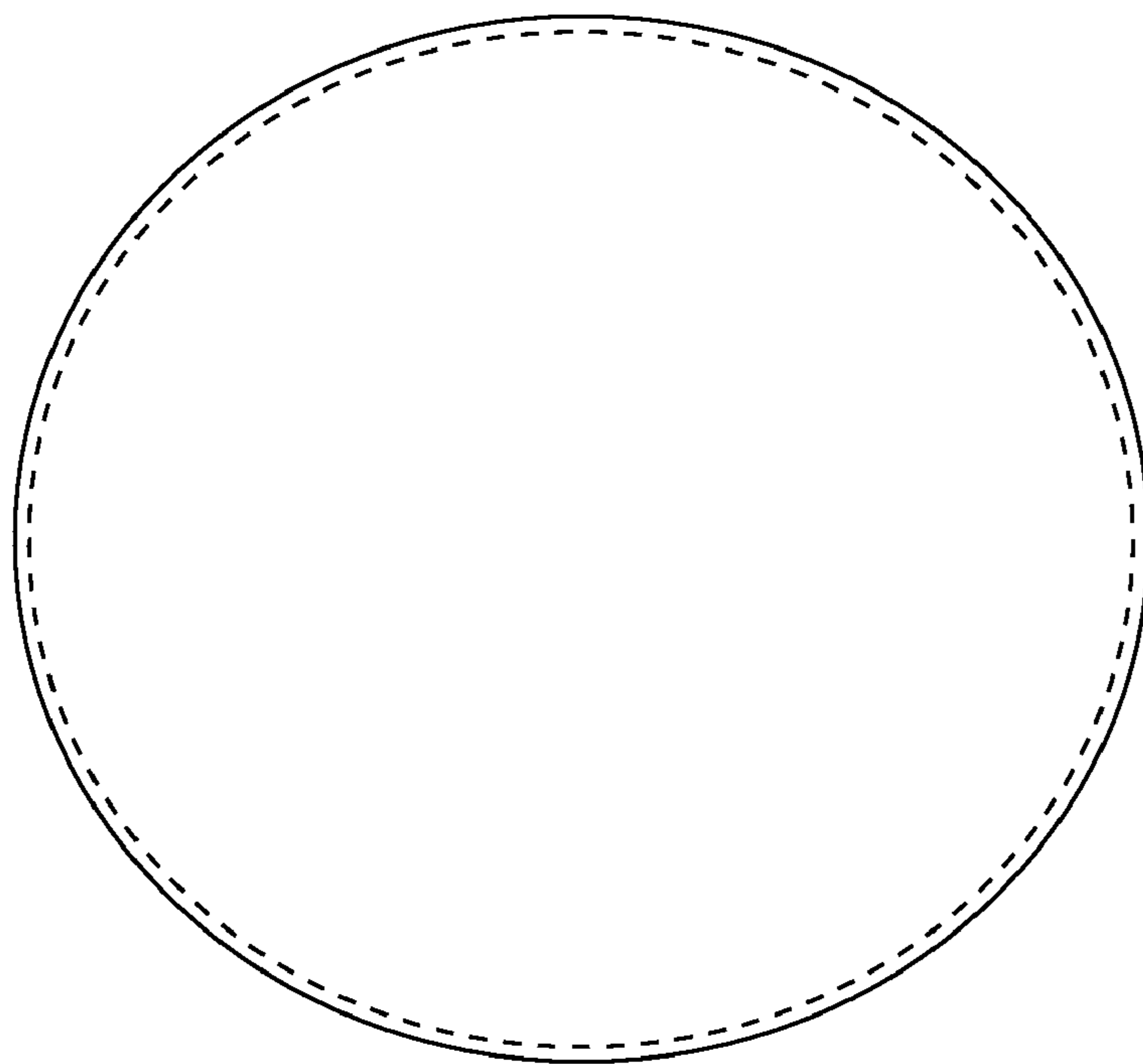


Fig. 7