



US00D653576S

(12) **United States Design Patent**
Thalhammer

(10) **Patent No.:** **US D653,576 S**

(45) **Date of Patent:** **** Feb. 7, 2012**

(54) **DETECTOR**

(75) Inventor: **Stefan Thalhammer**, Baierbrunn (DE)

(73) Assignee: **Robert Bosch GmbH**, Stuttgart (DE)

(**) Term: **14 Years**

(21) Appl. No.: **29/399,002**

(22) Filed: **Aug. 8, 2011**

(30) **Foreign Application Priority Data**

Feb. 9, 2011 (EM) 001818857

(51) **LOC (9) Cl.** **10-05**

(52) **U.S. Cl.** **D10/106.5**

(58) **Field of Classification Search** D10/106.5,
D10/106.2, 121, 98, 81, 47, 50; 340/628,
340/632, 634, 544, 545, 555, 558, 571, 693.6;
493/333; 73/23.2

See application file for complete search history.

(56) **References Cited**

U.S. PATENT DOCUMENTS

D271,670 S *	12/1983	Takai et al.	D10/106.5
D453,304 S *	2/2002	Job	D10/106.5
D622,170 S *	8/2010	Cargile	D10/106.5
D628,108 S *	11/2010	Akdag et al.	D10/106.5
D631,379 S *	1/2011	Sutton	D10/106.5

* cited by examiner

Primary Examiner — George D Kirschbaum

(74) *Attorney, Agent, or Firm* — Maginot, Moore & Beck

(57) **CLAIM**

The ornamental design for a detector, as shown and described.

DESCRIPTION

FIG. 1 is a perspective view of a detector showing my new design;

FIG. 2 is right side elevational view showing the design for the detector of FIG. 1;

FIG. 3 is a left side elevational view showing the design for the detector of FIG. 1;

FIG. 4 is a rear elevational view showing the design for the detector of FIG. 1;

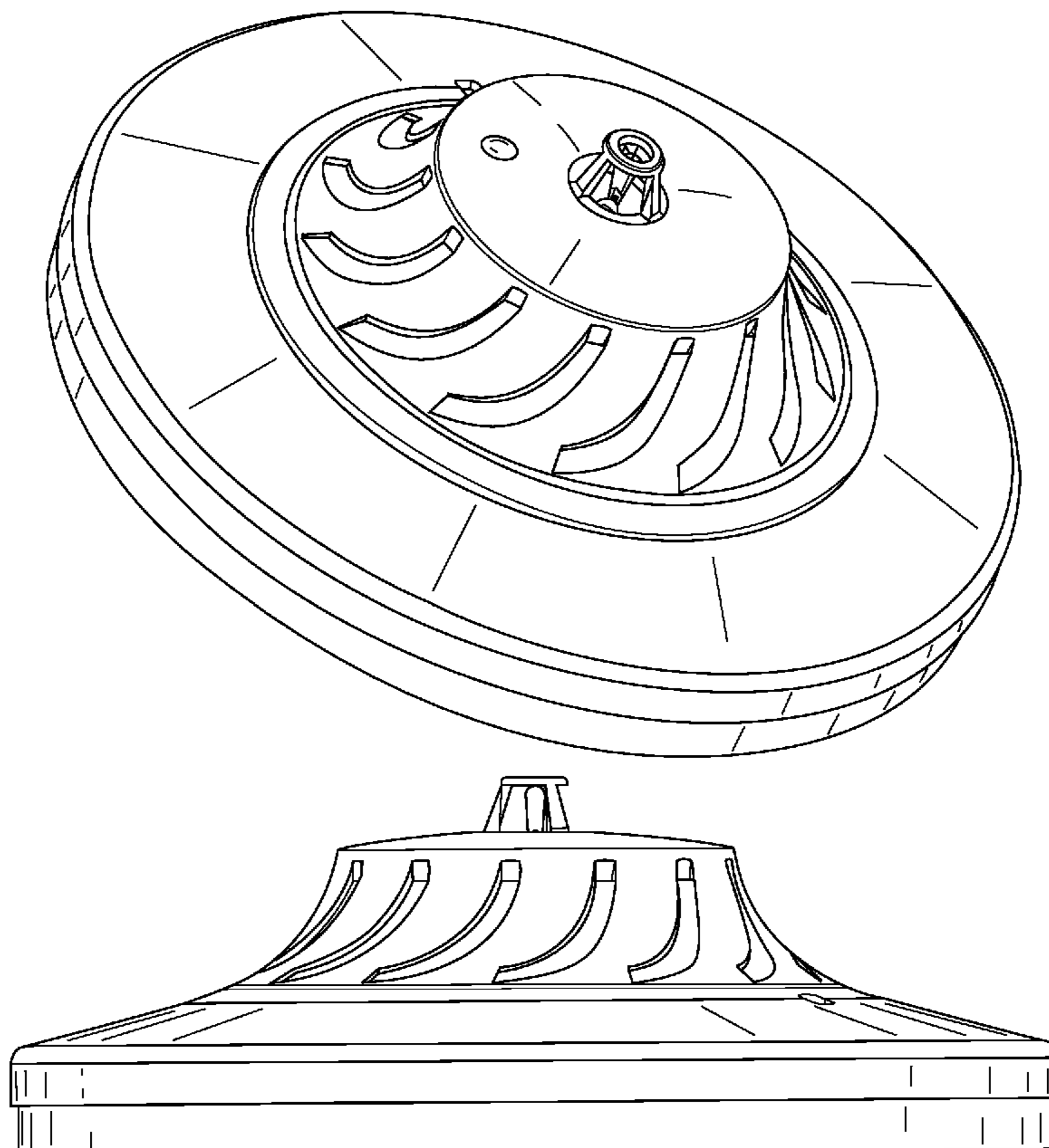
FIG. 5 is a front elevational view showing the design for the detector of FIG. 1;

FIG. 6 is a top elevational view showing the design for the detector of FIG. 1; and,

FIG. 7 is a bottom elevational view showing the design for the detector of FIG. 1.

The broken lines depict unclaimed environmental subject matter.

1 Claim, 7 Drawing Sheets



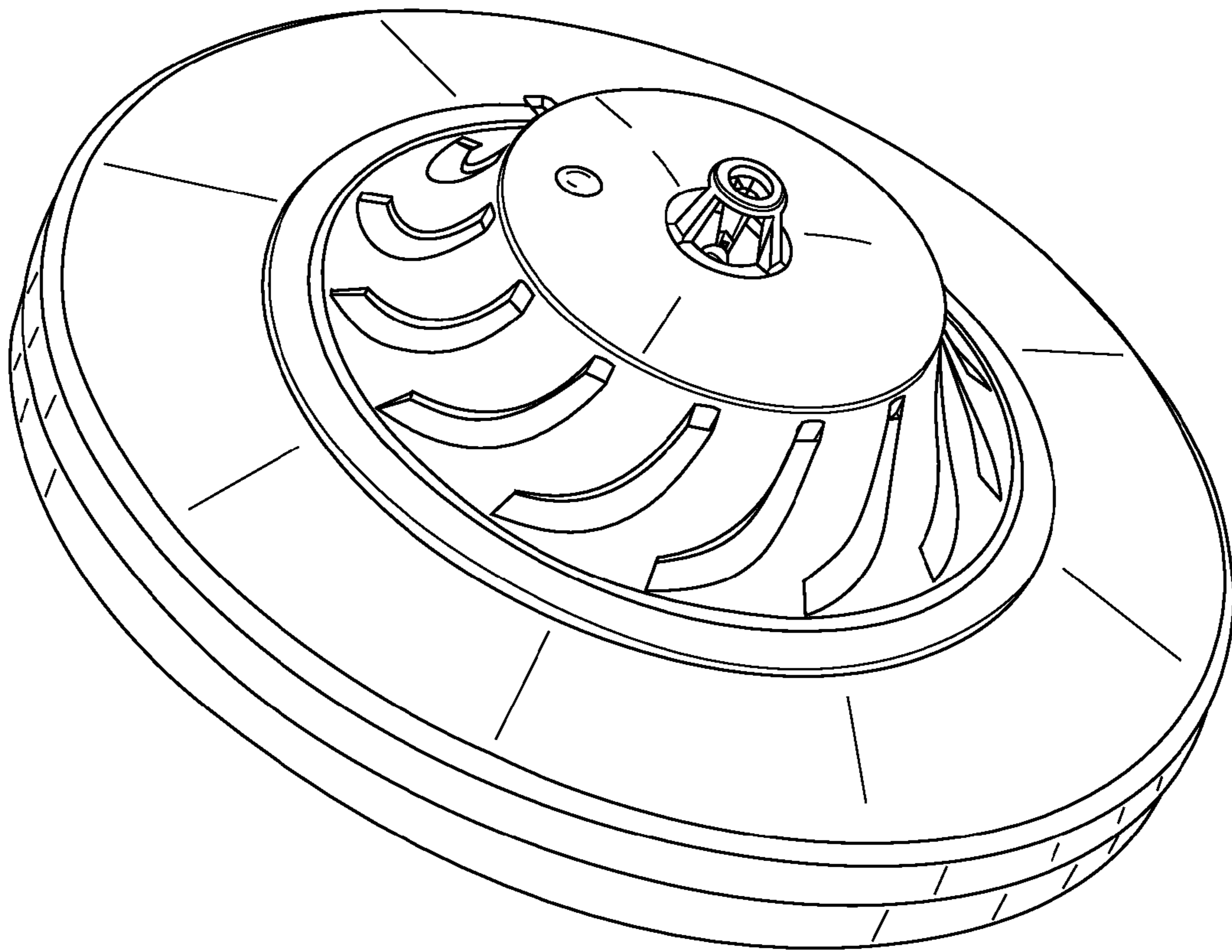


Fig. 1

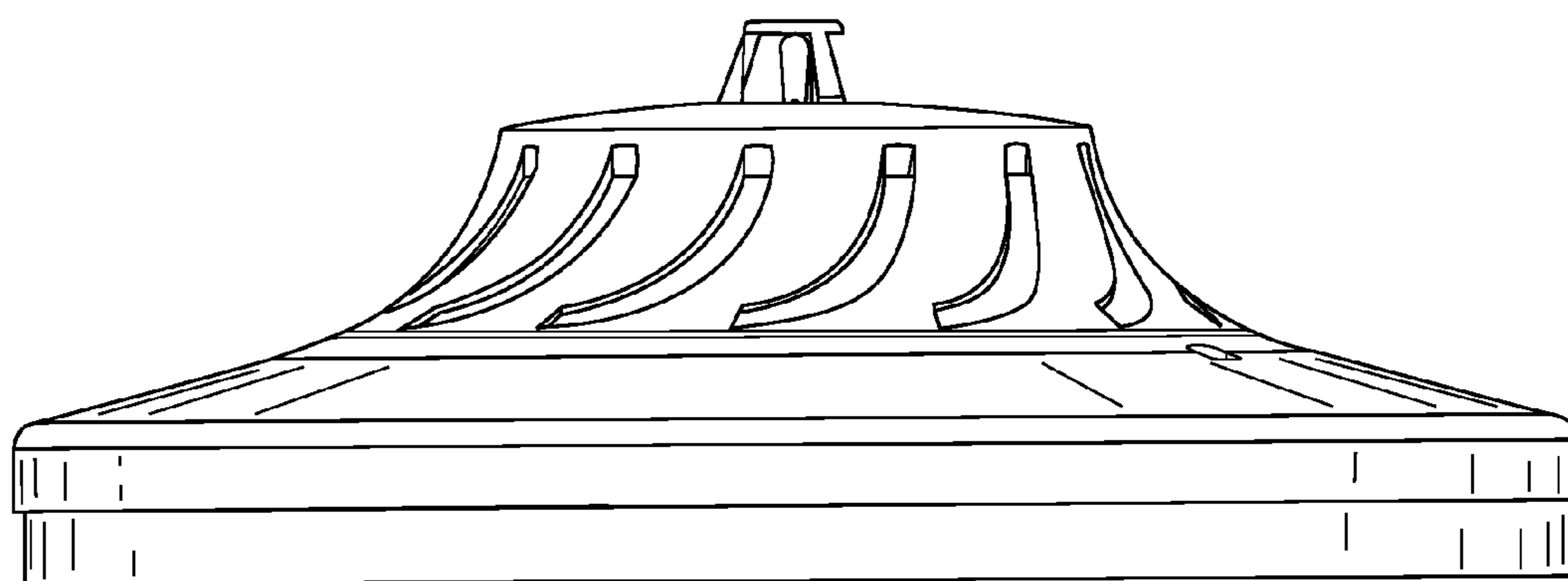


Fig. 2

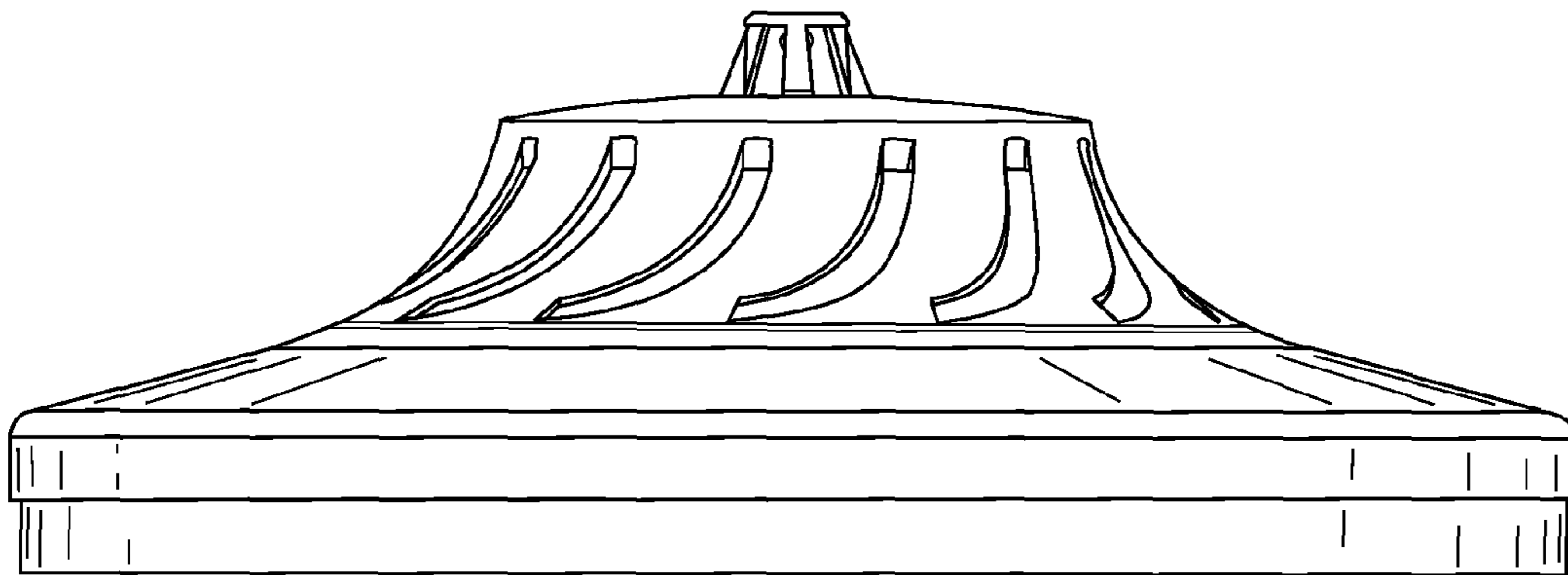


Fig. 3

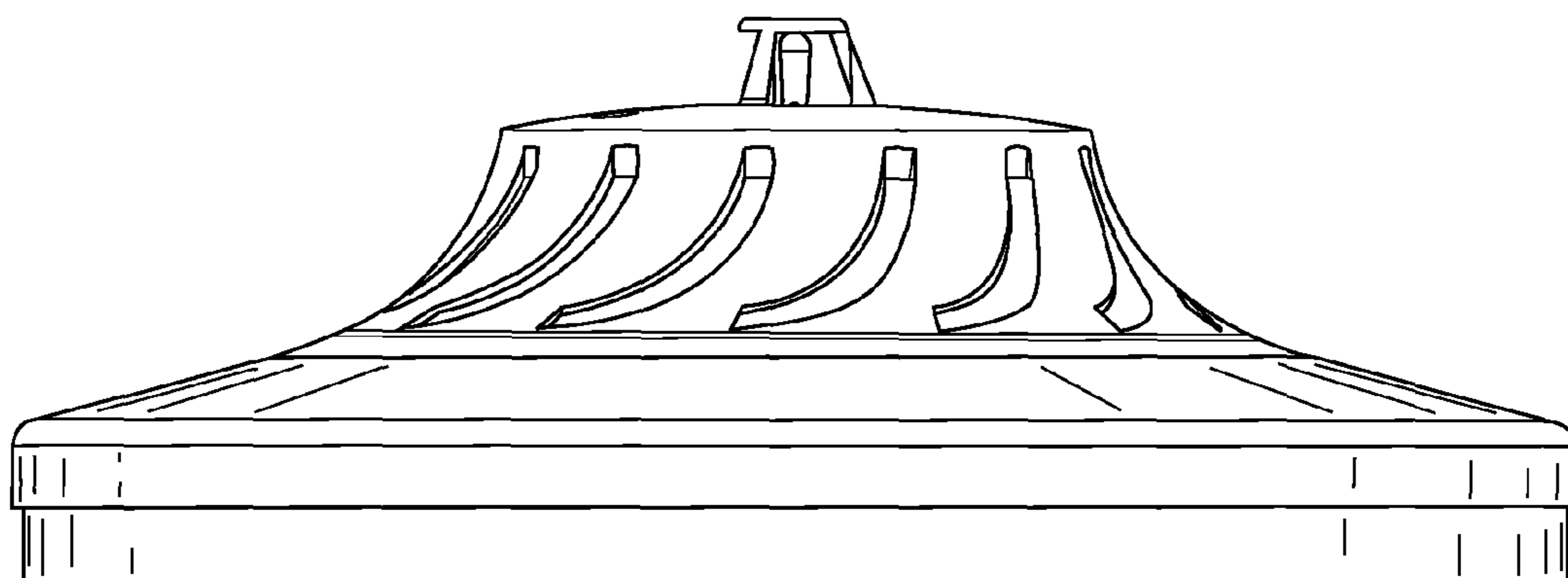


Fig. 4

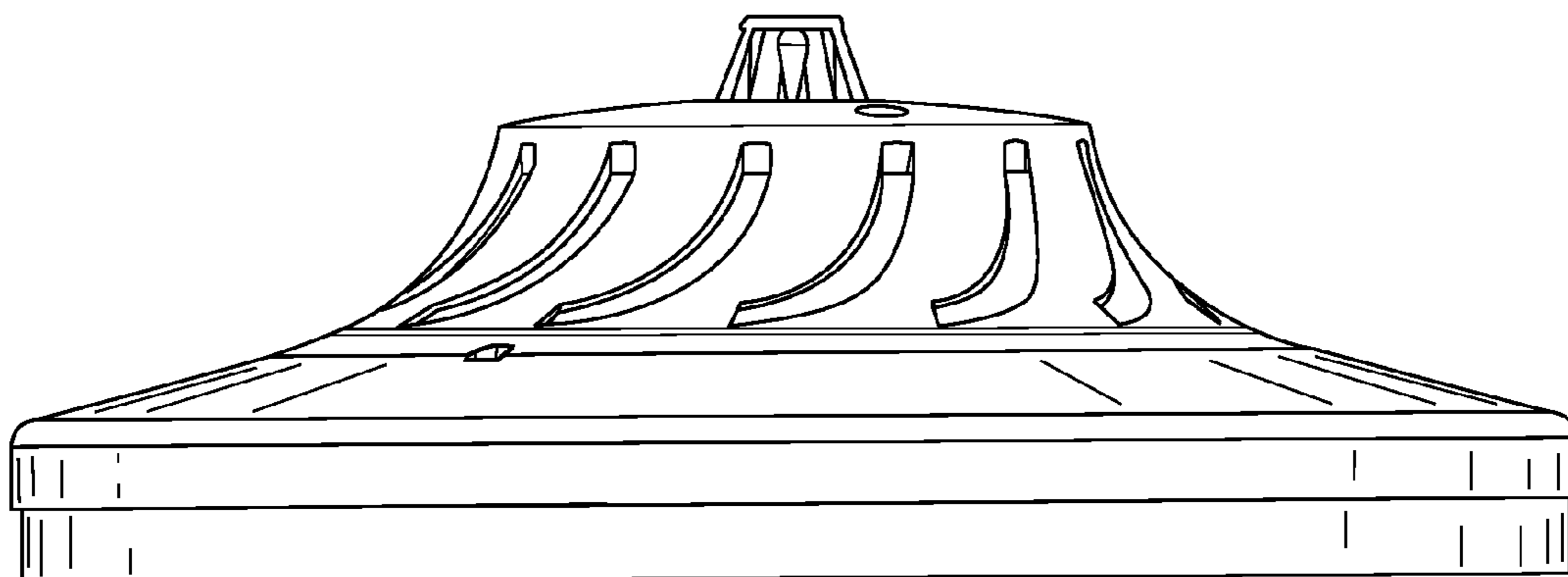


Fig. 5

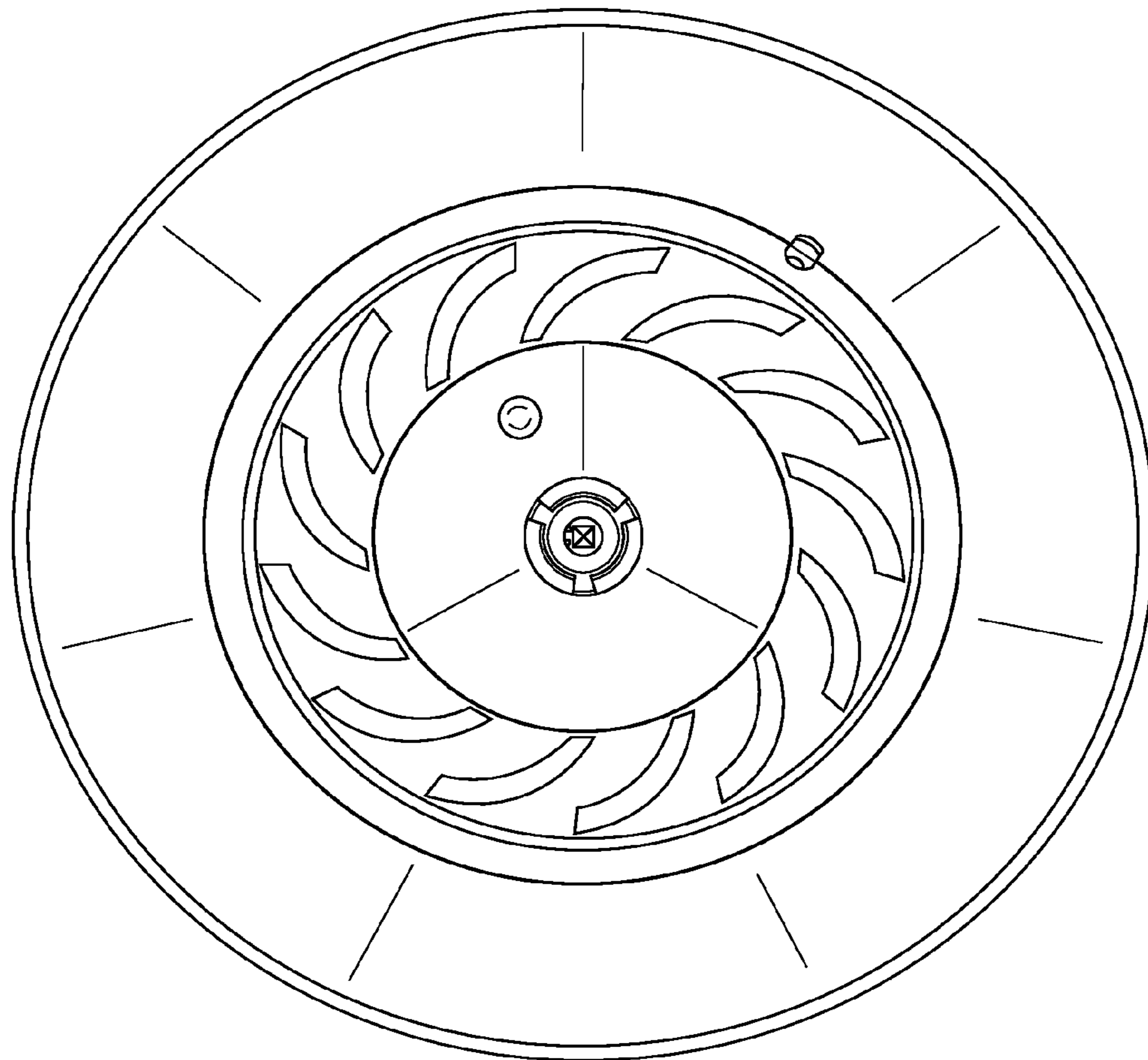


Fig. 6

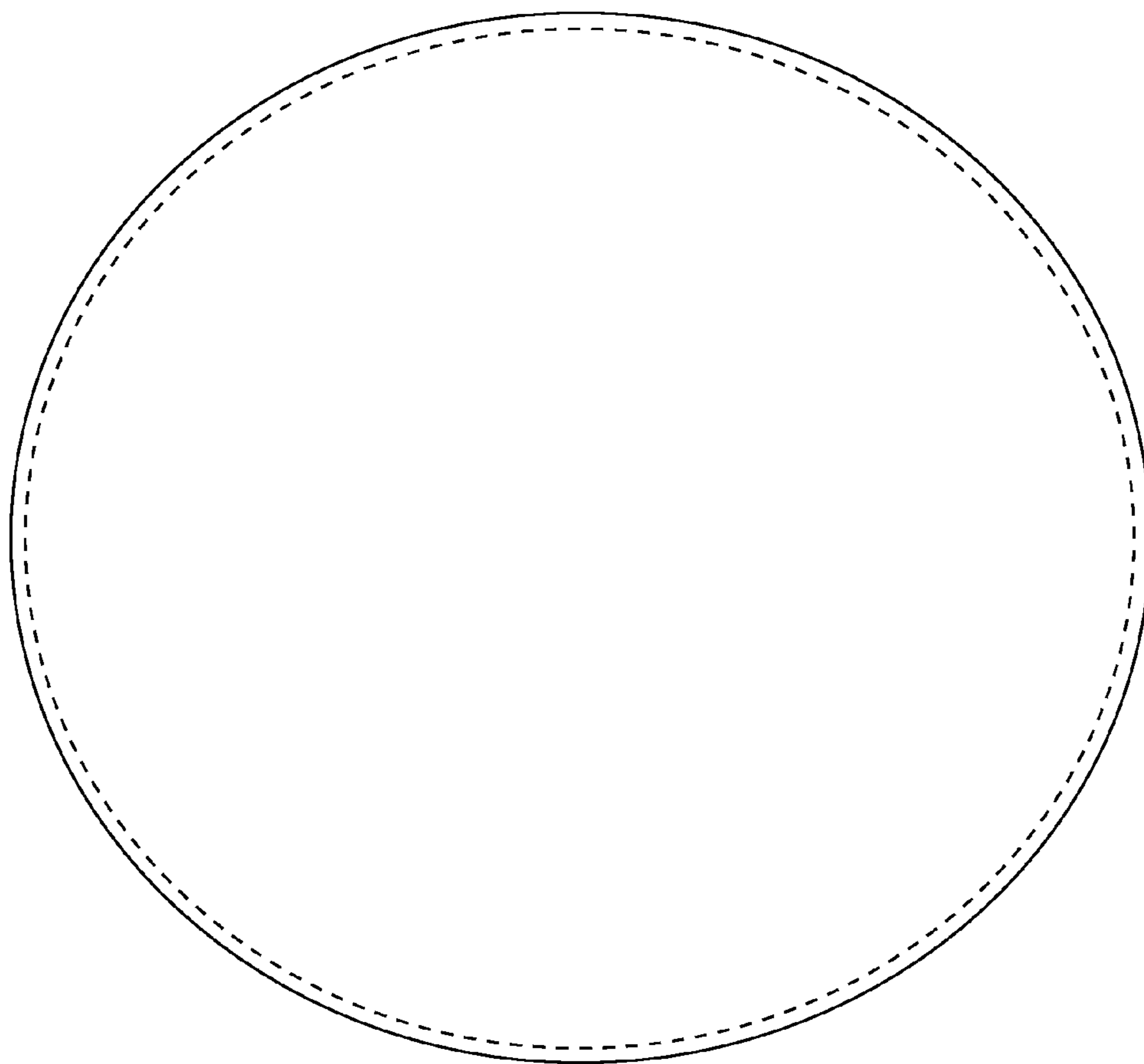


Fig. 7