



US00D653575S

(12) **United States Design Patent**  
**Treharne et al.**

(10) **Patent No.:** **US D653,575 S**

(45) **Date of Patent:** **\*\* Feb. 7, 2012**

(54) **ALARM**

(56) **References Cited**

(75) Inventors: **David Treharne**, Coventry (GB); **Peter Brigham**, Coventry (GB); **Simon McMahon**, Coventry (GB); **Adrian Game**, Coventry (GB)

U.S. PATENT DOCUMENTS

D271,670 S	*	12/1983	Takai et al.	.....	D10/106.5
D453,304 S	*	2/2002	Job	.....	D10/106.5
D608,671 S		1/2010	Treharne		
D622,170 S	*	8/2010	Cargile	.....	D10/106.5
D628,108 S	*	11/2010	Akdag et al.	.....	D10/106.5
D631,379 S	*	1/2011	Sutton	.....	D10/106.5

(73) Assignee: **Sprue Safety Products, Ltd.**, London (GB)

\* cited by examiner

(\*\*) Term: **14 Years**

*Primary Examiner* — George D Kirschbaum

(74) *Attorney, Agent, or Firm* — Barnes & Thornburg LLP

(21) Appl. No.: **29/378,978**

(57) **CLAIM**

What is claimed is the ornamental design for an alarm, as shown and described.

(22) Filed: **Nov. 12, 2010**

**DESCRIPTION**

(30) **Foreign Application Priority Data**

May 12, 2010 (EM) ..... 001213664

(51) **LOC (9) Cl.** ..... **10-05**

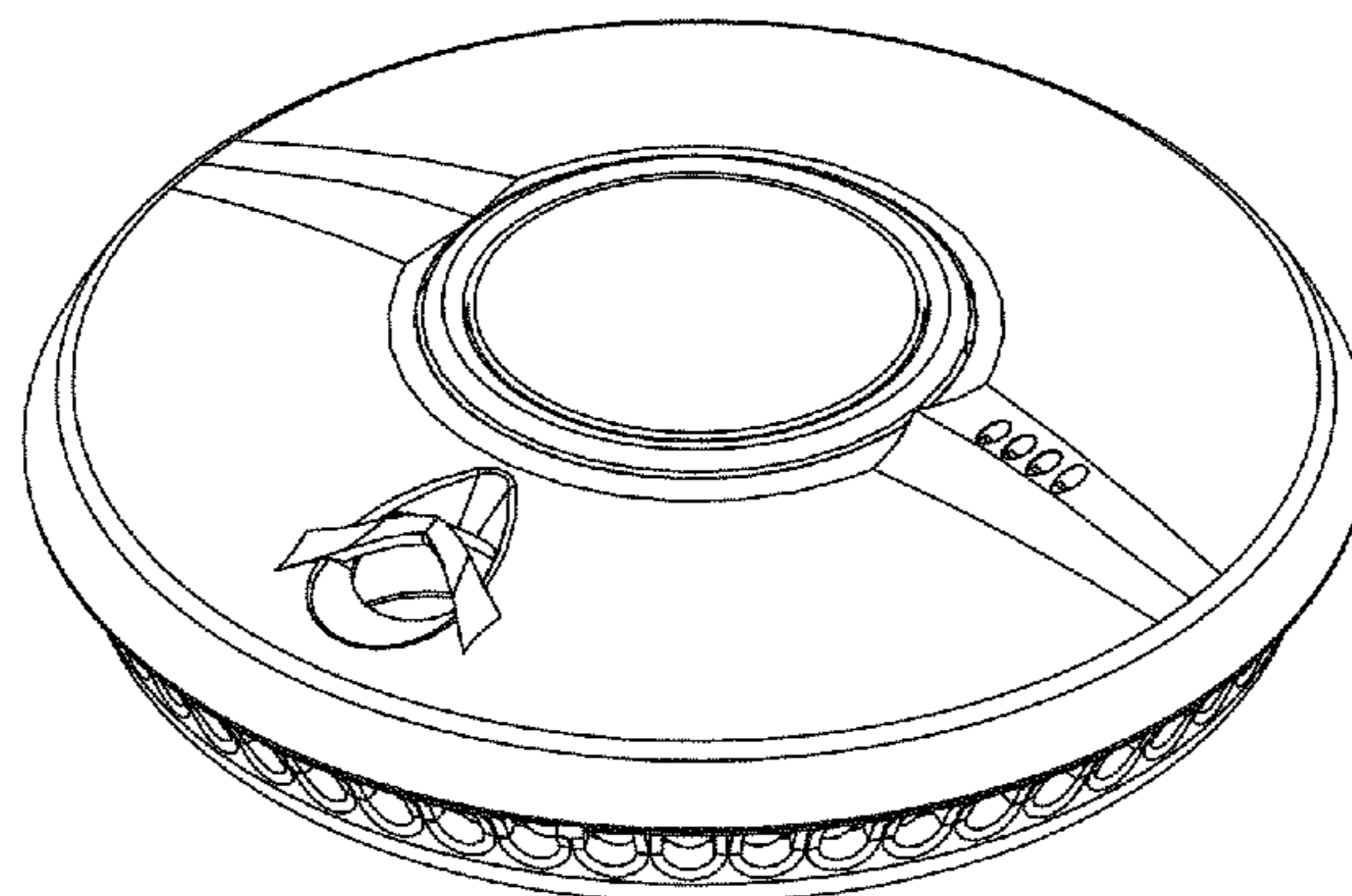
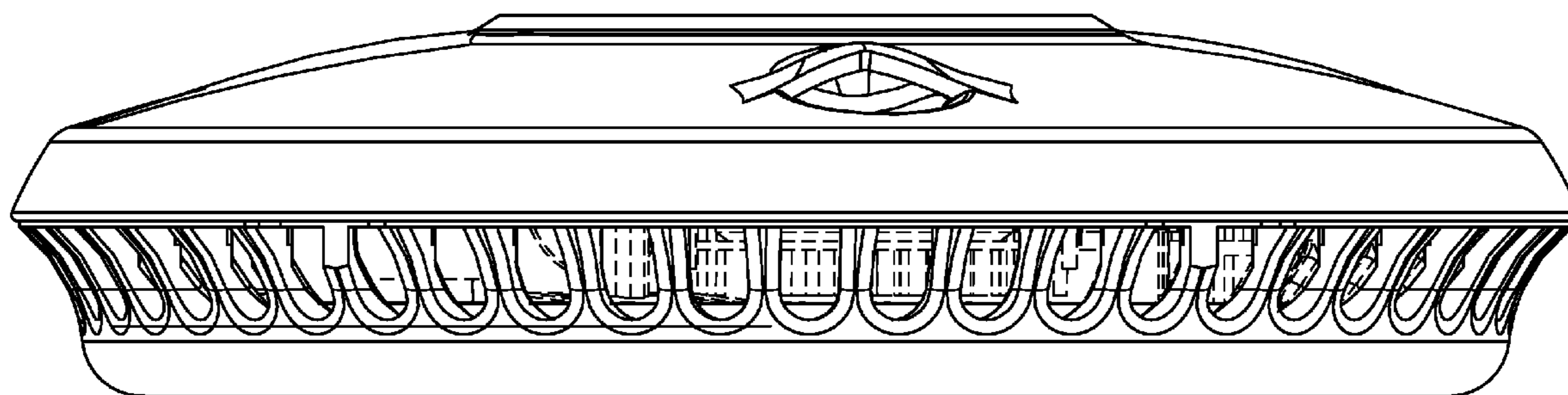
(52) **U.S. Cl.** ..... **D10/106.5**

(58) **Field of Classification Search** ..... D10/106.5,  
D10/106.2, 121; 340/628, 632, 634, 544,  
340/545, 555, 558, 571, 693.6; 493/333

FIG. 1 is a front elevation view of an alarm;  
FIG. 2 is a left side elevation view thereof;  
FIG. 3 is a perspective view thereof;  
FIG. 4 is a top view thereof;  
FIG. 5 is a rear elevation view thereof; and,  
FIG. 6 is a bottom view thereof.  
The broken lines depict unclaimed environmental subject matter.

See application file for complete search history.

**1 Claim, 6 Drawing Sheets**



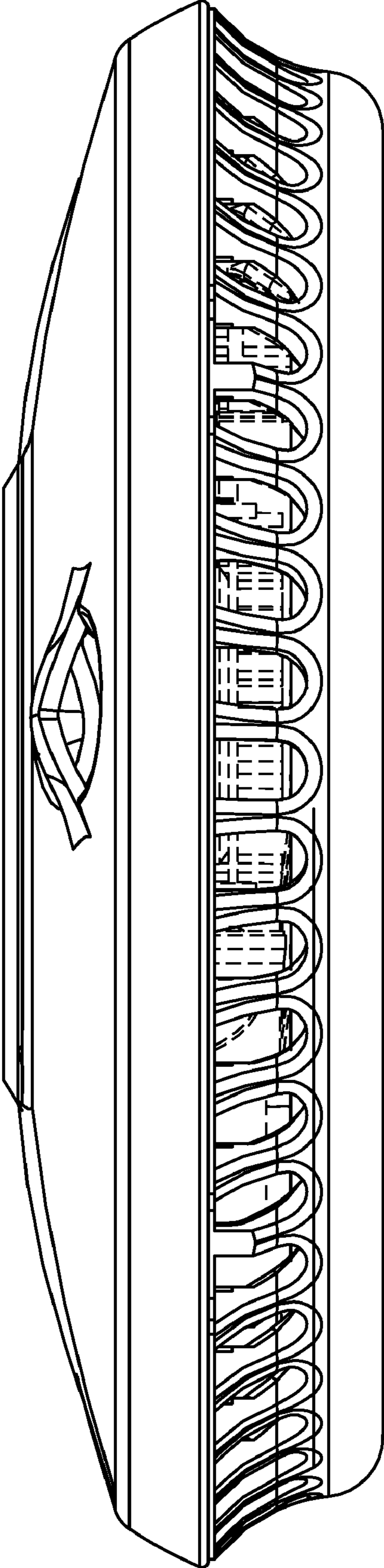


FIG. 1

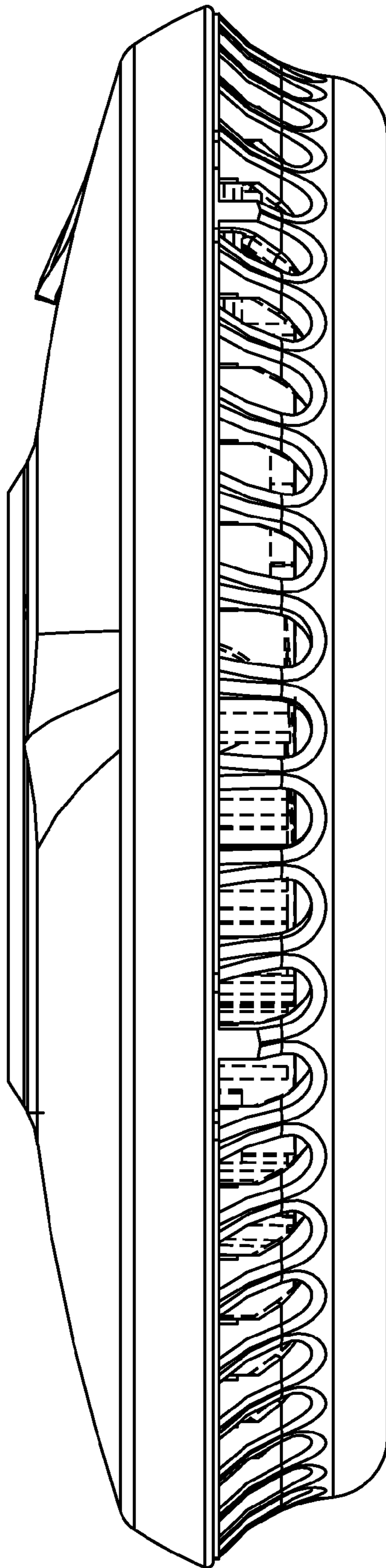


FIG. 2

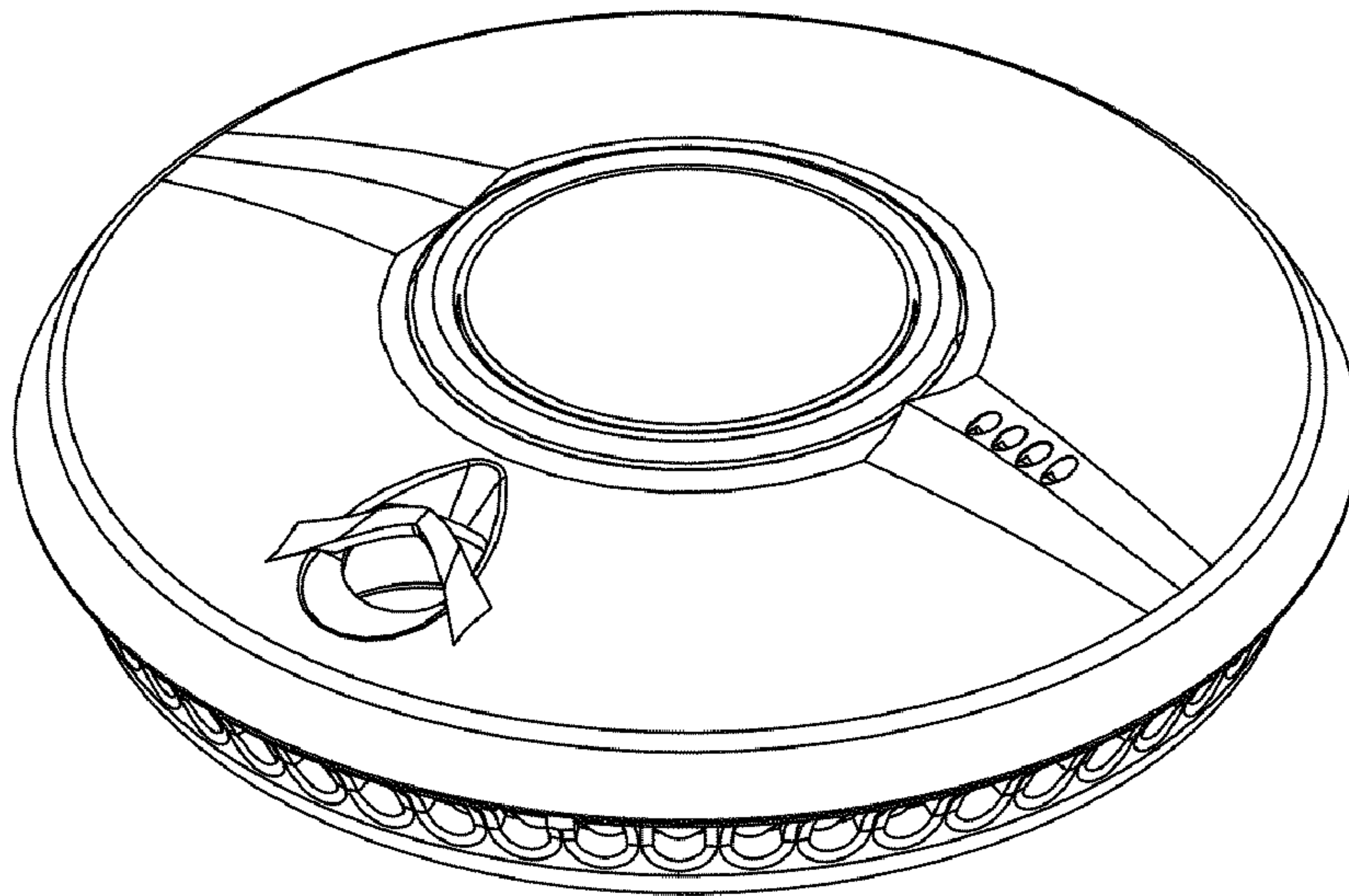


FIG. 3

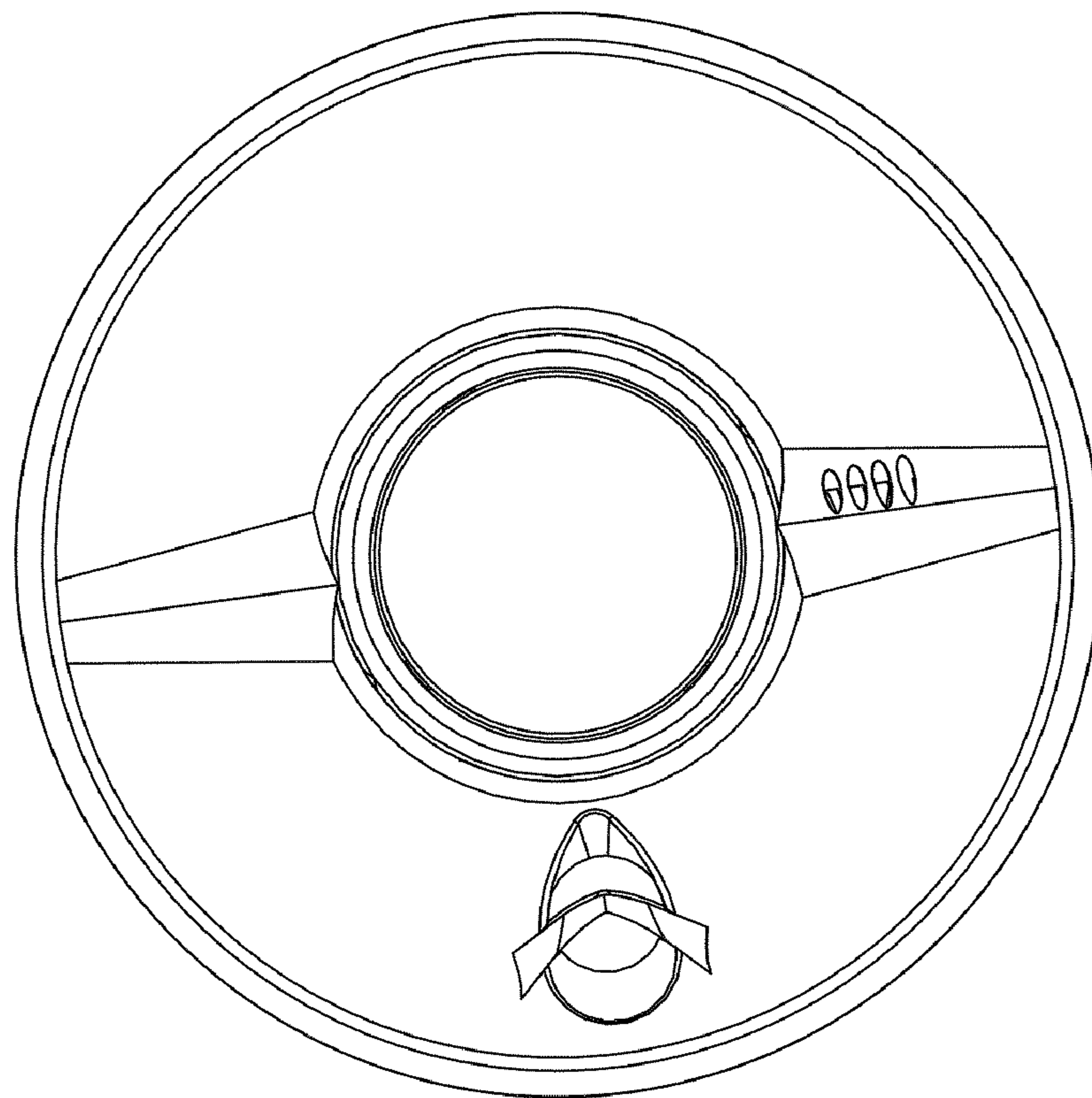


FIG. 4



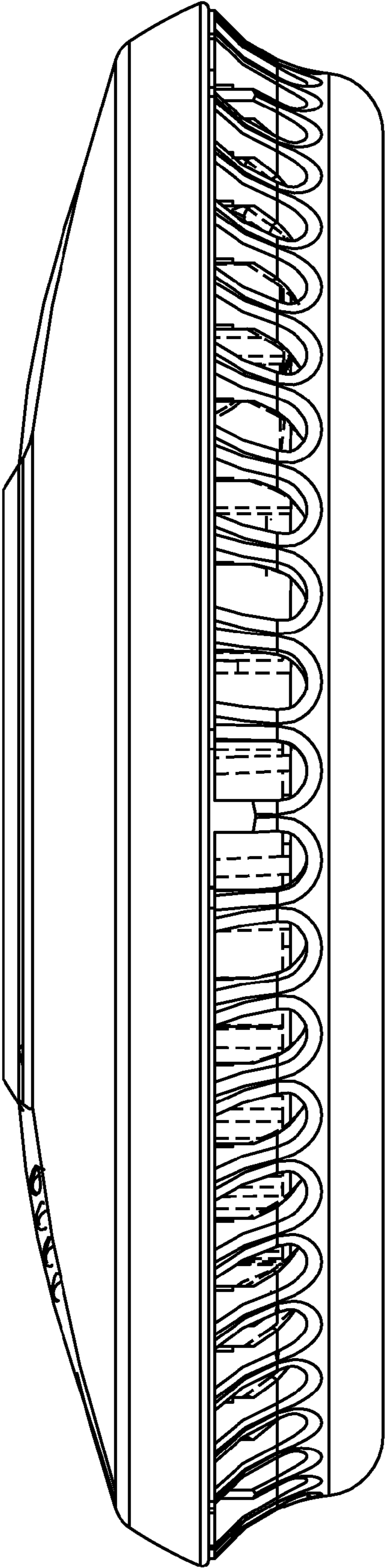
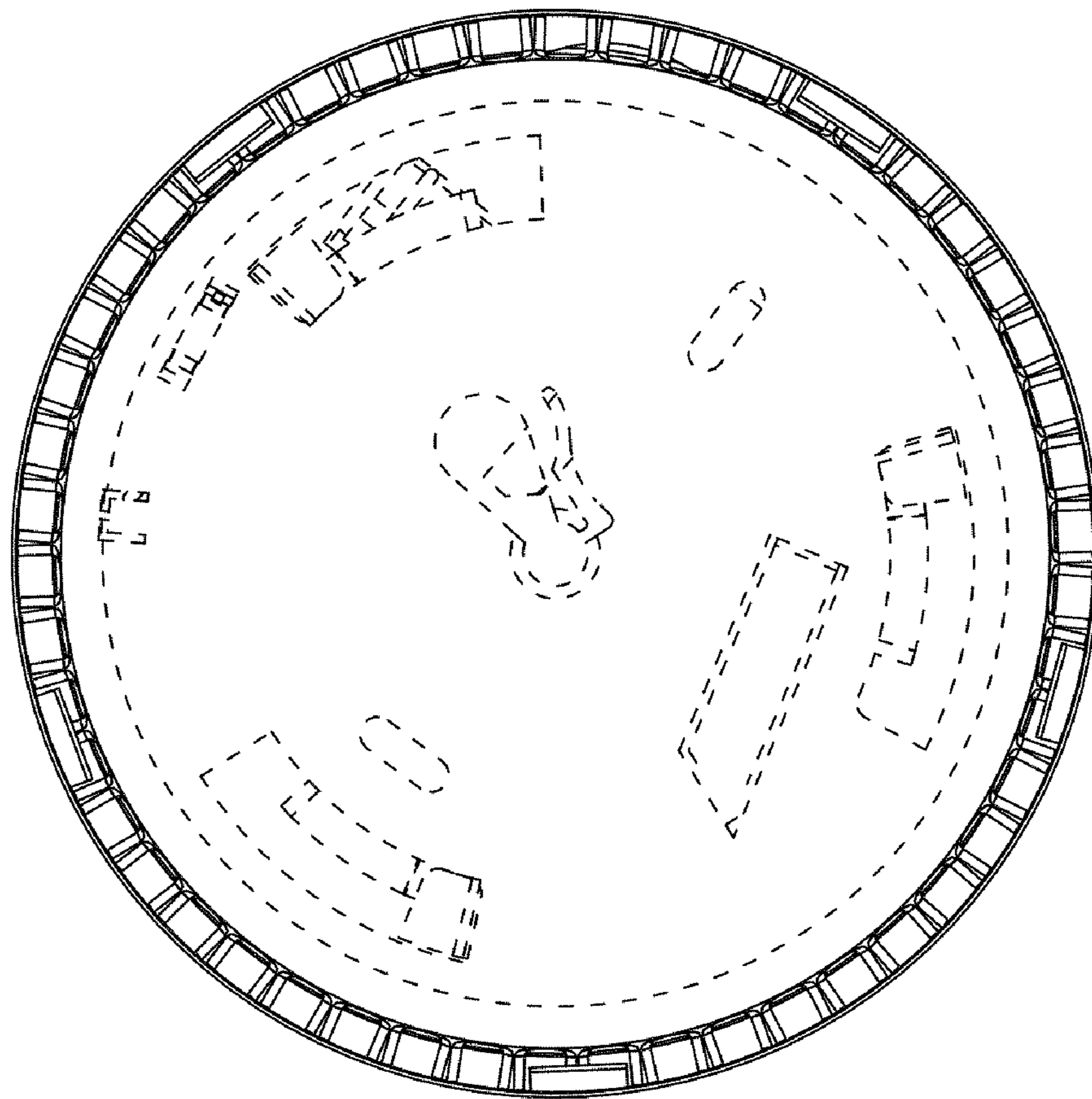


FIG. 5



**FIG. 6**