



US00D653572S

(12) **United States Design Patent**
Ohtani et al.

(10) **Patent No.:** **US D653,572 S**

(45) **Date of Patent:** **** Feb. 7, 2012**

(54) **DIGITAL DIAL GAUGE**

(75) Inventors: **Shigeru Ohtani**, Kawasaki (JP); **Kenji Iwamoto**, Kawasaki (JP); **Rie Arai**, Kawasaki (JP); **Aki Hiroshima**, Kawasaki (JP); **Yuji Oura**, Kawasaki (JP); **Takefumi Kiwada**, Nakatsugawa (JP); **Makoto Furuta**, Nakatsugawa (JP)

(73) Assignee: **Mitutoyo Corporation**, Kawasaki-shi (JP)

(**) Term: **14 Years**

(21) Appl. No.: **29/376,390**

(22) Filed: **Oct. 6, 2010**

(30) **Foreign Application Priority Data**

Jul. 15, 2010 (JP) 2010-017330
Jul. 15, 2010 (JP) 2010-017331

(51) **LOC (9) Cl.** **10-04**

(52) **U.S. Cl.** **D10/102; D10/85**

(58) **Field of Classification Search** D10/85,
D10/102; 73/431, 705, 715-722; 200/83,
200/83 B, 83 C, 83 L; 324/110-116, 119;
340/626, 688; 250/231.11

See application file for complete search history.

(56) **References Cited**

U.S. PATENT DOCUMENTS

4,577,511 A * 3/1986 Wetzel 73/756
D302,394 S * 7/1989 Merrell D10/85

D543,476 S * 5/2007 Barmettler et al. D10/85
D545,707 S * 7/2007 Barmettler et al. D10/85
D576,897 S * 9/2008 Quimby et al. D10/85

* cited by examiner

Primary Examiner — Antoine D Davis

(74) *Attorney, Agent, or Firm* — Oliff & Berridge, PLC

(57) **CLAIM**

We claim the ornamental design for a digital dial gauge, as shown and described.

DESCRIPTION

FIG. 1 is a front perspective view of one embodiment of a digital dial gauge.

FIG. 2 is a front view thereof.

FIG. 3 is a rear view thereof.

FIG. 4 is a left-side view thereof.

FIG. 5 is a right-side view thereof.

FIG. 6 is a top view thereof.

FIG. 7 is a bottom view thereof.

FIG. 8 is a front perspective view of another embodiment of a digital dial gauge.

FIG. 9 is a front view thereof.

FIG. 10 is a rear view thereof.

FIG. 11 is a left-side view thereof.

FIG. 12 is a right-side view thereof.

FIG. 13 is a top view thereof; and,

FIG. 14 is a bottom view thereof.

The broken lines depict environmental subject matter only and form no part of the claimed design.

1 Claim, 14 Drawing Sheets

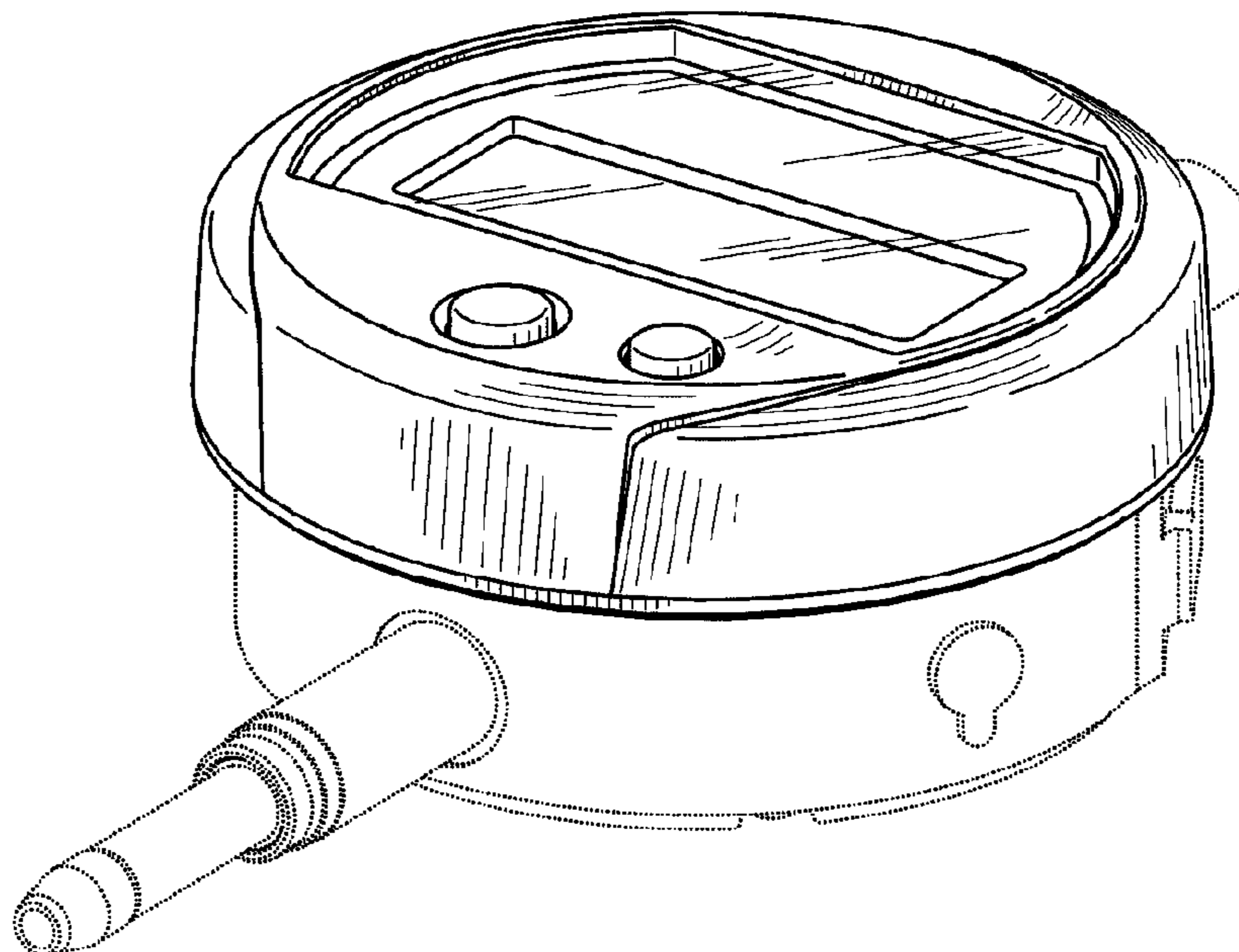


FIG. 1

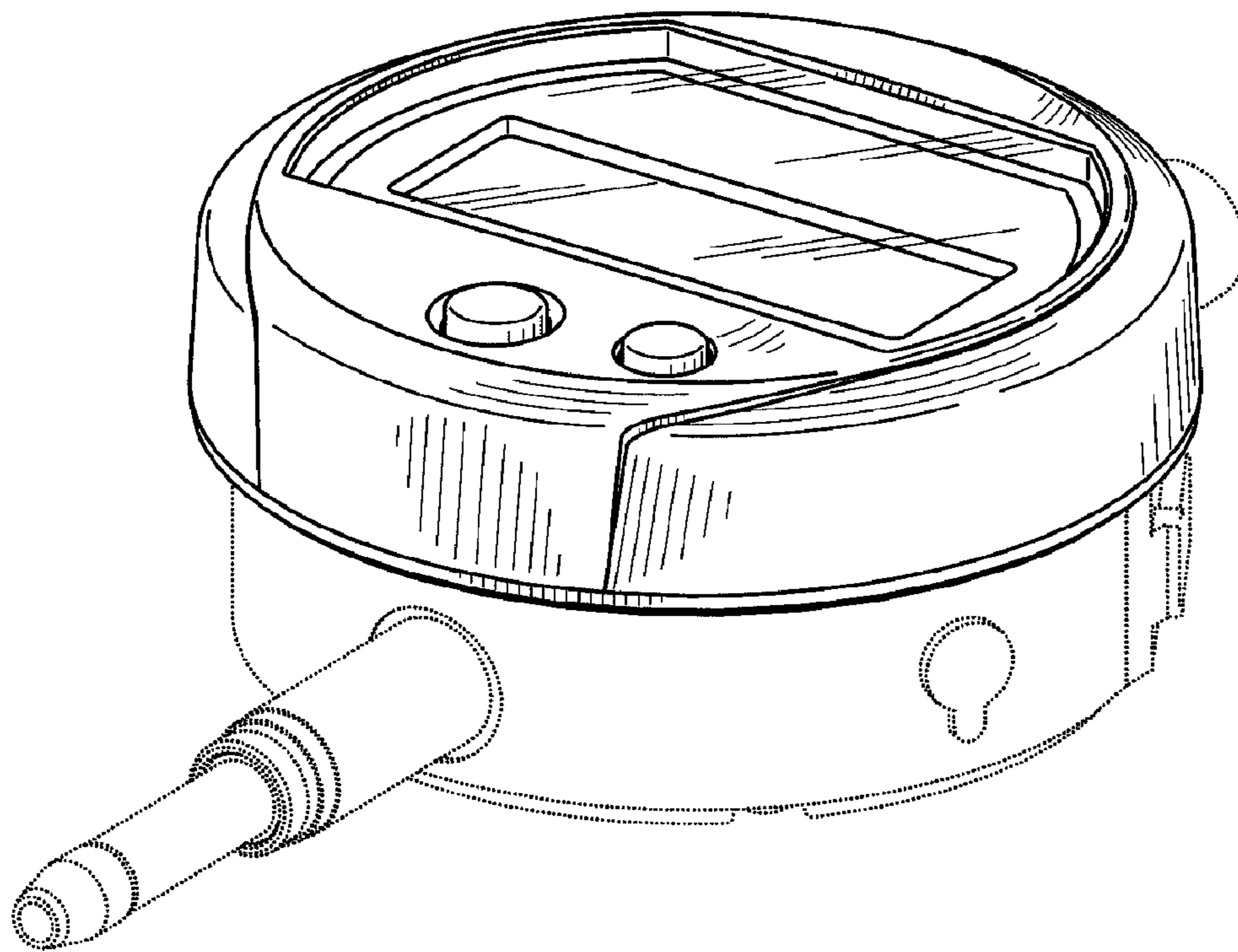


FIG. 2

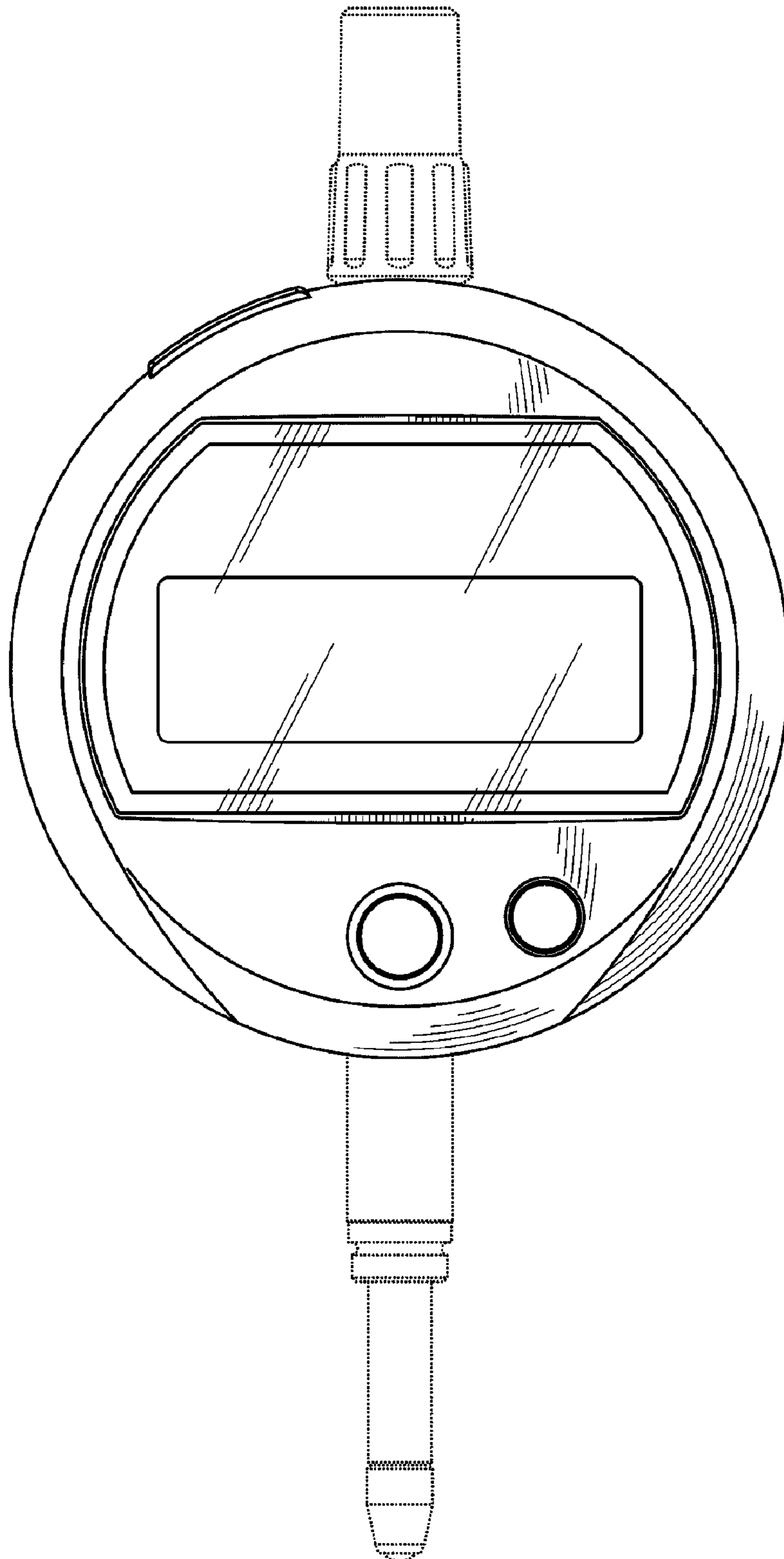


FIG. 3

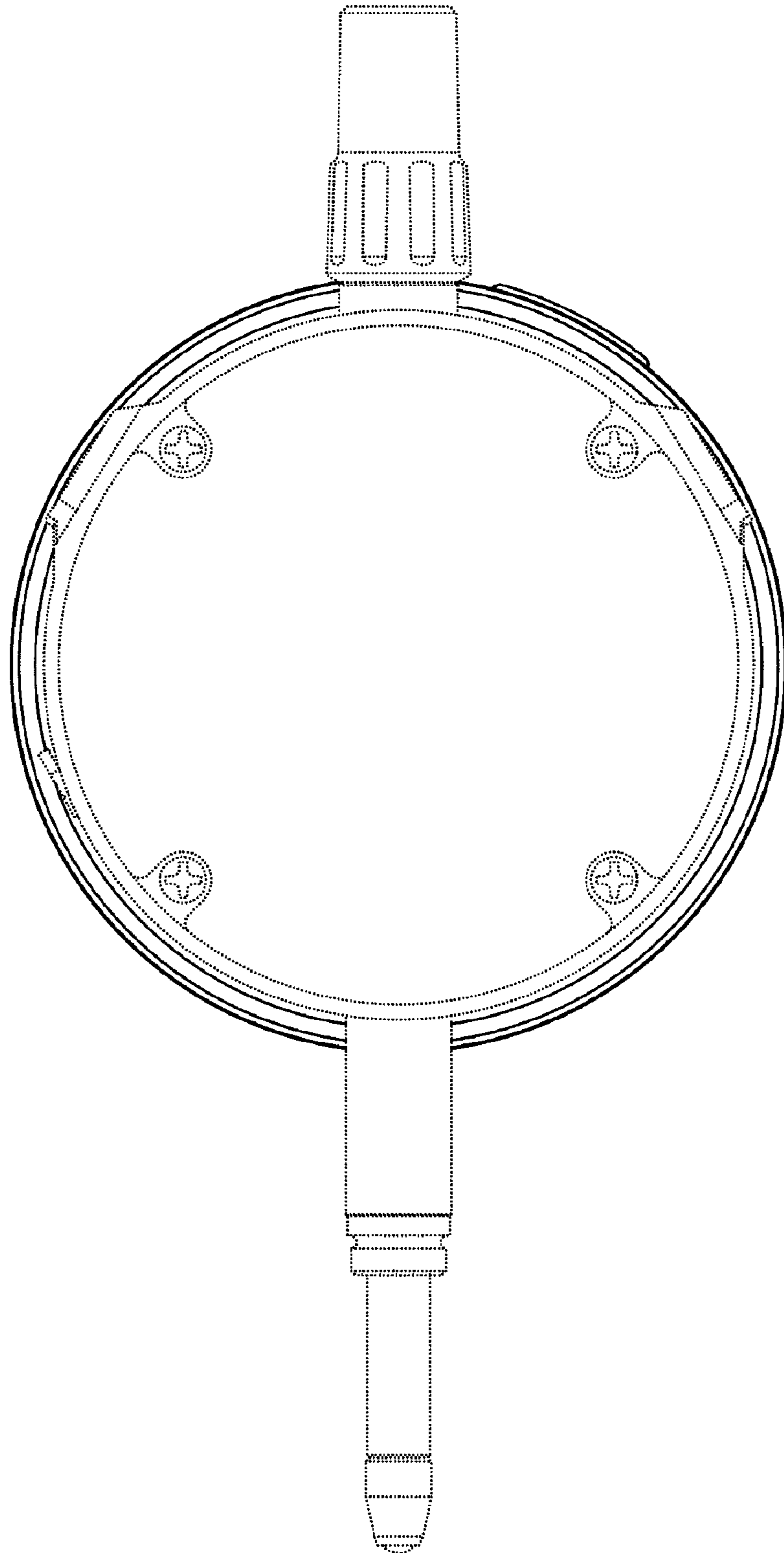


FIG. 4

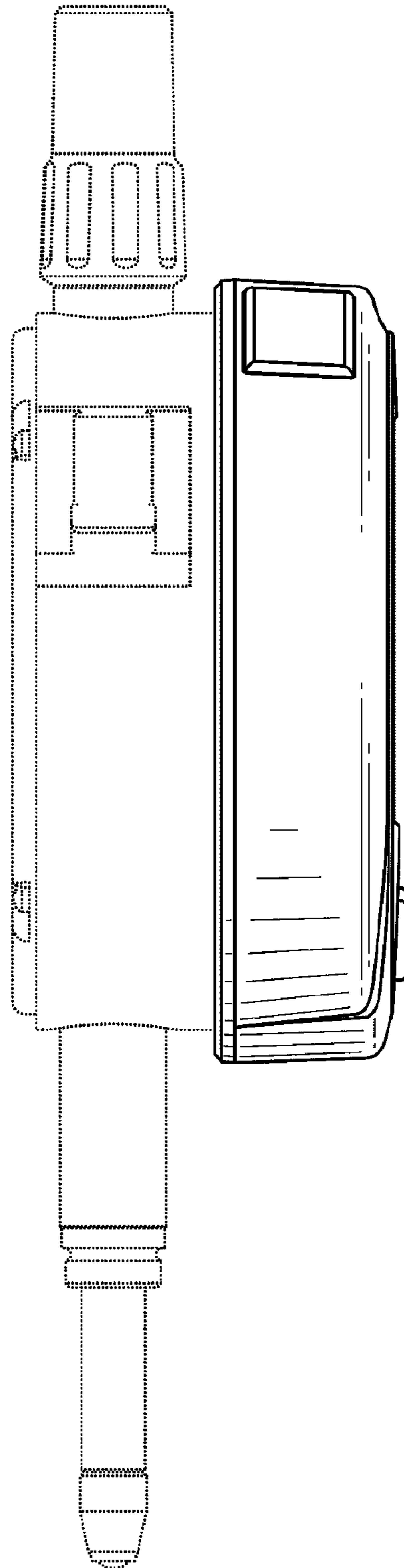


FIG. 5

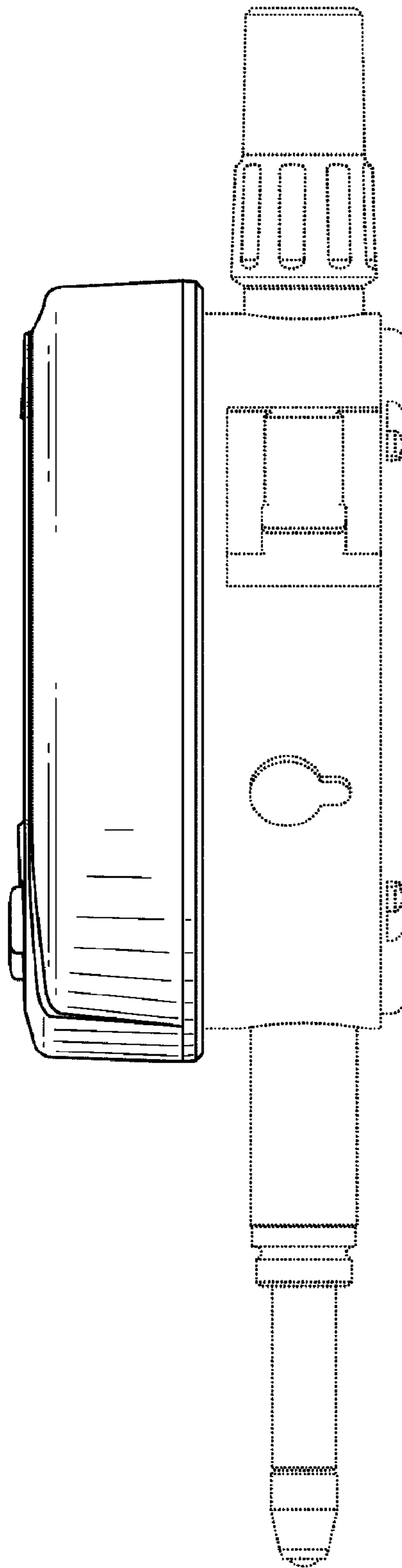


FIG. 6

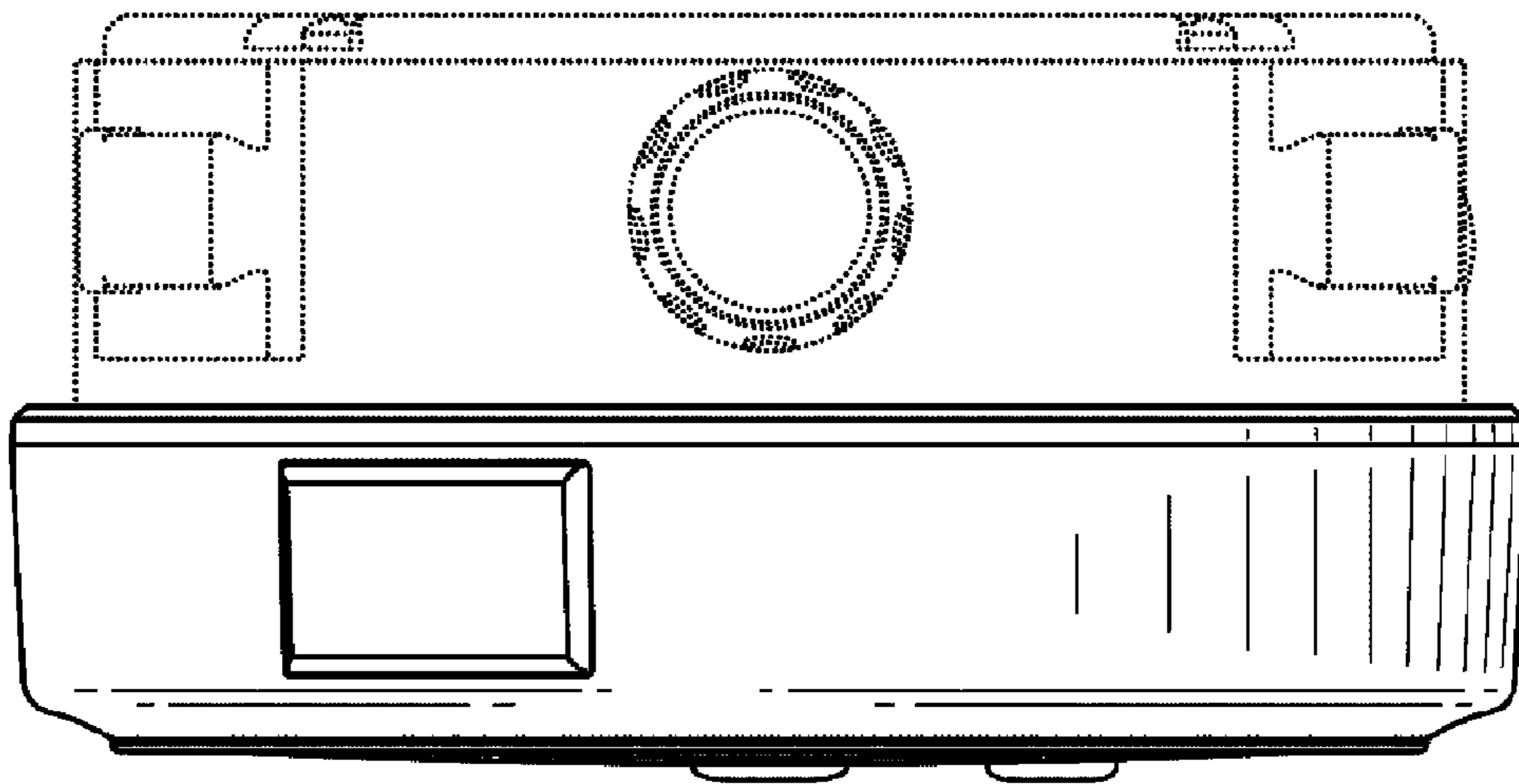


FIG. 7

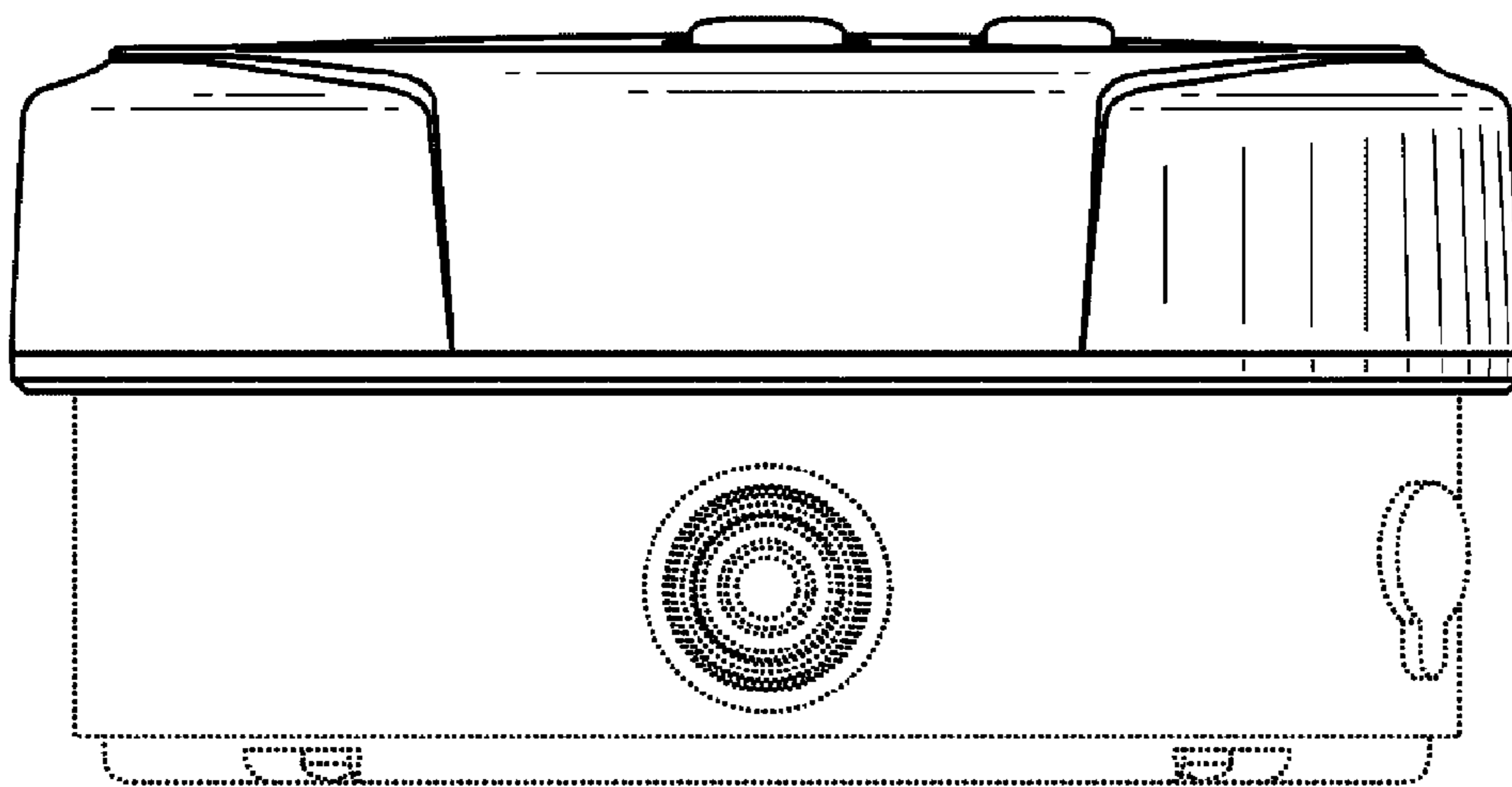


FIG. 8

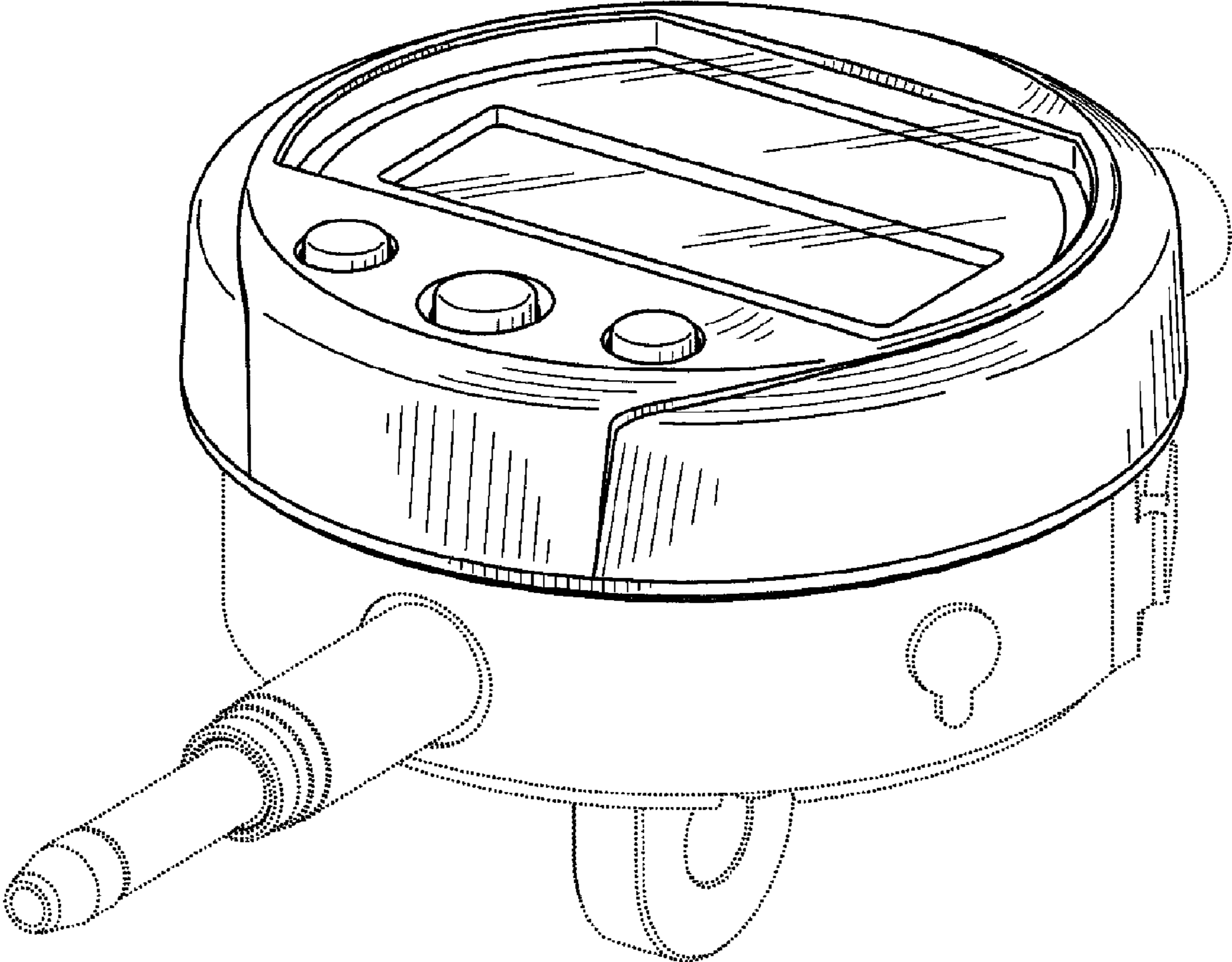


FIG. 9

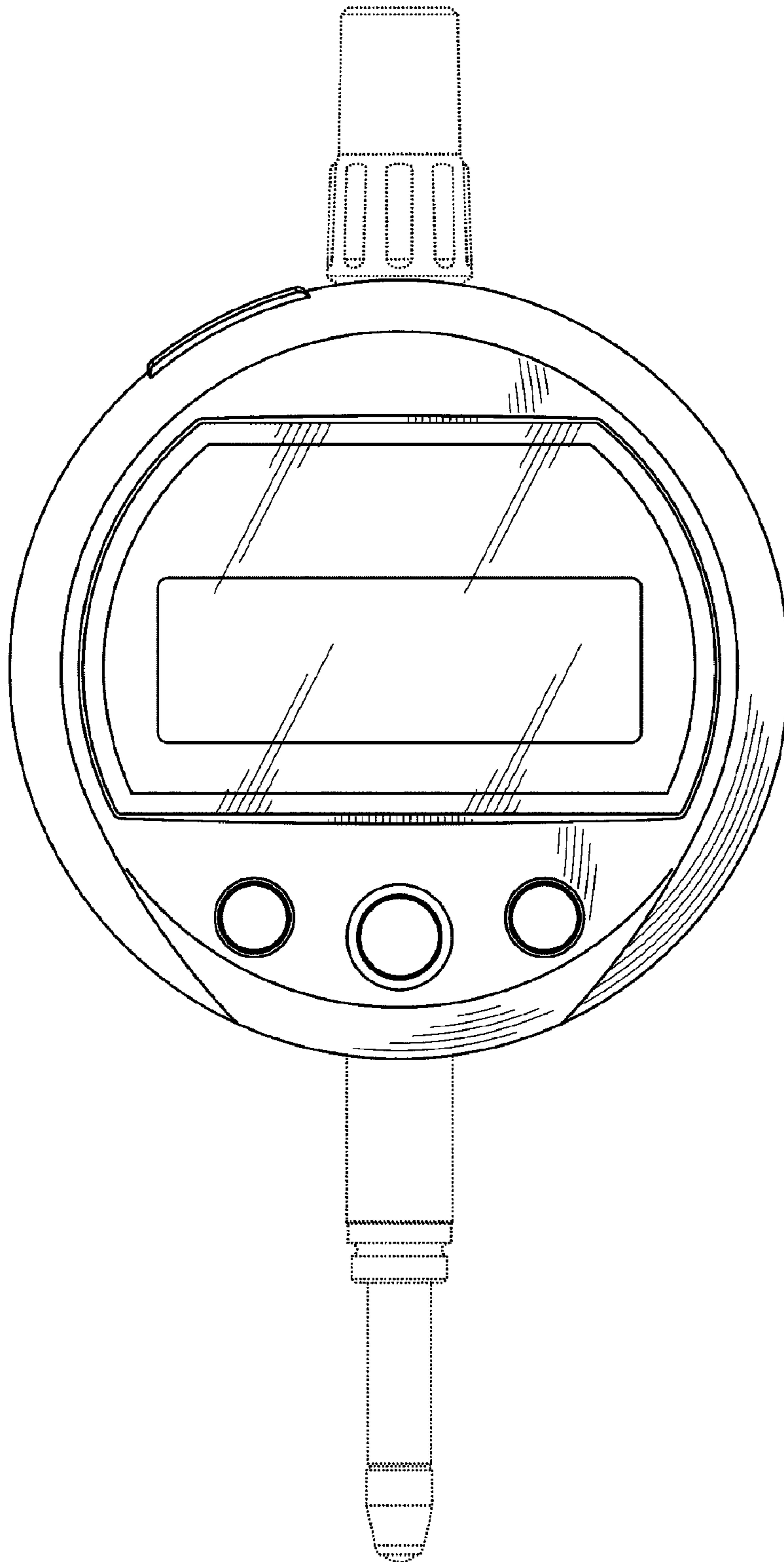


FIG. 10

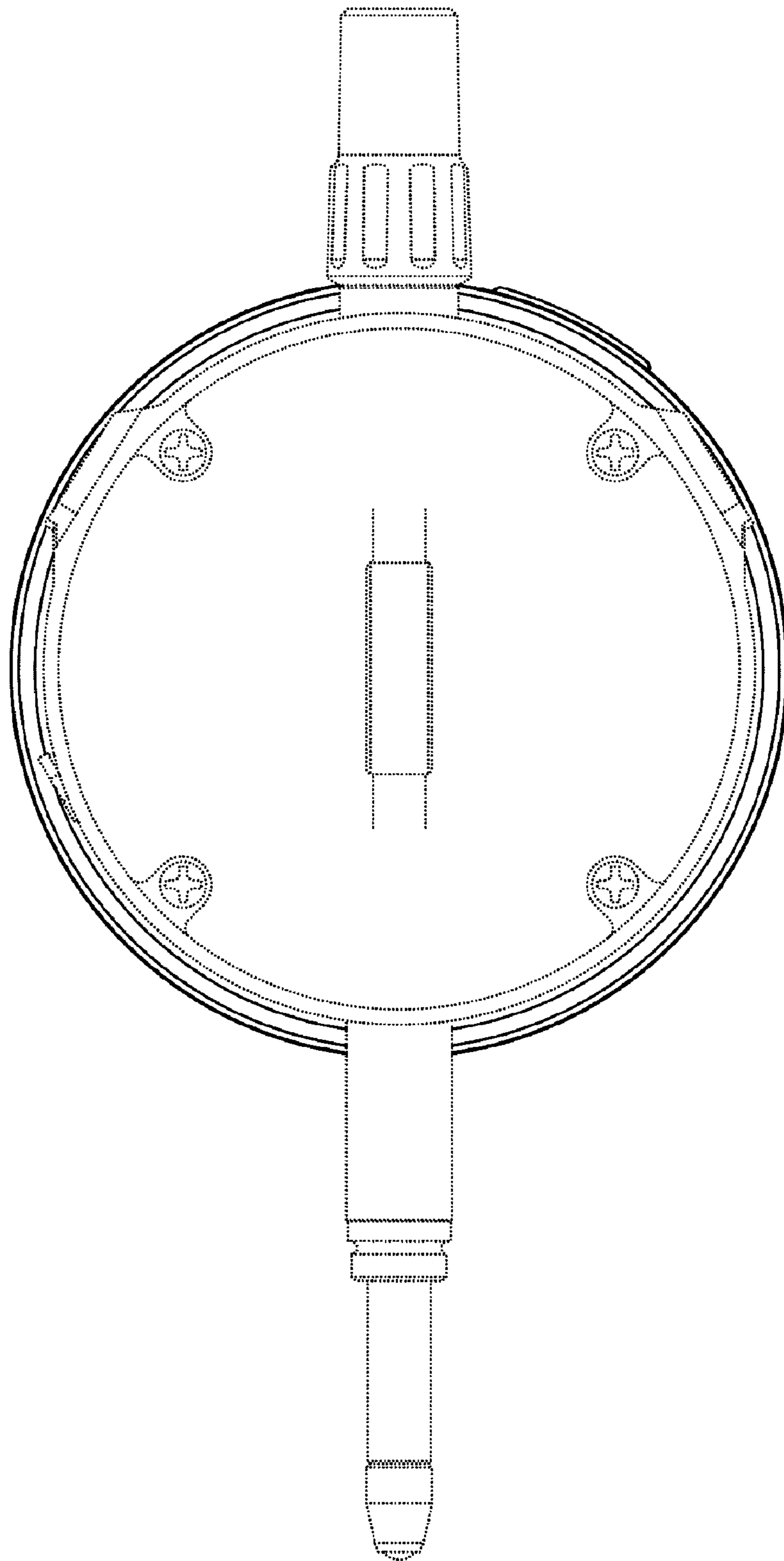


FIG. 11

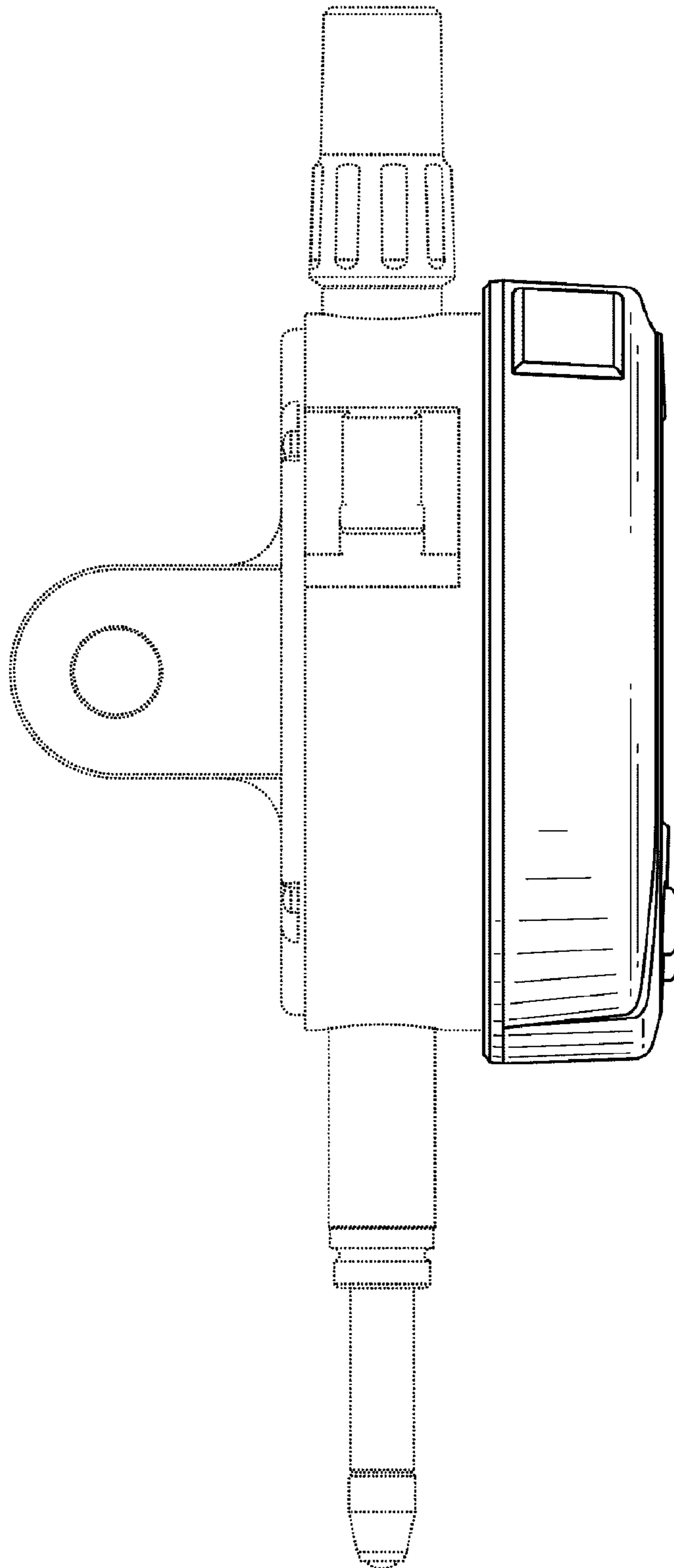


FIG. 12

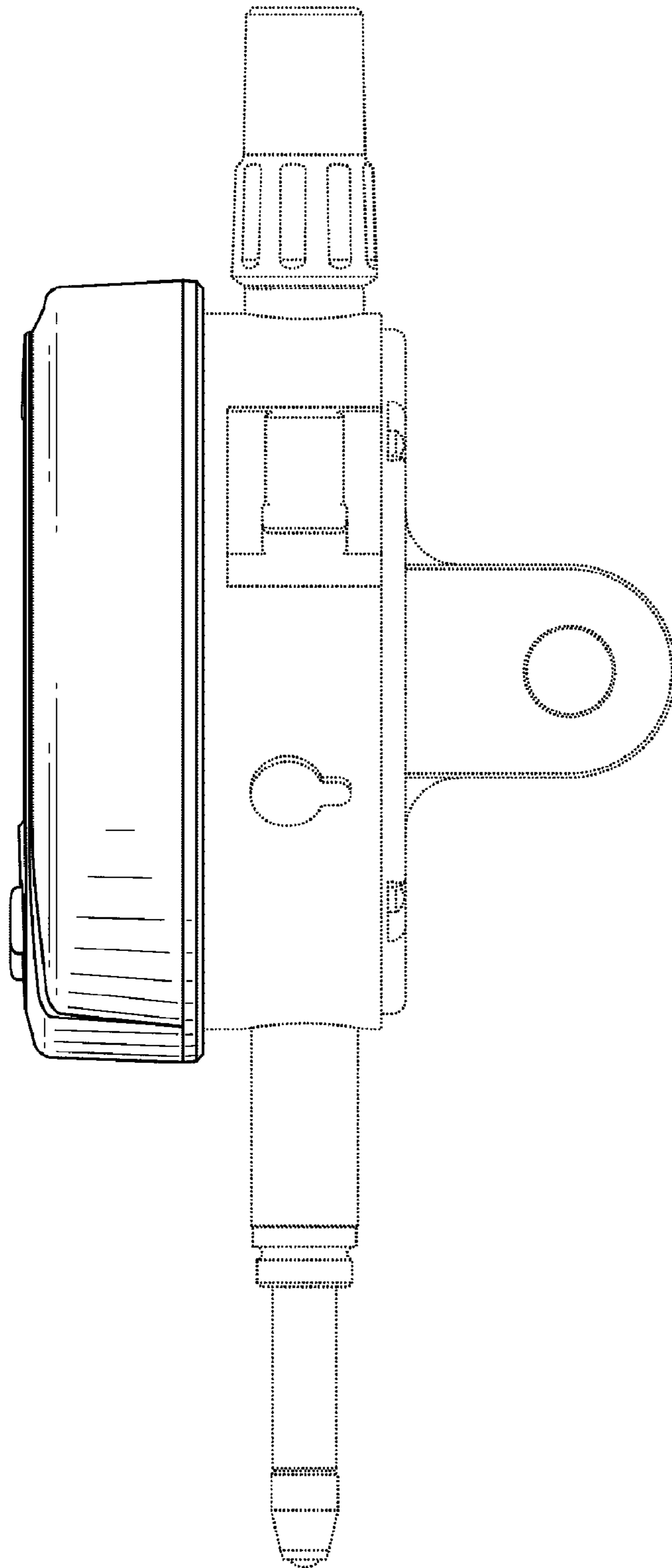


FIG. 13

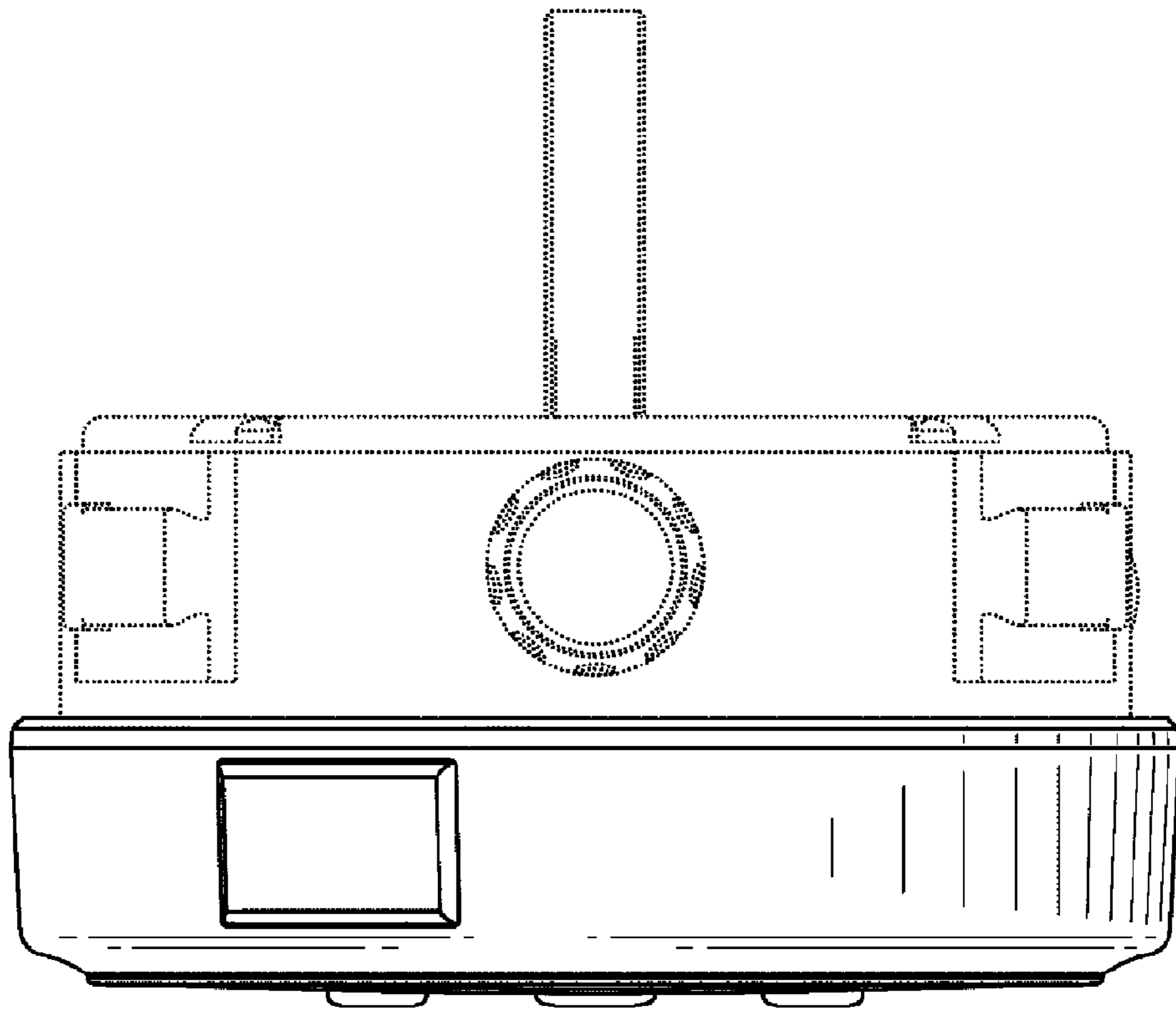


FIG. 14

