

US00D653571S

(12) **United States Design Patent**
Kobayakawa

(10) **Patent No.:** **US D653,571 S**

(45) **Date of Patent:** **** Feb. 7, 2012**

(54) **SCALE**

(75) Inventor: **Tatsutoshi Kobayakawa**, Tokyo (JP)

(73) Assignee: **Tanita Corporation**, Tokyo (JP)

(**) Term: **14 Years**

(21) Appl. No.: **29/376,916**

(22) Filed: **Oct. 14, 2010**

(30) **Foreign Application Priority Data**

Jun. 28, 2010 (JP) 2010-15671

(51) **LOC (9) Cl.** **10-04**

(52) **U.S. Cl.** **D10/92**

(58) **Field of Classification Search** D10/92,
D10/93; 177/4, 25.12-25.16, 177, 199, 210 R,
177/238-245, DIG. 3, 262, 210 C, 30, 126-127;
324/692, 512, 515, 806; 600/506, 547

See application file for complete search history.

(56) **References Cited**

U.S. PATENT DOCUMENTS

D359,248 S * 6/1995 Vogel et al. D10/92
D546,221 S * 7/2007 Barmes et al. D10/91
D547,218 S * 7/2007 Barmes et al. D10/91
2008/0277169 A1* 11/2008 Hong 177/180
* cited by examiner

Primary Examiner — Antoine D Davis

(74) *Attorney, Agent, or Firm* — Holtz, Holtz, Goodman & Chick, P.C.

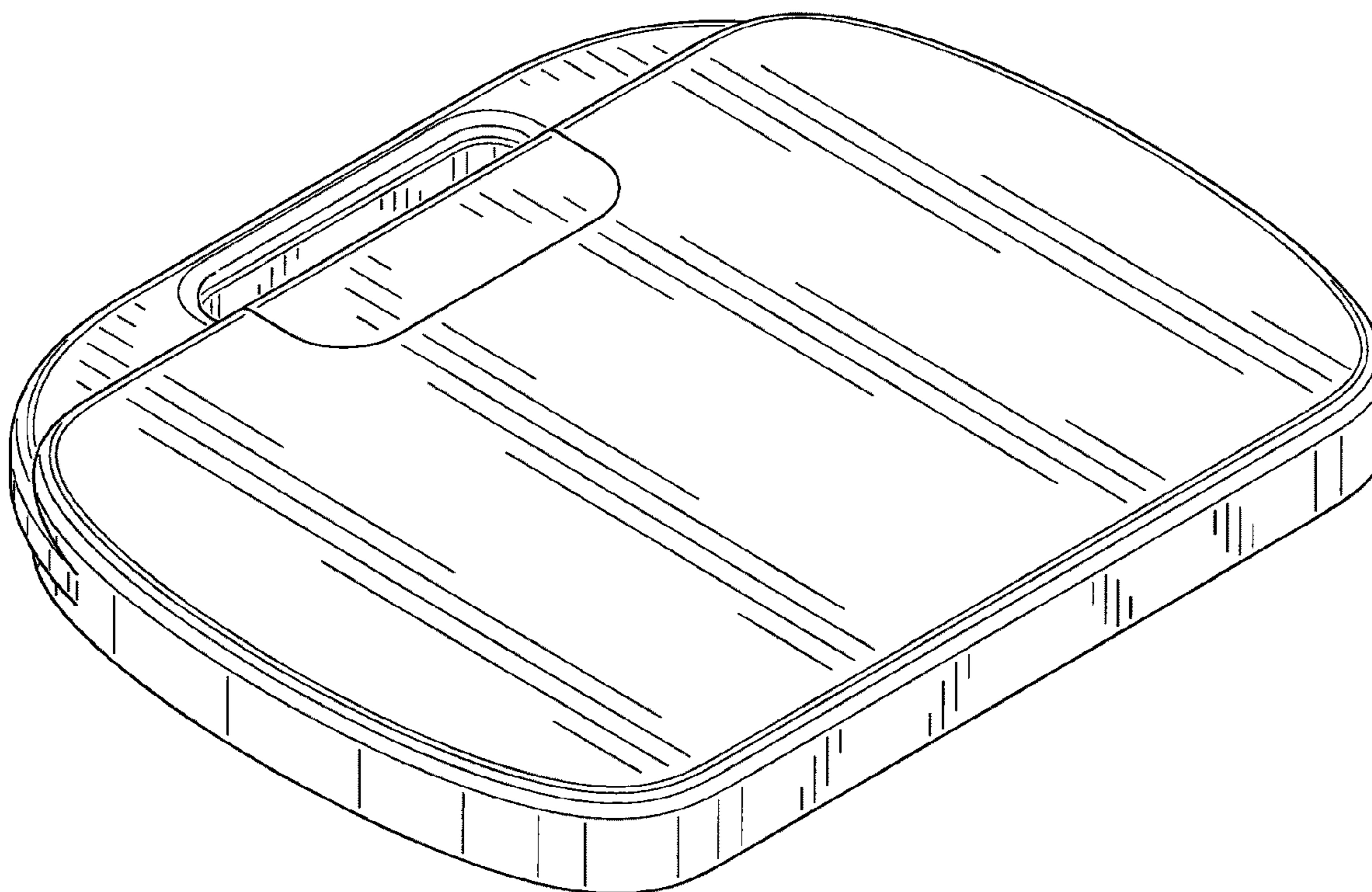
(57) **CLAIM**

The ornamental design for a scale, as shown.

DESCRIPTION

FIG. 1 is a front, left side, bottom perspective view of a scale showing my new design;
FIG. 2 is a front elevational view thereof;
FIG. 3 is a rear elevational view thereof;
FIG. 4 is a left side view thereof;
FIG. 5 is a right side view thereof;
FIG. 6 is a top plan view thereof; and,
FIG. 7 is a bottom plan view thereof.

1 Claim, 6 Drawing Sheets



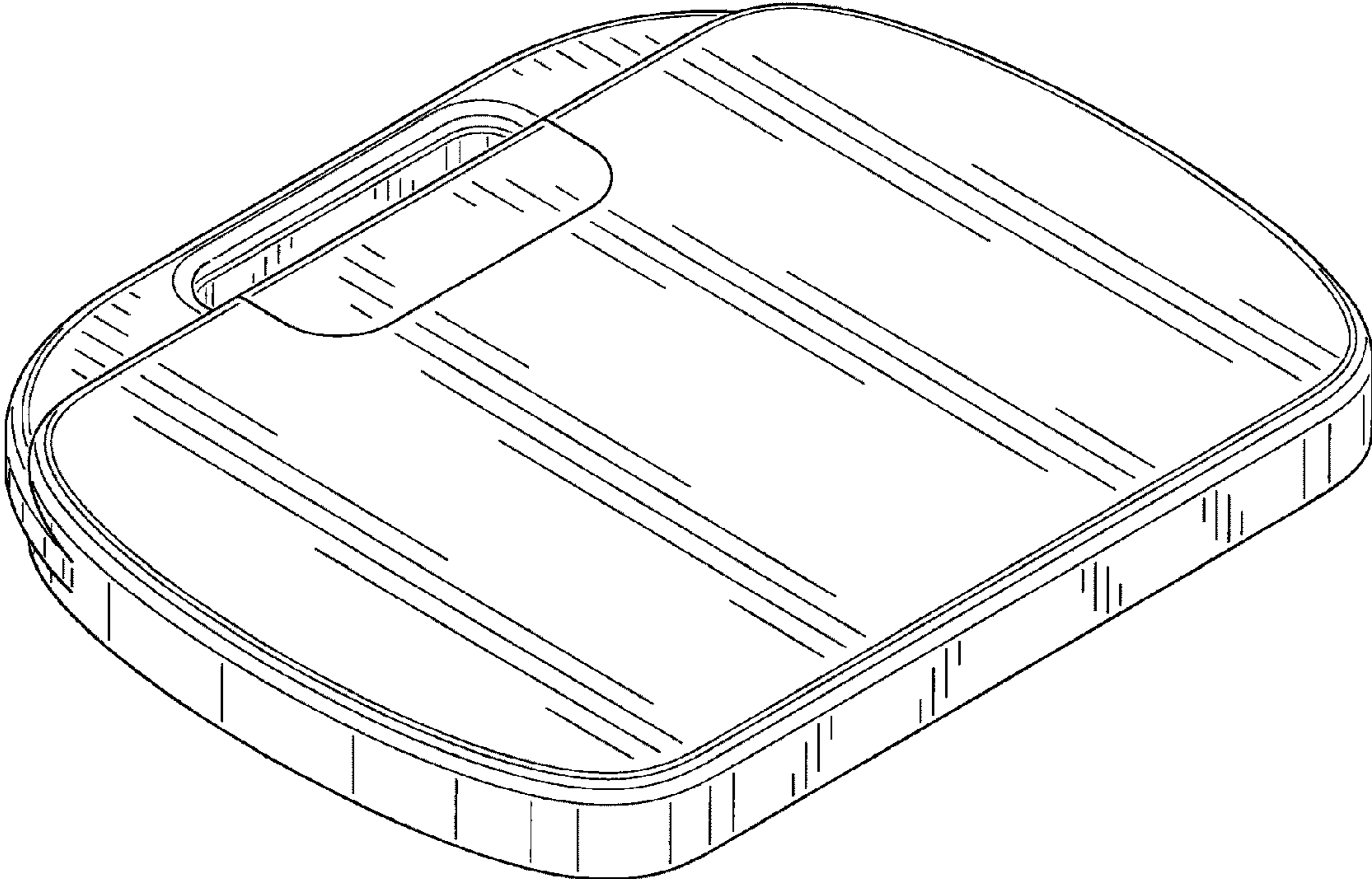


FIG. 1



FIG. 2

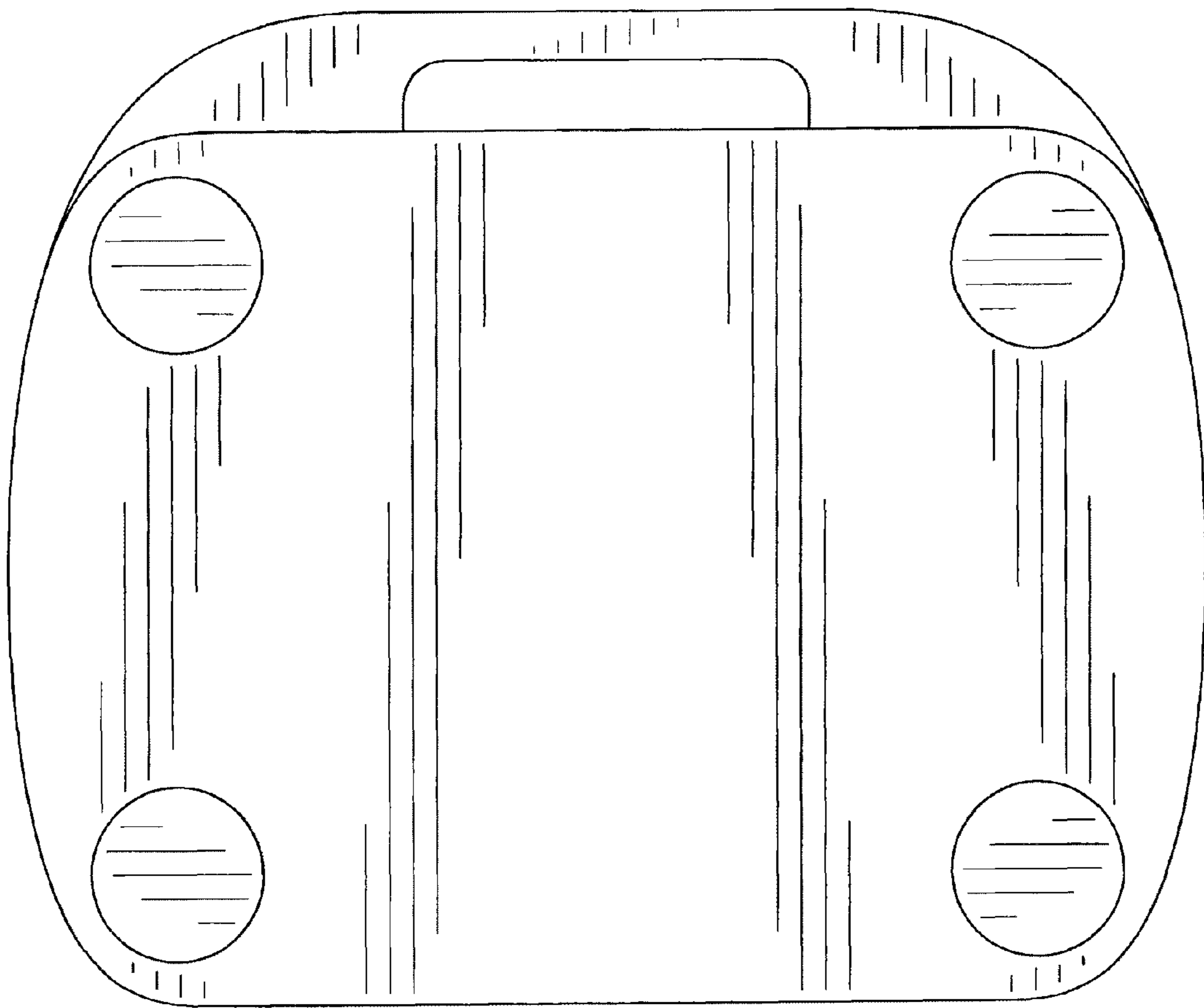


FIG. 3

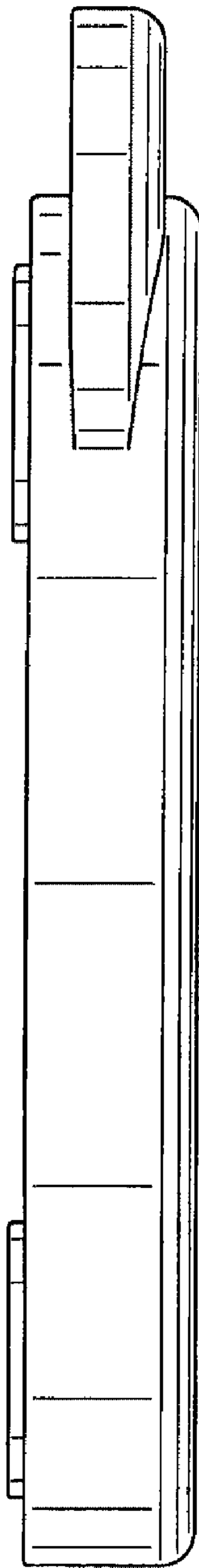


FIG. 4

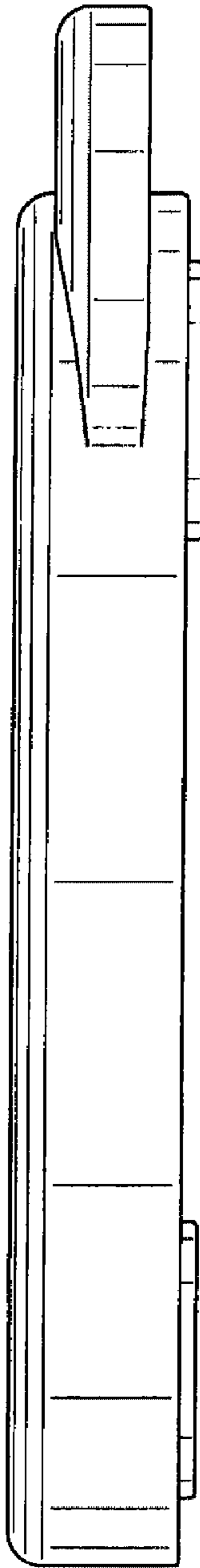


FIG. 5

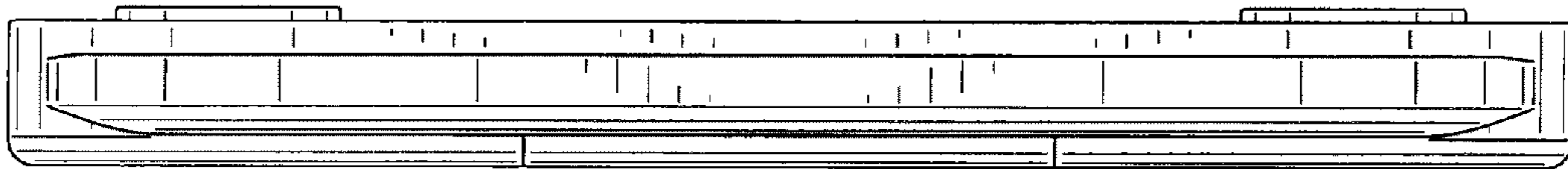


FIG. 6

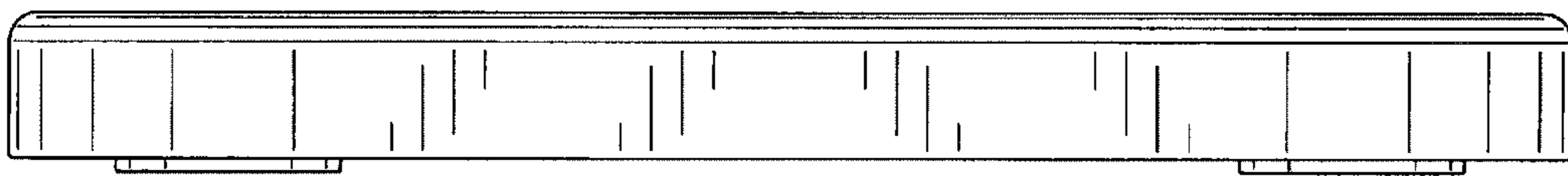


FIG. 7