



US00D653567S

(12) **United States Design Patent**
Yamada

(10) **Patent No.:** **US D653,567 S**
(45) **Date of Patent:** **** Feb. 7, 2012**

(54) **SENSOR TRANSMITTER FOR MEASURING AIR PRESSURE OF A TIRE**

2010/0064792 A1* 3/2010 Chuang et al. 73/146.8
2010/0319447 A1* 12/2010 Uh et al. 73/146.8
2011/0209537 A1* 9/2011 Zhang 73/146.8

(75) Inventor: **Hirohisa Yamada**, Yamagata (JP)

OTHER PUBLICATIONS

(73) Assignee: **Pacific Industrial Co., Ltd.**, Ogaki-shi, Gifu-ken (JP)

Website: <http://techon.nikkeibp.co.jp/article/WORD/20060418/116228/>, posted by Nikkei Business Publications on Mar. 27, 2006.

(**) Term: **14 Years**

* cited by examiner

(21) Appl. No.: **29/374,331**

Primary Examiner — Antoine D Davis

(22) Filed: **Jul. 29, 2011**

(74) *Attorney, Agent, or Firm* — Faegre & Benson LLP

(30) **Foreign Application Priority Data**

(57) **CLAIM**

The ornamental design for a sensor transmitter for measuring air pressure of a tire, as shown and described.

Mar. 30, 2011 (JP) 2011-007248

DESCRIPTION

(51) **LOC (9) Cl.** **10-04**

FIG. 1 is a front, top, and right side perspective view of a sensor transmitter for measuring air pressure of a tire showing my new design;

(52) **U.S. Cl.** **D10/86**

FIG. 2 is a front, bottom, and left side perspective view thereof;

(58) **Field of Classification Search** D10/86;
73/732, 744, 742, 717, 741, 146.3, 146.8

FIG. 3 is a front view thereof;

See application file for complete search history.

FIG. 4 is a top plan view thereof;

(56) **References Cited**

U.S. PATENT DOCUMENTS

2007/0186637 A1* 8/2007 Blossfeld 73/146.8
2007/0295076 A1* 12/2007 Blossfeld et al. 73/146.8
2008/0250852 A1* 10/2008 Capdepon et al. 73/146.8
2008/0257028 A1* 10/2008 Liao 73/146.8
2008/0289406 A1* 11/2008 Benatti et al. 73/146.3
2010/0024539 A1* 2/2010 Hamm et al. 73/146.5

FIG. 5 is a bottom plan view thereof; and,

FIG. 6 is a left side elevational view thereof.

The features shown in broken lines in the drawings depict environmental subject matter only and form no part of the claimed design. The dot-dashed lines denote the boundary of the claim, and form no part of the claimed design.

1 Claim, 5 Drawing Sheets

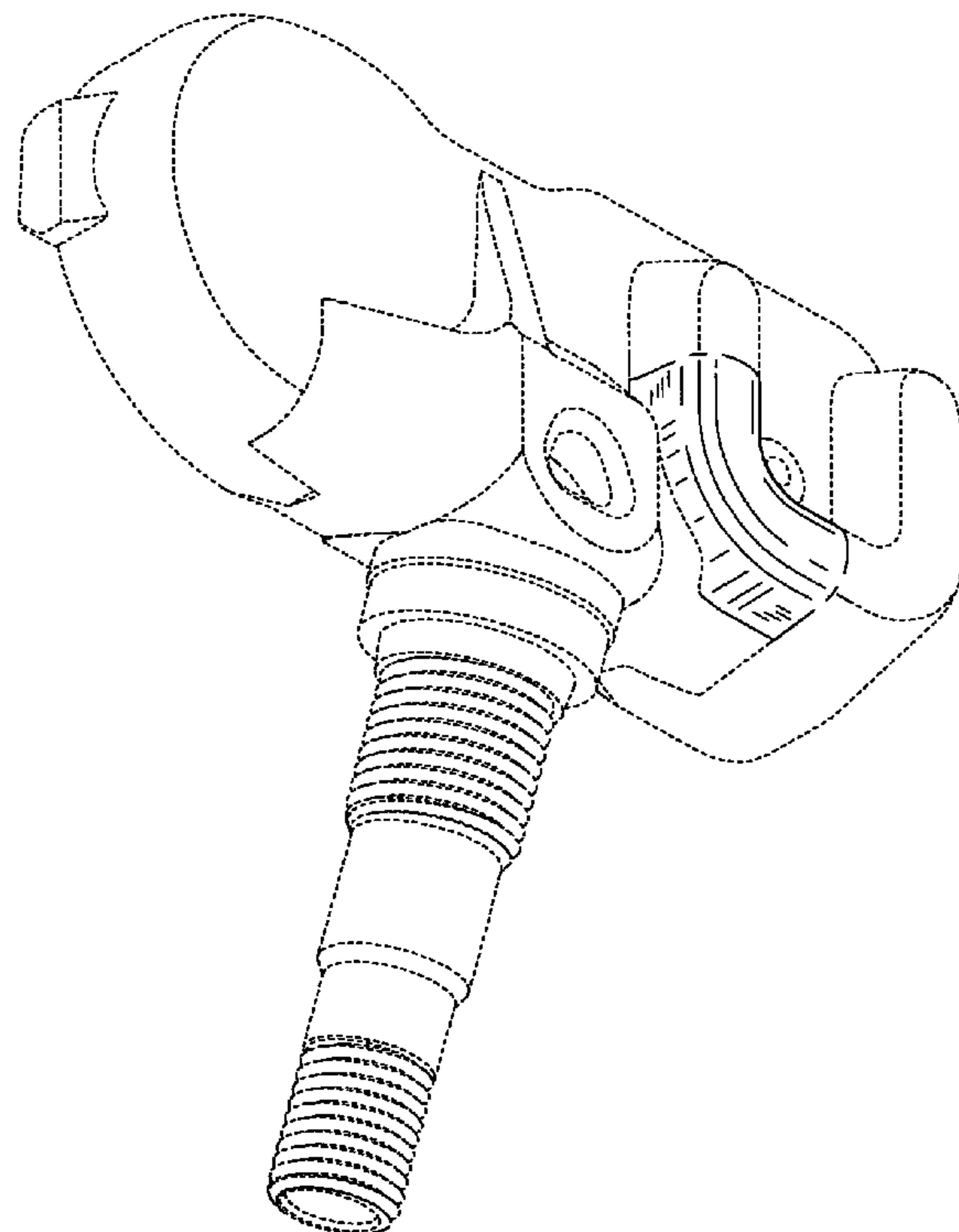
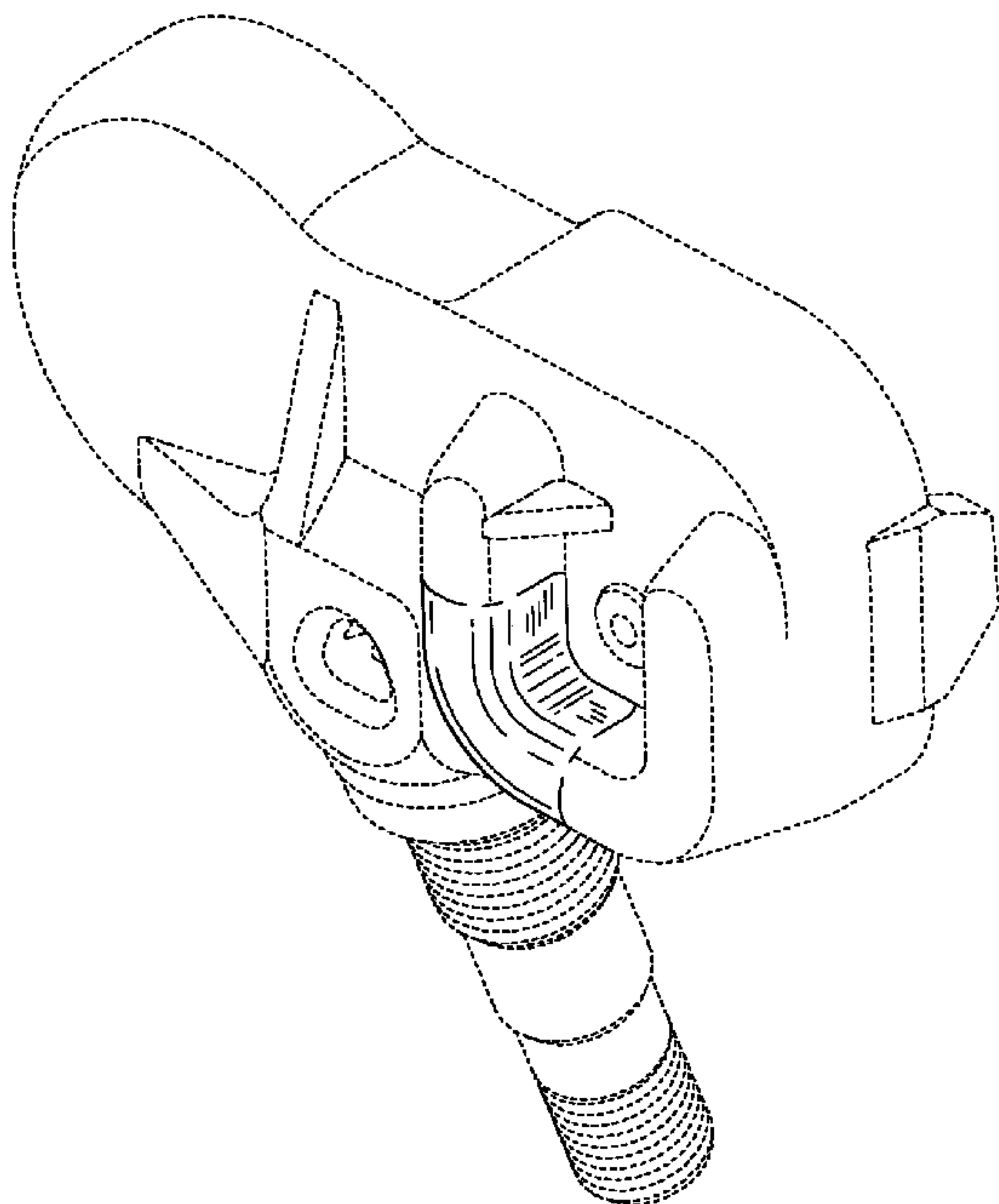


Fig. 1

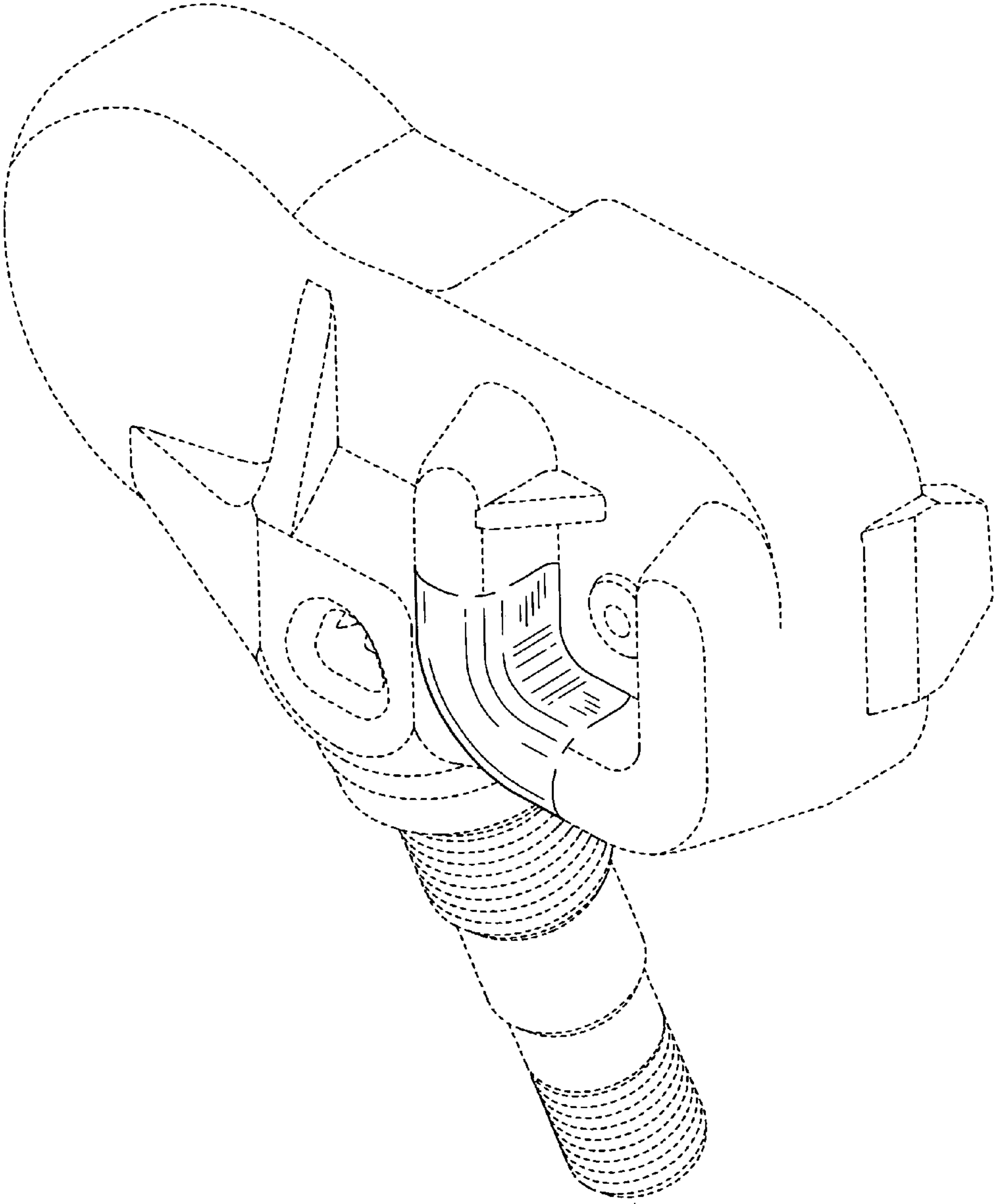


Fig. 2

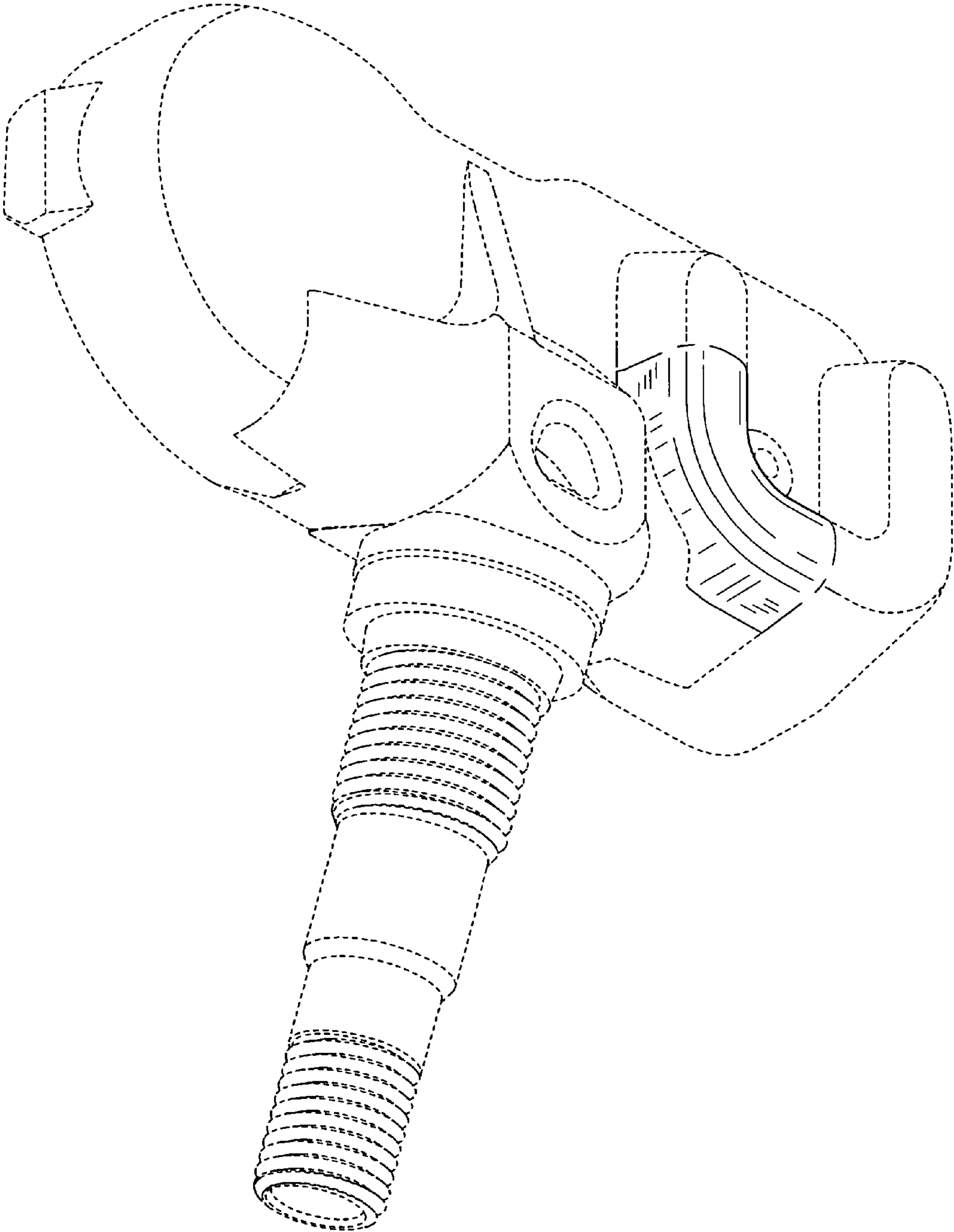


Fig. 3

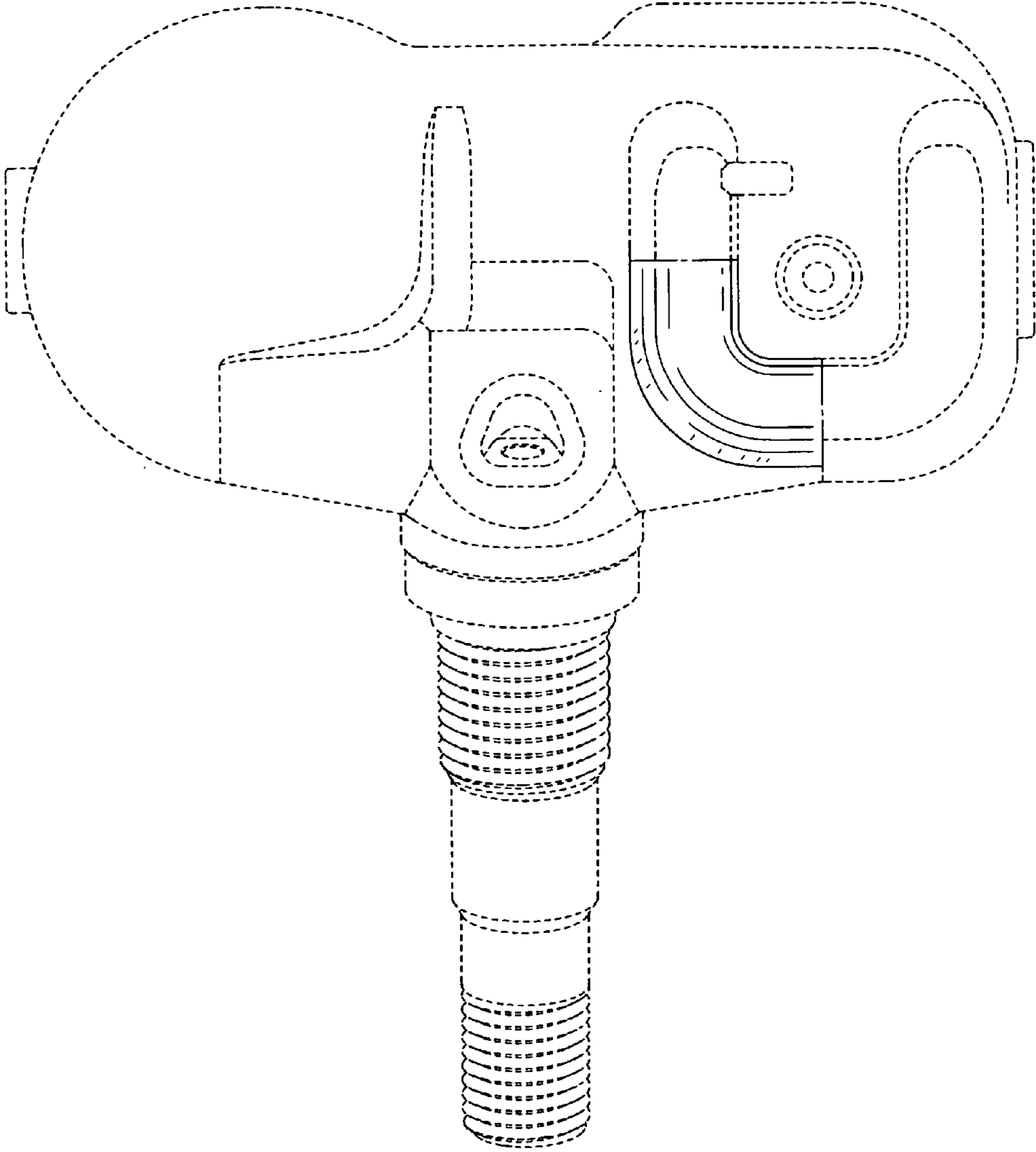


Fig.4

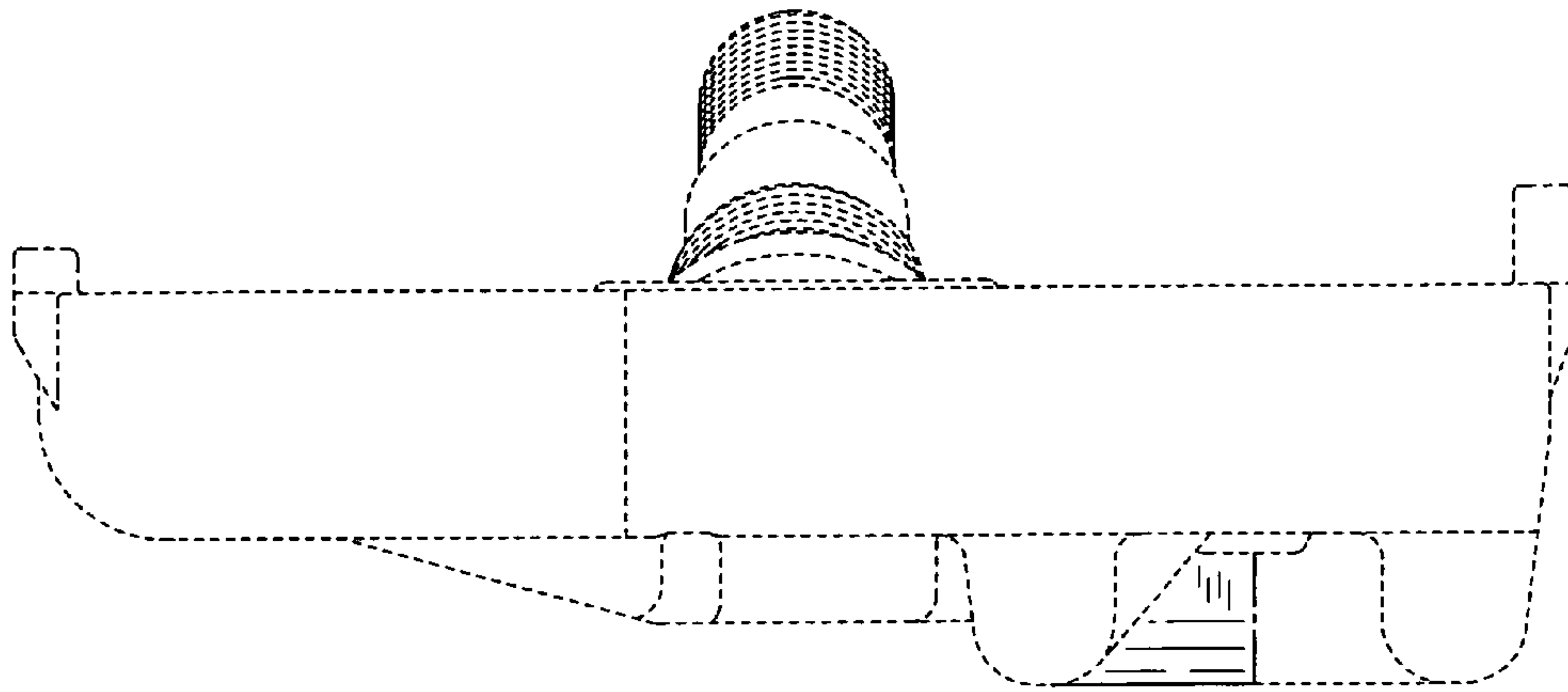


Fig.5

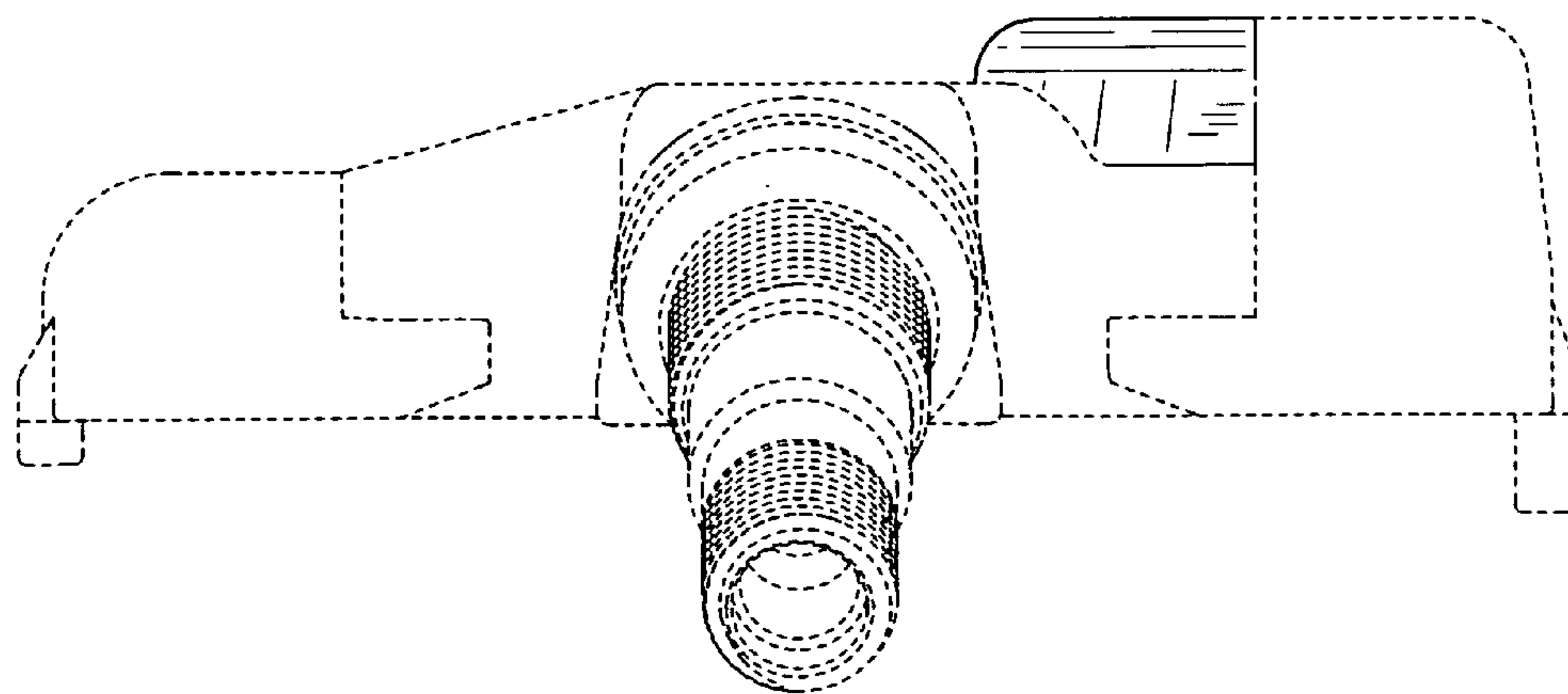


Fig. 6

