



US00D653560S

(12) **United States Design Patent**
Smithers

(10) **Patent No.:** **US D653,560 S**

(45) **Date of Patent:** **** Feb. 7, 2012**

(54) **REVERSIBLE BEVERAGE PACKAGE,
CARRIER AND BUILDER**

(76) Inventor: **Matthew Charles Smithers**, Lewisville,
TX (US)

(**) Term: **14 Years**

(21) Appl. No.: **29/374,432**

(22) Filed: **Aug. 11, 2011**

Related U.S. Application Data

(62) Division of application No. 29/308,069, filed on May
27, 2008, now abandoned.

(51) **LOC (9) Cl.** **09-03**

(52) **U.S. Cl.** **D9/752**

(58) **Field of Classification Search** D9/752,
D9/750, 751, 754, 454, 455, 456, 438, 435;
215/393, 399; 206/151, 821, 145, 216, 164,
206/430, 503, 509, 427; 294/87.2; 220/630,
220/634, 624, 612, 617-621, 610, 608, 23.4;
24/288

See application file for complete search history.

(56) **References Cited**

U.S. PATENT DOCUMENTS

3,202,448	A *	8/1965	Stern et al.	294/87.2
3,250,564	A *	5/1966	Stern et al.	294/87.2
3,302,854	A *	2/1967	Midgley et al.	206/526
3,317,087	A *	5/1967	Landis	222/143
3,317,234	A *	5/1967	Burford	294/87.2
3,331,500	A *	7/1967	Poupitch	206/151
3,346,106	A *	10/1967	Gooding	206/151
3,350,131	A *	10/1967	Tanzer	294/87.2
3,627,121	A *	12/1971	Deasy	206/151
3,664,497	A *	5/1972	Mascia	206/151
3,884,354	A *	5/1975	Guenther et al.	206/427
4,120,396	A *	10/1978	Mascia et al.	206/151
4,136,772	A *	1/1979	Mascia et al.	206/199
D265,979	S *	8/1982	Arfert	D9/752
D270,428	S *	9/1983	Arfert	D9/752
D286,508	S *	11/1986	Tilden	D9/435

5,125,525	A *	6/1992	Tucker	220/254.3
D342,023	S *	12/1993	Bonkowski	D9/752
5,285,892	A *	2/1994	Adami et al.	206/151
D345,081	S *	3/1994	Adami et al.	D7/391
D352,239	S *	11/1994	Adami et al.	D9/752
D354,227	S *	1/1995	Adami et al.	D9/752
D356,733	S *	3/1995	Adami et al.	D9/752
D361,513	S *	8/1995	Adami et al.	D9/455
5,636,753	A *	6/1997	Wilkinson et al.	211/59.4
D388,702	S *	1/1998	Mindel	D9/434
D505,083	S *	5/2005	Tabeshnekoo	D9/752
D515,353	S *	2/2006	Martin	D7/392.1
D522,857	S *	6/2006	Tabeshnekoo	D9/435

* cited by examiner

Primary Examiner — Mark Goodwin

(74) *Attorney, Agent, or Firm* — Jeffrey Roddy

(57) **CLAIM**

The ornamental design for a reversible beverage package, carrier and builder, as shown and described.

DESCRIPTION

FIG. 1 is a top perspective view of the ornamental design for a reversible beverage package, carrier and builder;

FIG. 2 is a top plan view thereof;

FIG. 3 is an end view thereof;

FIG. 4 is a reversed perspective view which is the obverse of (FIG. 1);

FIG. 5 is a bottom plan view thereof;

FIG. 6 is an end view thereof;

FIG. 7 is a top plan view of the design showing an intended use of the invention as a reversible beverage package, carrier and builder;

FIG. 8 is an end view of thereof;

FIG. 9 is a perspective view thereof;

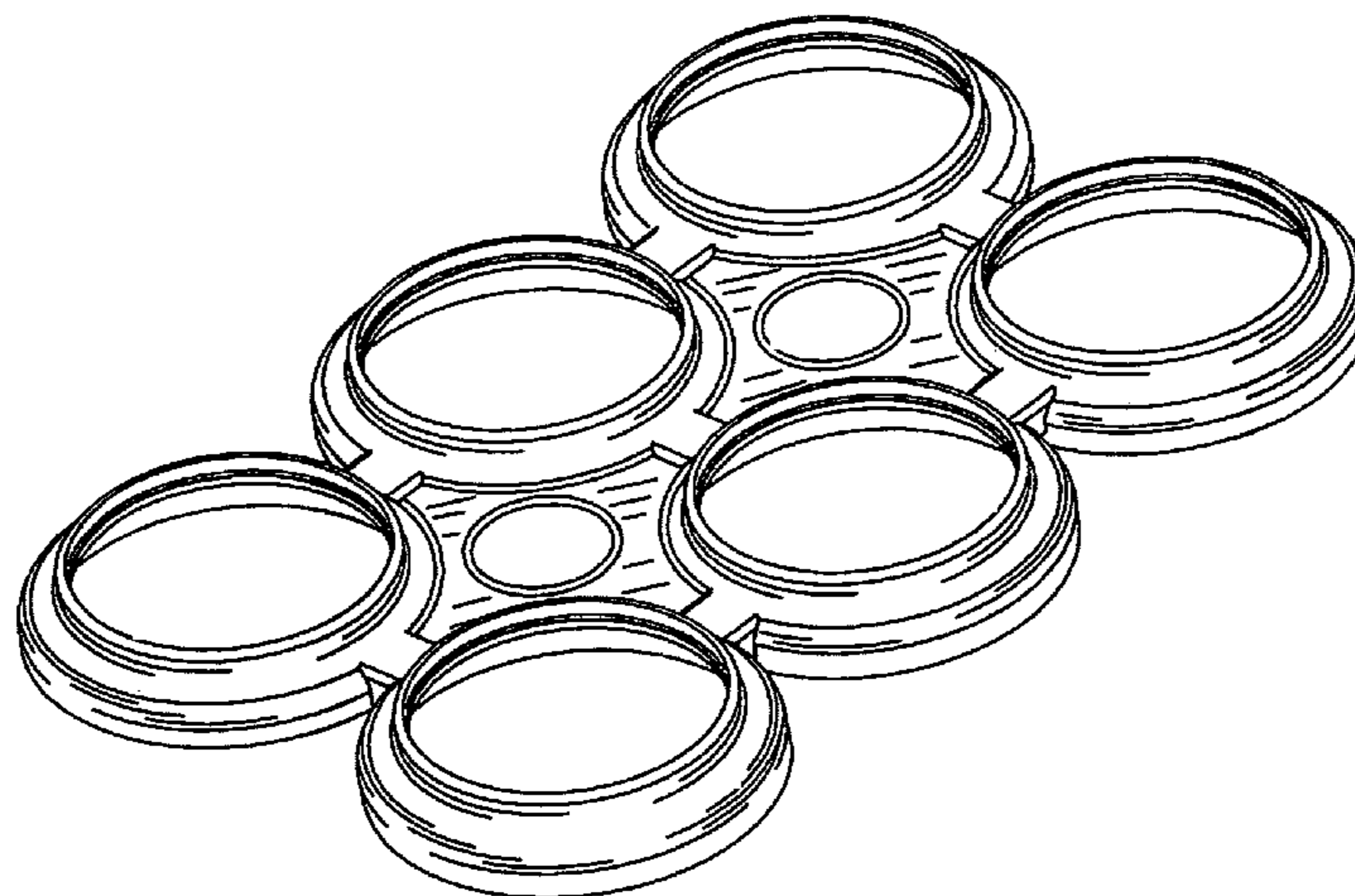
FIG. 10 is a reversed plan view thereof;

FIG. 11 is an end view thereof; and,

FIG. 12 is a perspective view thereof.

The structures depicted by means of broken lines in the figures have been shown for illustrative purposes only and form no part of the claimed design.

1 Claim, 6 Drawing Sheets



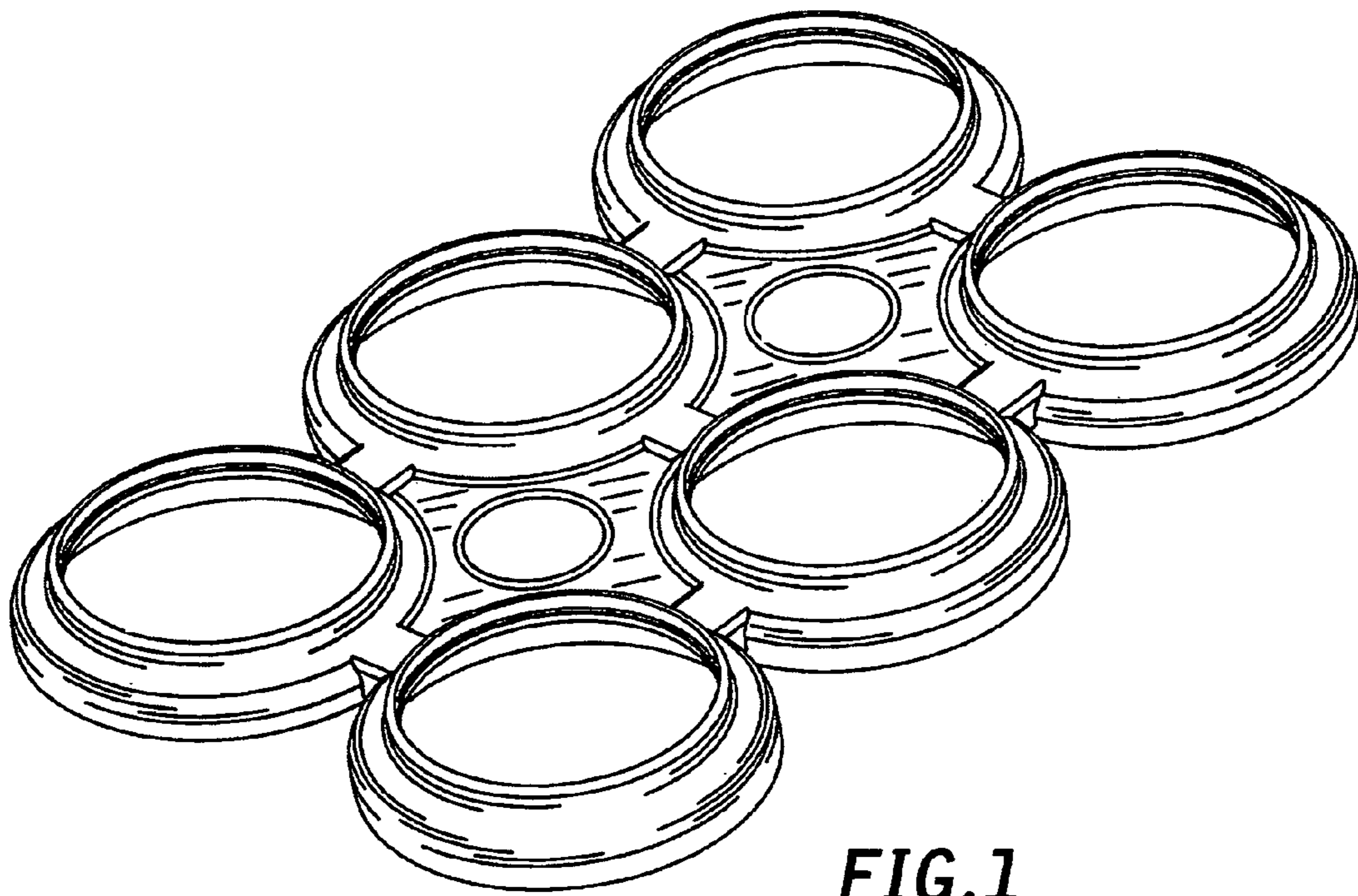


FIG. 1

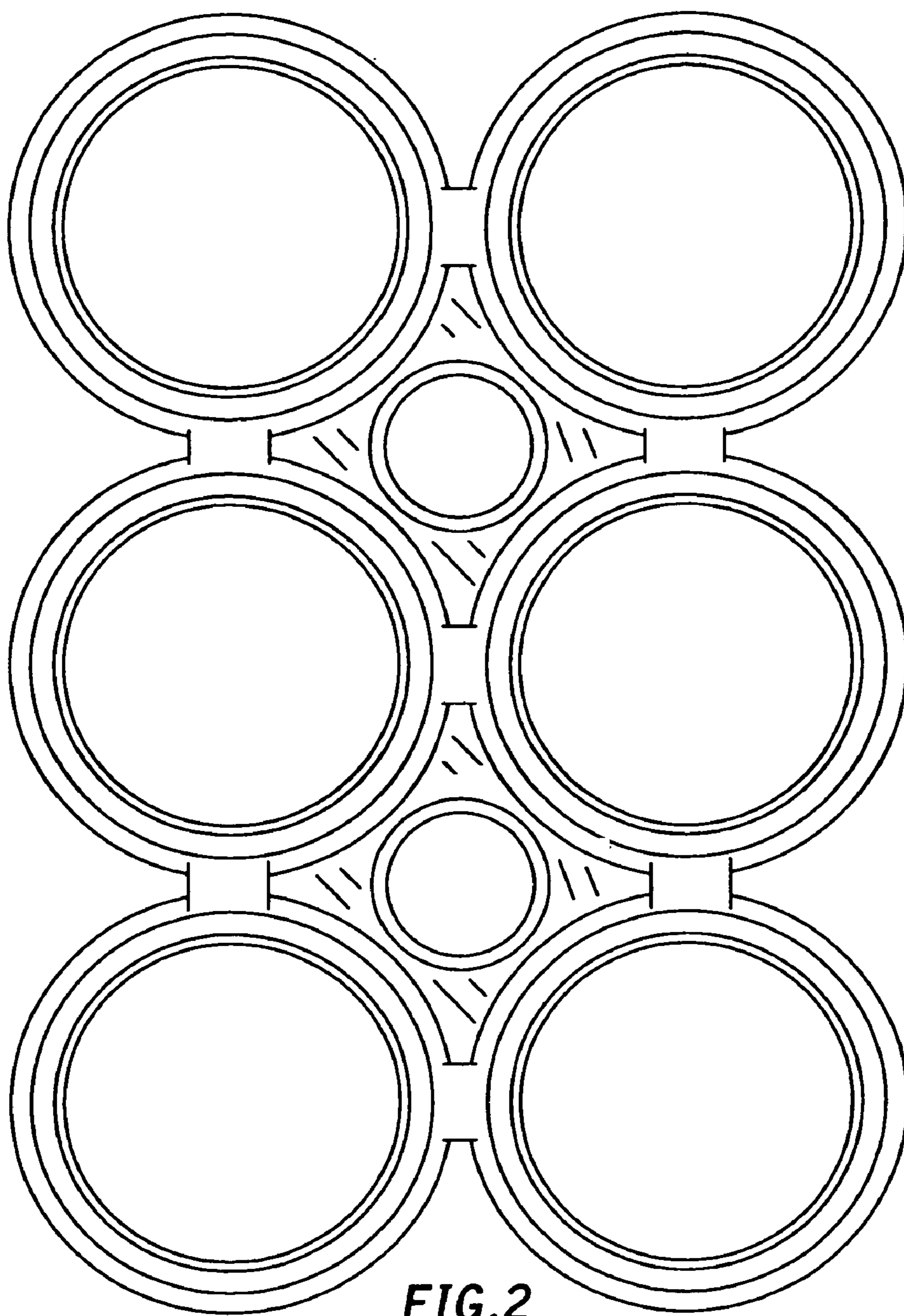


FIG. 2

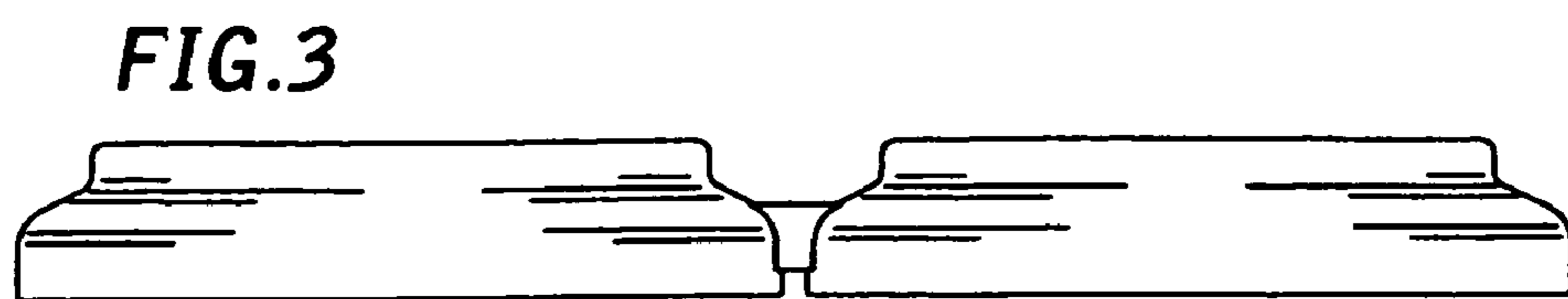
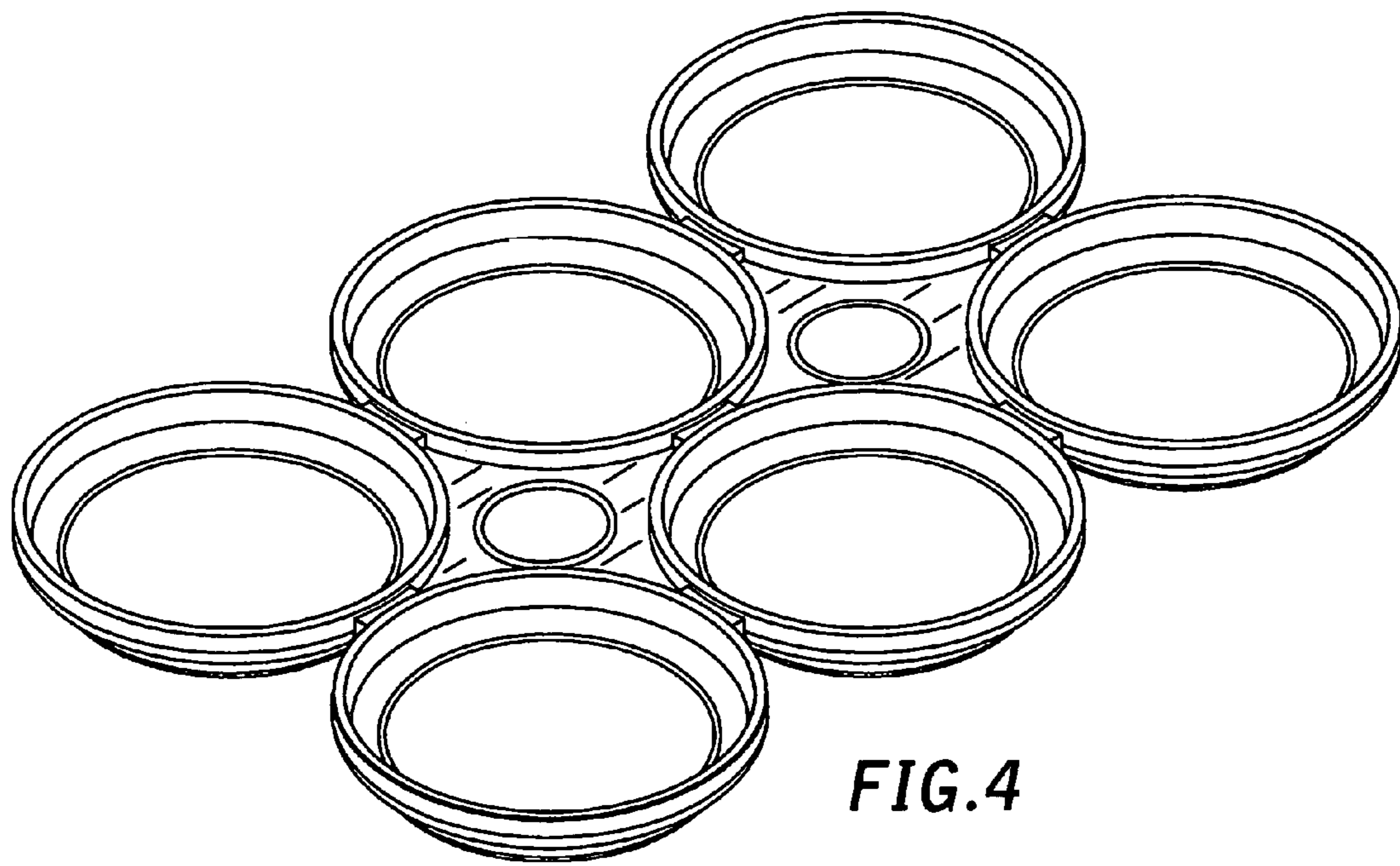
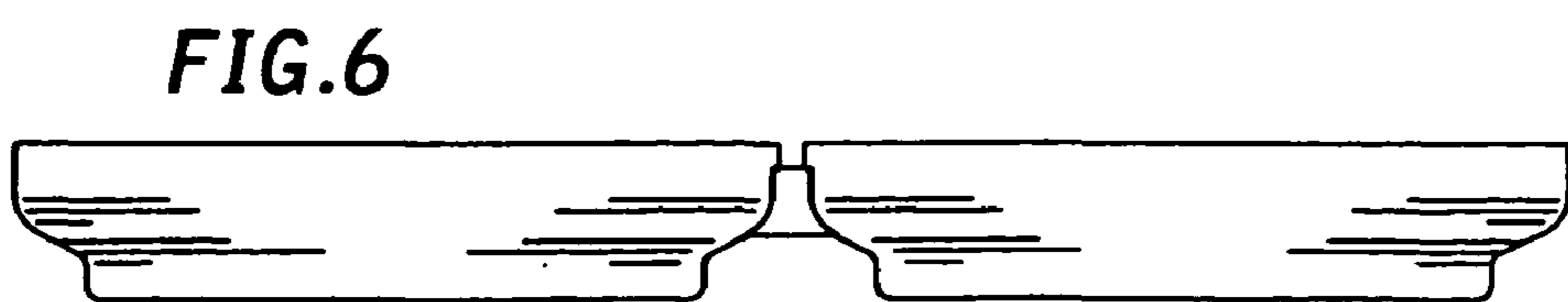
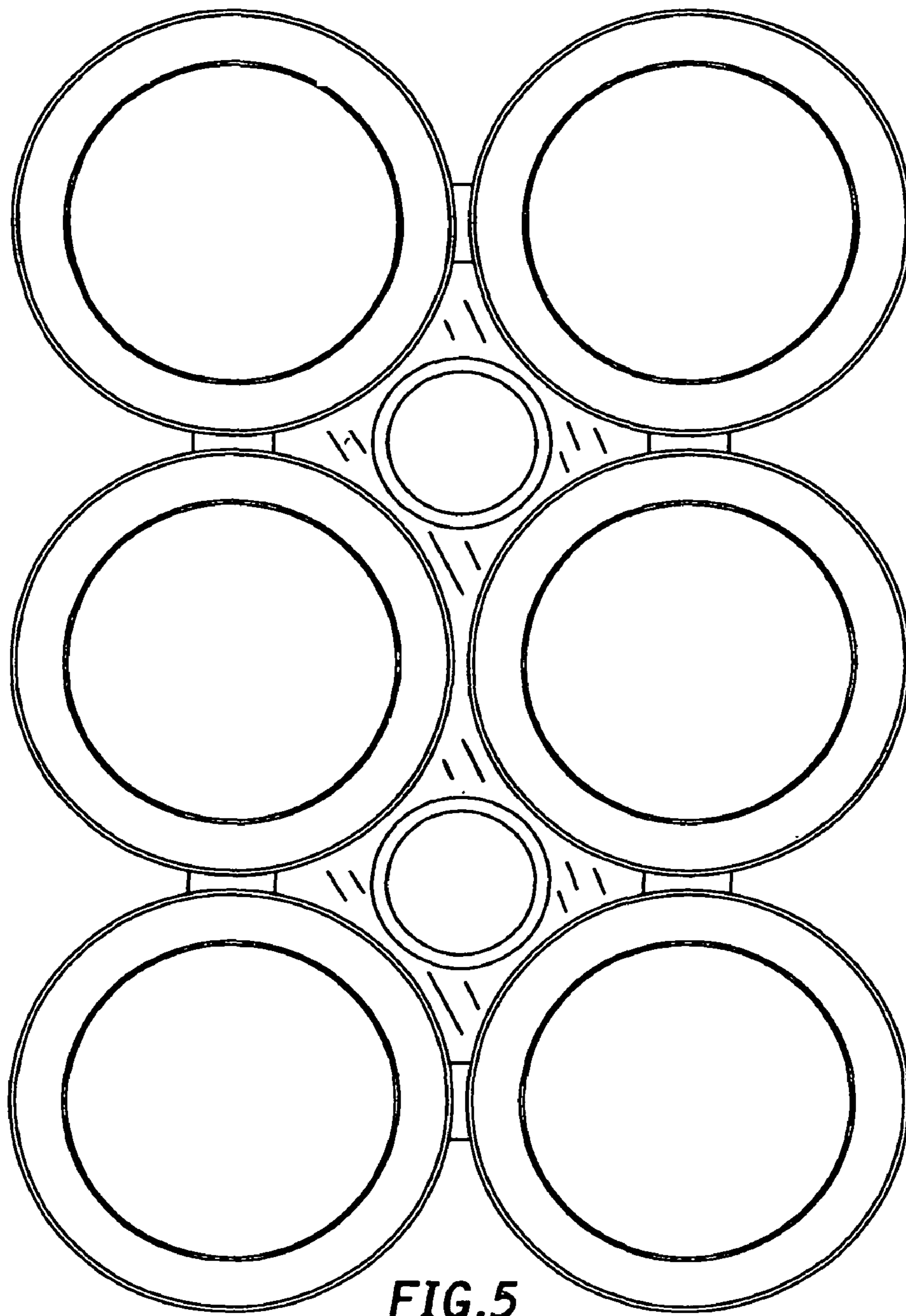


FIG. 3





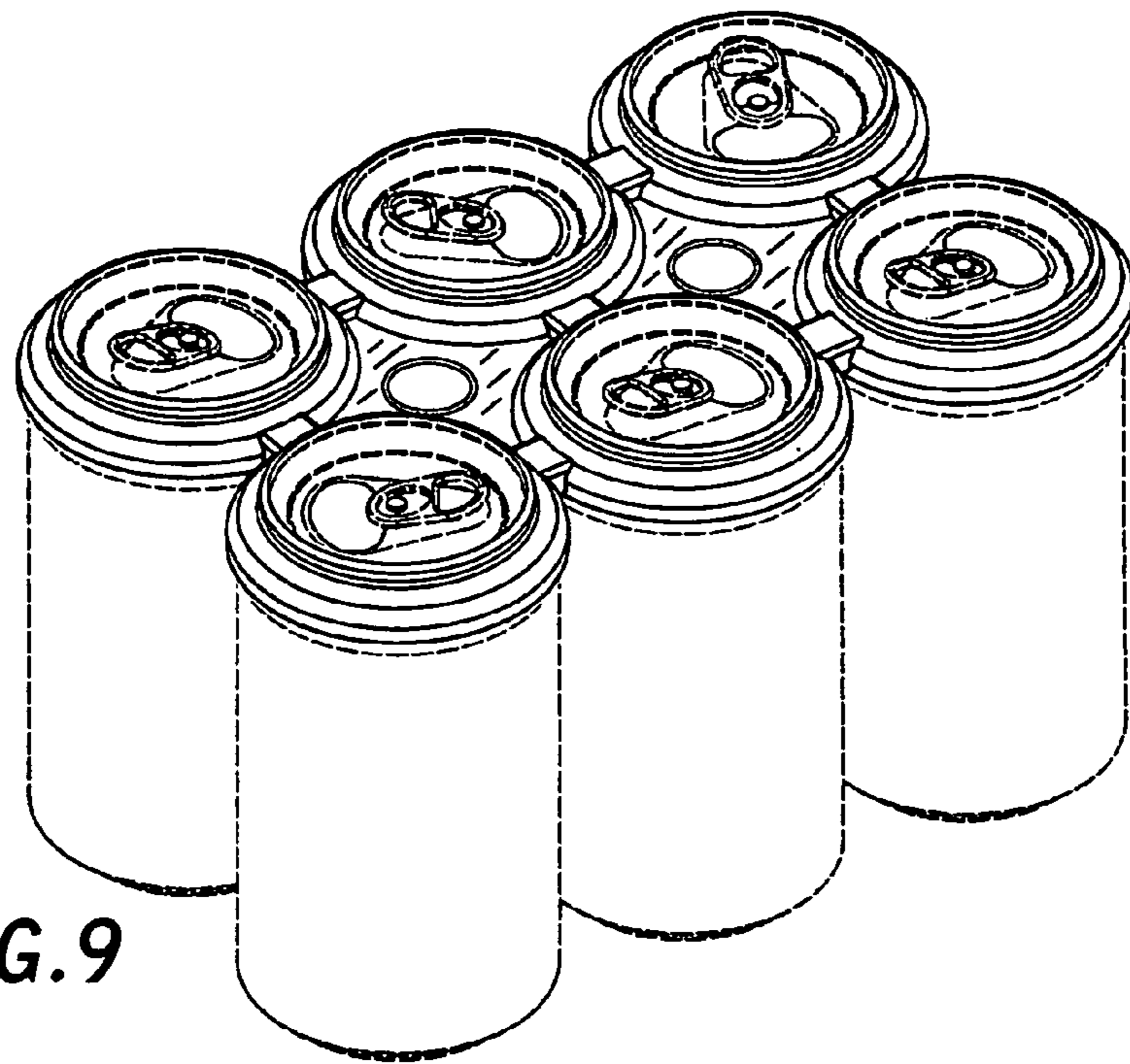


FIG. 9

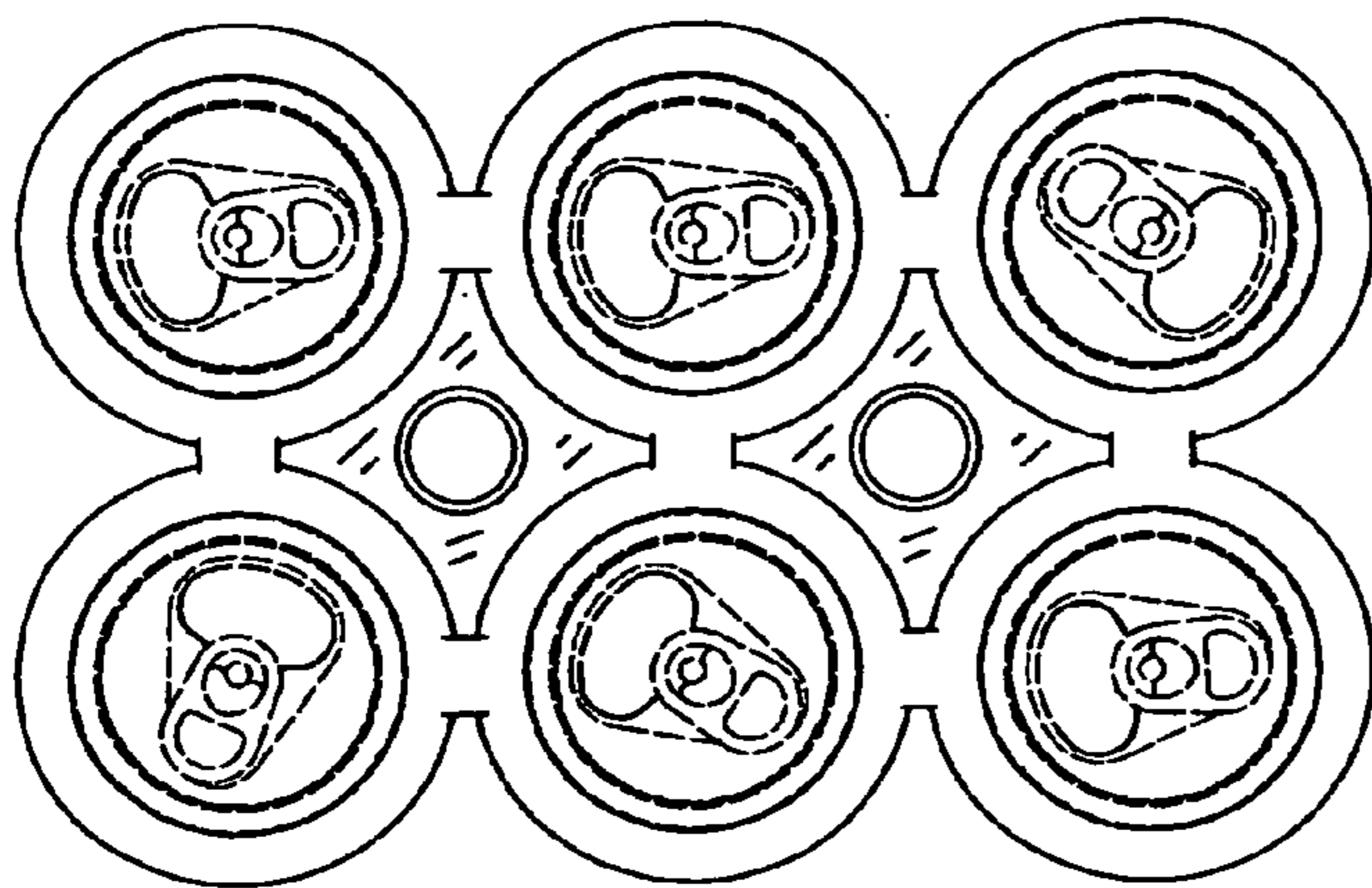


FIG. 7

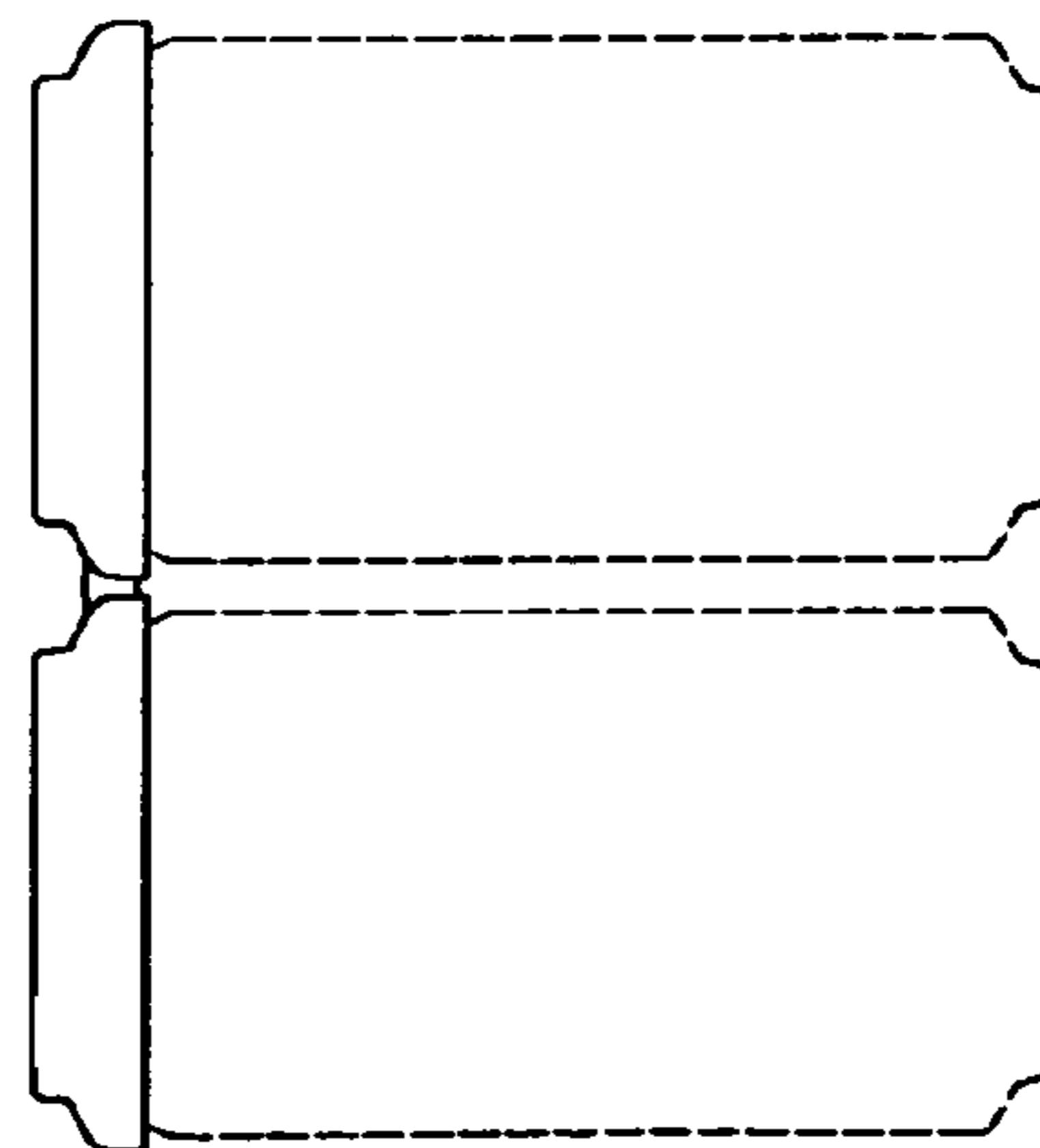


FIG. 8

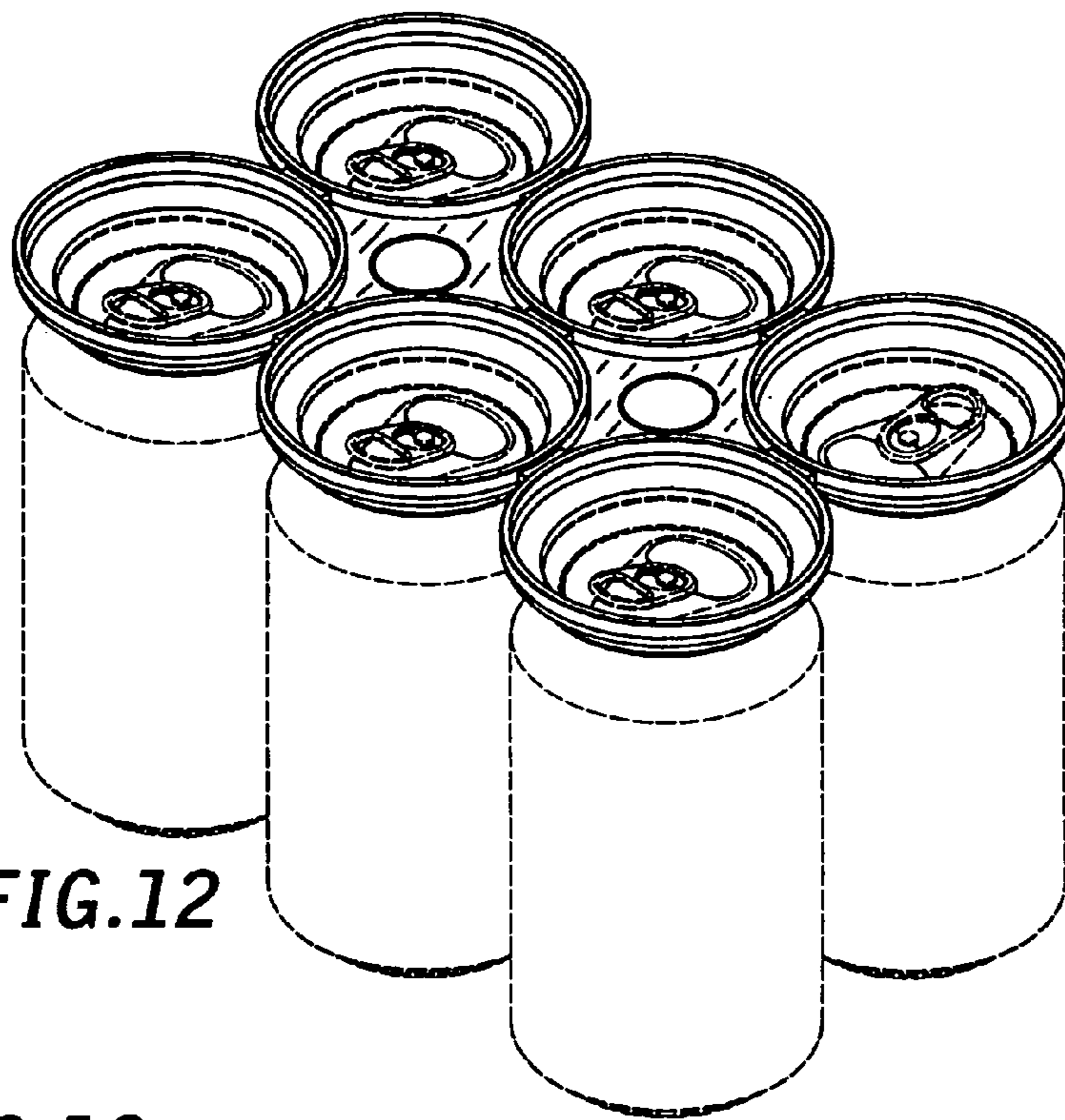


FIG. 12

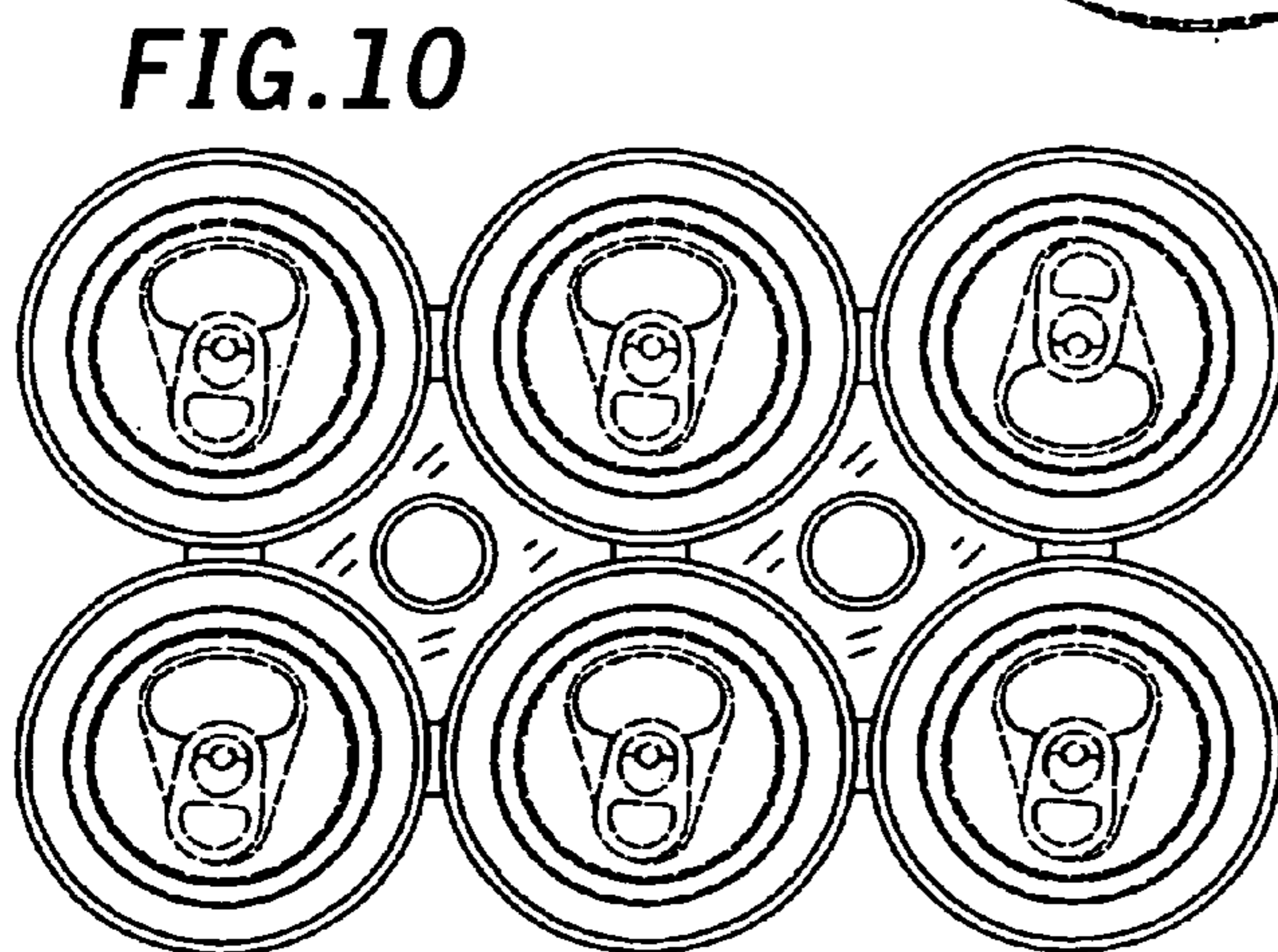


FIG. 10

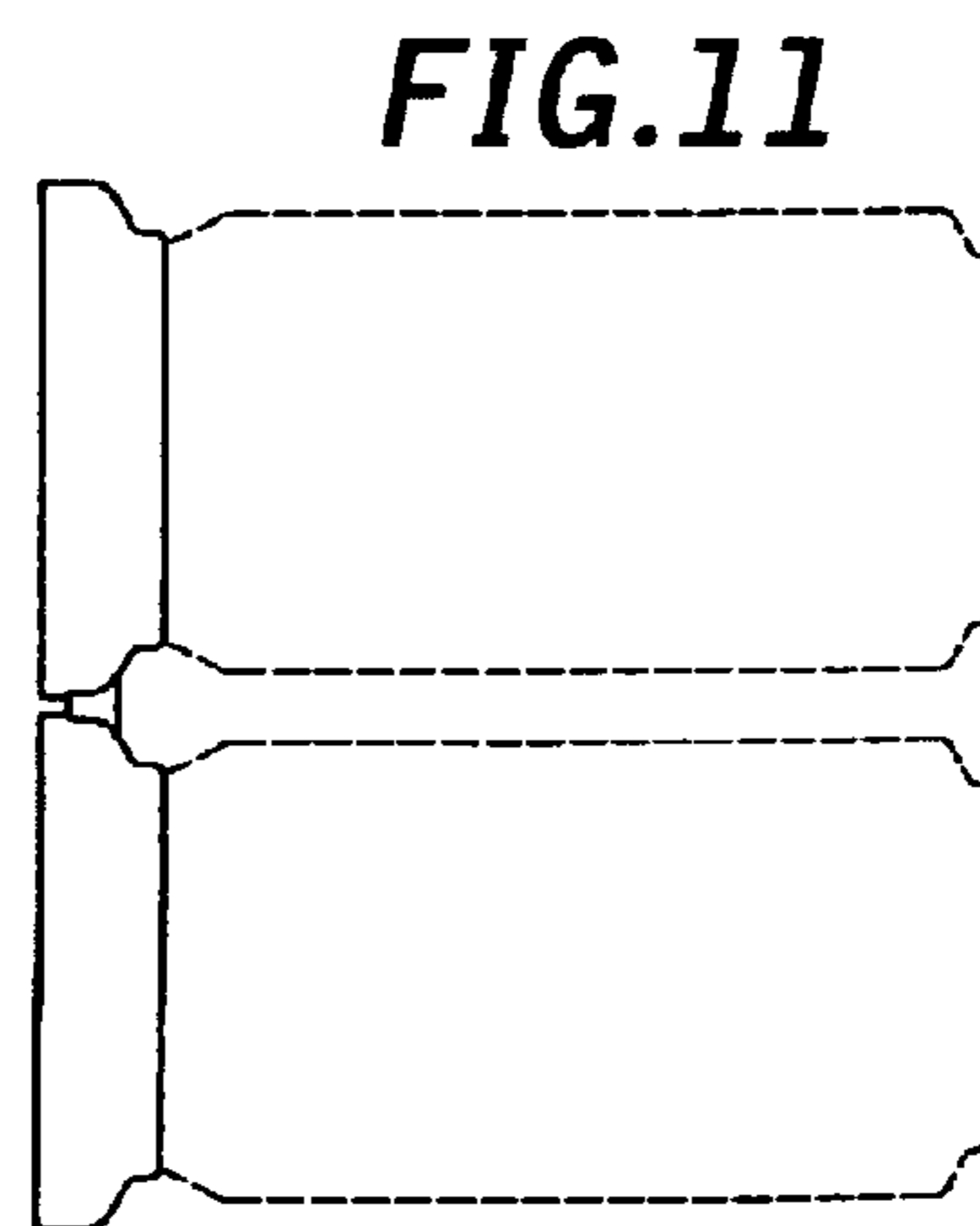


FIG. 11