



US00D653558S

(12) **United States Design Patent**  
**Kania**

(10) **Patent No.:** **US D653,558 S**

(45) **Date of Patent:** **\*\* Feb. 7, 2012**

(54) **BOTTLE**

(75) Inventor: **Piotr Kania**, Warsaw (PL)

(73) Assignee: **V&S Luksusowa Zielona Gora S.A.**,  
Zielona Gora (PL)

(\*\*) Term: **14 Years**

(21) Appl. No.: **29/366,185**

(22) Filed: **Jul. 21, 2010**

(30) **Foreign Application Priority Data**

Jan. 22, 2010 (EP) ..... 001660432

(51) **LOC (9) Cl.** ..... **09-01**

(52) **U.S. Cl.** ..... **D9/652; D9/560**

(58) **Field of Classification Search** ..... D9/600,  
D9/652, 516.56, 572-575; 206/457-458;  
215/400; 220/890

See application file for complete search history.

(56) **References Cited**

U.S. PATENT DOCUMENTS

D24,464 S *	7/1895	De Witt	.....	D9/544
D76,990 S *	11/1928	Curran	.....	D9/560
D544,365 S *	6/2007	Werner	.....	D9/560
D545,213 S *	6/2007	Werner	.....	D9/652
D581,800 S *	12/2008	Rica	.....	D9/574
D597,413 S *	8/2009	Teuscher	.....	D9/652

\* cited by examiner

*Primary Examiner* — Sandra Morris

(74) *Attorney, Agent, or Firm* — McDermott Will & Emery LLP

(57) **CLAIM**

The ornamental design for a bottle, as shown and described.

**DESCRIPTION**

FIG. 1 is a front perspective view of the bottle, showing the new design;

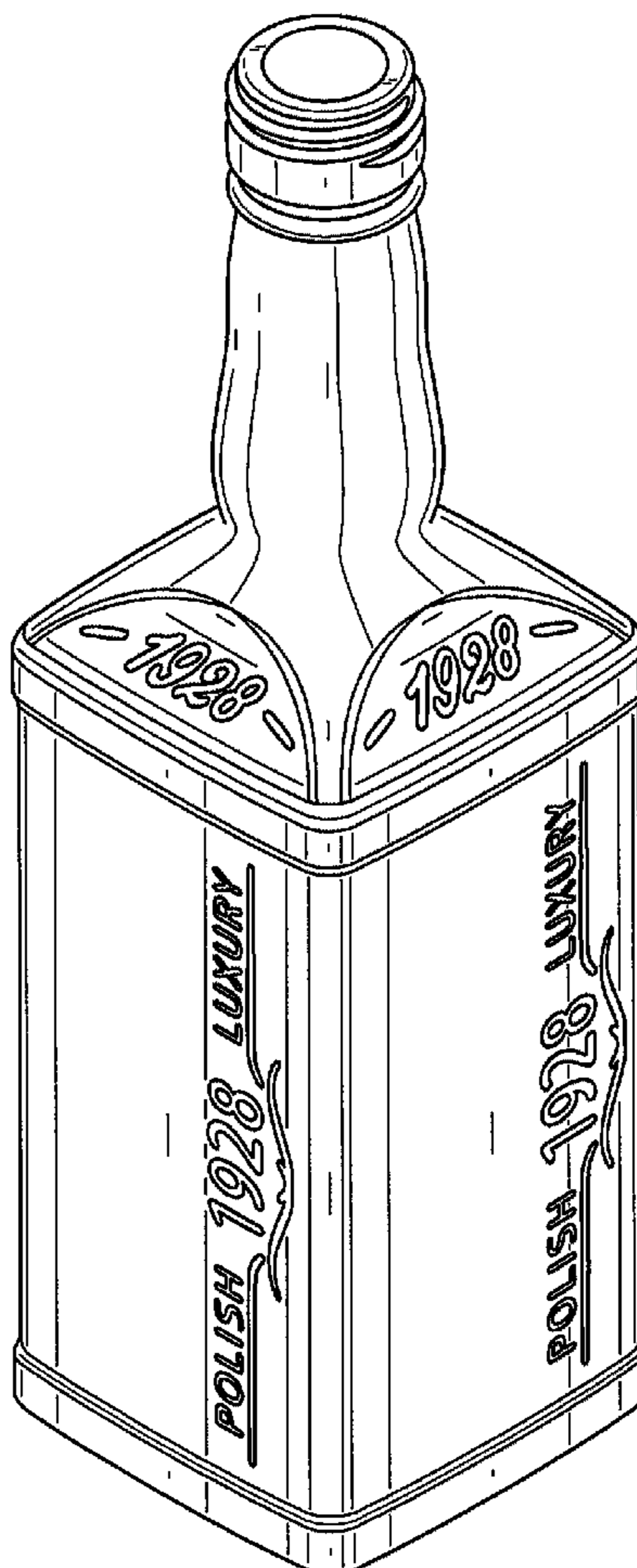
FIG. 2 is a front view of the bottle;

FIG. 3 is a side view of the bottle; and,

FIG. 4 is a bottom view of the bottle.

The broken lines showing various elements of the bottle are included for the purpose of illustrating non-claimed subject matter and form no part of the claimed design.

**1 Claim, 4 Drawing Sheets**



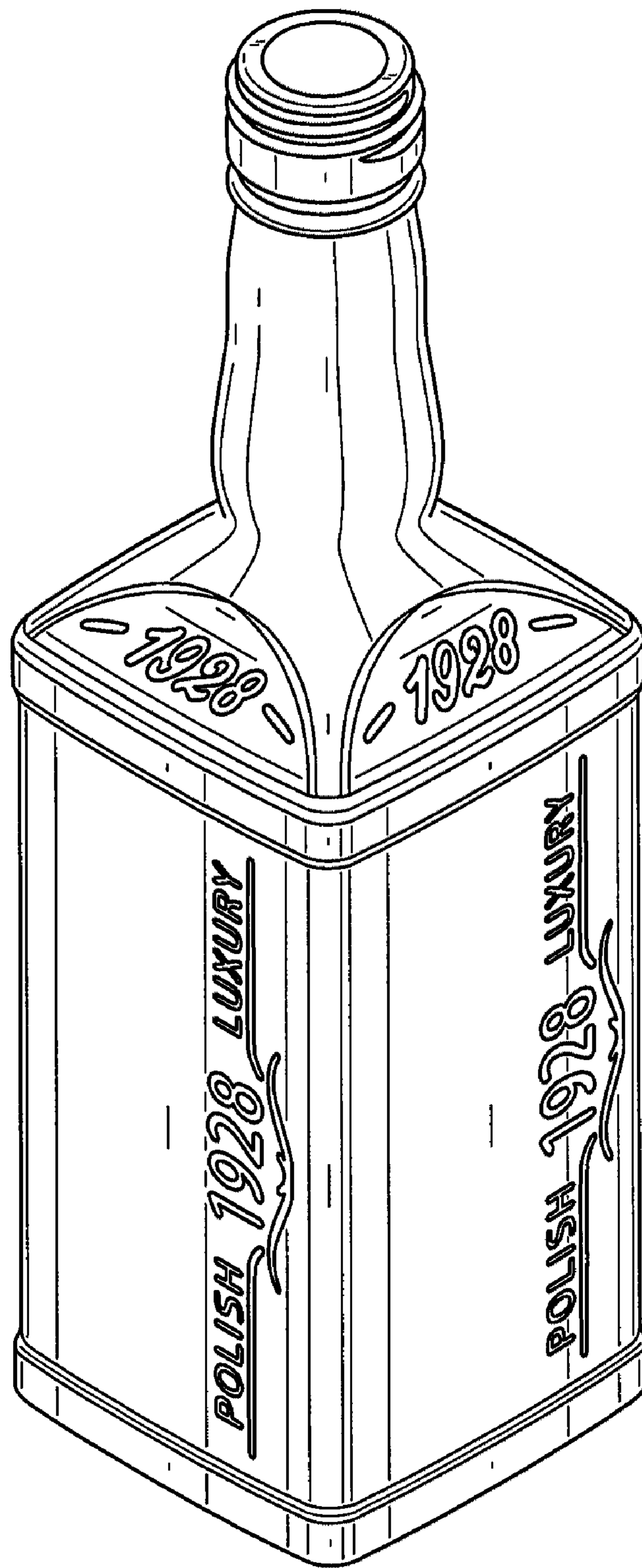


FIG. 1

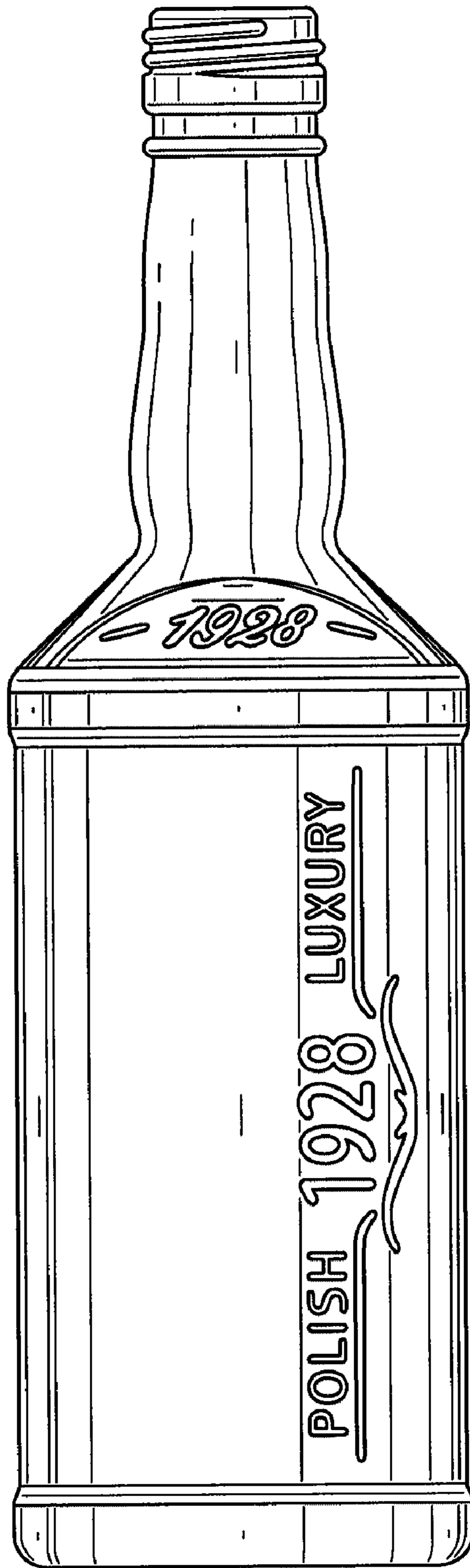


FIG. 2

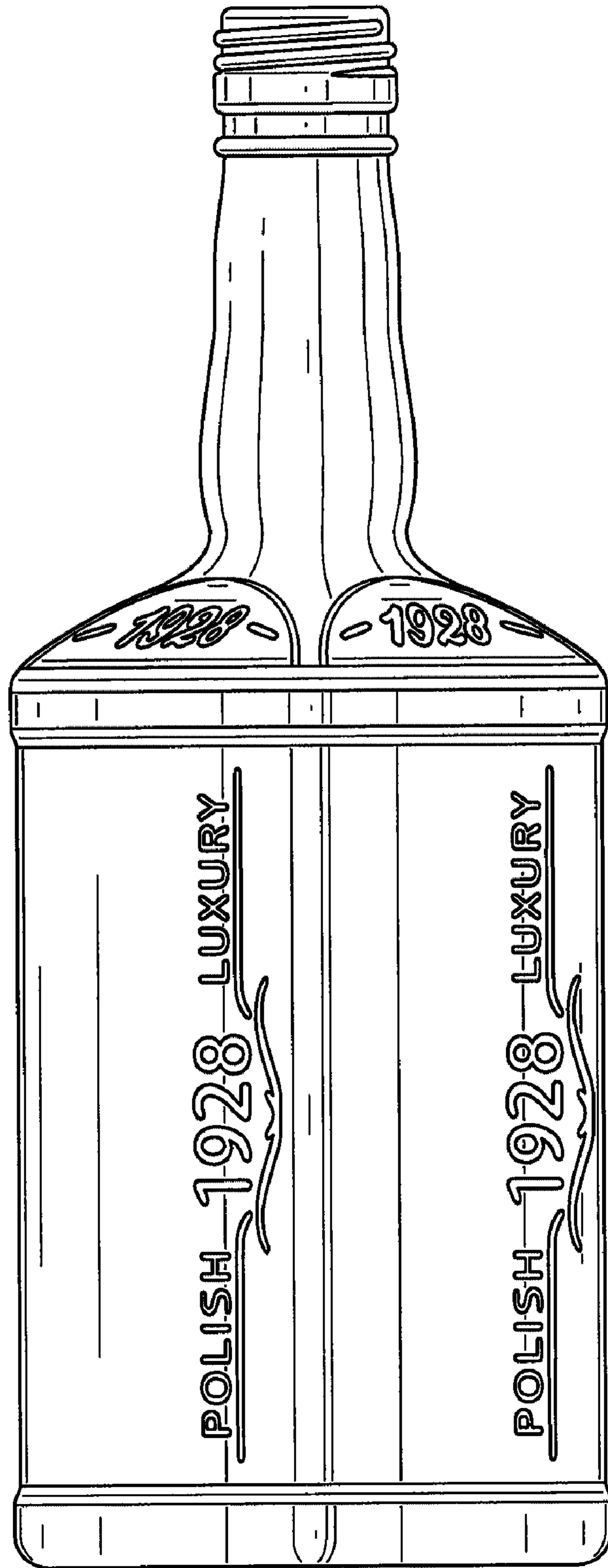


FIG. 3

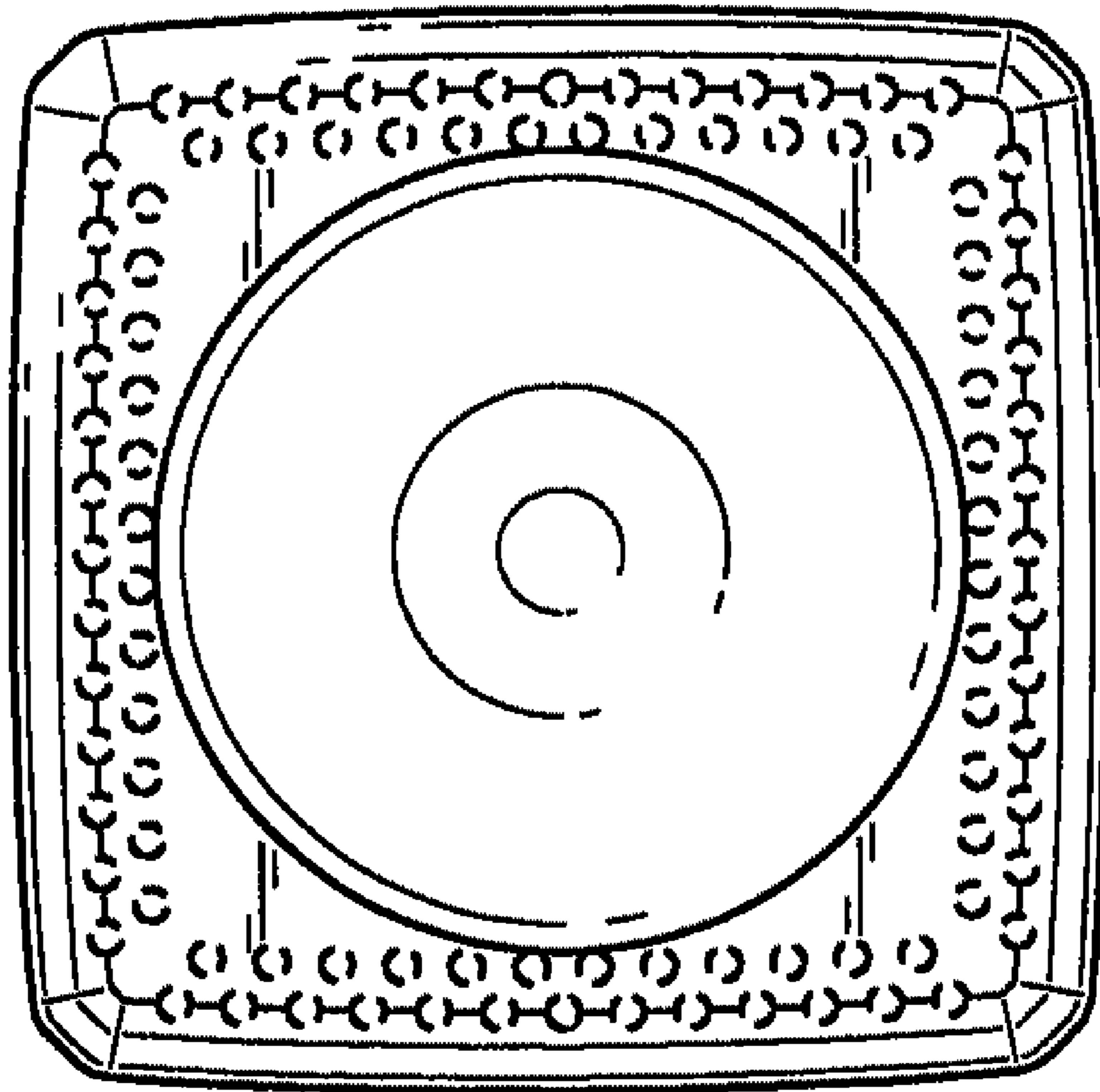


FIG. 4