



US00D653554S

(12) **United States Design Patent**
Kitazawa et al.

(10) **Patent No.:** **US D653,554 S**

(45) **Date of Patent:** **** Feb. 7, 2012**

(54) **CONTAINER**

(75) Inventors: **Yoshimitsu Kitazawa**, Hitachinaka (JP);
Masaharu Aizawa, Hitachinaka (JP);
Kenichi Nemoto, Hitachinaka (JP); **Jun Sato**, Hitachinaka (JP)

(73) Assignee: **Hitachi Koki Co., Ltd.**, Tokyo (JP)

(**) Term: **14 Years**

(21) Appl. No.: **29/347,300**

(22) Filed: **Nov. 25, 2009**

(30) **Foreign Application Priority Data**

May 29, 2009 (JP) 2009-012147

(51) **LOC (9) Cl.** **09-01**

(52) **U.S. Cl.** **D9/561**

(58) **Field of Classification Search** D9/513,
D9/559, 561, 572, 575, 763, 769; 215/381-385;
220/660, 669, 679, 752

See application file for complete search history.

(56) **References Cited**

U.S. PATENT DOCUMENTS

D109,021 S *	3/1938	Lloyd	D9/522
D308,336 S *	6/1990	Delbanco	D9/516
D489,271 S *	5/2004	Soomar	D9/561
D496,286 S *	9/2004	Krunas	D9/561
D500,448 S *	1/2005	Krunas	D9/561
D563,666 S *	3/2008	Davis	D3/202

D587,973 S *	3/2009	Romano	D7/629
D624,432 S *	9/2010	Fox et al.	D9/561
D627,657 S *	11/2010	Vogler	D9/561

FOREIGN PATENT DOCUMENTS

MR 1990 00175 2/1990

OTHER PUBLICATIONS

Japanese Notification of Reason for Refusal, w/ English translation thereof, issued in Japanese Patent Application No. JP 2009-012147 dated Apr. 27, 2010.

* cited by examiner

Primary Examiner — Stella Reid

Assistant Examiner — Keli L Hill

(74) *Attorney, Agent, or Firm* — McDermott Will & Emery LLP

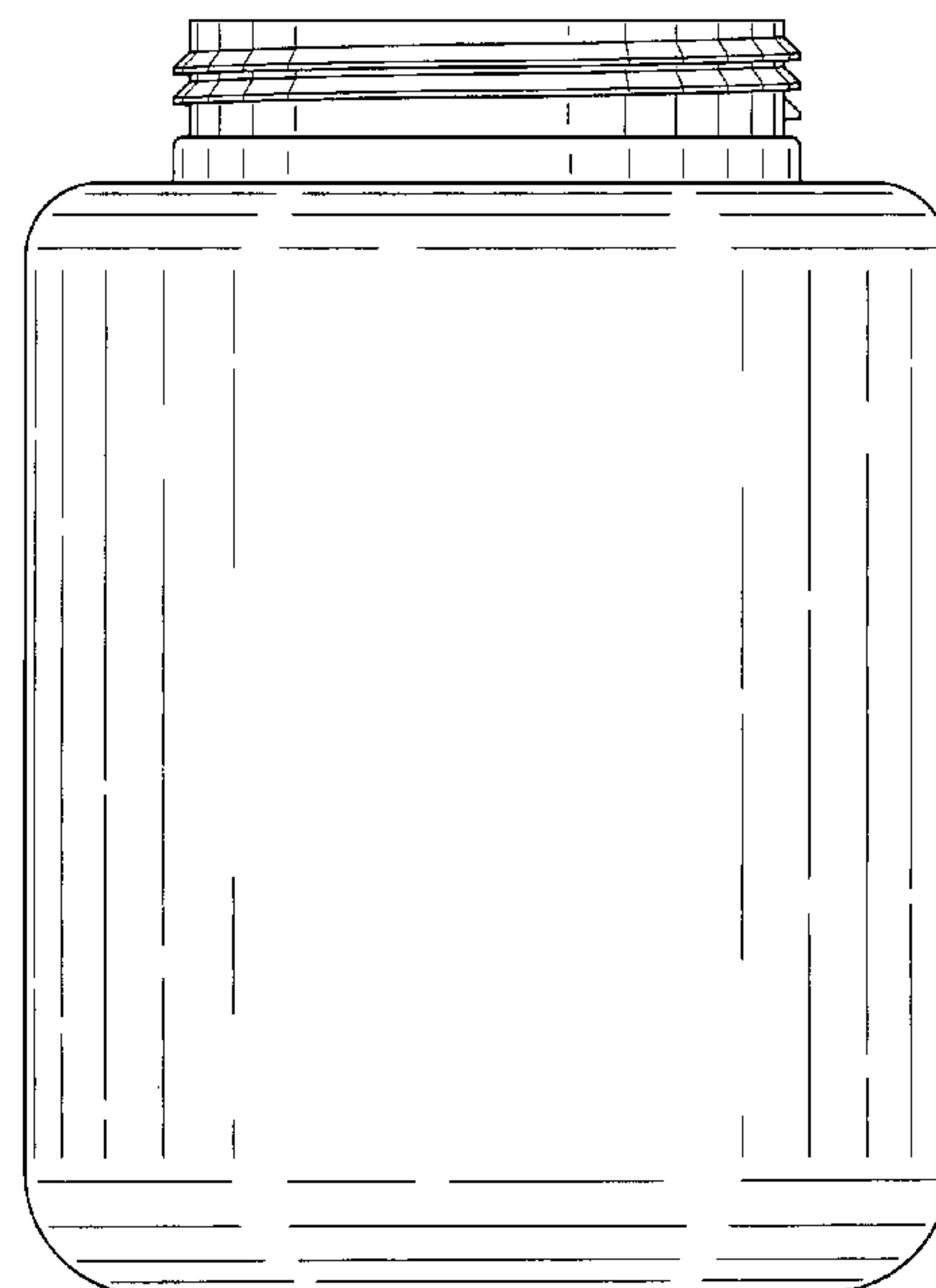
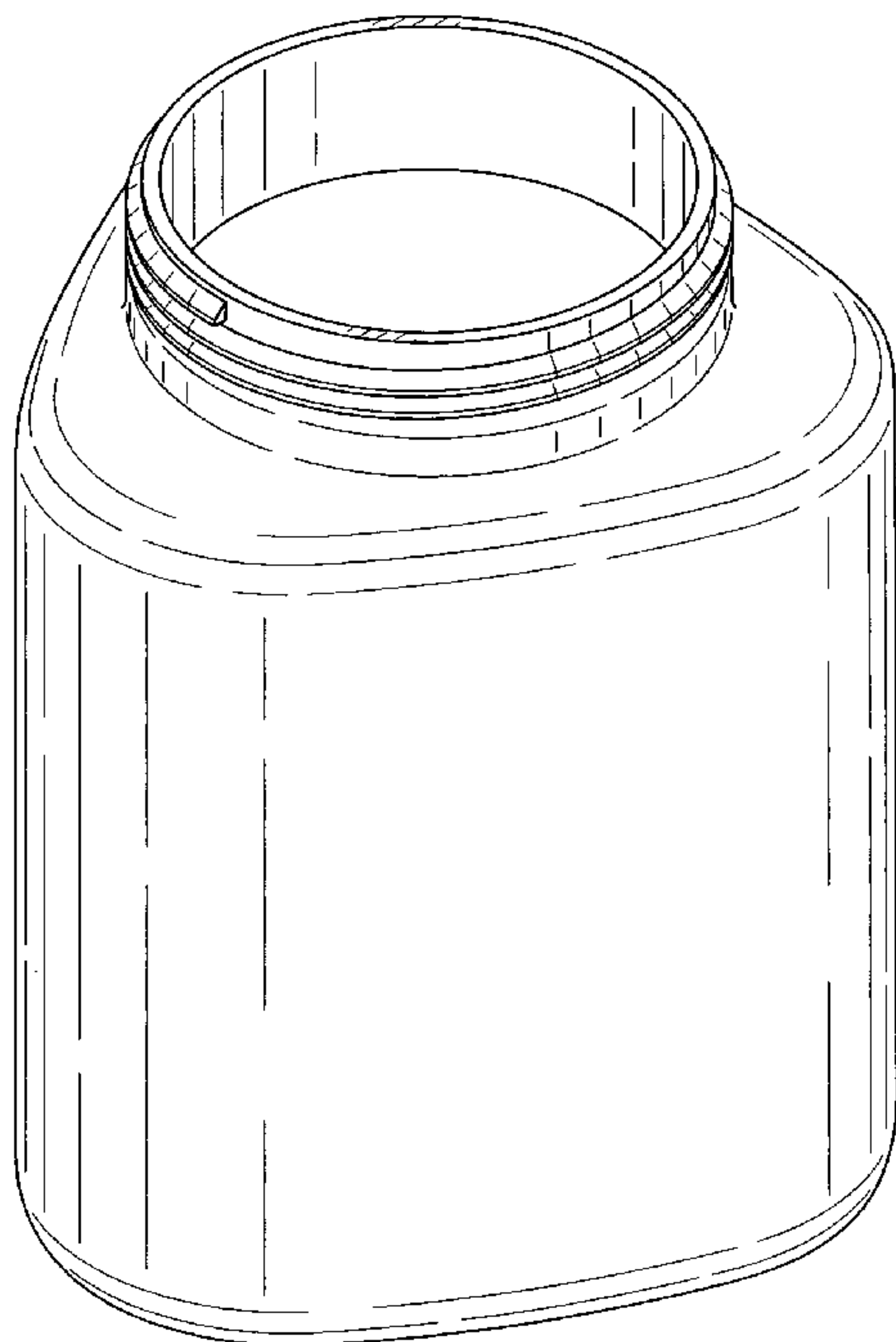
(57) **CLAIM**

The ornamental design for a container, as shown and described.

DESCRIPTION

FIG. 1 is a perspective view of top, front and right side of a container showing our new design;
FIG. 2 is a front view thereof;
FIG. 3 is a rear view thereof;
FIG. 4 is a left side view thereof;
FIG. 5 is a right side view thereof;
FIG. 6 is a top plan view thereof; and,
FIG. 7 is a bottom view thereof.

1 Claim, 4 Drawing Sheets



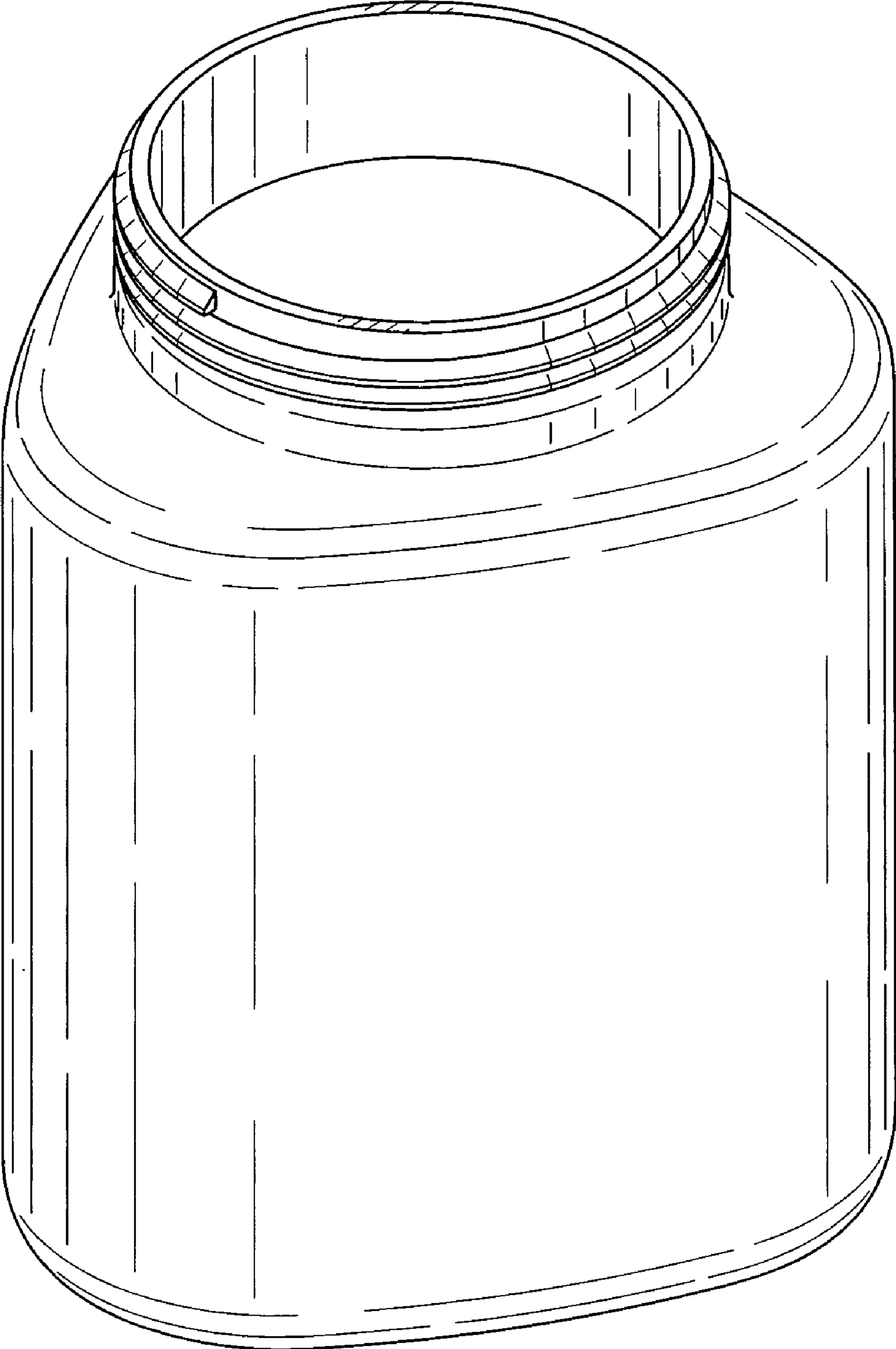


FIG. 1

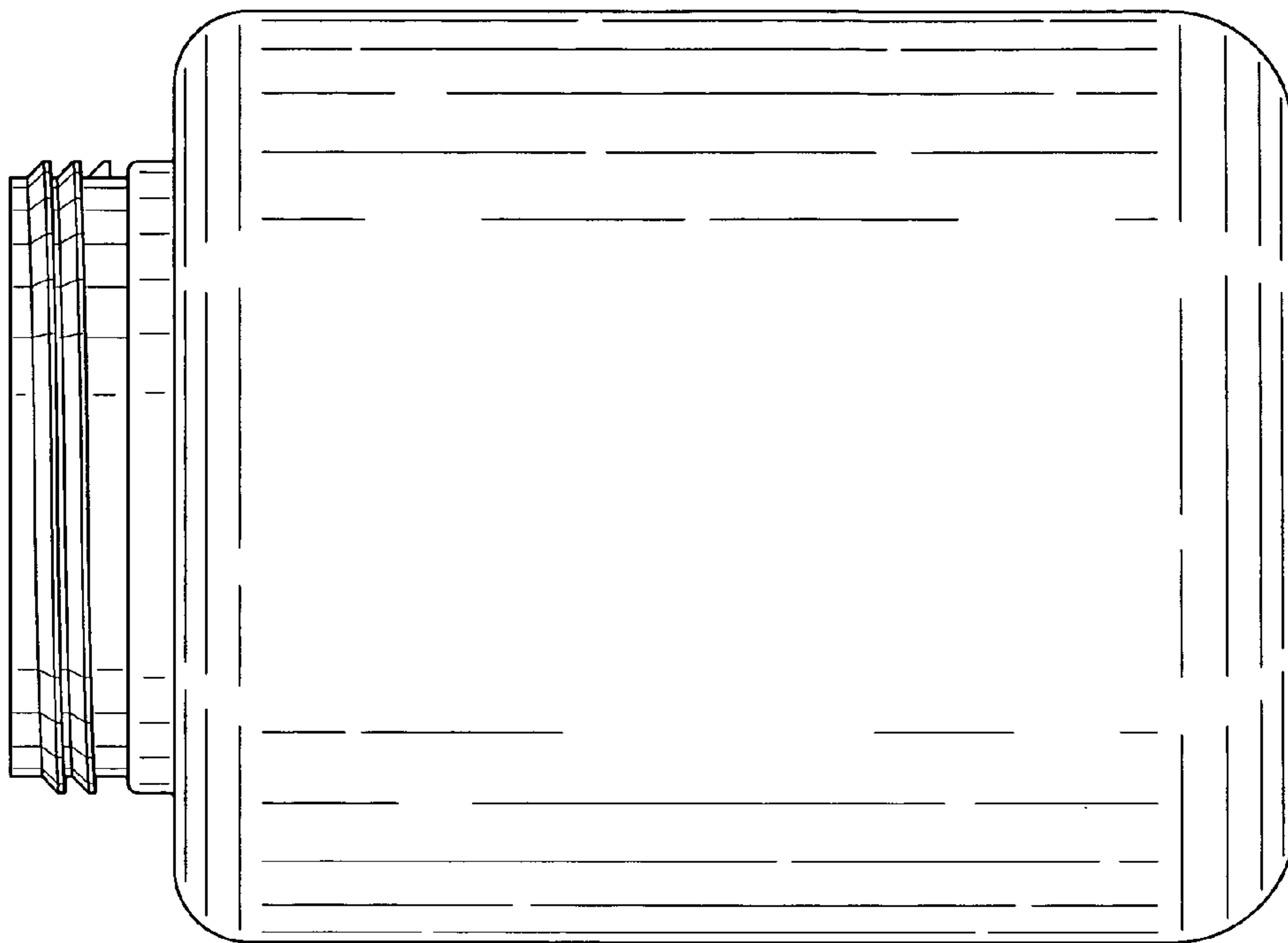


FIG. 3

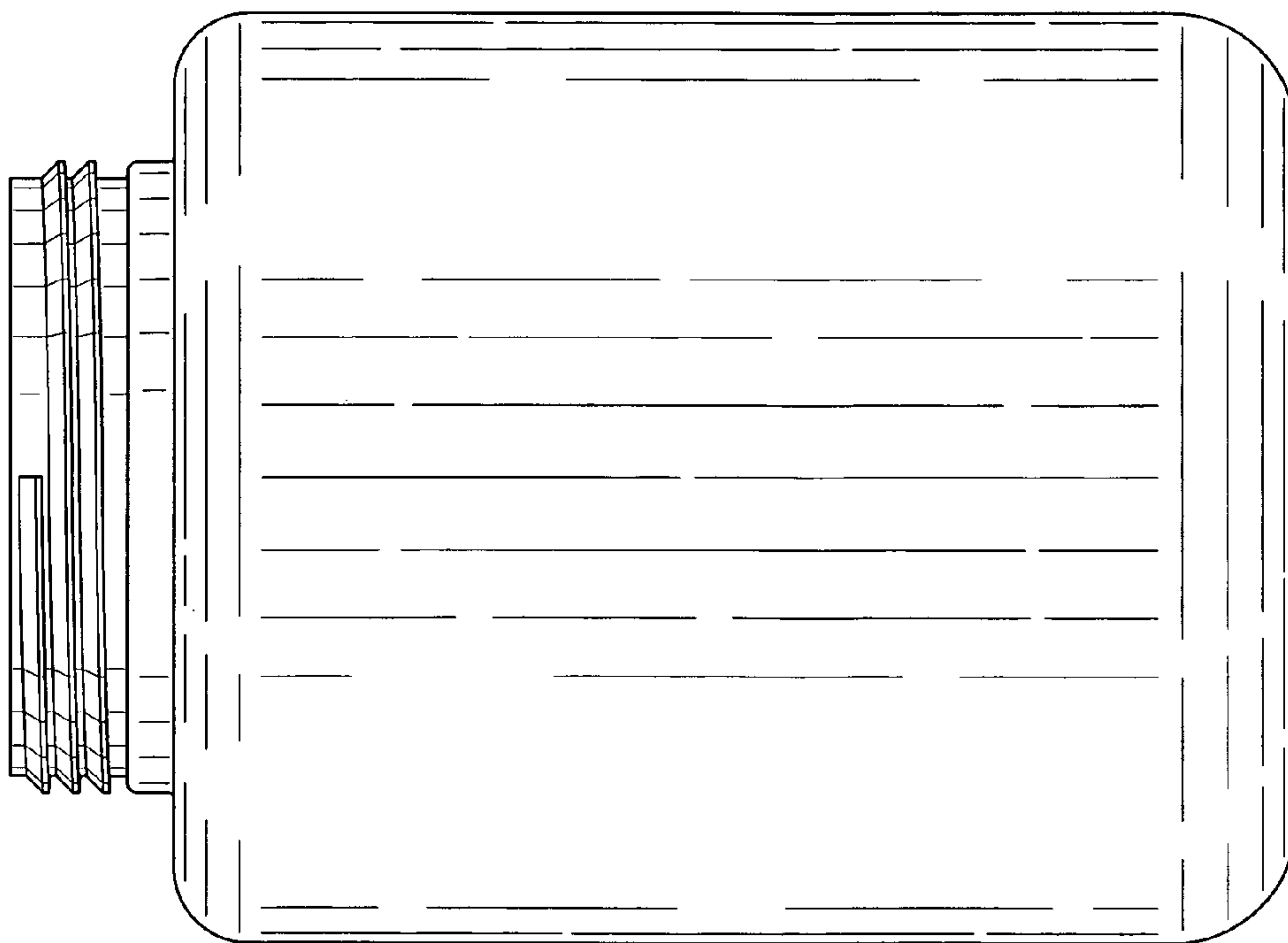


FIG. 2



FIG. 5

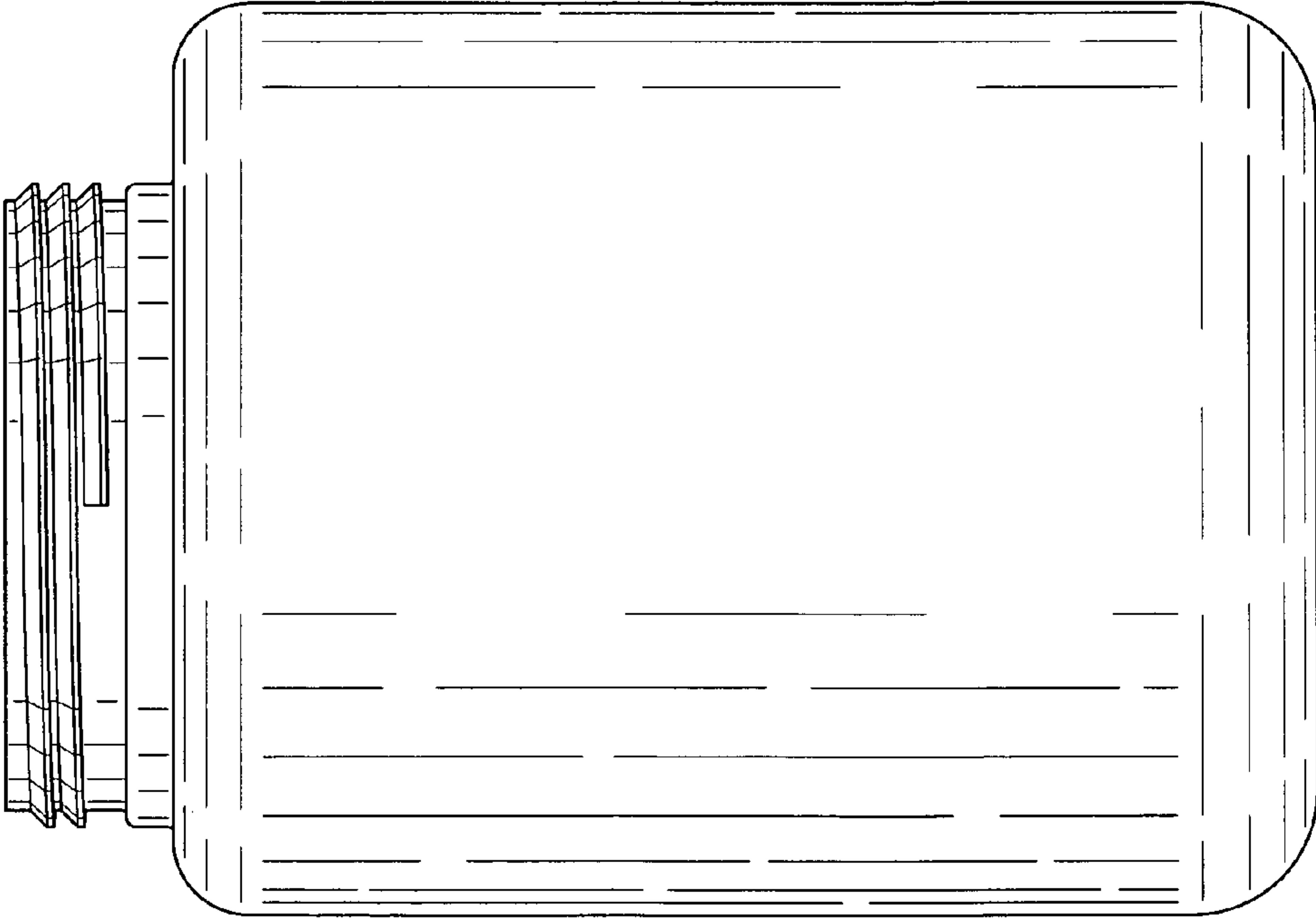


FIG. 4

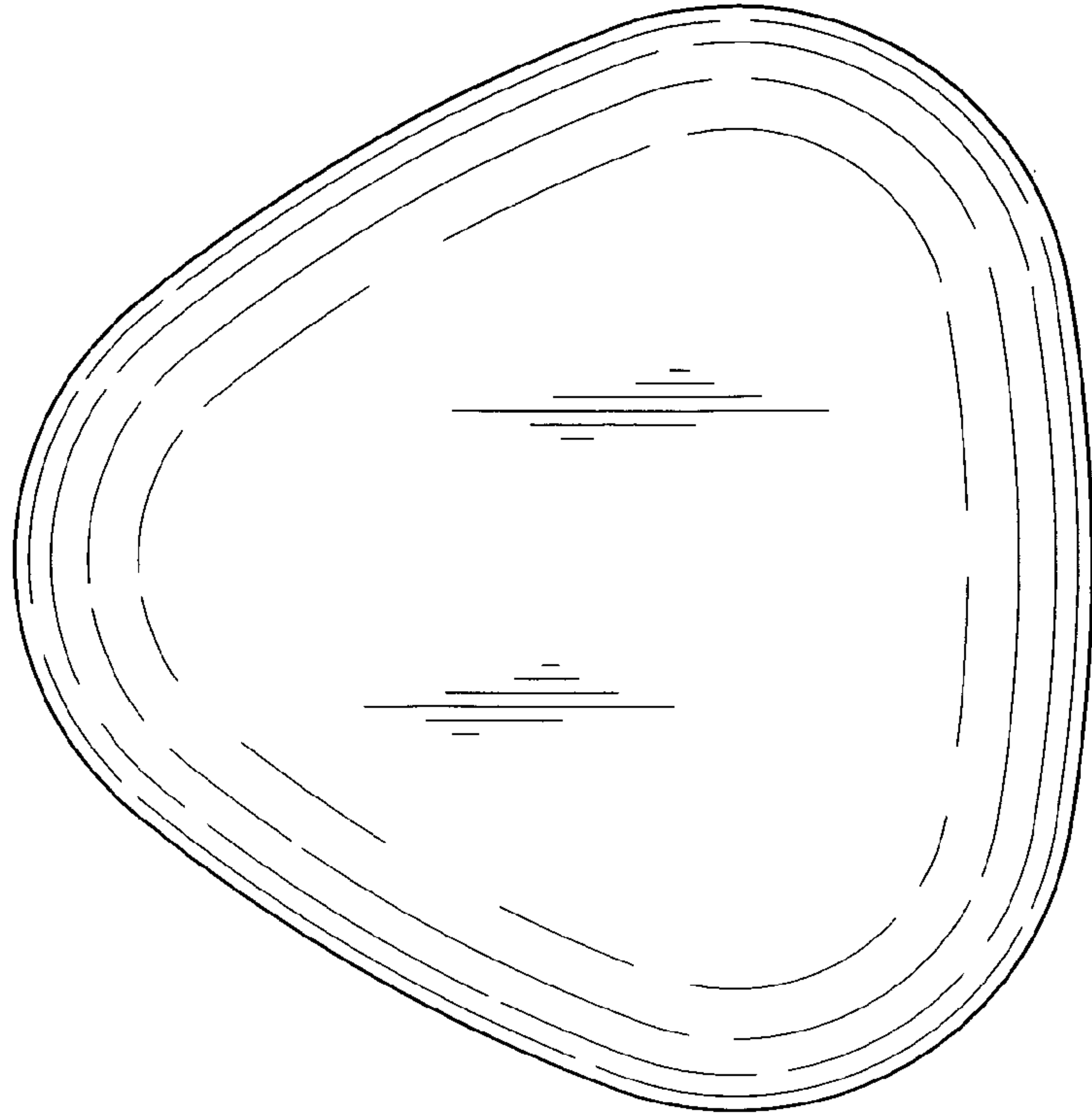


FIG. 7

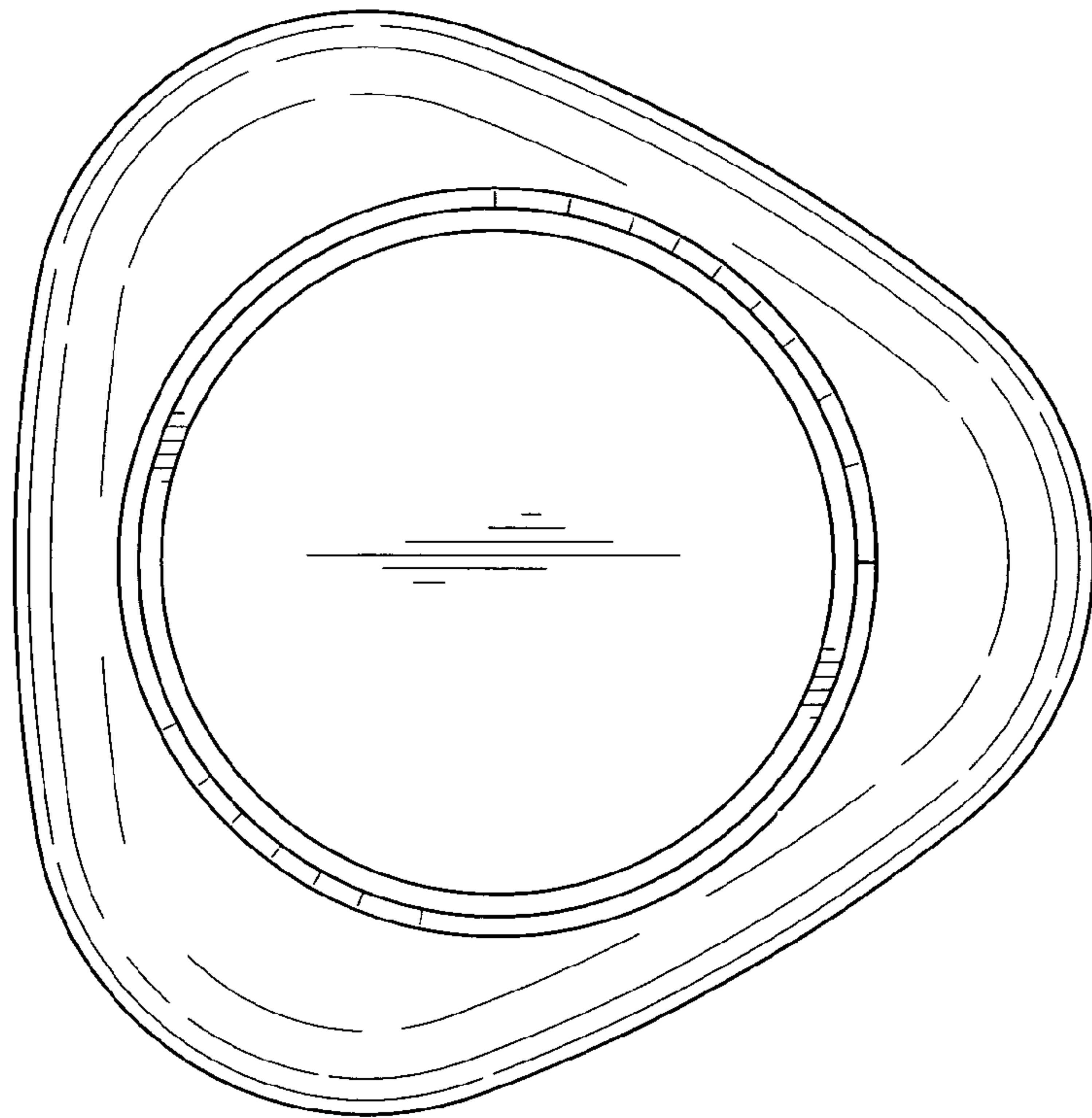


FIG. 6