



US00D653545S

(12) **United States Design Patent**
Yourist et al.

(10) **Patent No.:** **US D653,545 S**

(45) **Date of Patent:** **** Feb. 7, 2012**

(54) **CONTAINER**

(75) Inventors: **Sheldon E. Yourist**, York, PA (US);
April M. Peacock, York, PA (US)

(73) Assignee: **Graham Packaging Company, L.P.**,
York, PA (US)

(**) Term: **14 Years**

(21) Appl. No.: **29/376,931**

(22) Filed: **Oct. 14, 2010**

(51) **LOC (9) Cl.** **09-01**

(52) **U.S. Cl.** **D9/502; D9/552; D9/557**

(58) **Field of Classification Search** D9/500,
D9/502, 516, 530, 537, 539, 542, 552, 554,
D9/556-558, 564, 565, 567, 569, 570, 763,
D9/772, 773, 775-779; 215/381-385; 220/660,
220/669, 679, 752

See application file for complete search history.

(56) **References Cited**

U.S. PATENT DOCUMENTS

D67,464	S *	6/1925	Johnson	D9/552
3,685,685	A	8/1972	Phillips		
D232,080	S *	7/1974	Strand	D9/556
4,102,467	A	7/1978	Woodley		
4,880,129	A	11/1989	McHenry et al.		
4,890,759	A	1/1990	Scanga et al.		
4,948,006	A	8/1990	Okabe et al.		
5,217,737	A	6/1993	Gygax et al.		
5,234,126	A	8/1993	Jonas et al.		
D454,190	S *	3/2002	Trocola	D23/366
6,520,362	B2	2/2003	Heisel et al.		

D515,927	S *	2/2006	Smay et al.	D9/503
7,055,713	B2	6/2006	Rea et al.		
7,178,687	B1	2/2007	Manderfield, Jr. et al.		
D551,026	S *	9/2007	Morgan et al.	D7/598
D625,202	S *	10/2010	Yourist	D9/773
D632,590	S *	2/2011	Peacock	D9/773
D634,635	S *	3/2011	Araujo et al.	D9/500

OTHER PUBLICATIONS

Gilpin and Company, Inc. Plastic Packaging. Retrieved from www.gilpinezo.com/offers.html.

* cited by examiner

Primary Examiner — Stella Reid

Assistant Examiner — Keli L Hill

(74) *Attorney, Agent, or Firm* — Knoble Yoshida & Dunleavy, LLC

(57) **CLAIM**

The ornamental design for a container, as shown and described.

DESCRIPTION

FIG. 1 is a perspective view of a container, embodying our new design;

FIG. 2 second perspective view thereof;

FIG. 3 is a front elevational view thereof;

FIG. 4 is a rear elevational view thereof;

FIG. 5 is a side elevational view thereof;

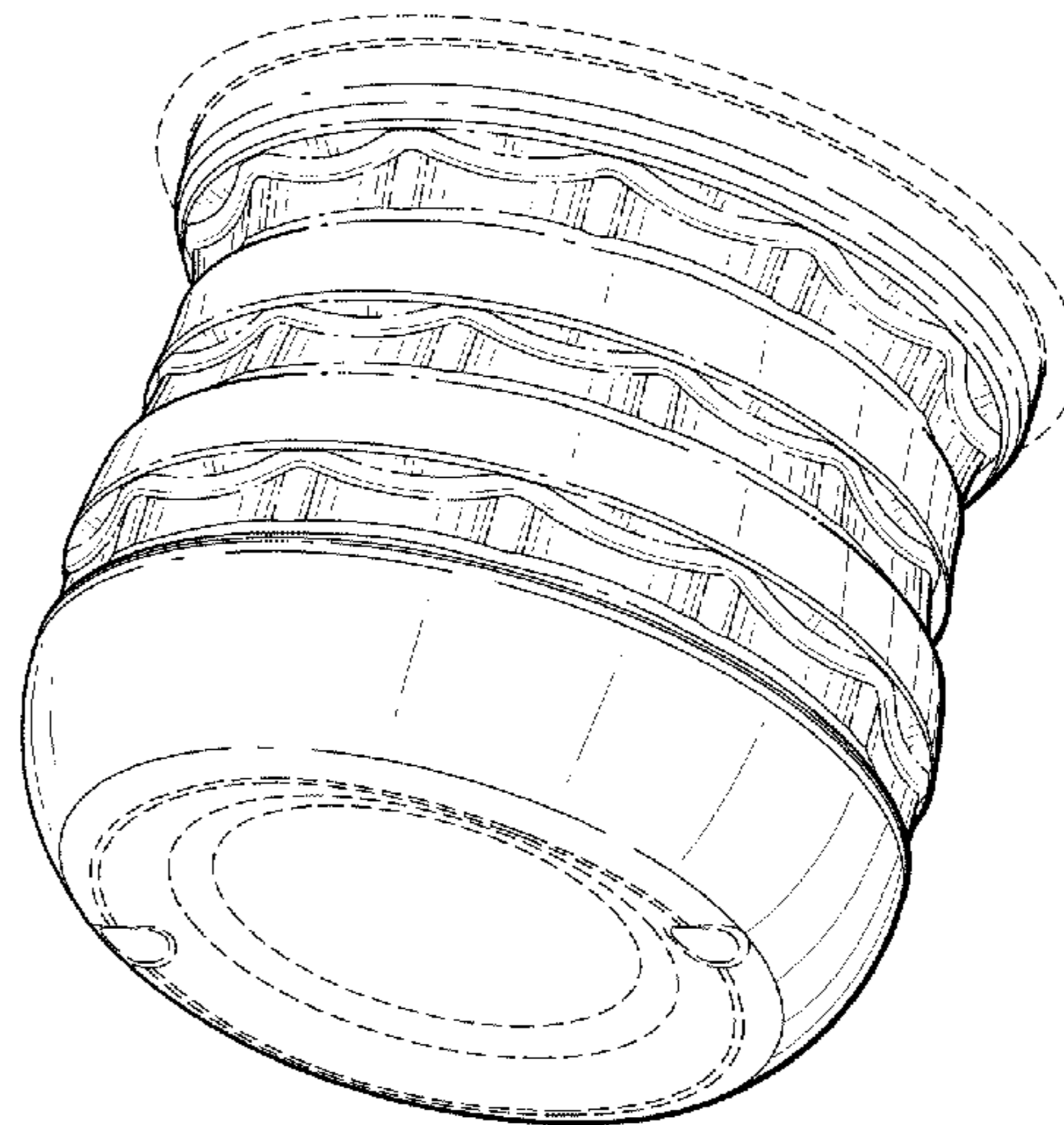
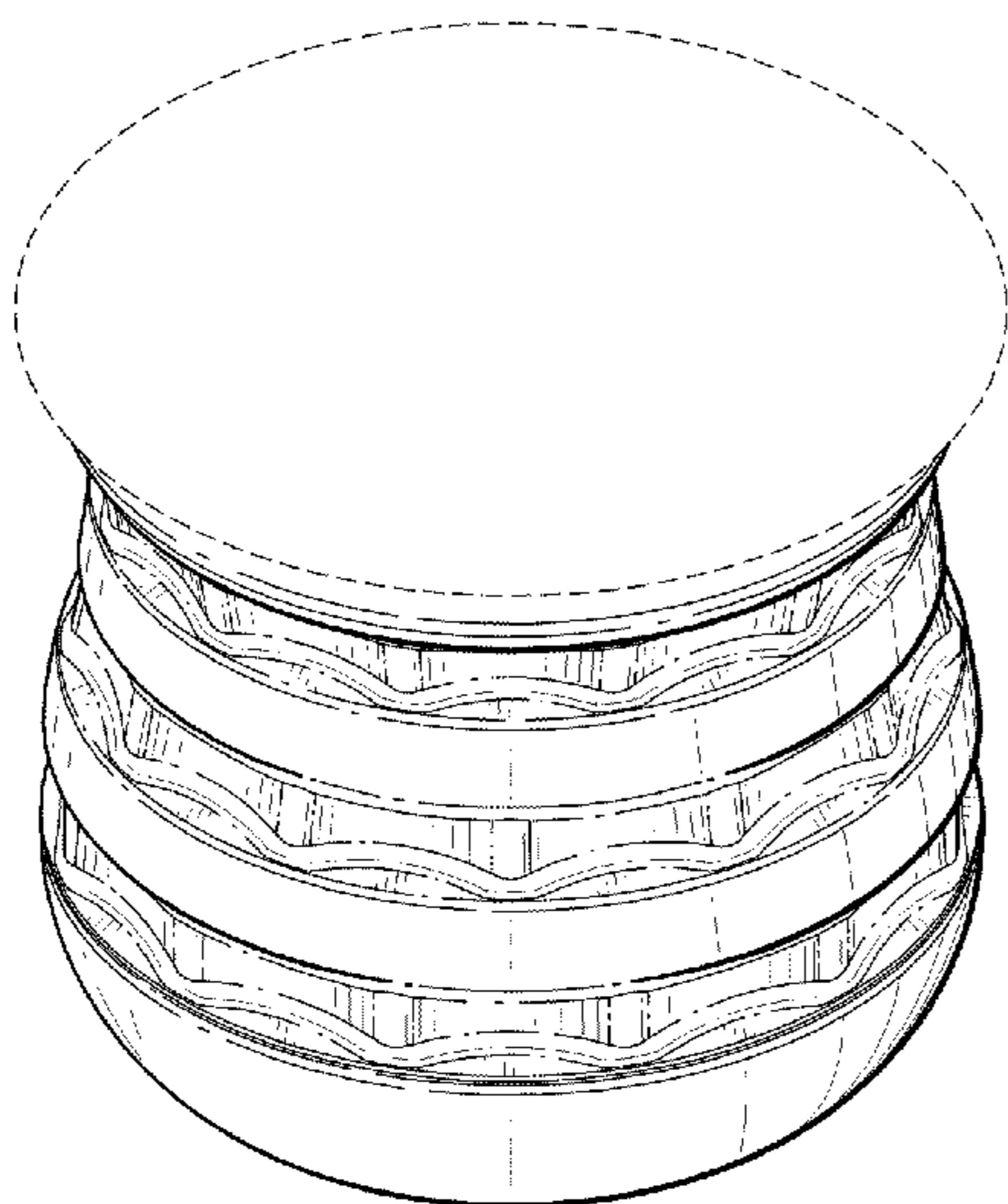
FIG. 6 is an opposite side elevational view thereof;

FIG. 7 is a top plan view thereof; and,

FIG. 8 is a bottom plan view thereof.

The broken lines shown are included for the purpose of illustrating the unclaimed portions of the article and form no part of the claim.

1 Claim, 5 Drawing Sheets



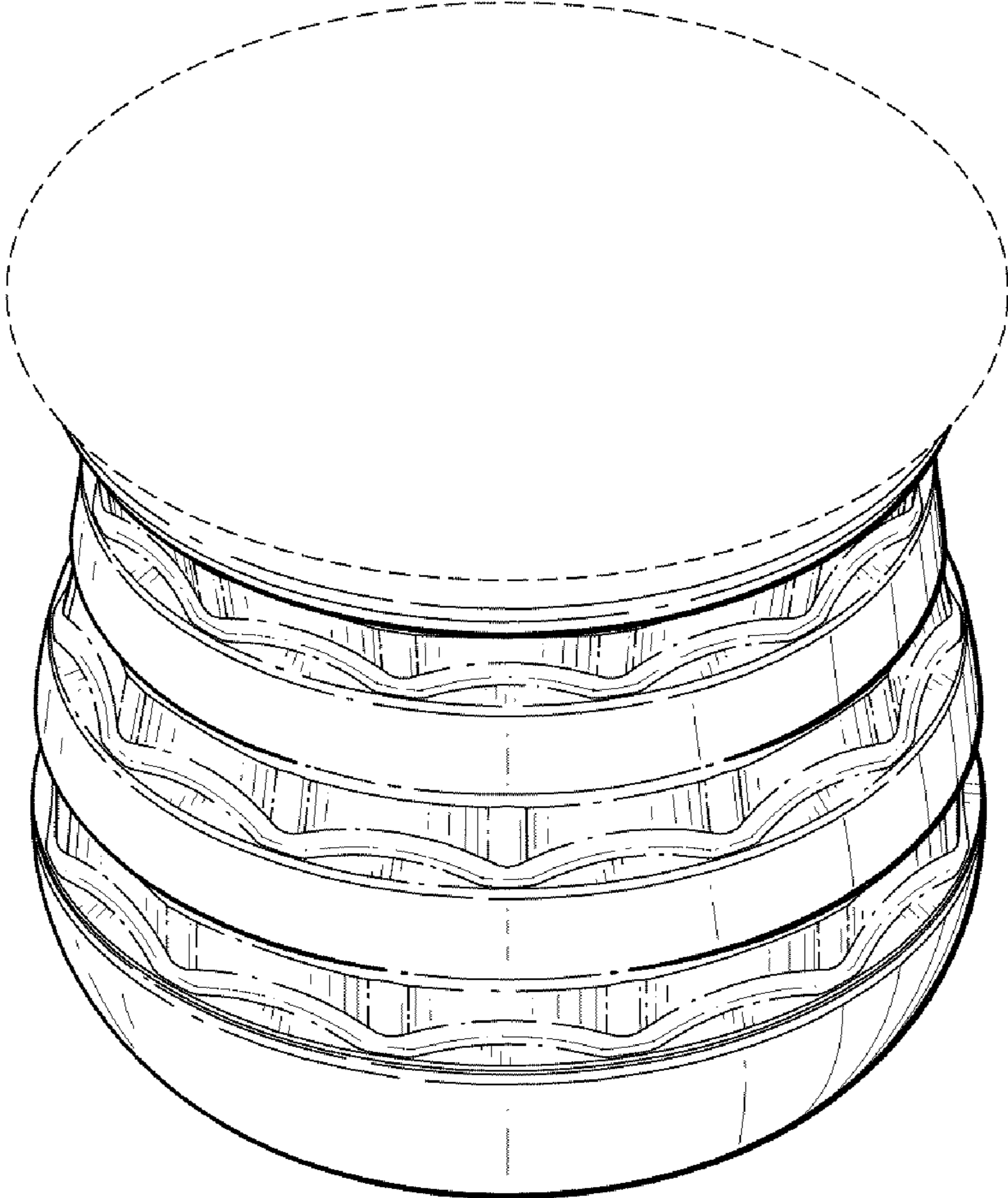


FIG. 1

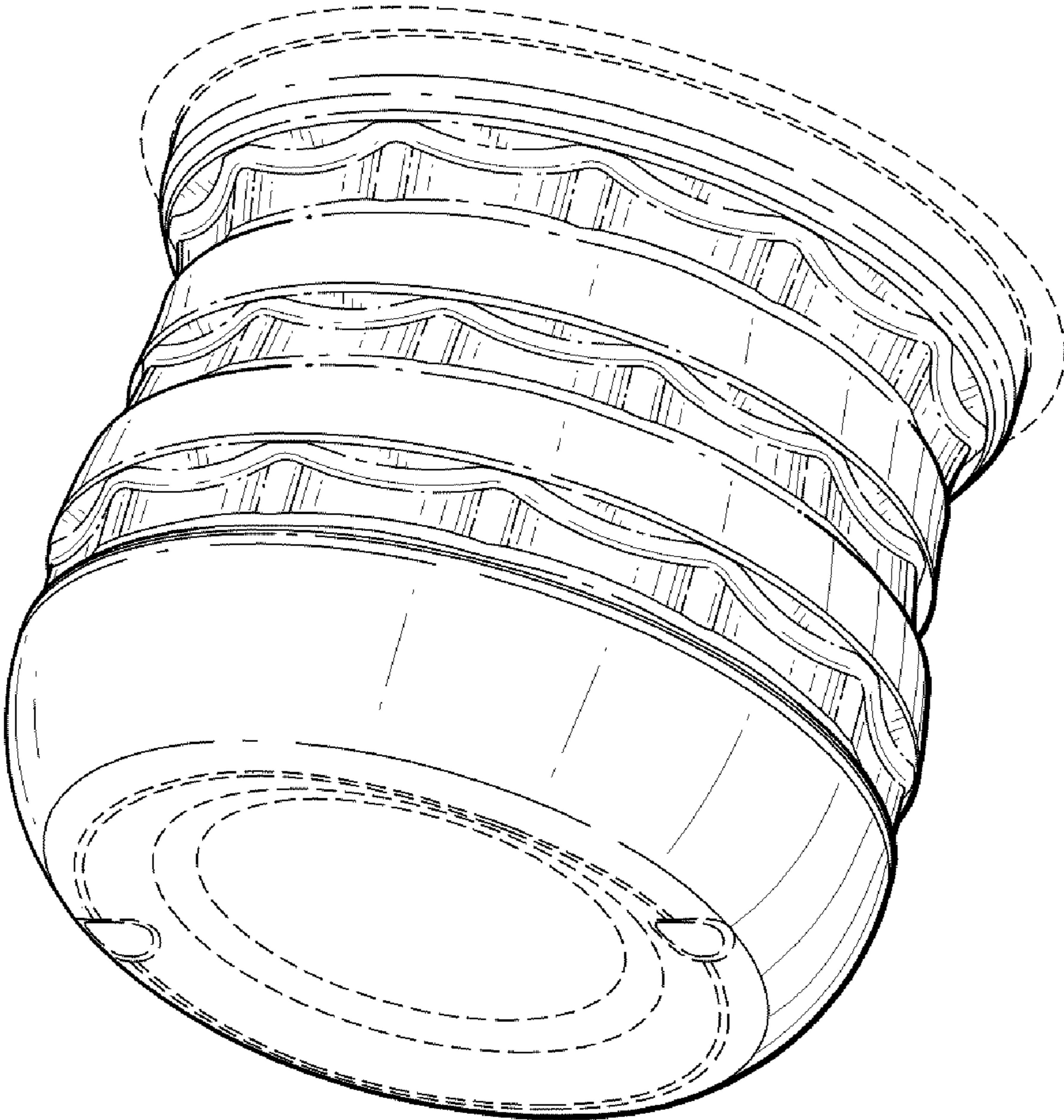


FIG. 2

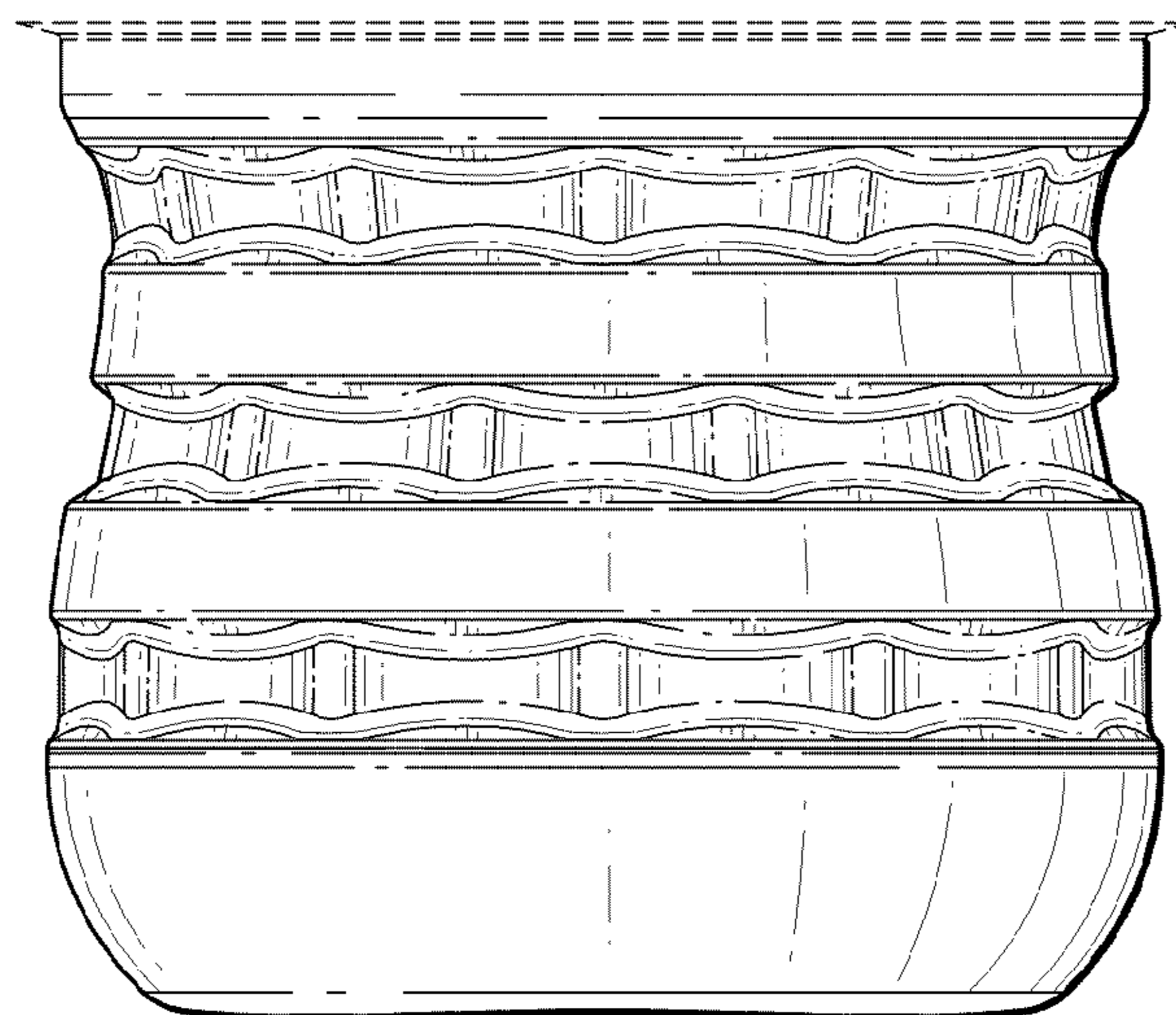


FIG. 3

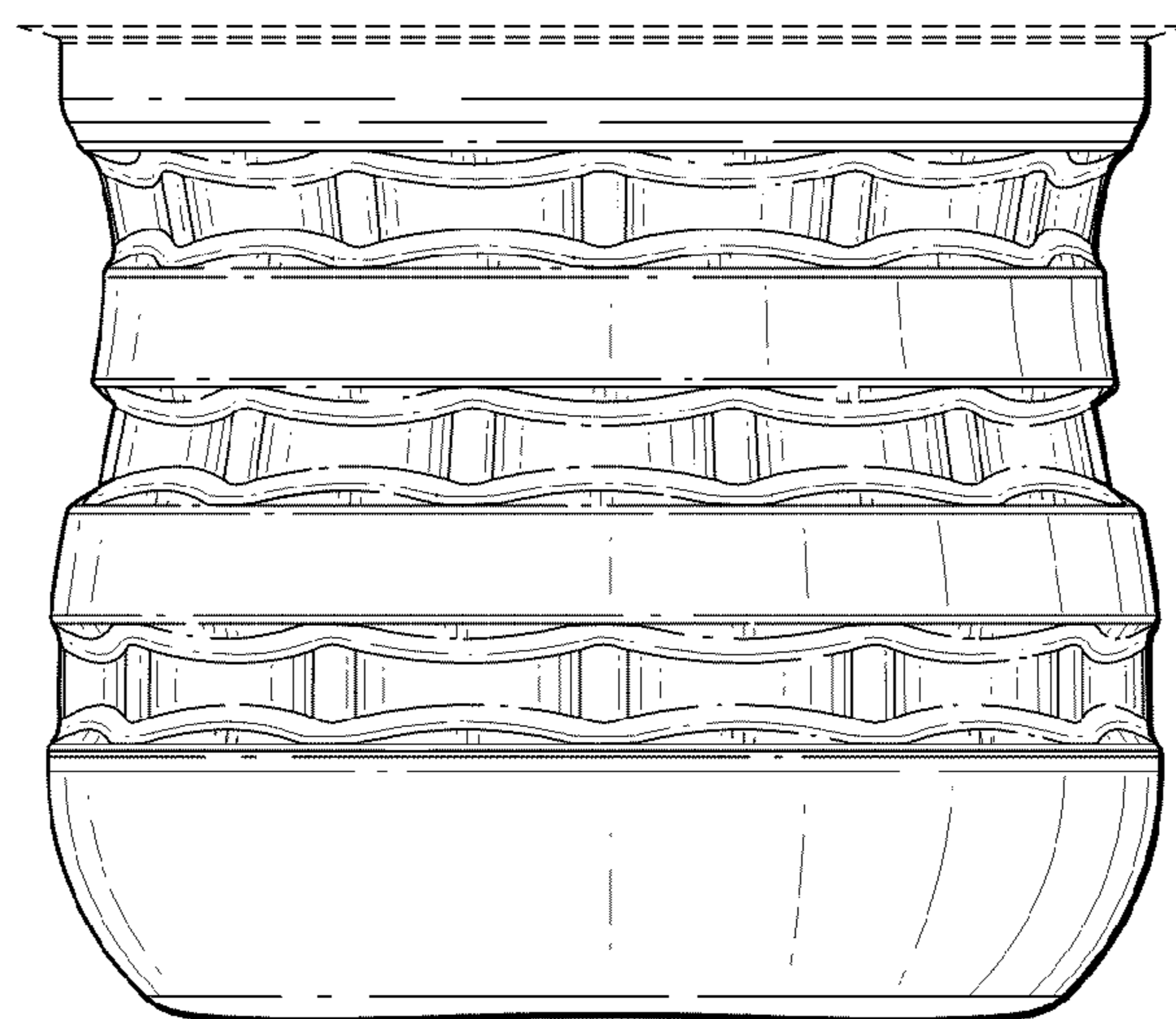


FIG. 4

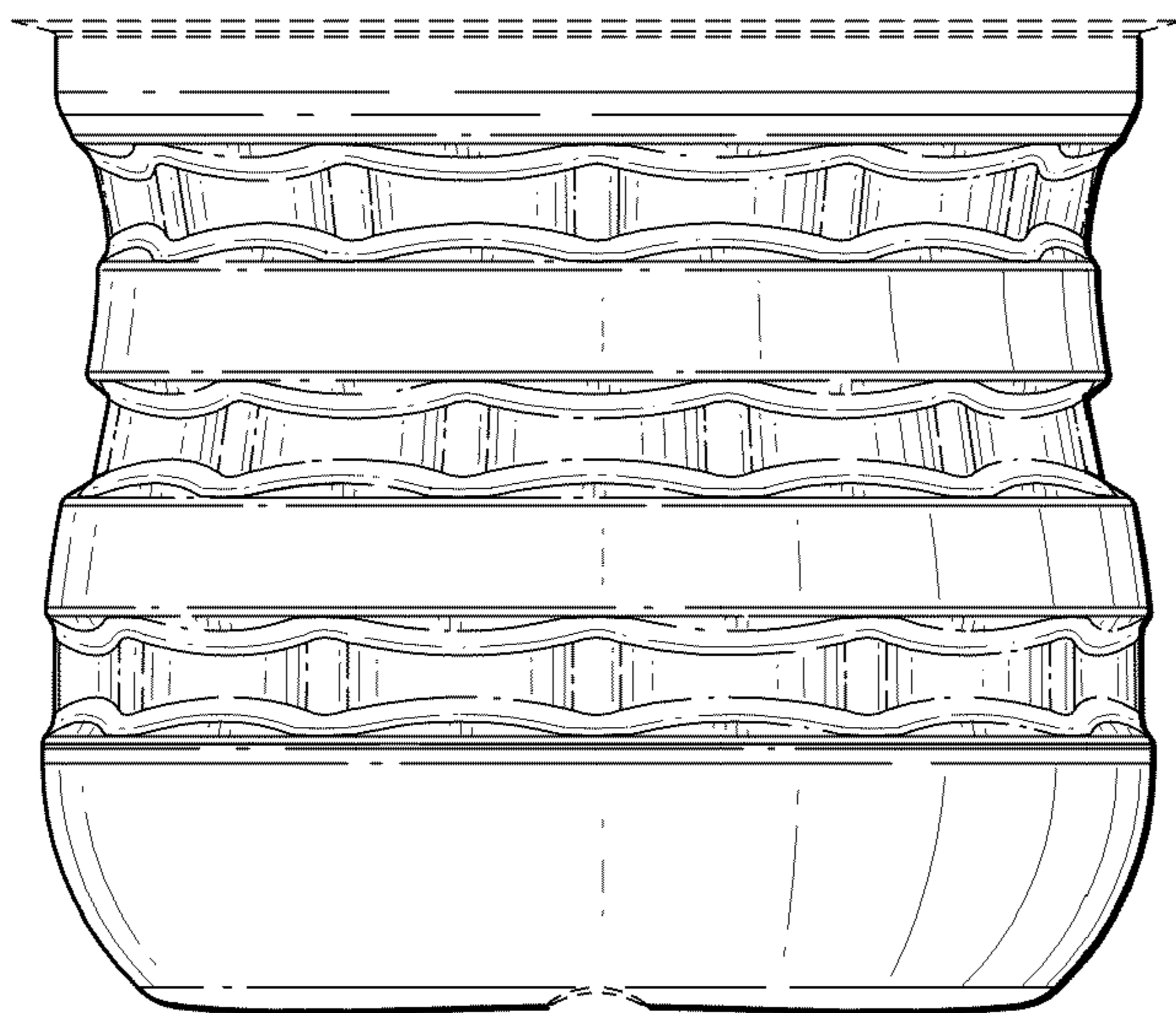


FIG. 5

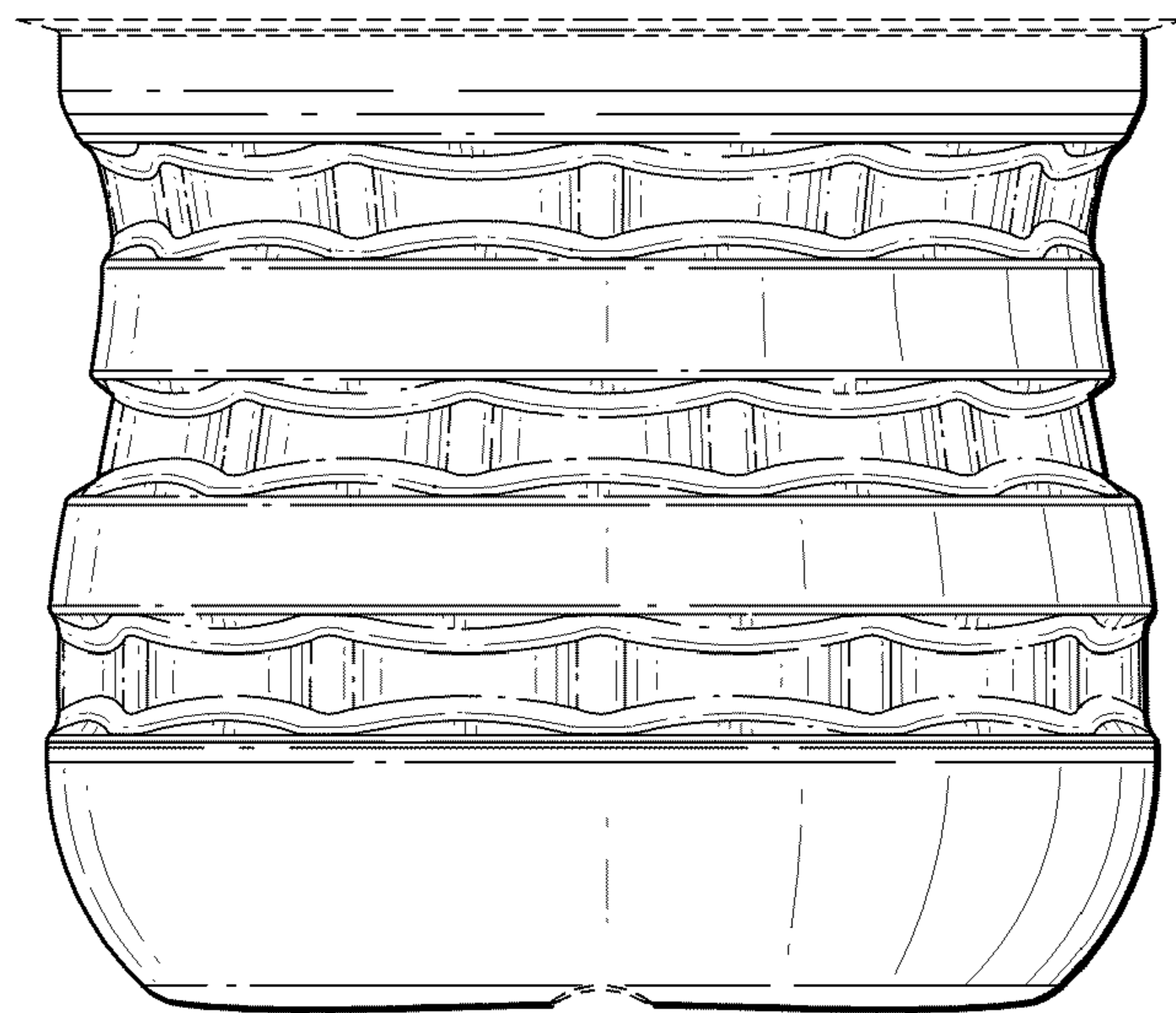


FIG. 6

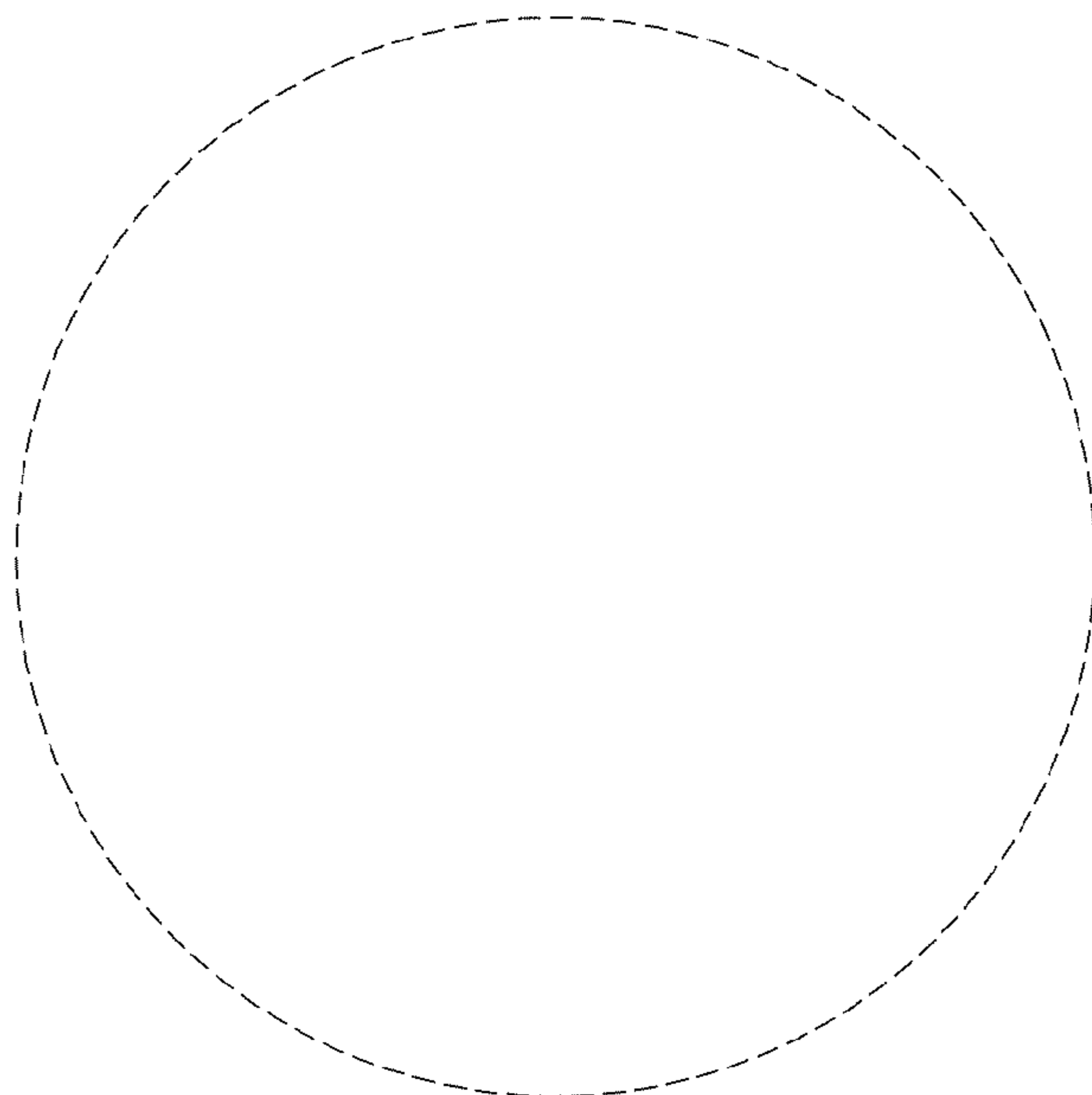


FIG. 7

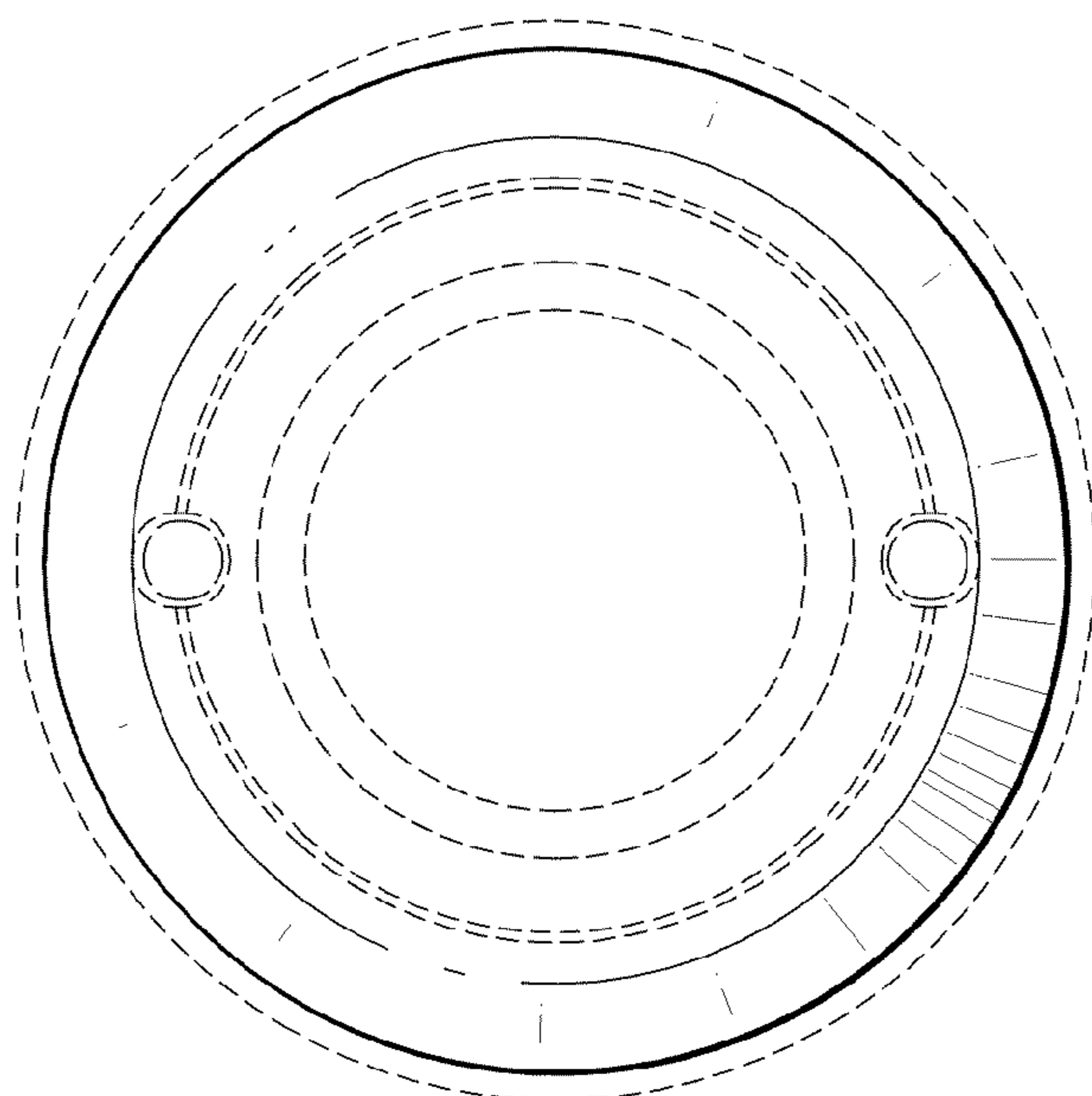


FIG. 8